



US00D977841S

(12) **United States Design Patent**
Huang

(10) **Patent No.:** **US D977,841 S**

(45) **Date of Patent:** **** Feb. 14, 2023**

(54) **PURSE ORGANIZER**

(71) Applicant: **Xiamin Huang**, Guangdong (CN)

(72) Inventor: **Xiamin Huang**, Guangdong (CN)

(**) Term: **15 Years**

(21) Appl. No.: **29/821,089**

(22) Filed: **Dec. 27, 2021**

(51) **LOC (14) Cl.** **03-01**

(52) **U.S. Cl.**
USPC **D3/319**

(58) **Field of Classification Search**
USPC D3/232–233, 245–246, 283–284,
D3/303–305, 315, 318–319, 902
CPC .. A45C 13/02; A45C 3/00; A45C 3/06; A45C
3/08; A45C 7/0086; A45C 2013/026;
A45C 7/0063

See application file for complete search history.

(56) **References Cited**

U.S. PATENT DOCUMENTS

| | | | | | |
|-----------|-----|---------|------------|-------|-----------------------|
| 3,533,459 | A * | 10/1970 | Ody | | A45C 13/02 150/113 |
| D263,899 | S * | 4/1982 | Lynn | | D3/303 |
| D595,957 | S * | 7/2009 | Meyers | | D3/232 |
| D596,847 | S * | 7/2009 | Nelson | | D3/232 |
| D600,918 | S * | 9/2009 | Carlevale | | D3/318 |
| D608,543 | S * | 1/2010 | Sammons | | D3/232 |
| D609,002 | S * | 2/2010 | Sammons | | D3/232 |
| D618,913 | S * | 7/2010 | Helmhout | | D3/318 |
| D621,620 | S * | 8/2010 | Alessandri | | D3/318 |
| D697,307 | S * | 1/2014 | Crook | | |
| D731,788 | S * | 6/2015 | Joo | | D3/233 |
| D732,294 | S * | 6/2015 | Hu | | D3/319 |
| D765,976 | S * | 9/2016 | Wood | | D3/304 |
| D785,335 | S * | 5/2017 | Halliday | | D3/319 |
| D893,193 | S * | 8/2020 | Zhu | | |
| D900,477 | S * | 11/2020 | Huang | | D3/319 |

| | | | | | |
|--------------|------|---------|---------|-------|----------------------|
| D900,478 | S * | 11/2020 | Huang | | D3/319 |
| 2008/0237068 | A1 * | 10/2008 | Melamed | | A45C 11/04 206/5 |
| 2013/0201666 | A1 * | 8/2013 | Melamed | | A45C 3/08 362/184 |

* cited by examiner

Primary Examiner — Jennifer L Watkins

Assistant Examiner — Samantha Lynne Brodowski

(74) *Attorney, Agent, or Firm* — True Shepherd, LLC;
Andrew Cheng

(57) **CLAIM**

The ornamental design for a purse organizer, as shown and described.

DESCRIPTION

FIG. 1 is a front, right and top perspective view of a purse organizer, showing my design.

FIG. 2 is a front elevation view thereof.

FIG. 3 is a rear elevation view thereof.

FIG. 4 is a left side elevation view thereof.

FIG. 5 is a right side elevation view thereof.

FIG. 6 is a top plan view thereof.

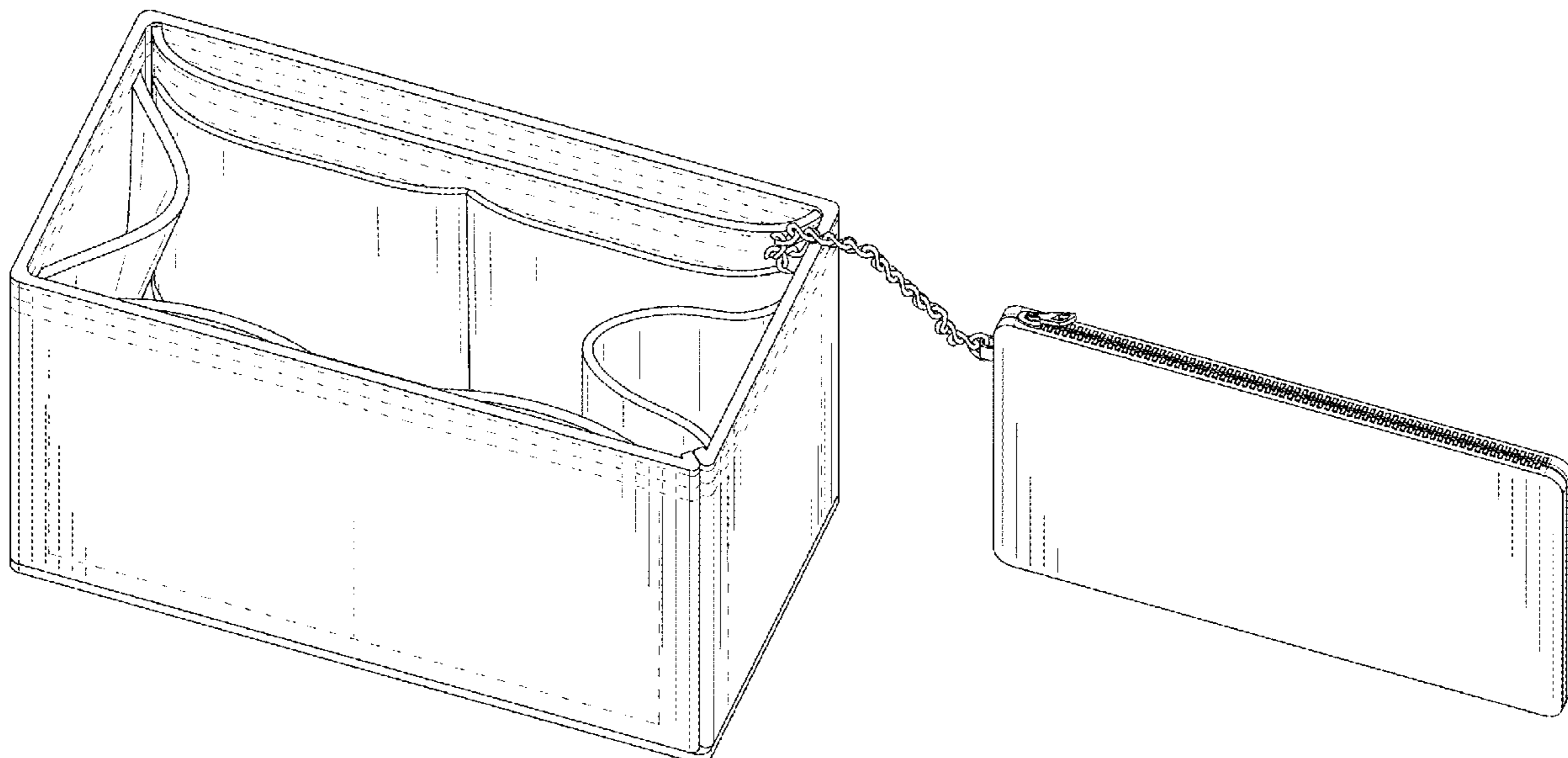
FIG. 7 is a bottom plan view thereof.

FIG. 8 is another front, right and top perspective view of the purse organizer of FIG. 1 in a usable state; and,

FIG. 9 is another front, right and top perspective view of the purse organizer of FIG. 1 in another usable state.

The broken lines shown in FIGS. 1-5 and 7-9 represent stitching of the article and form no part of the claimed design. The broken lines shown in FIG. 6 depict portions of the purse organizer and form no part of the claimed design. In FIG. 6, the surfaces without shading, adjacent to broken lines form no part of the claim.

1 Claim, 9 Drawing Sheets



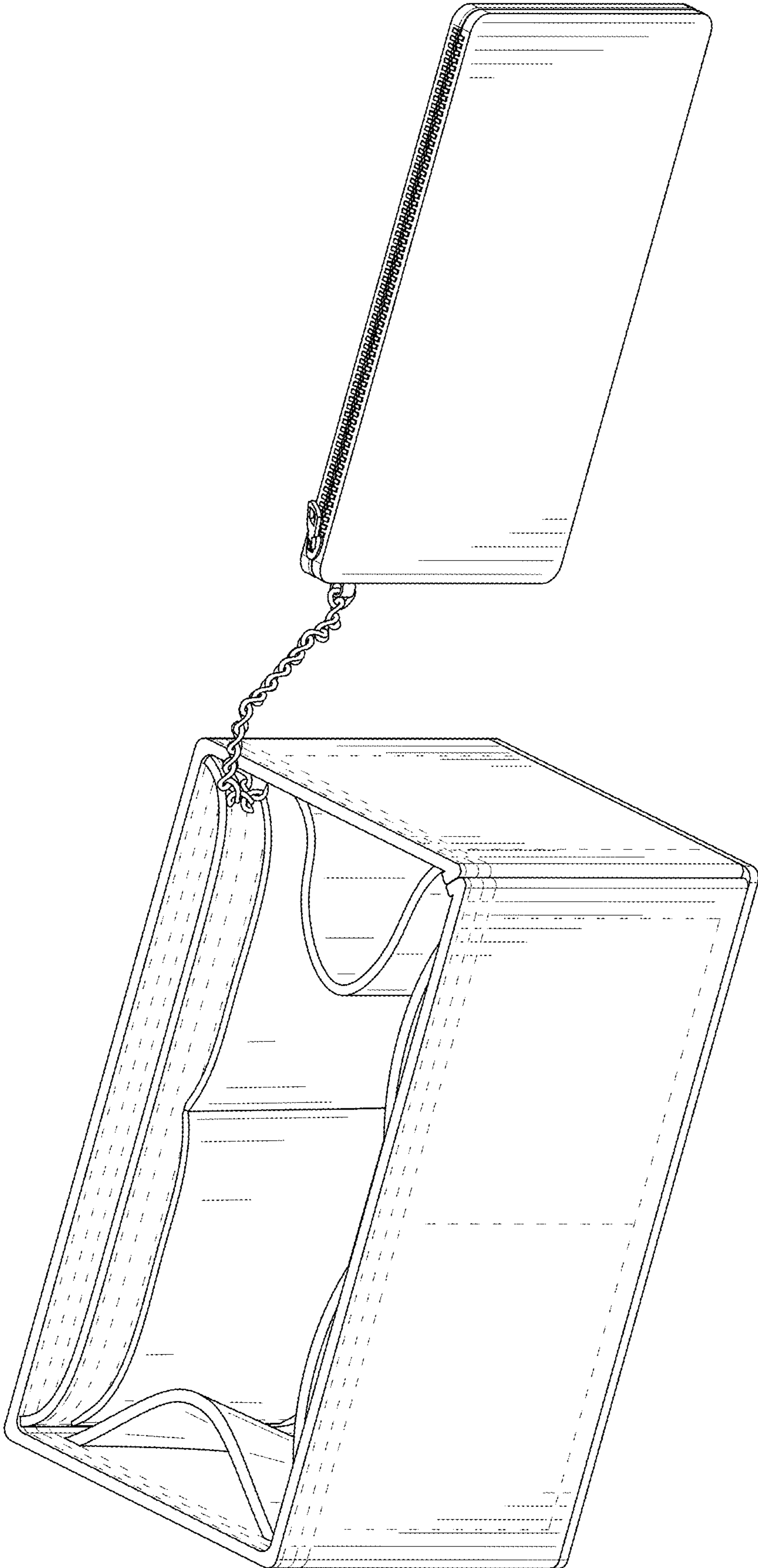


FIG. 1

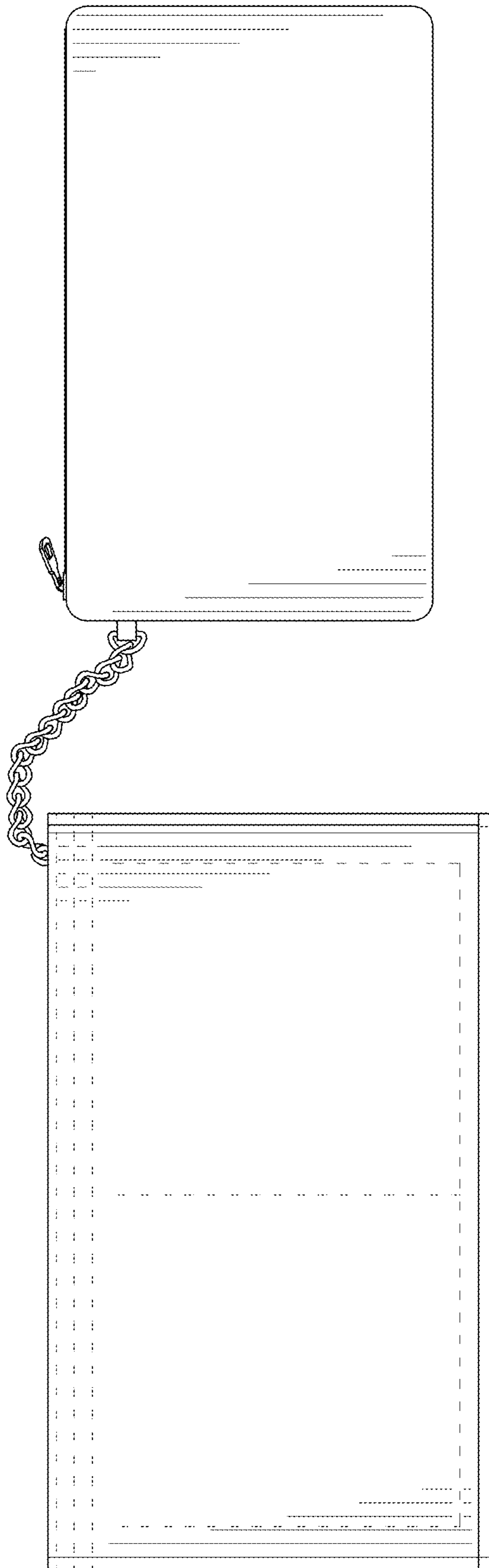


FIG. 2

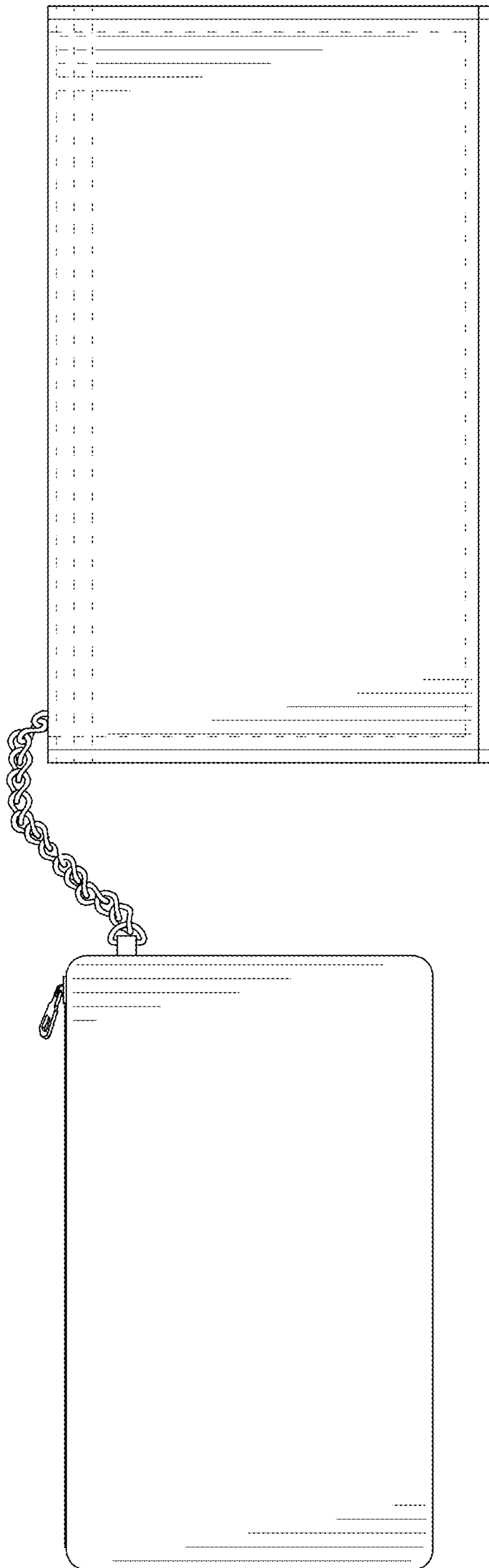


FIG. 3

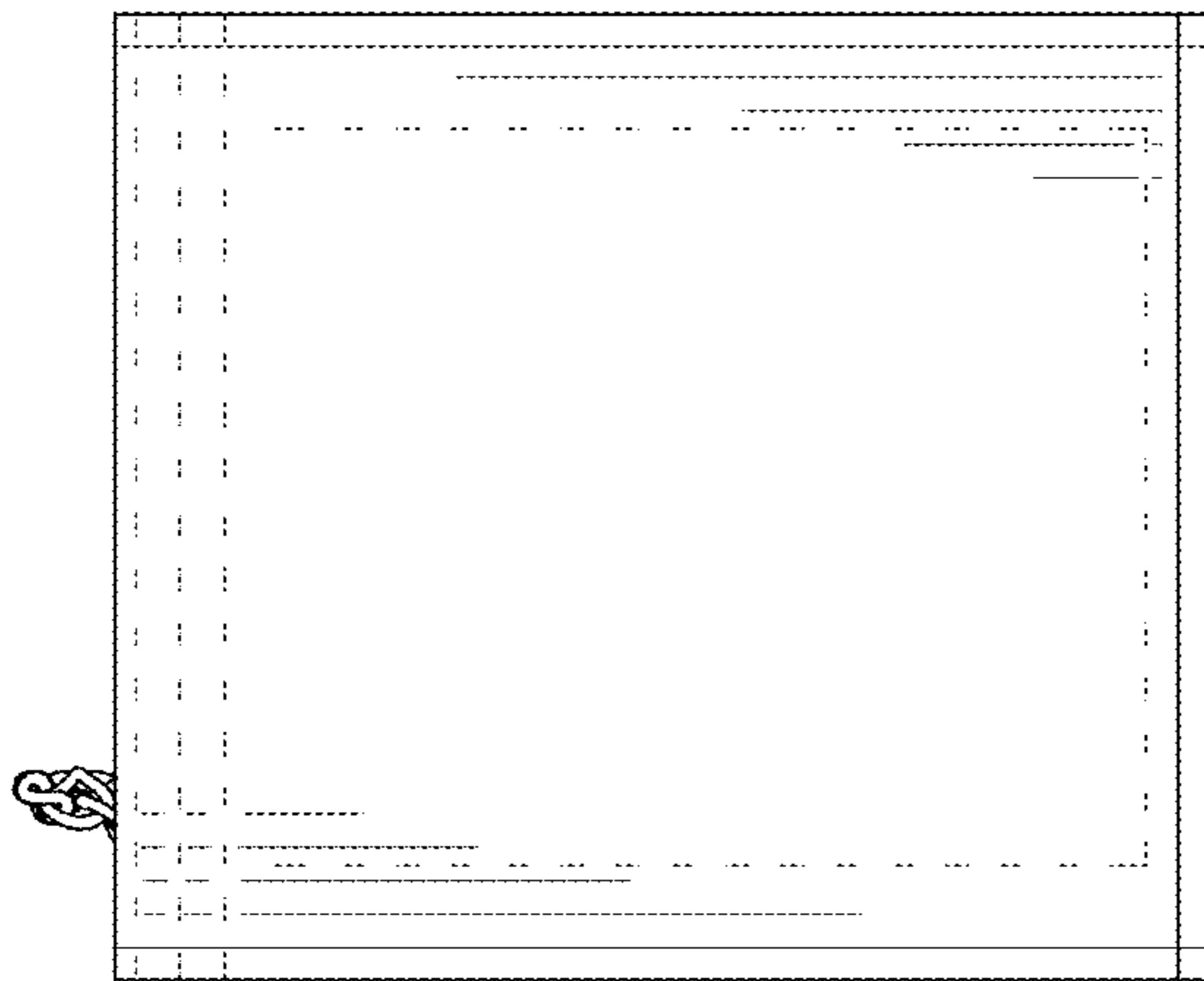


FIG. 4

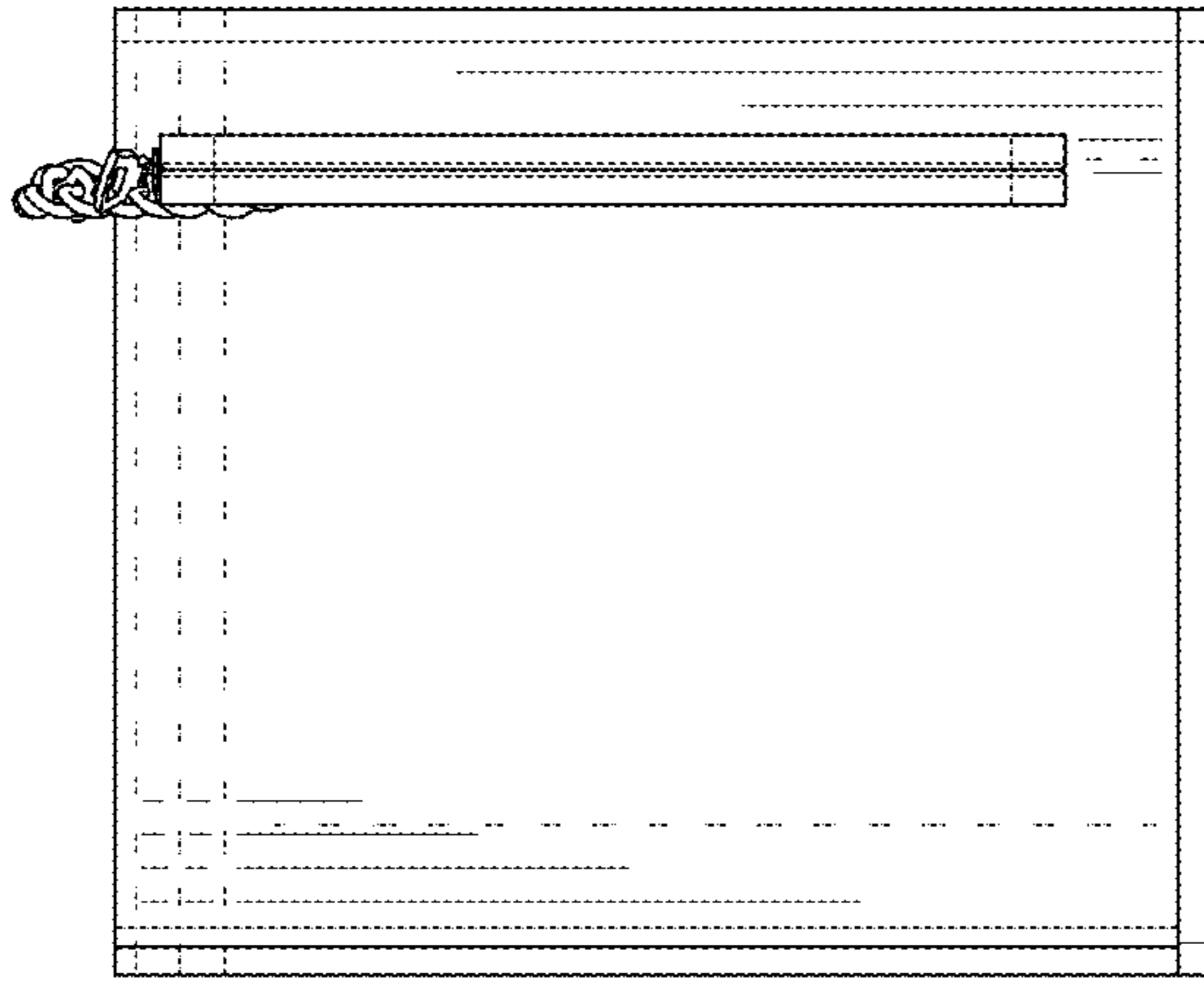


FIG. 5

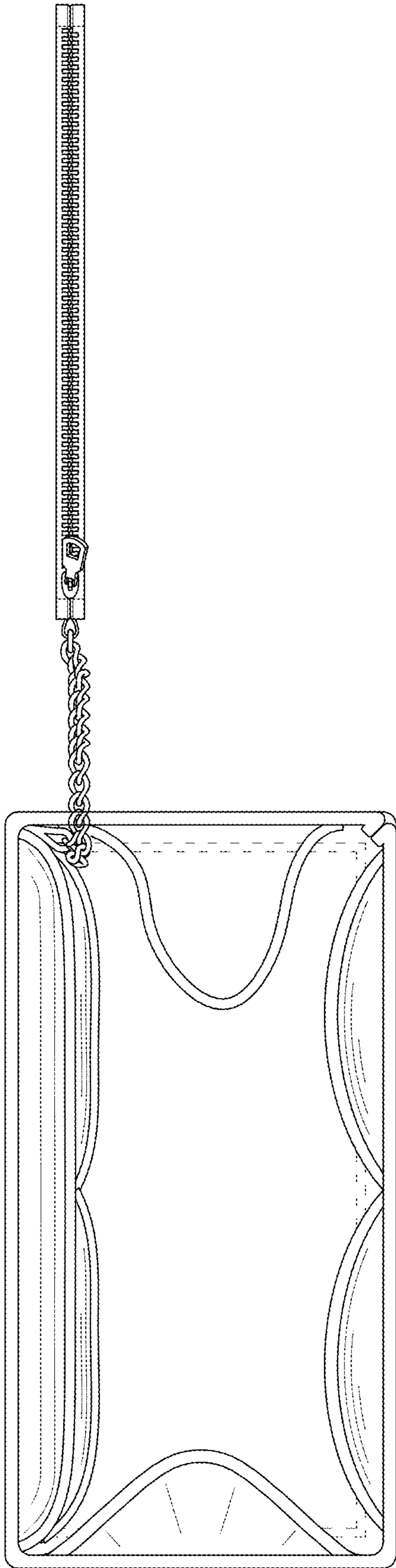


FIG. 6

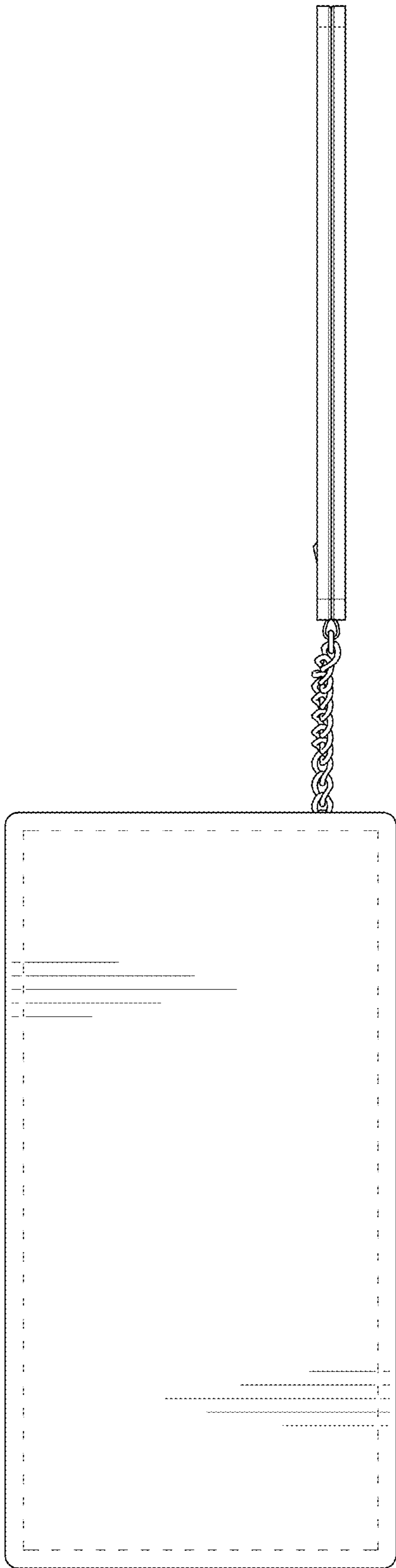


FIG. 7

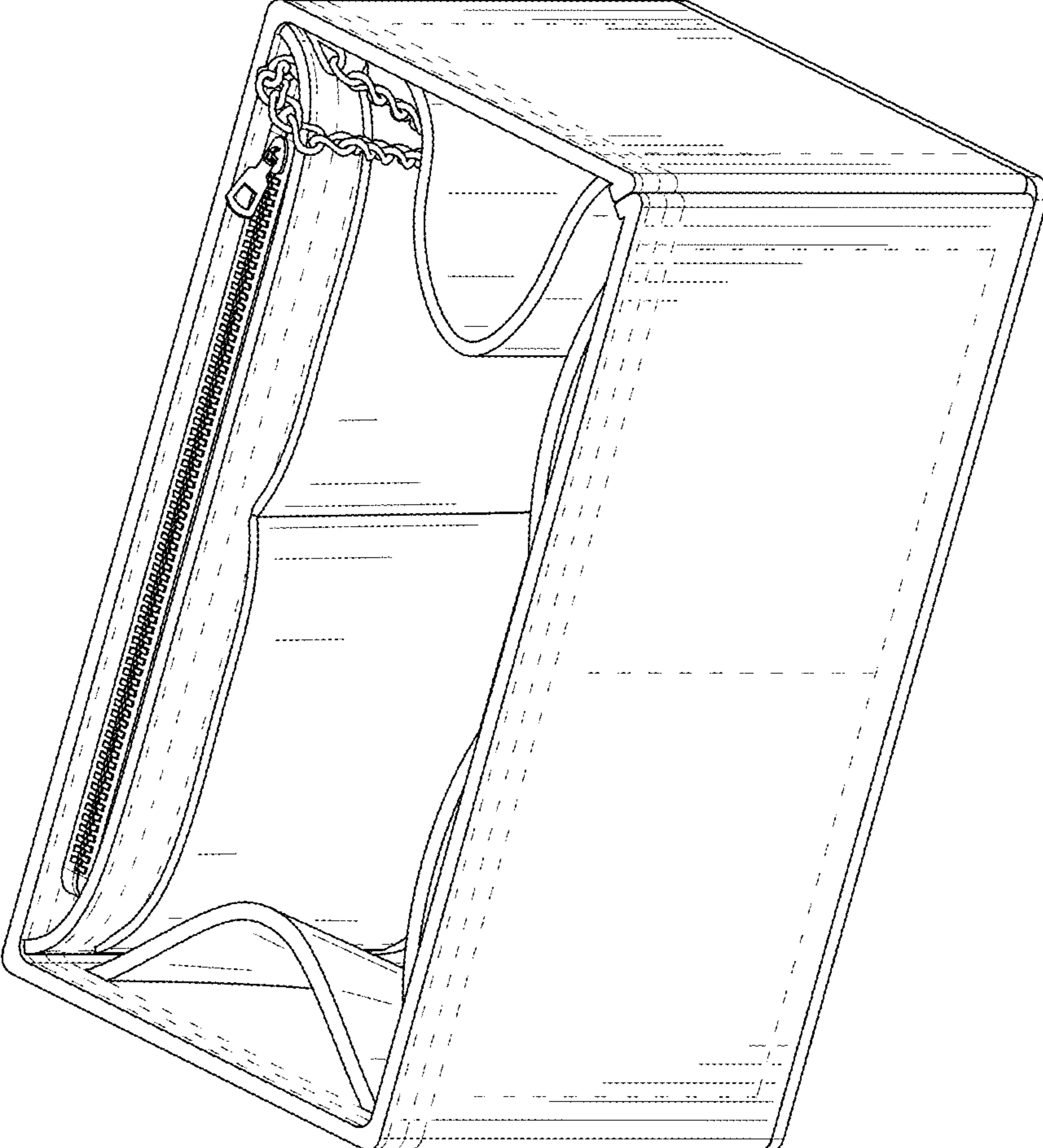


FIG. 8

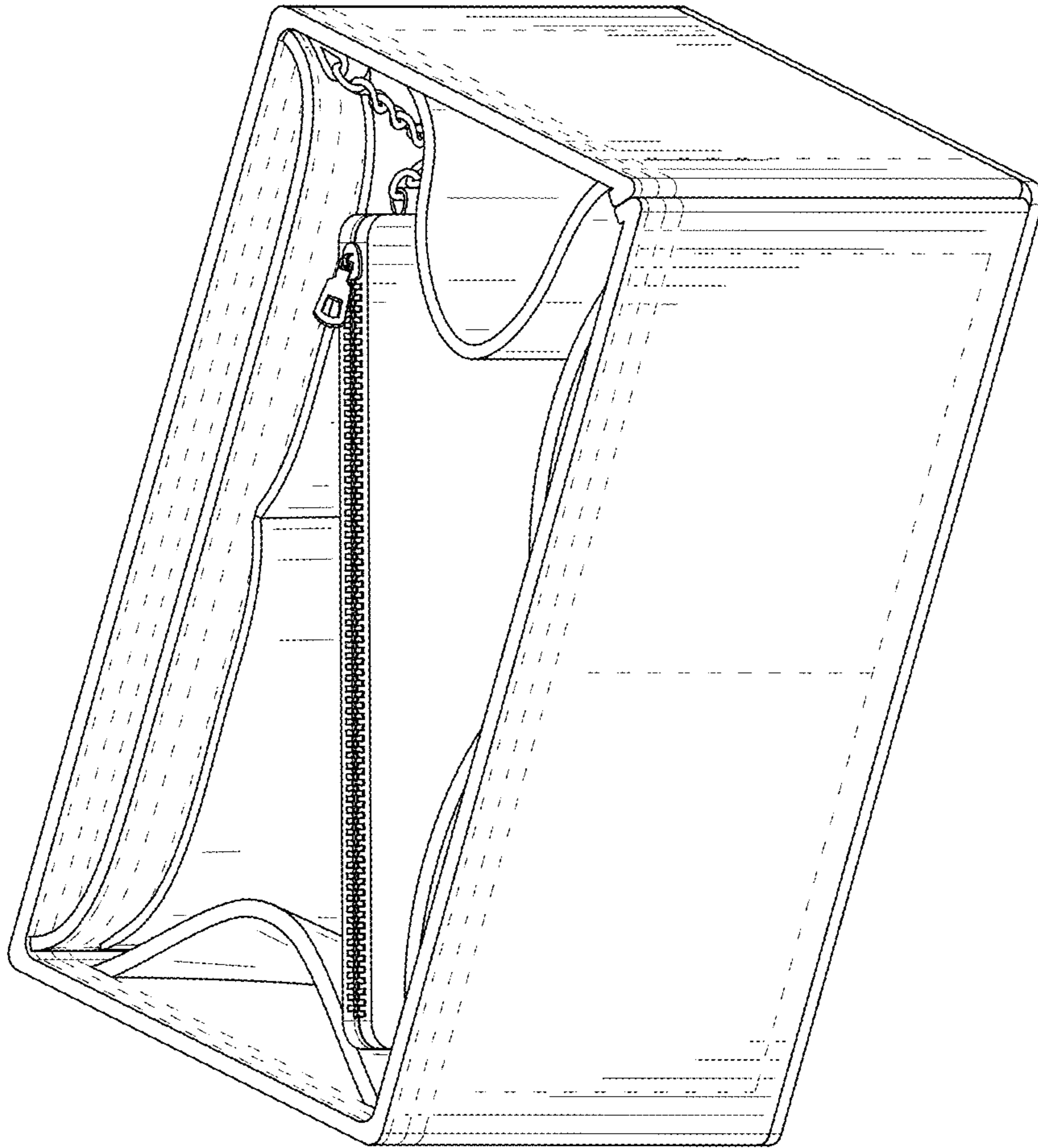


FIG. 9