



US00D977840S

(12) **United States Design Patent**
Roy

(10) **Patent No.:** **US D977,840 S**
(45) **Date of Patent:** **** Feb. 14, 2023**

(54) **RETRACTABLE WHEEL BASE**

DESCRIPTION

- (71) Applicant: **Switch, Ltd.**, Las Vegas, NV (US)
- (72) Inventor: **Rob Roy**, Las Vegas, NV (US)
- (73) Assignee: **Switch, Ltd.**, Las Vegas, NV (US)
- (**) Term: **15 Years**
- (21) Appl. No.: **29/730,028**
- (22) Filed: **Mar. 31, 2020**
- (51) **LOC (14) Cl.** **03-01**
- (52) **U.S. Cl.**
USPC **D3/318**
- (58) **Field of Classification Search**
USPC D3/318-319, 328, 273, 279-280
CPC A45C 13/385; A45C 5/14; A45C 5/146;
B62B 1/10; B62B 1/24
See application file for complete search history.

(56) **References Cited**

U.S. PATENT DOCUMENTS

- 4,381 A * 2/1846 Little B62B 1/10
188/23
- 3,923,318 A * 12/1975 Renard A45C 13/385
280/35
- D346,953 S * 5/1994 Scicluna D3/279
- 5,480,169 A * 1/1996 Wang A45C 5/14
280/37
- D491,368 S * 6/2004 Koenig D3/318
- 6,964,420 B1 * 11/2005 Ghanizadeh A45C 13/10
190/110
- D582,678 S * 12/2008 Rekuc D8/375

(Continued)

Primary Examiner — Michelle E. Wilson
Assistant Examiner — Caitlin A Laverty
(74) *Attorney, Agent, or Firm* — Weide & Miller, Ltd.

(57) **CLAIM**

The ornamental design for a retractable wheel base, as shown and described.

FIG. 1 is a perspective view of the retractable wheel base in accordance with a first, retracted configuration of the present invention;

FIG. 2 is a rear, bottom perspective view of the retractable wheel base of FIG. 1;

FIG. 3 is a rear elevational view of the retractable wheel base of FIG. 1;

FIG. 4 is a front elevational view of the retractable wheel base of FIG. 1;

FIG. 5 is a right-side elevational view of the retractable wheel base of FIG. 1;

FIG. 6 is a left-side elevational view of the retractable wheel base of FIG. 1;

FIG. 7 is a bottom plan view of the retractable wheel base of FIG. 1;

FIG. 8 is a top plan view of the retractable wheel base of FIG. 1;

FIG. 9 is an alternate perspective view of the retractable wheel base in accordance with a second, expanded configuration of the present invention;

FIG. 10 is a rear, bottom perspective view of the retractable wheel base of FIG. 9;

FIG. 11 is a rear elevational view of the retractable wheel base of FIG. 9;

FIG. 12 is a front elevational view of the retractable wheel base of FIG. 9;

FIG. 13 is a right elevational view of the retractable wheel base of FIG. 9;

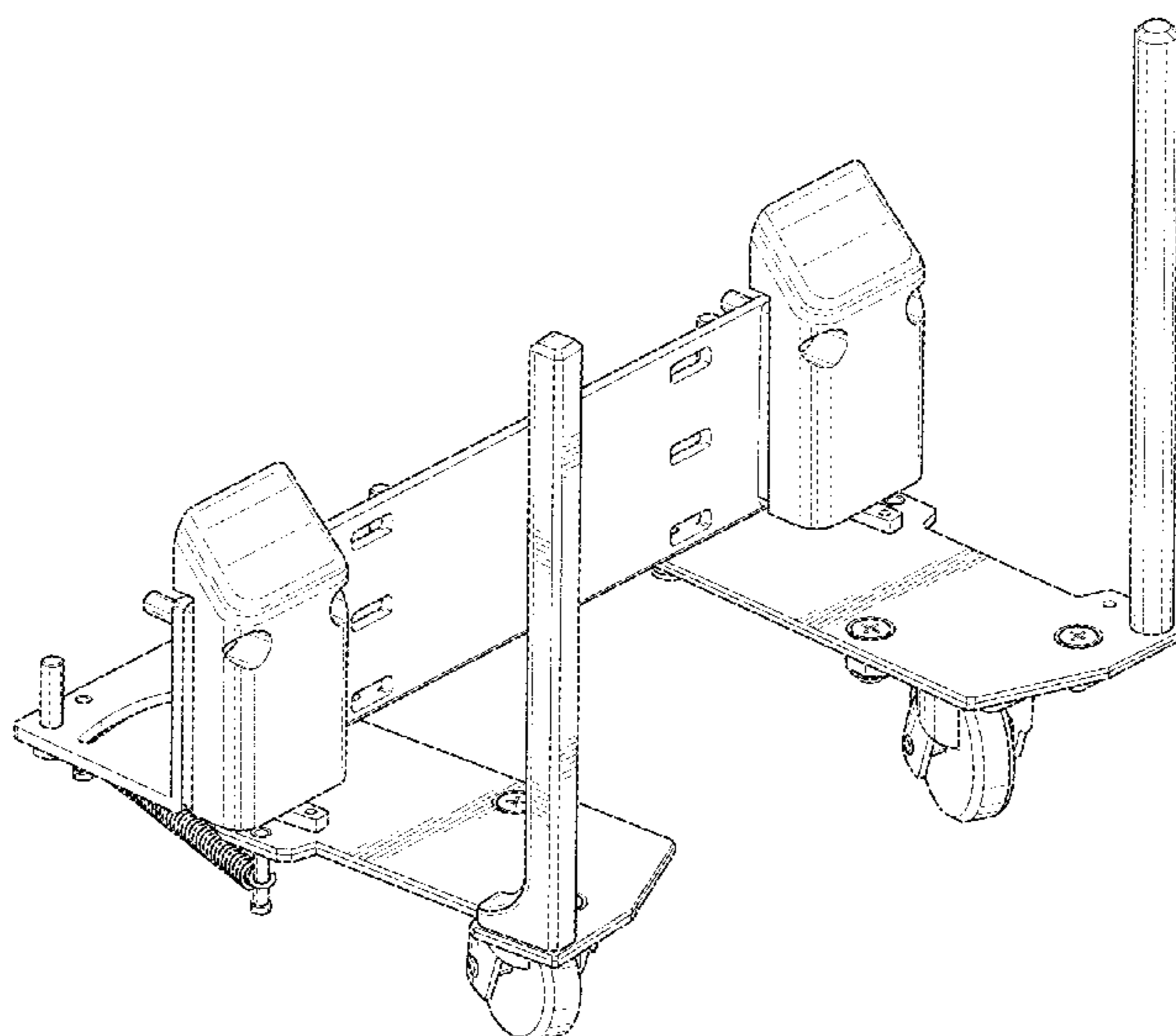
FIG. 14 is a left elevational view of the retractable wheel base of FIG. 9;

FIG. 15 is a bottom plan view of the retractable wheel base of FIG. 9; and,

FIG. 16 is a top plan view of the retractable wheel base of FIG. 9.

The broken lines depict portions of the retractable wheel base that form no part of the claimed design.

1 Claim, 14 Drawing Sheets



(56)

References Cited

U.S. PATENT DOCUMENTS

D752,344 S * 3/2016 Green D3/279
10,966,498 B1 * 4/2021 Quirk A45C 13/385
2008/0056867 A1 * 3/2008 Zuckerman B66F 9/141
414/458
2016/0121915 A1 * 5/2016 Mkandawire H05K 7/1488
414/277
2021/0403068 A1 * 12/2021 Cho A45C 5/146

* cited by examiner

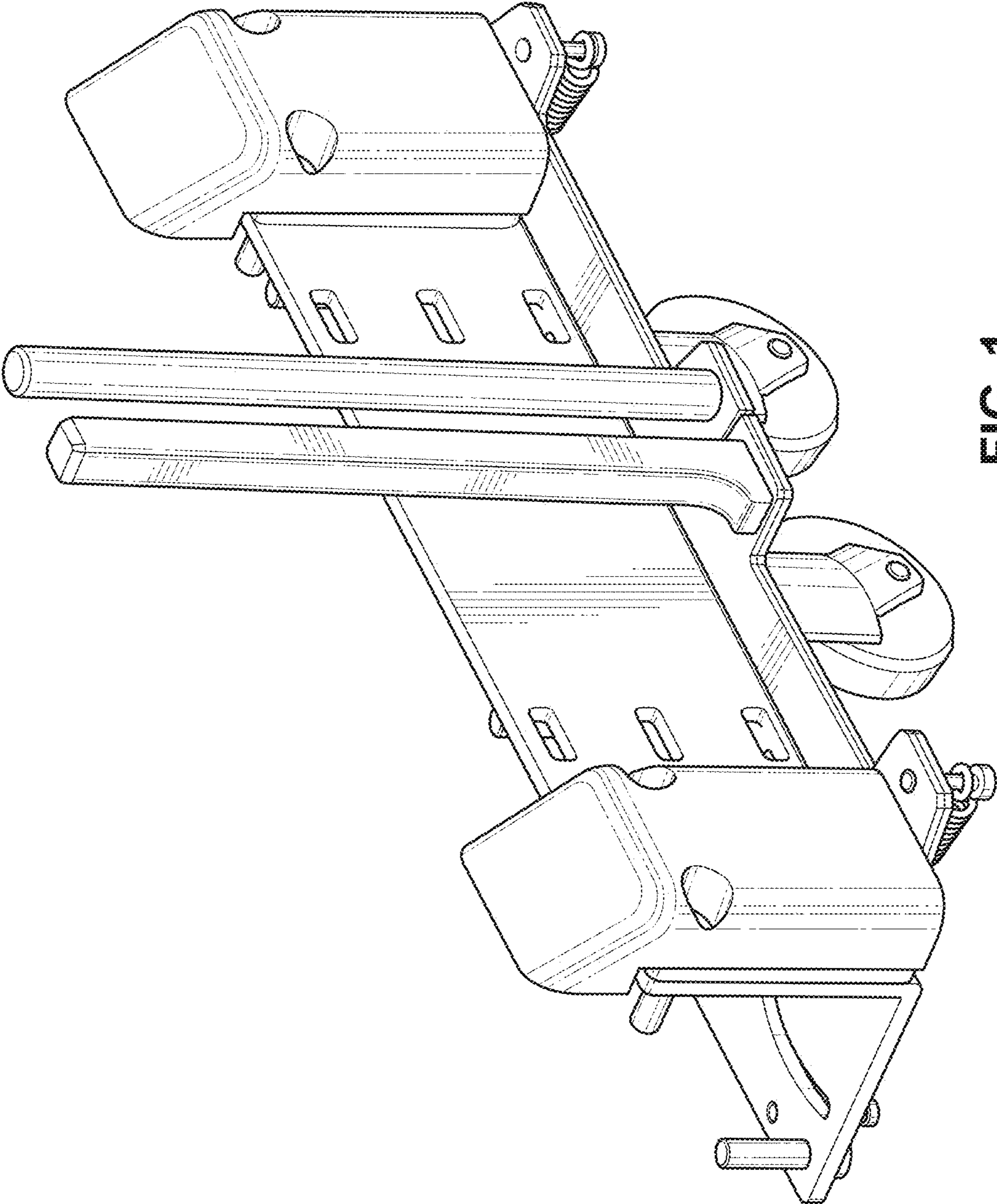


FIG. 1

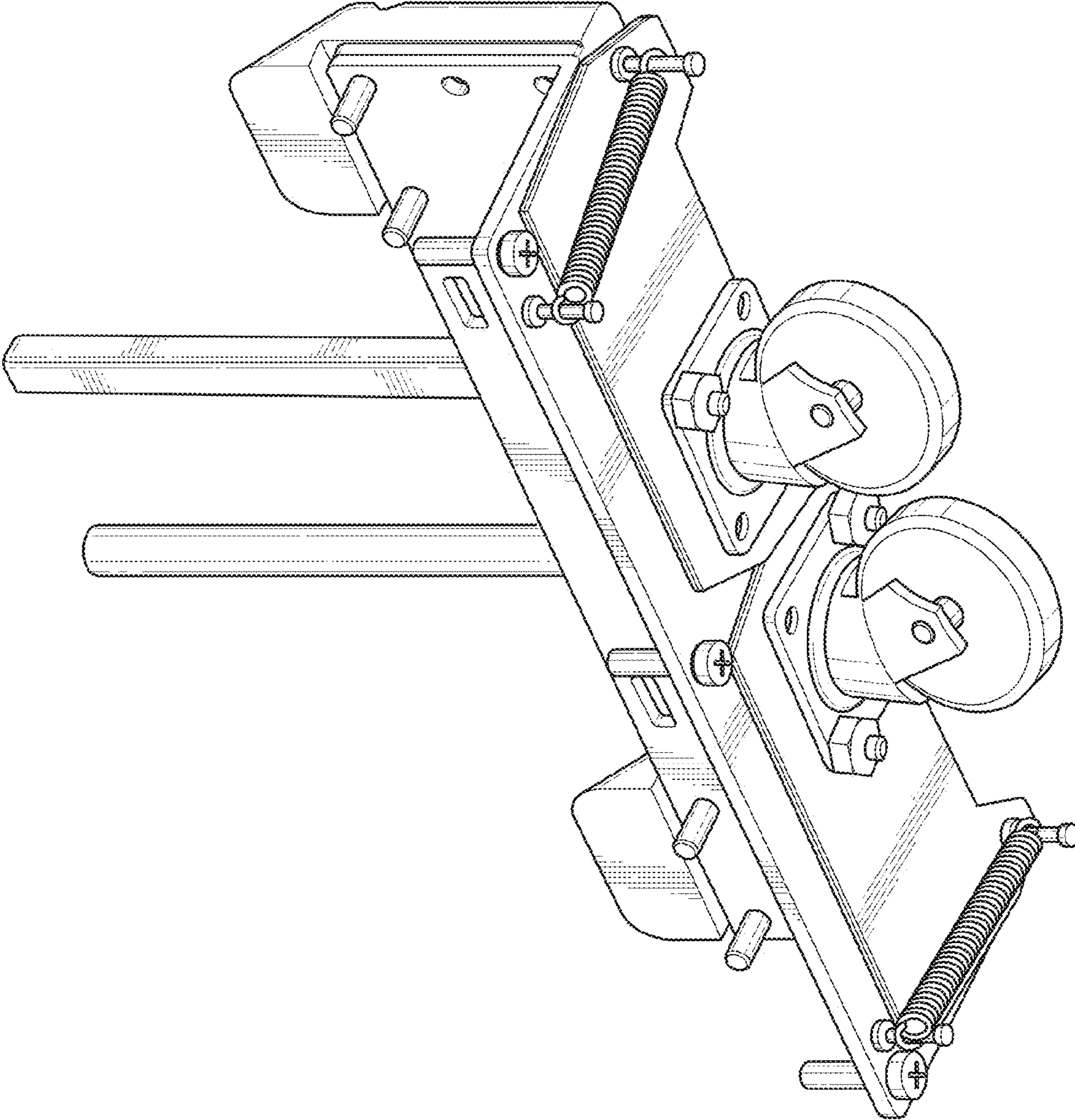


FIG. 2

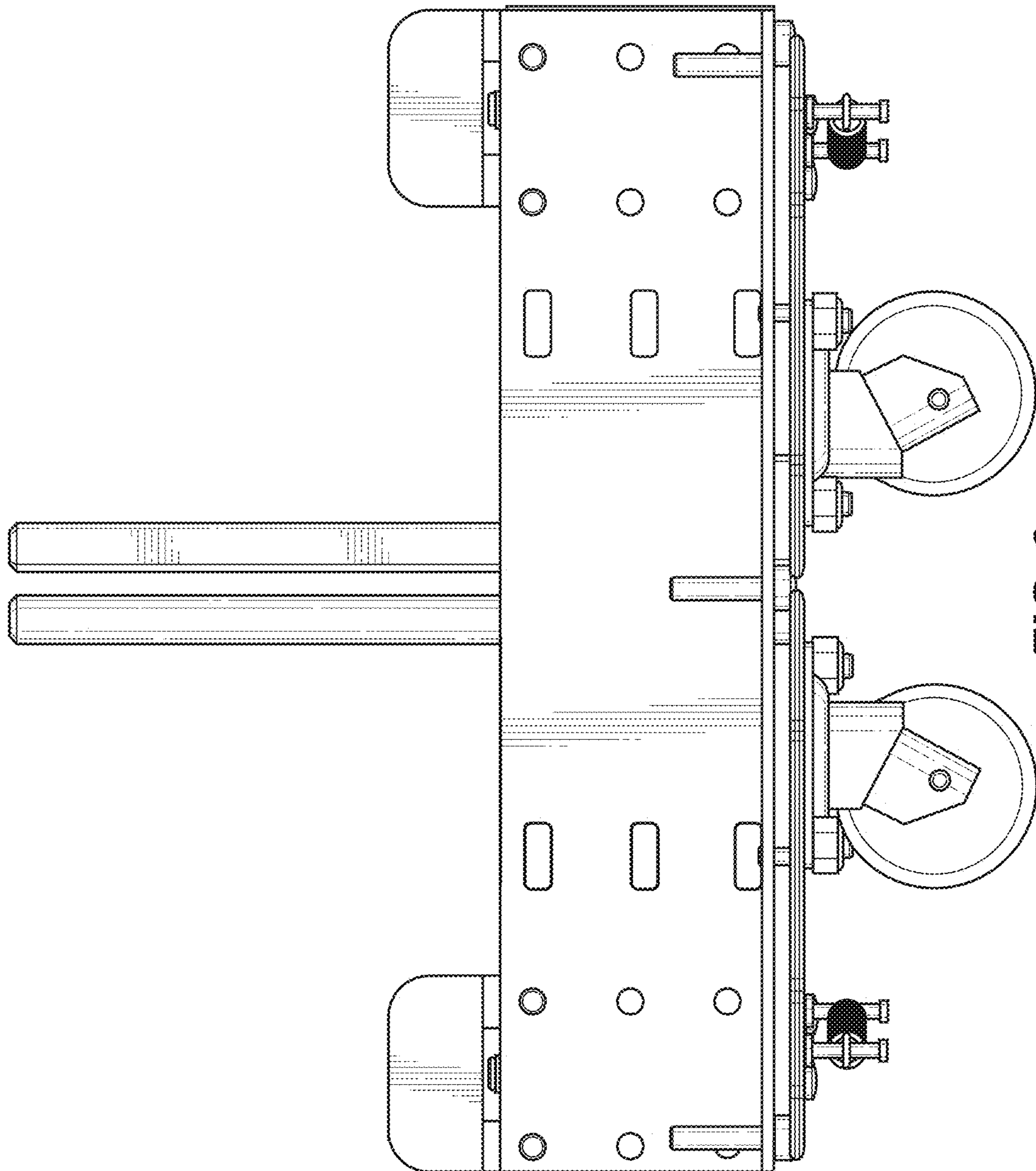


FIG. 3

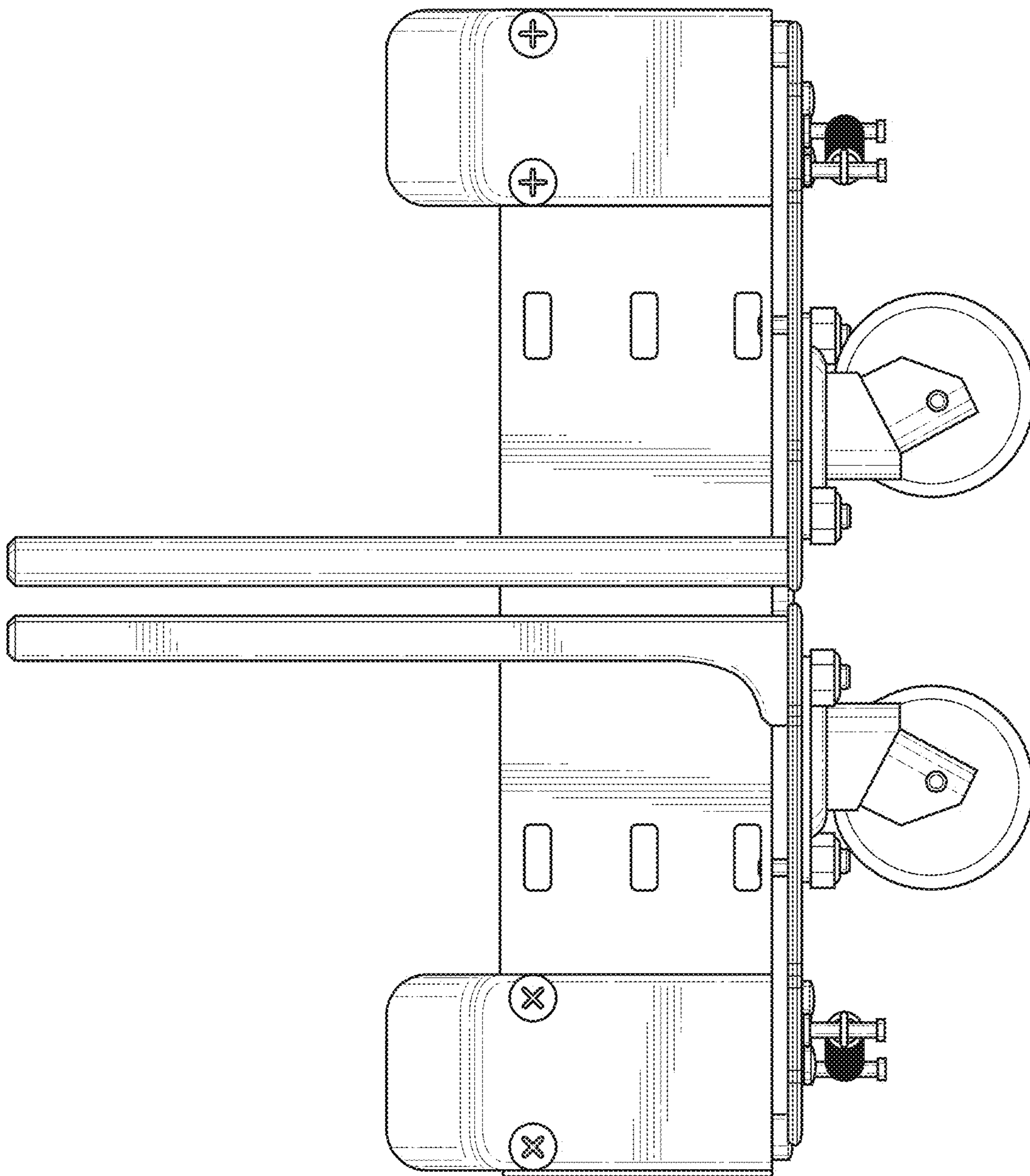


FIG. 4

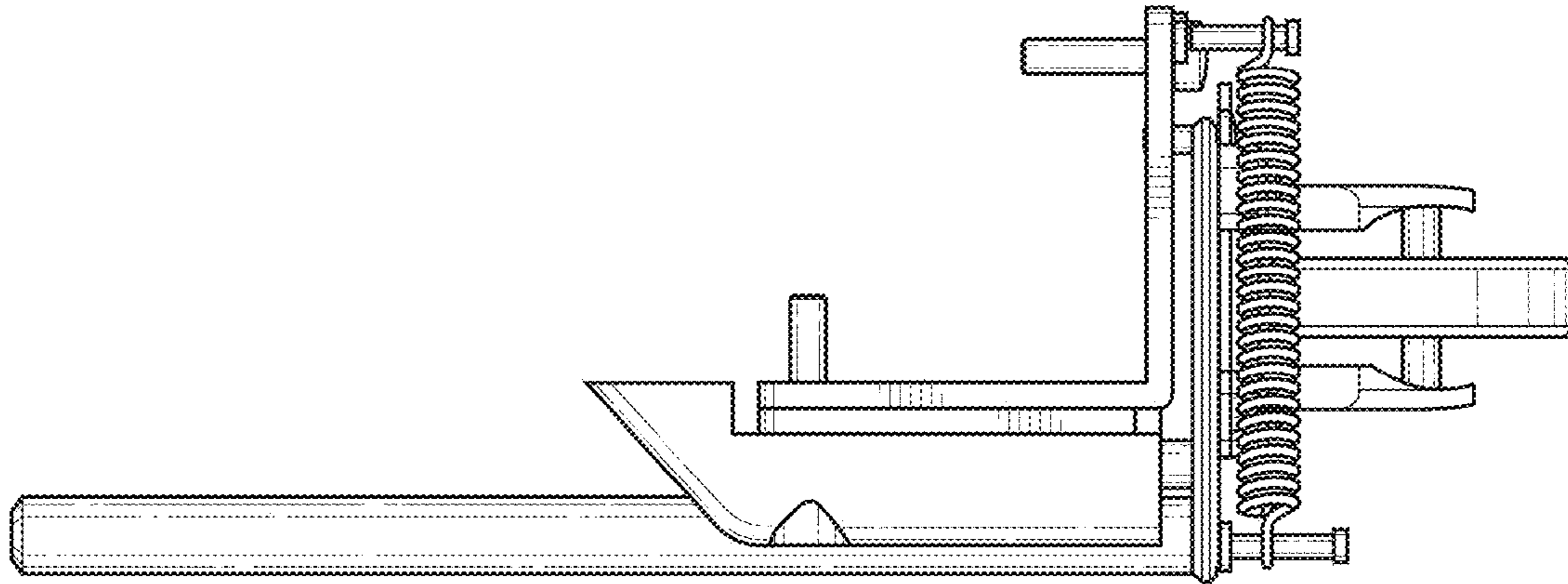


FIG. 6

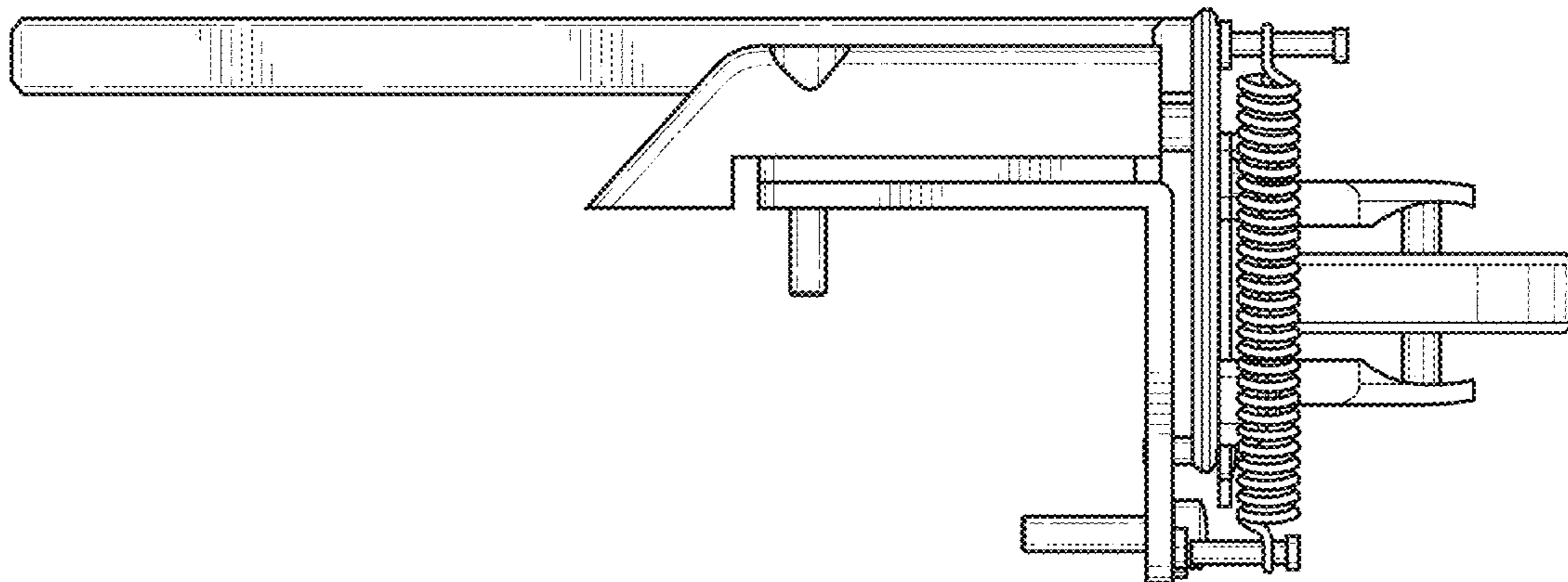


FIG. 5

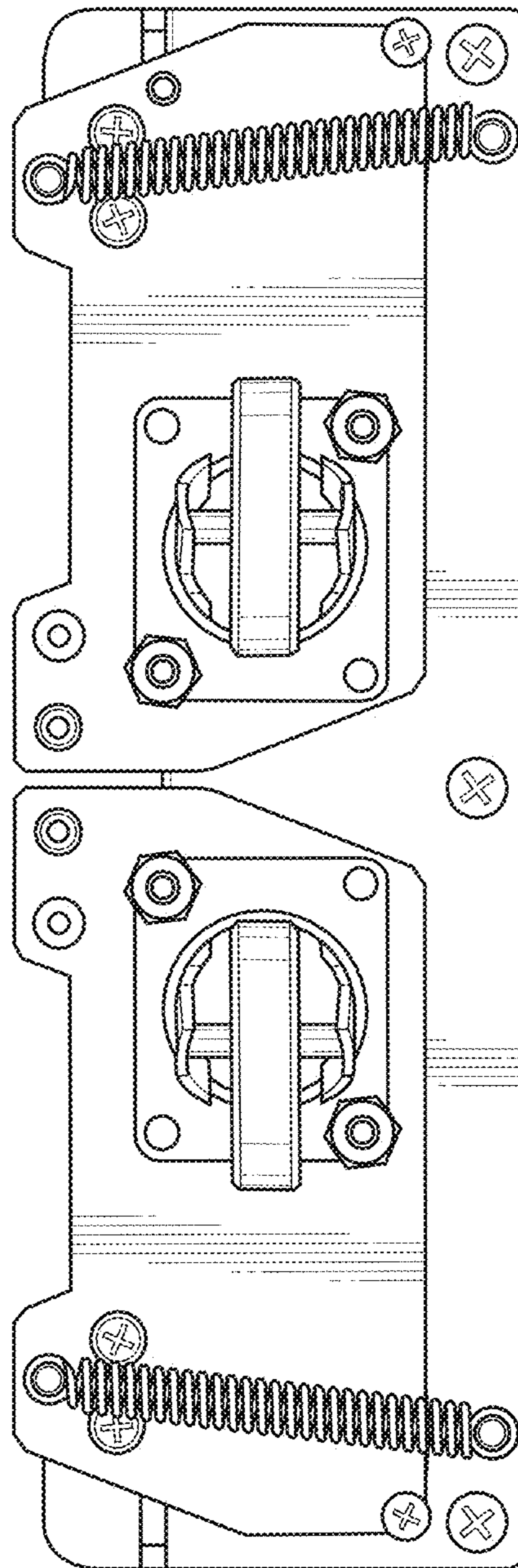


FIG. 7

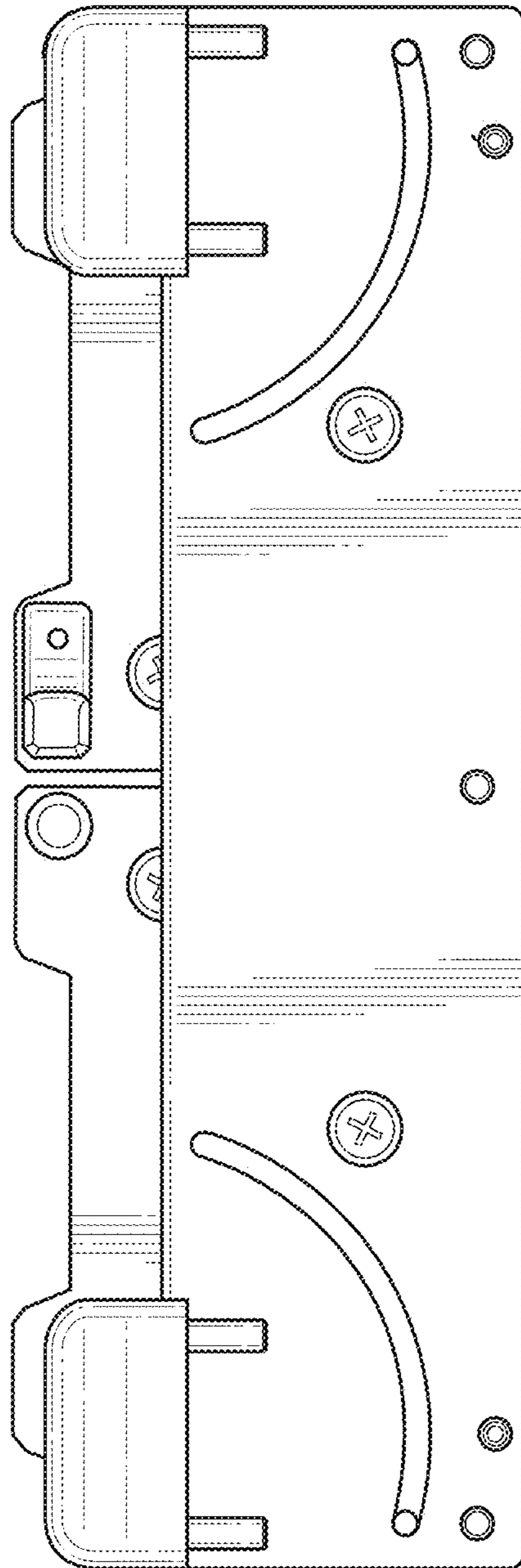


FIG. 8

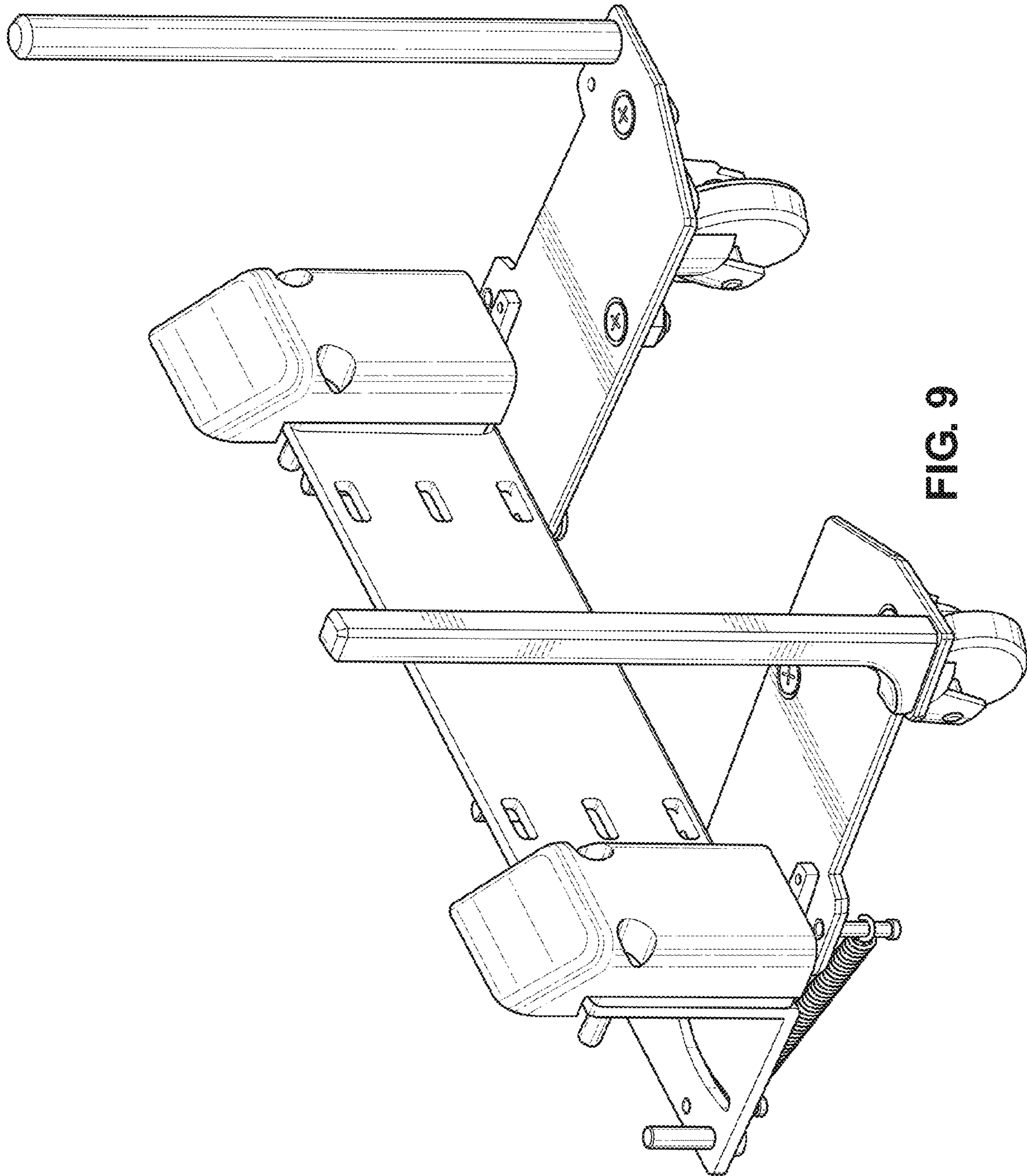


FIG. 9

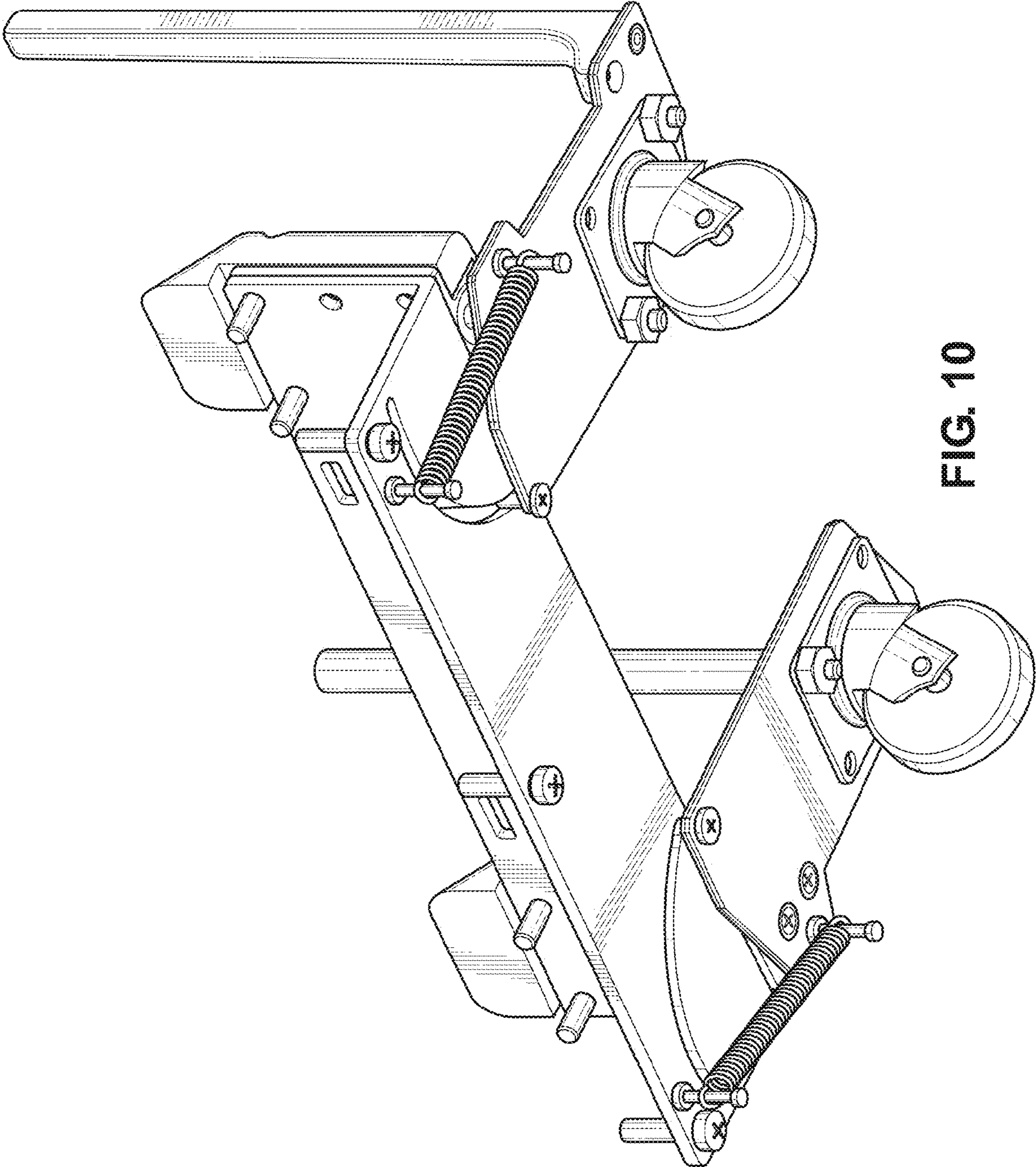


FIG. 10

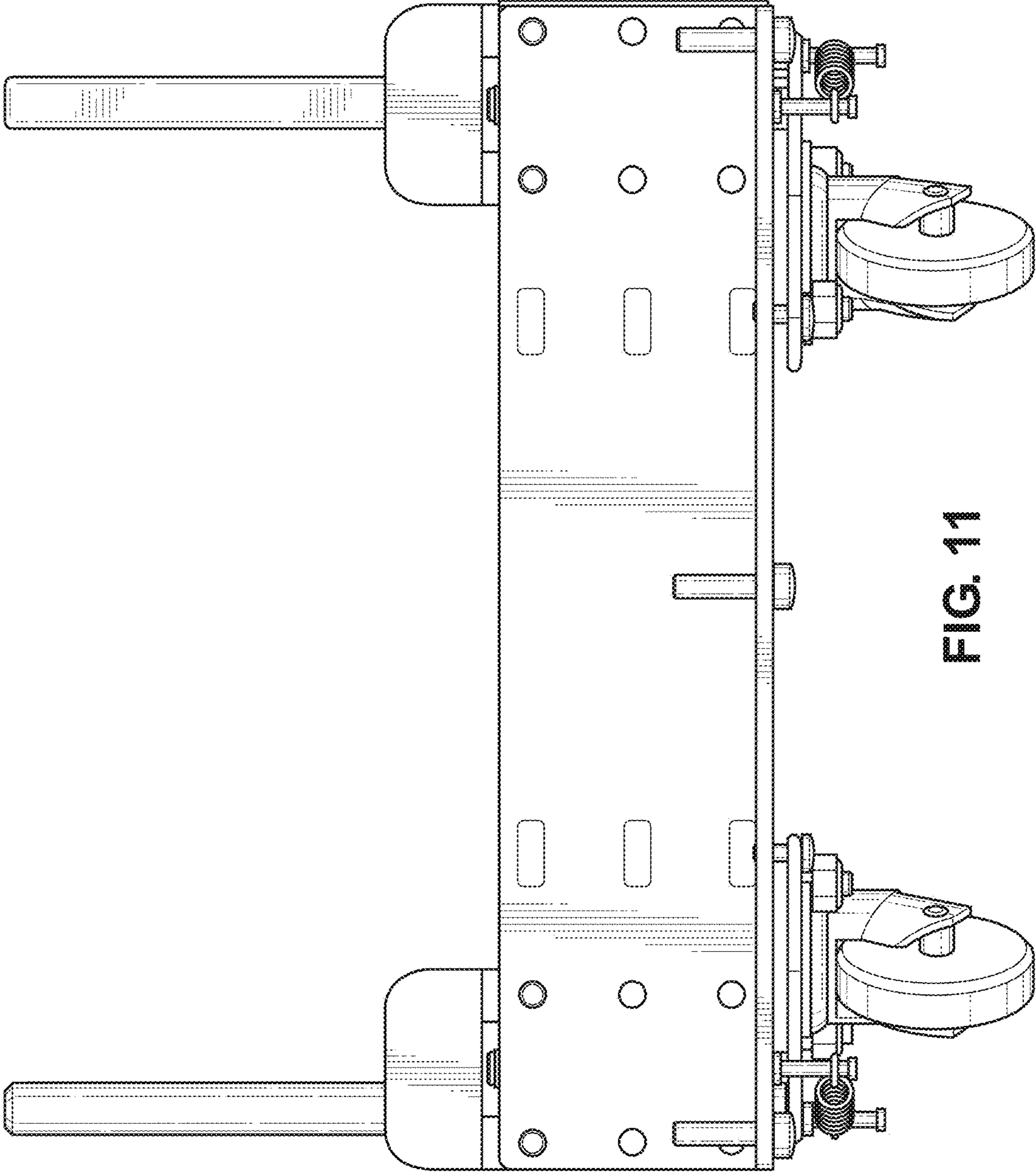


FIG. 11

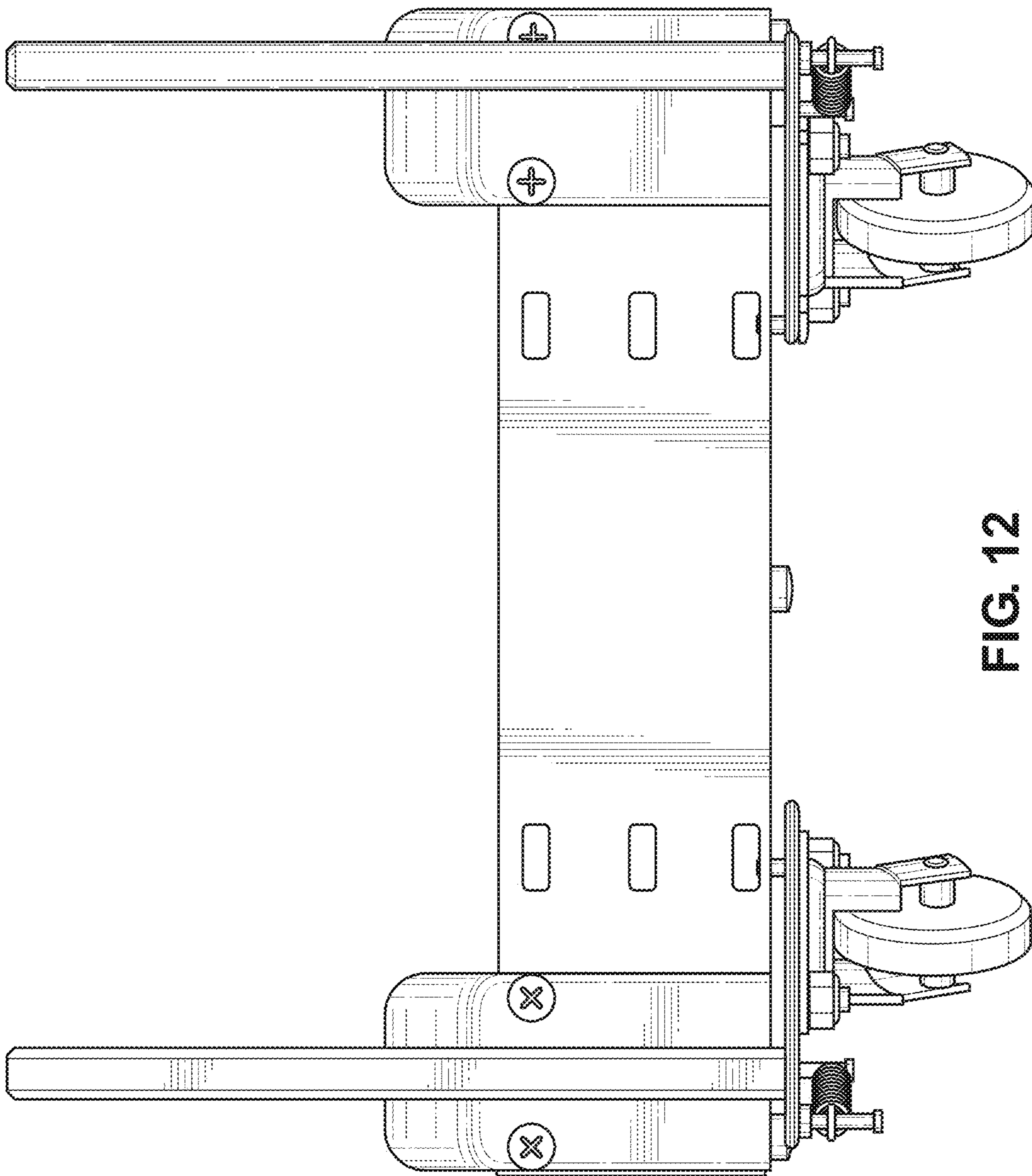


FIG. 12

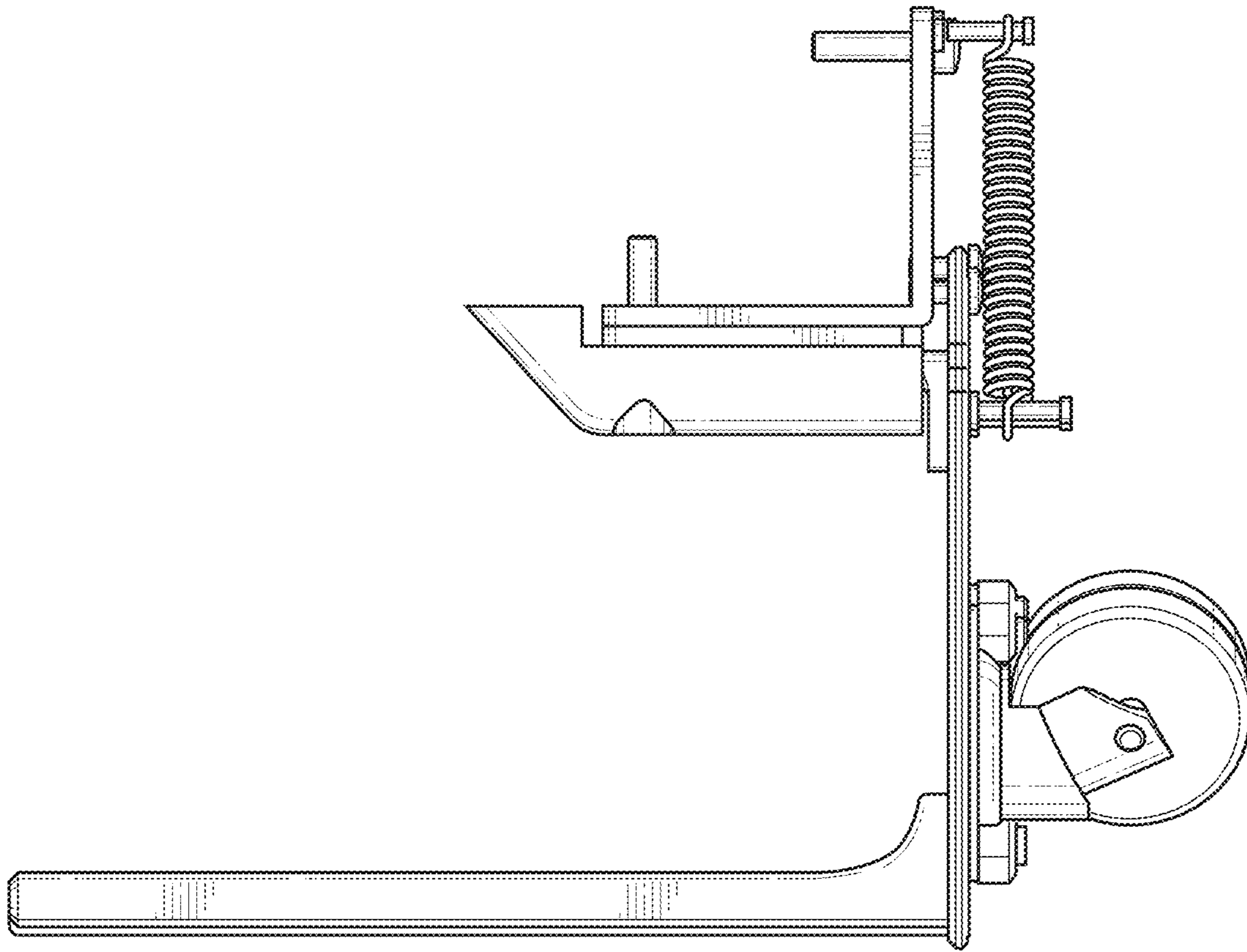


FIG. 14

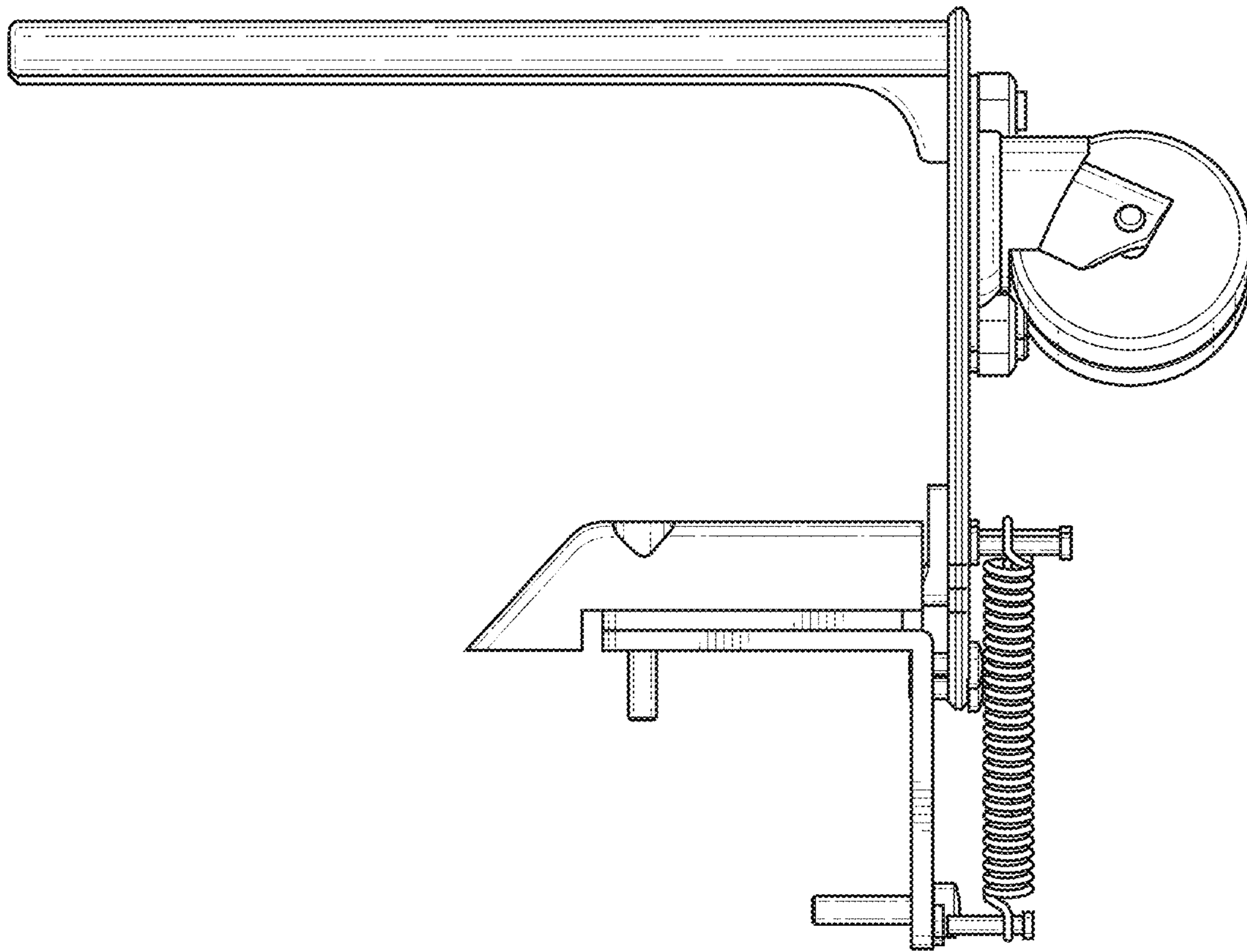


FIG. 13

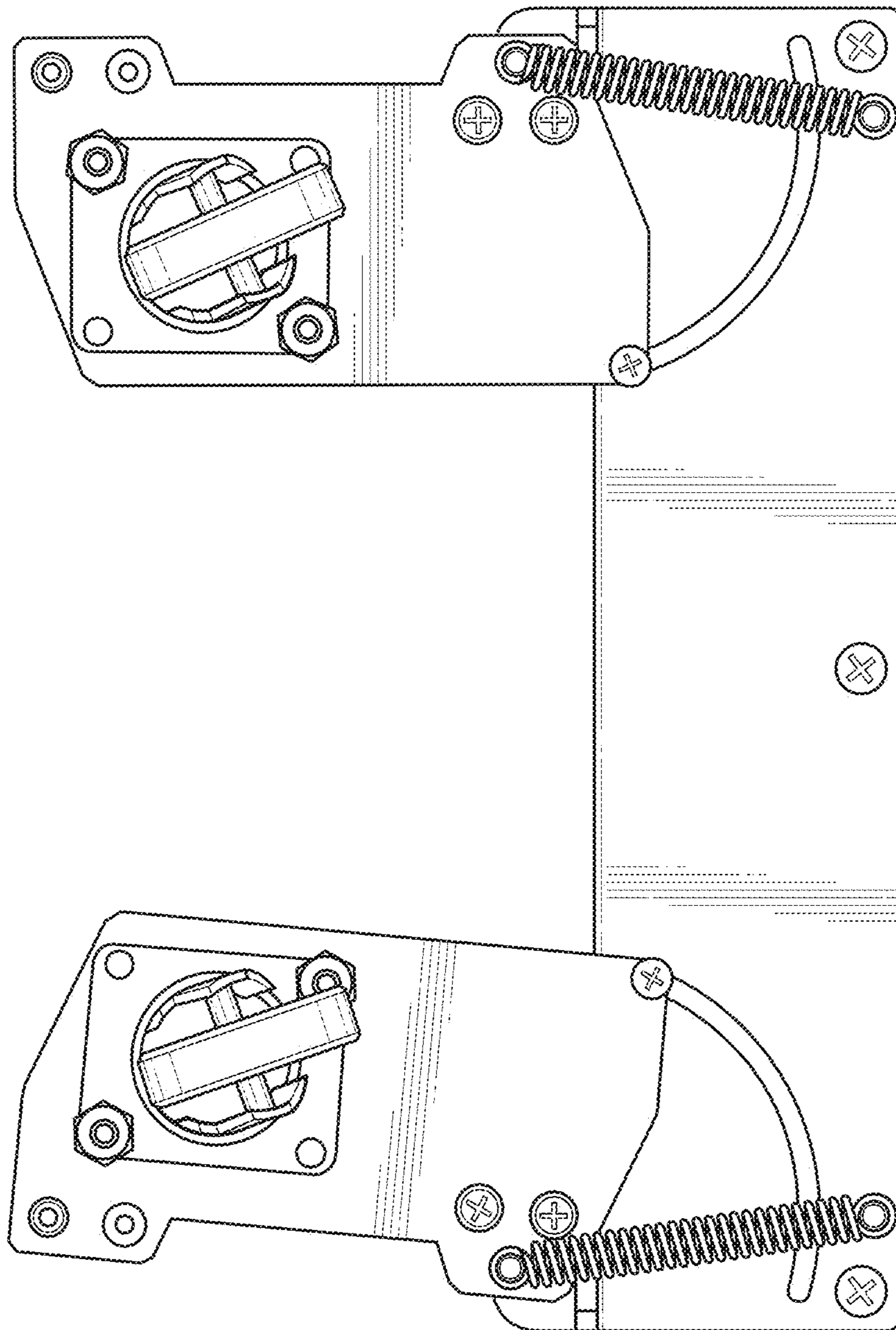


FIG. 15

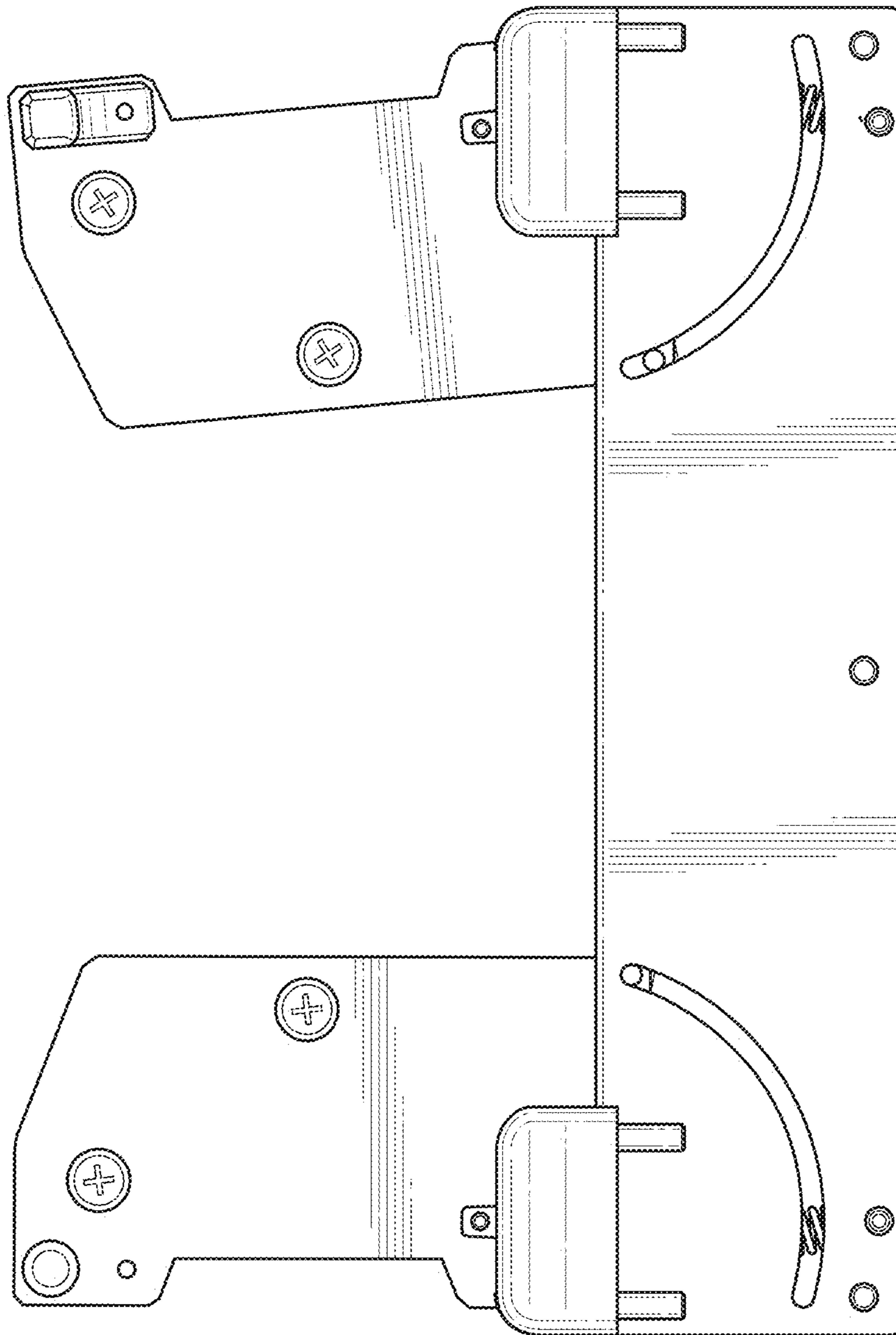


FIG. 16