



US00D977839S

(12) **United States Design Patent** (10) **Patent No.:** **US D977,839 S**
Roy (45) **Date of Patent:** **** Feb. 14, 2023**

(54) **RETRACTABLE WHEEL BASE LUGGAGE**

(71) Applicant: **Switch, Ltd.**, Las Vegas, NV (US)

(72) Inventor: **Rob Roy**, Las Vegas, NV (US)

(73) Assignee: **Switch, Ltd.**, Las Vegas, NV (US)

(**) Term: **15 Years**

(21) Appl. No.: **29/707,027**

(22) Filed: **Sep. 25, 2019**

(51) **LOC (14) Cl.** **03-01**

(52) **U.S. Cl.**
USPC **D3/318**; D3/279

(58) **Field of Classification Search**
USPC D3/274, 279, 285, 289, 900, 902, 318
CPC .. A45C 5/00; A45C 5/14; A45C 5/146; A45C
2009/002
See application file for complete search history.

(56) **References Cited**

U.S. PATENT DOCUMENTS

3,917,038	A *	11/1975	Foge	A45C 5/146
					D3/279
D742,117	S *	11/2015	Starck	D3/289
D873,001	S *	1/2020	Alvarez	D3/274
10,966,498	B1 *	4/2021	Quirk	A45C 5/146
2004/0000457	A1 *	1/2004	Sanford-Schwentke	A45C 5/146
					280/655
2014/0110203	A1 *	4/2014	Sung	A45C 5/146
					190/18 A
2014/0190780	A1 *	7/2014	Blazure	A45C 5/146
					190/1
2015/0208776	A1 *	7/2015	Bennett	A45C 5/146
					190/15.1

2021/0052051 A1* 2/2021 Perez A45C 5/146

* cited by examiner

Primary Examiner — April Rivas

(74) *Attorney, Agent, or Firm* — Weide & Miller, Ltd.

(57) **CLAIM**

The ornamental design for a retractable wheel base luggage, as shown and described.

DESCRIPTION

FIG. 1 is a perspective view of the luggage in accordance with a first, retracted configuration of the present invention; FIG. 2 is a rear, bottom perspective view of the luggage of FIG. 1;

FIG. 3 is a rear elevational view of the luggage of FIG. 1; FIG. 4 is a front elevational view of the luggage of FIG. 1; FIG. 5 is a right-side elevational view of the luggage of FIG. 1;

FIG. 6 is a left-side elevational view of the luggage of FIG. 1;

FIG. 7 is a bottom plan view of the luggage of FIG. 1;

FIG. 8 is a top plan view of the luggage of FIG. 1;

FIG. 9 is an alternate perspective view of the luggage in accordance with a second, expanded configuration of the present invention;

FIG. 10 is a rear, bottom perspective view of the luggage of FIG. 9;

FIG. 11 is a rear elevational view of the luggage of FIG. 9;

FIG. 12 is a front elevational view of the luggage of FIG. 9;

FIG. 13 is a right elevational view of the luggage of FIG. 9;

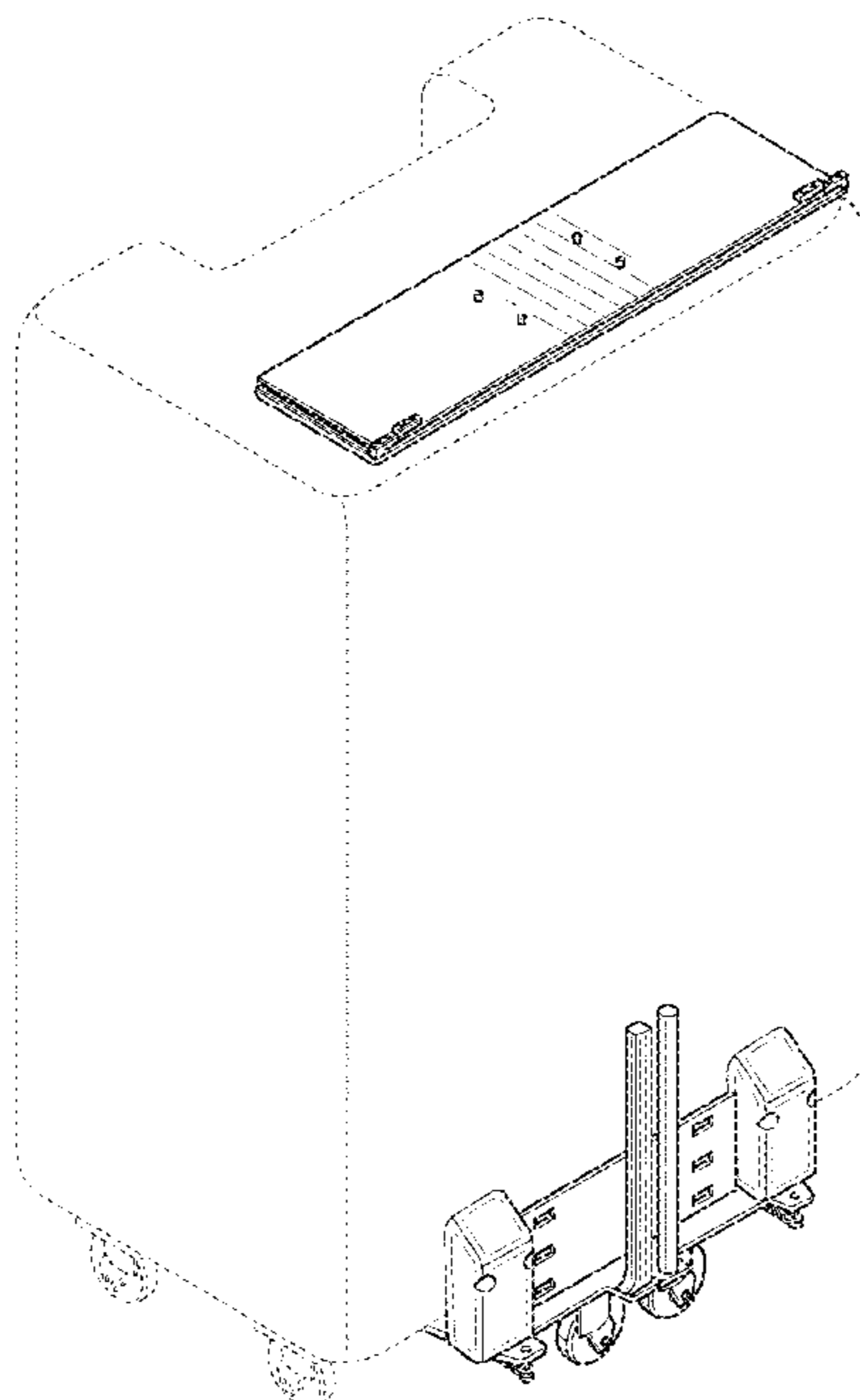
FIG. 14 is a left elevational view of the luggage of FIG. 9;

FIG. 15 is a bottom plan view of the luggage of FIG. 9; and,

FIG. 16 is a top plan view of the luggage of FIG. 9.

The broken lines depict portions of the retractable wheel base luggage that form no part of the claimed design.

1 Claim, 14 Drawing Sheets



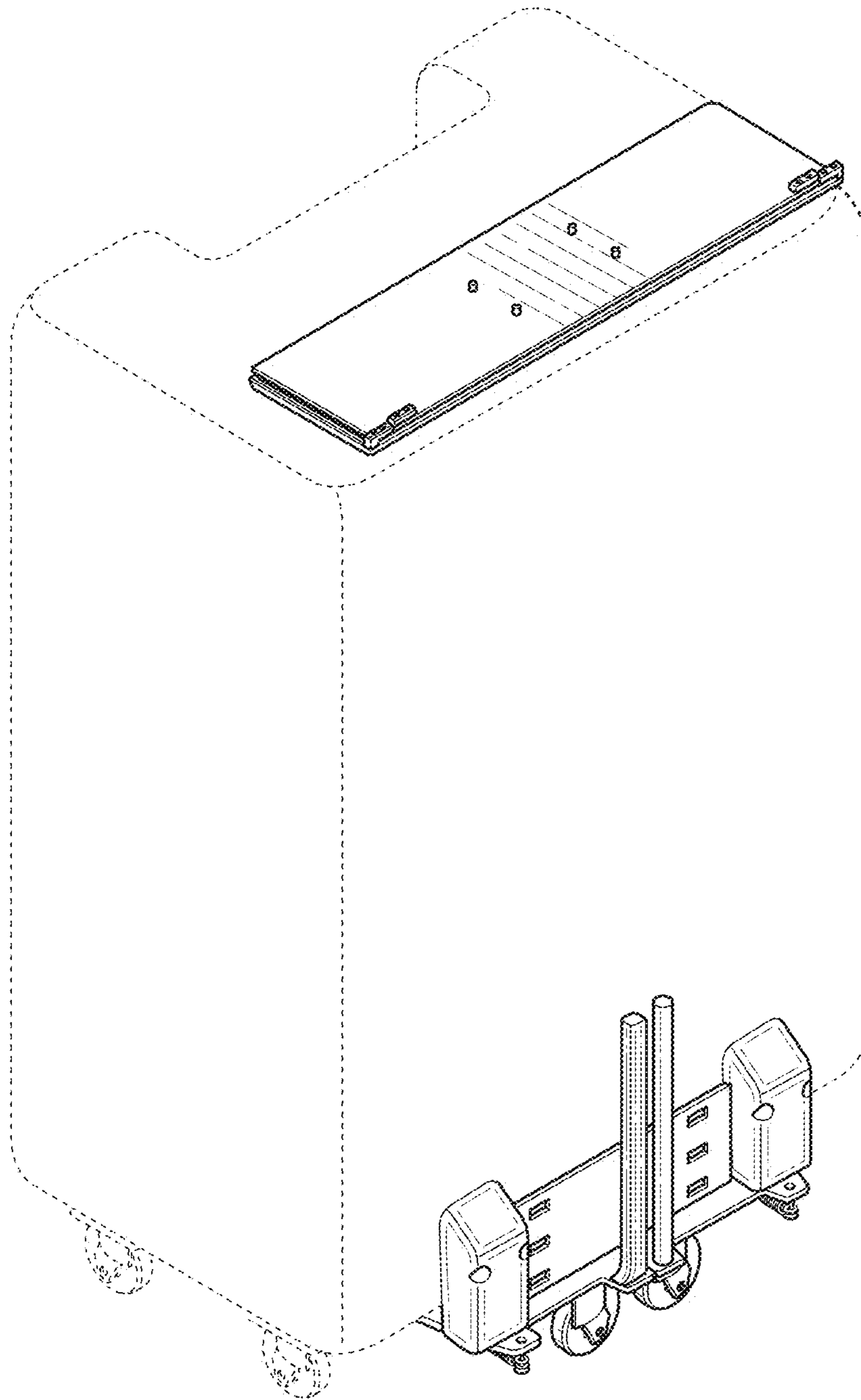


FIG. 1

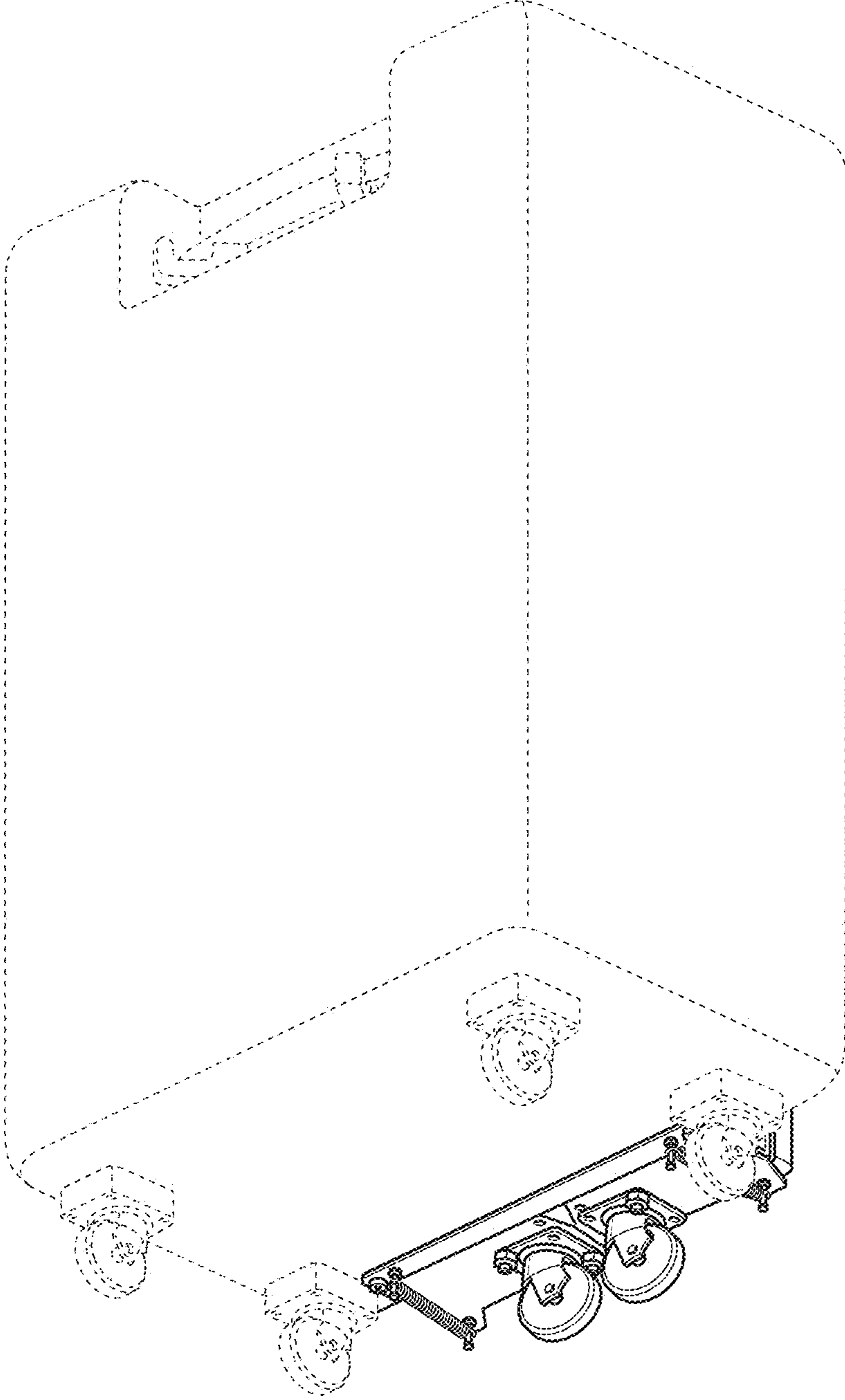


FIG. 2



FIG. 3

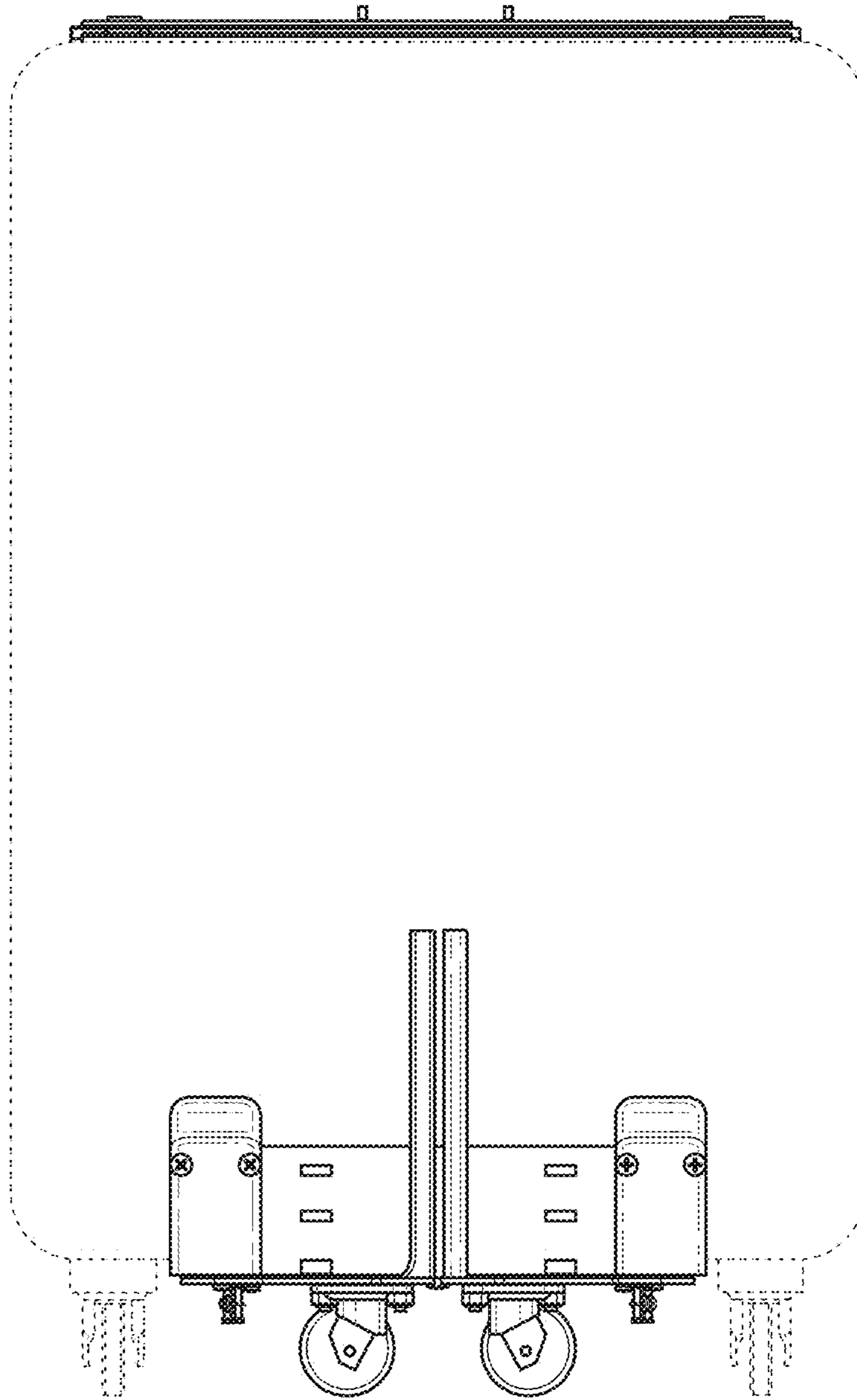


FIG. 4

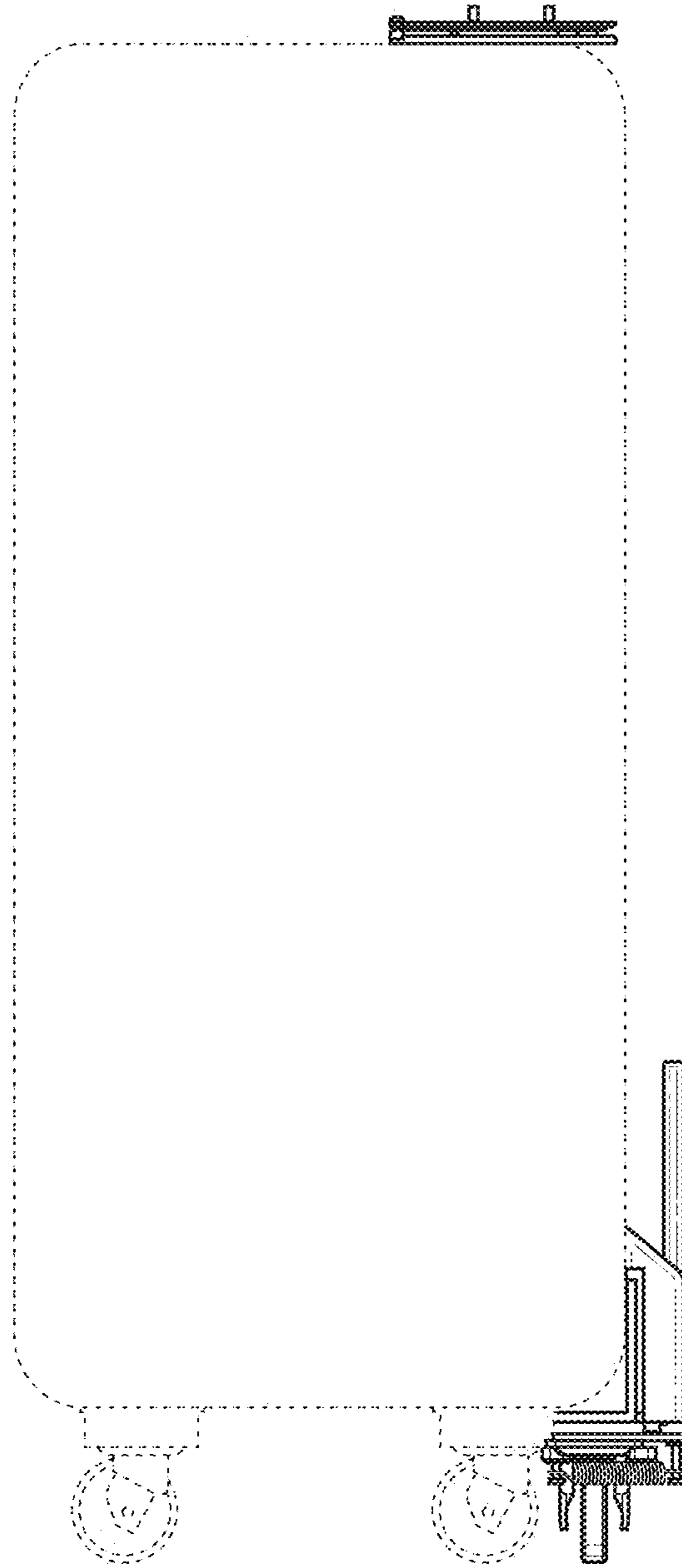


FIG. 5

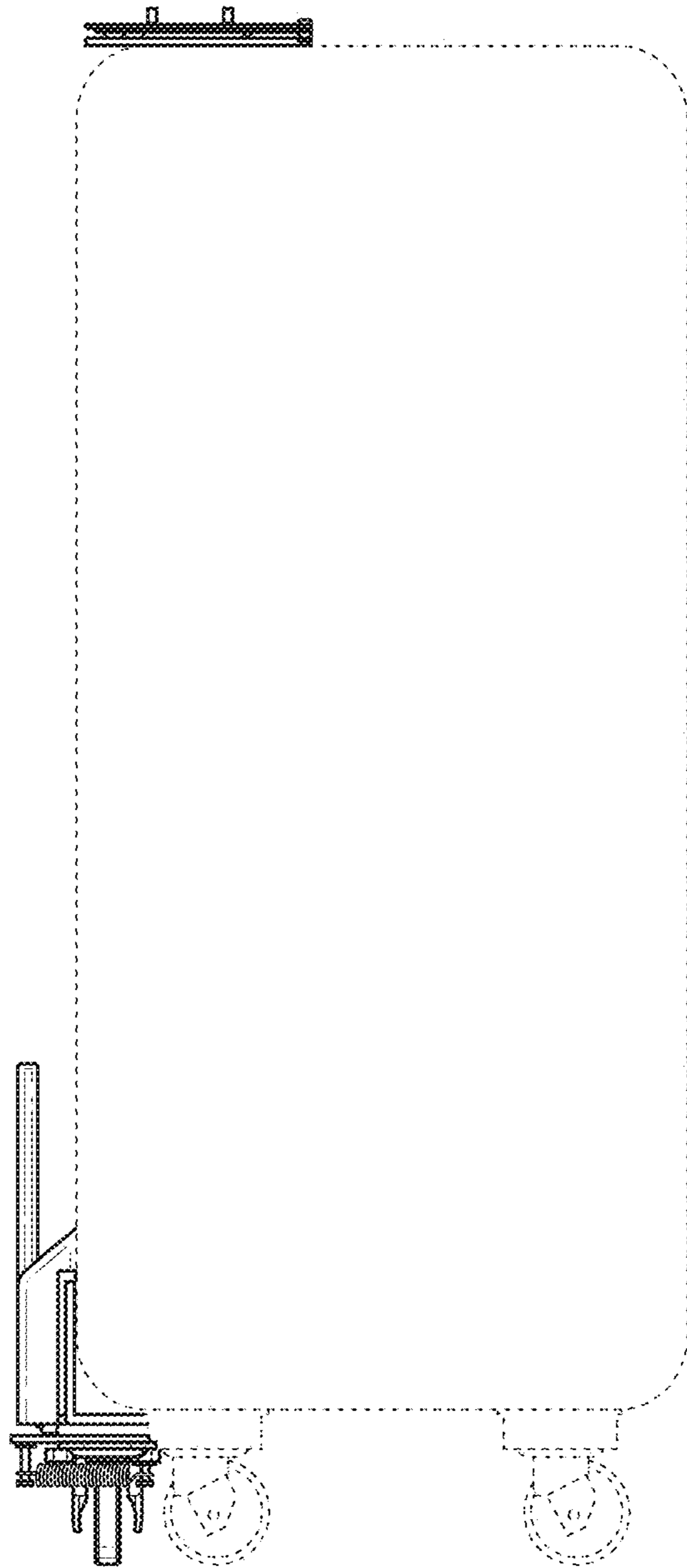


FIG. 6

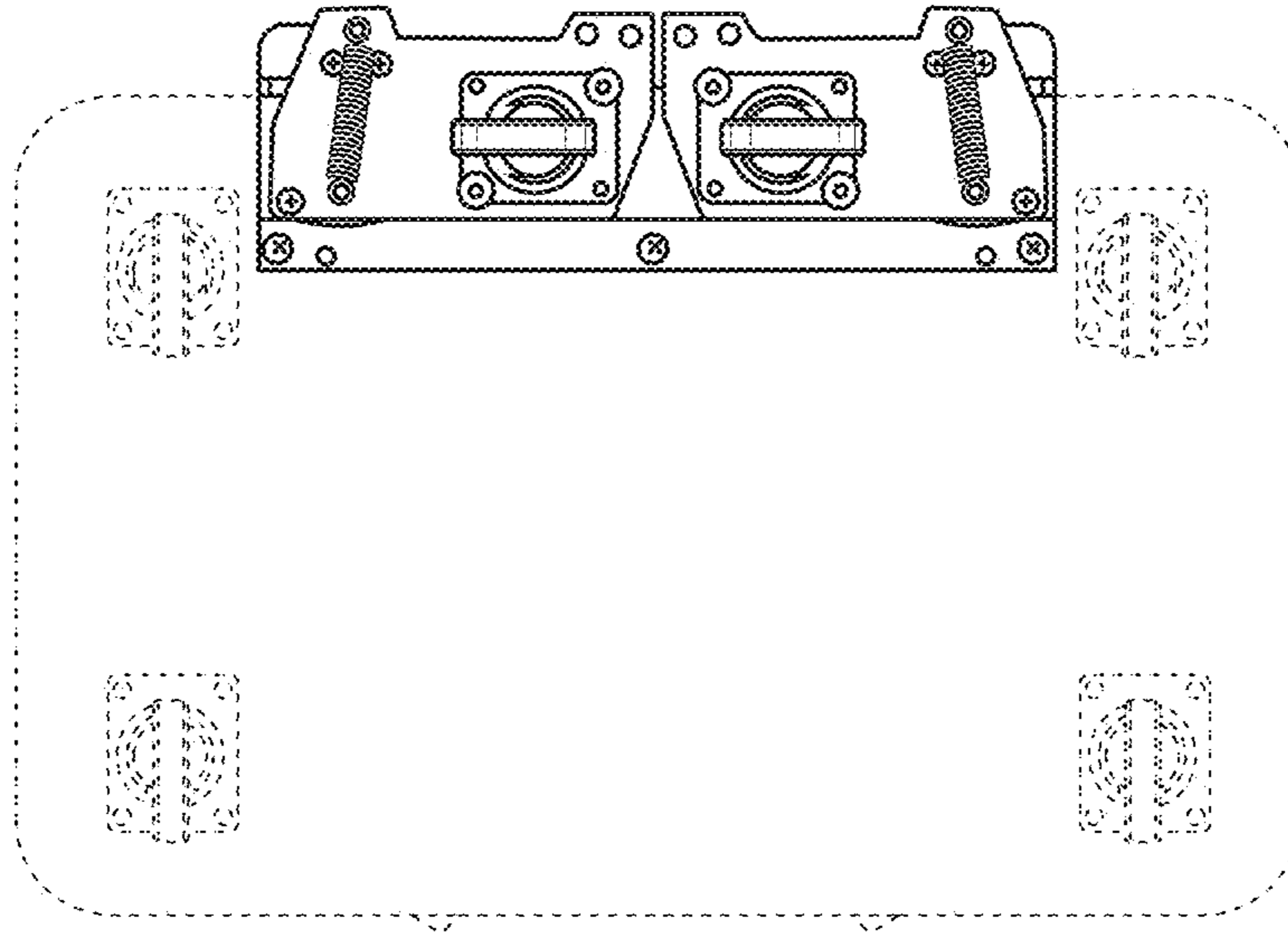


FIG. 7

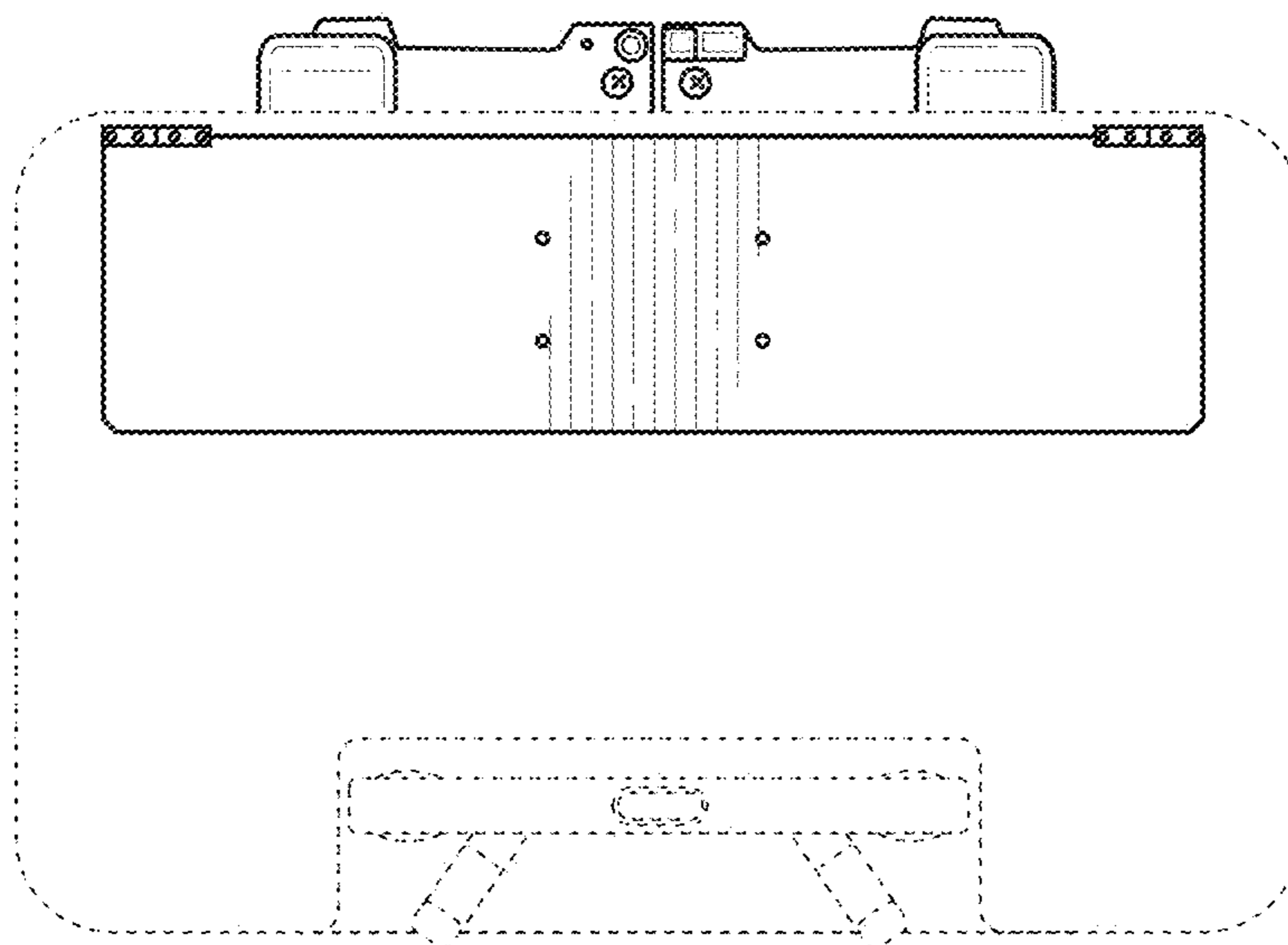


FIG. 8

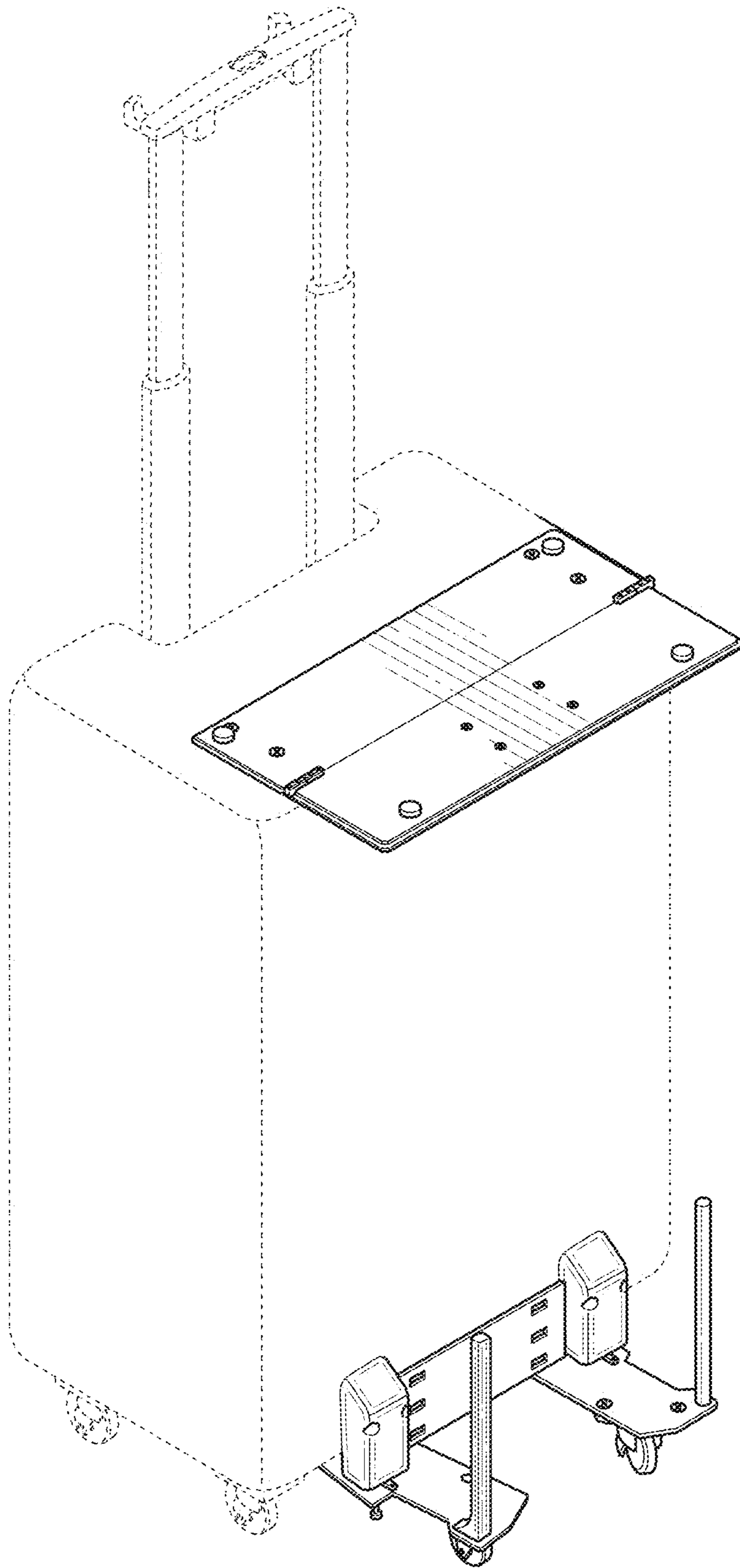


FIG. 9

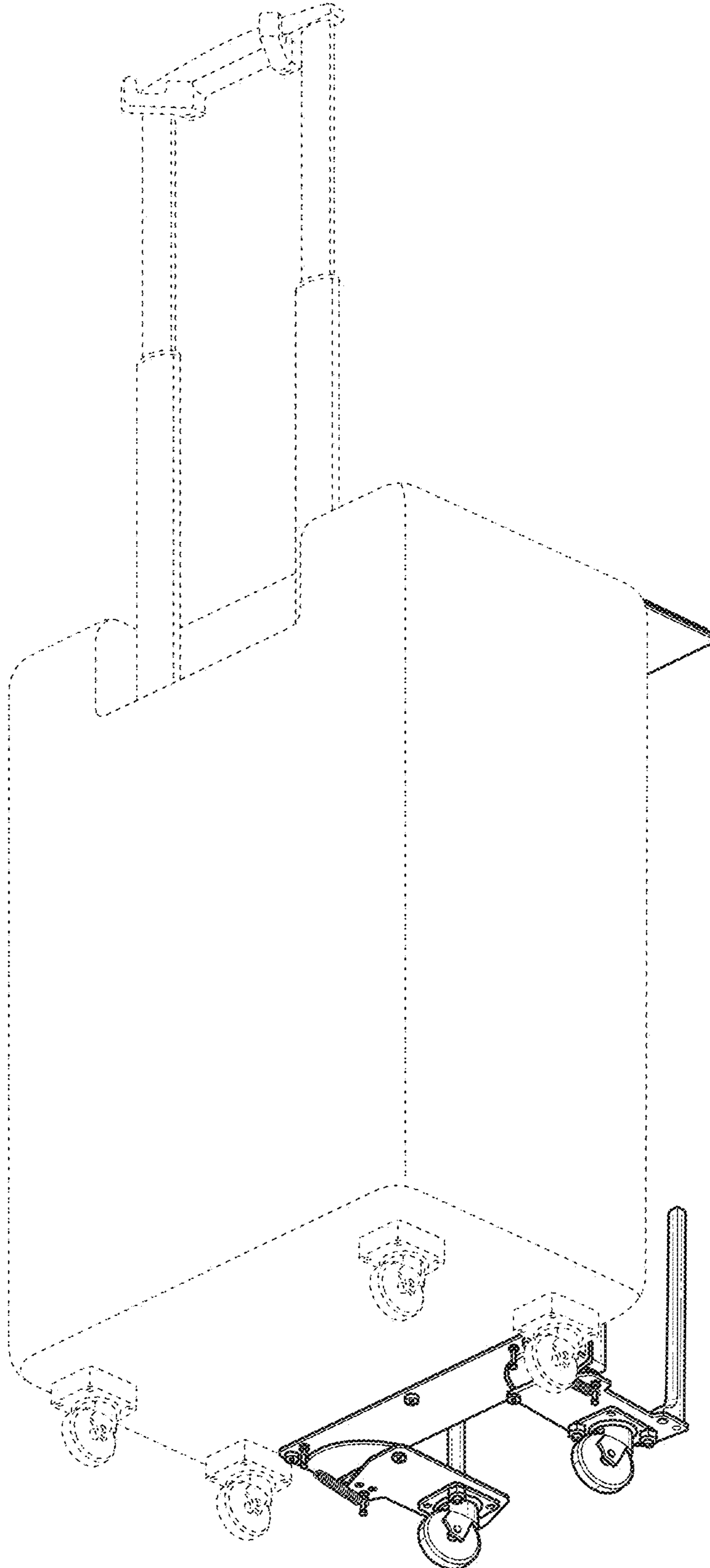


FIG. 10

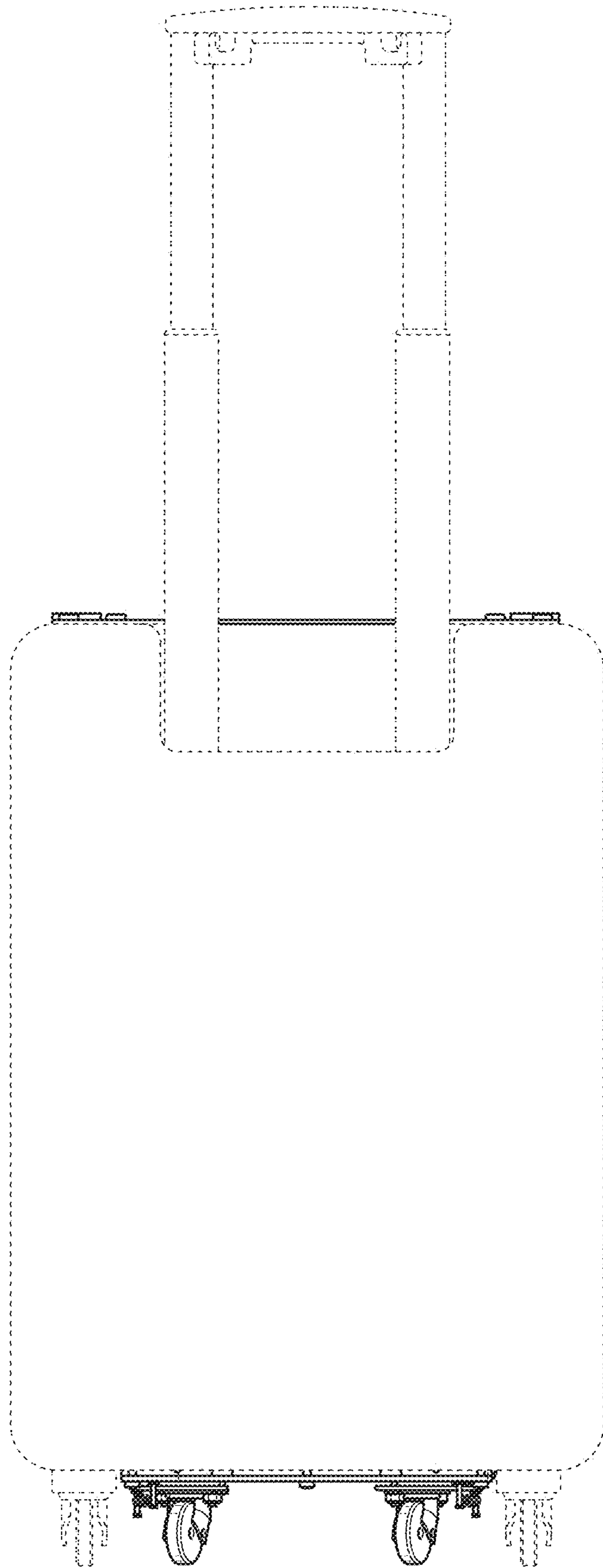


FIG. 11

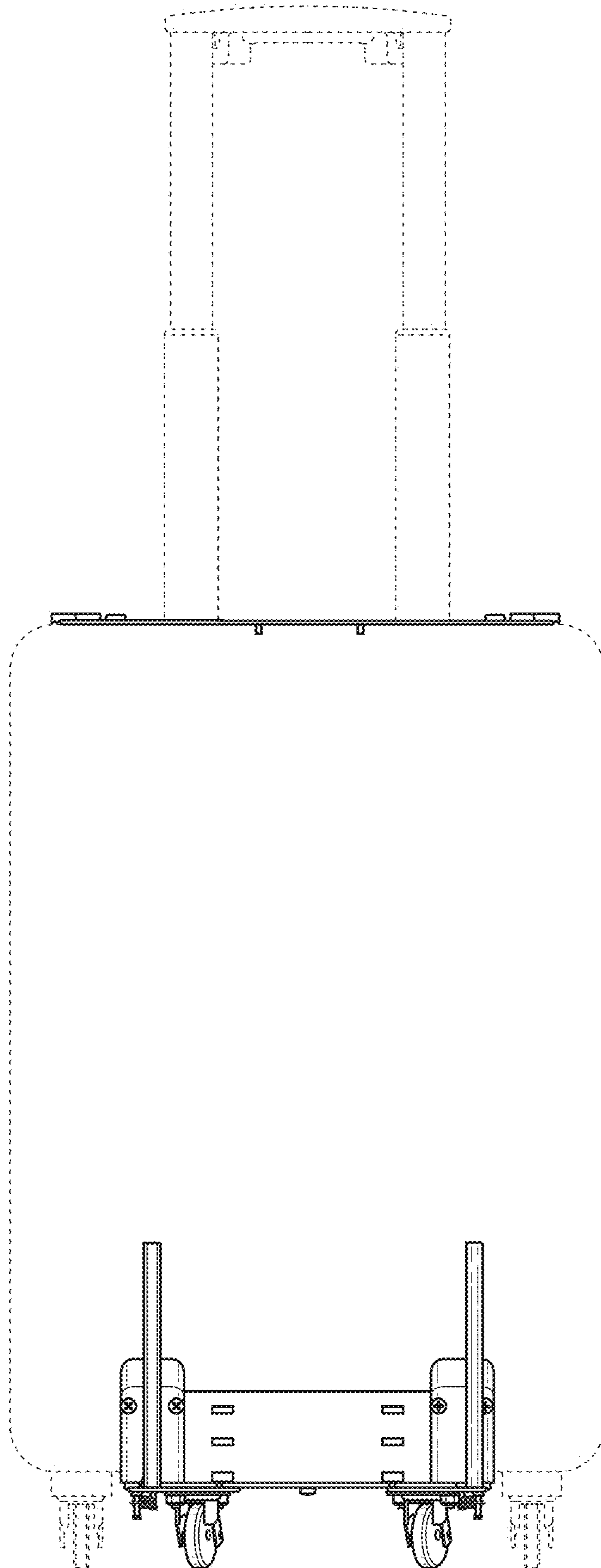


FIG. 12

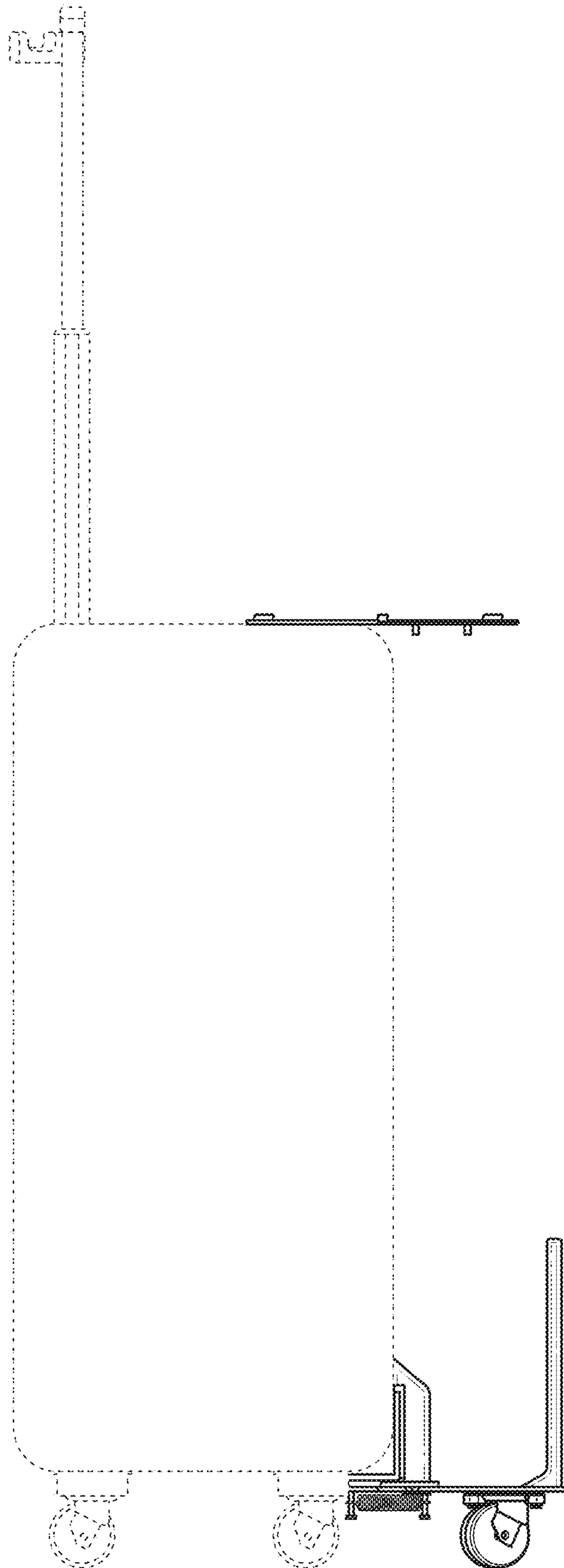


FIG. 13

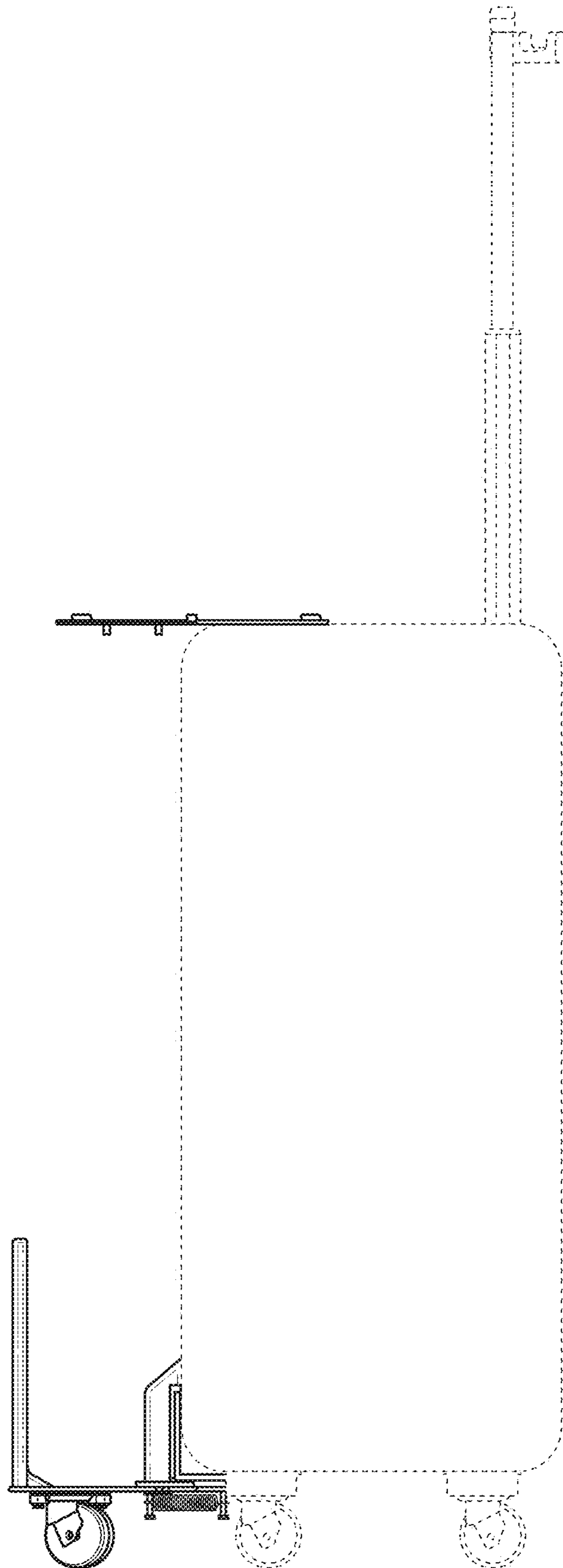


FIG. 14

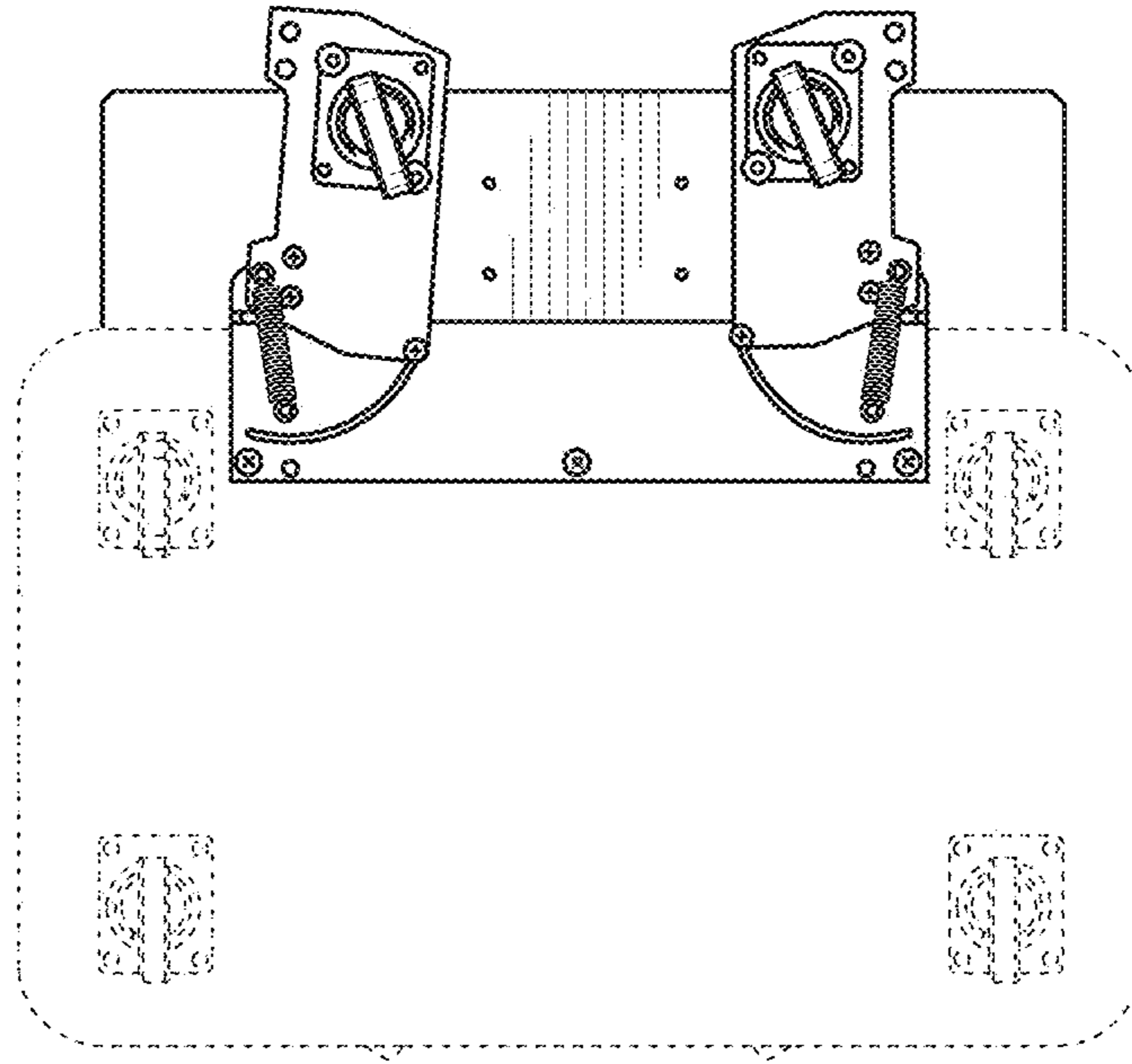


FIG. 15

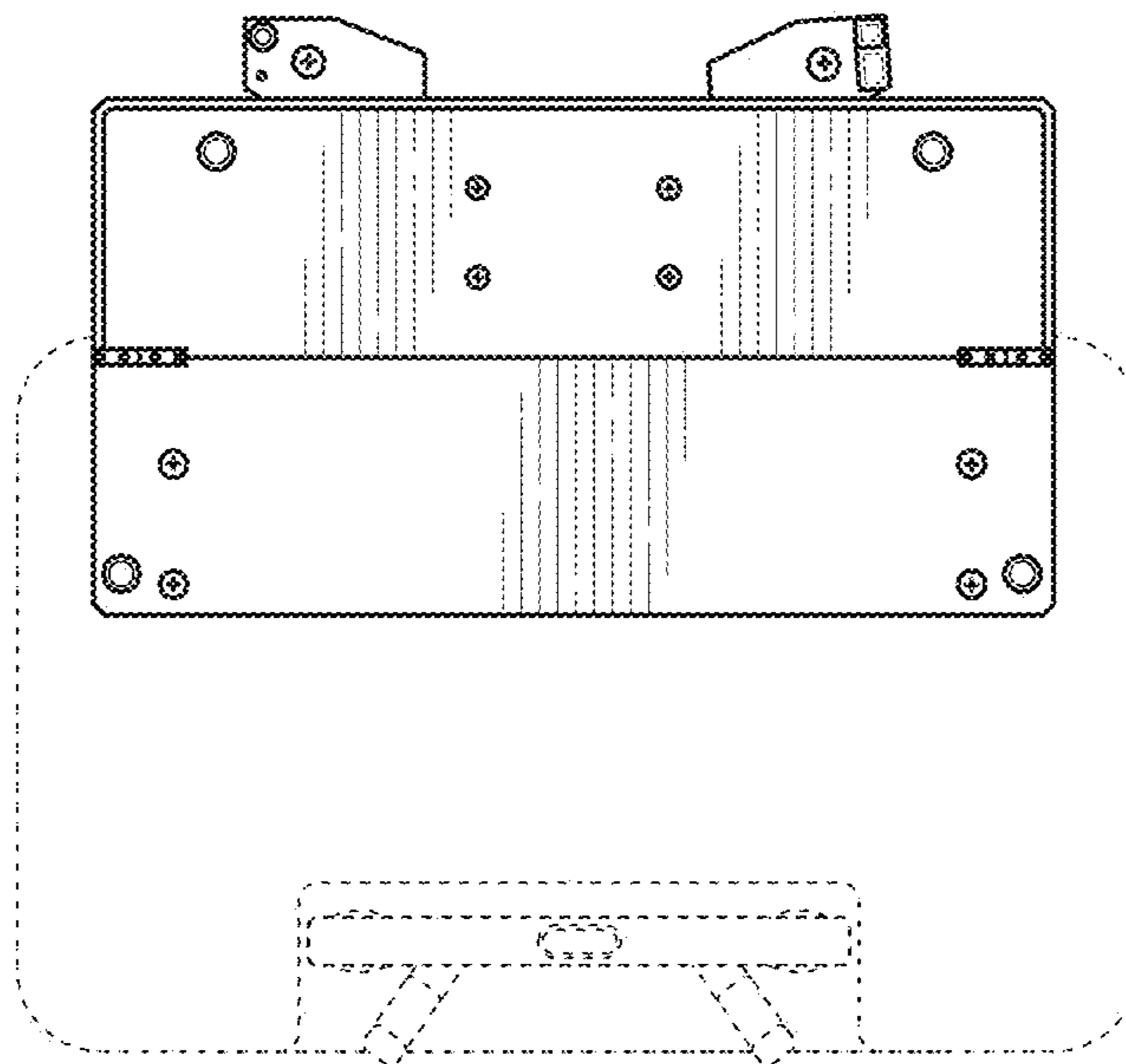


FIG. 16