



US00D977837S

(12) **United States Design Patent** (10) **Patent No.:** **US D977,837 S**
Dai (45) **Date of Patent:** **** Feb. 14, 2023**

(54) **DRAWER UNIT**

- (71) Applicant: **ShenZhen YiHong Technology Co., LTD**, Guangdong (CN)
- (72) Inventor: **Yi Dai**, ShenZhen (CN)
- (73) Assignee: **ShenZhen YiHong Technology CO., LTD**, ShenZhen (CN)
- (**) Term: **15 Years**
- (21) Appl. No.: **29/842,927**
- (22) Filed: **Jun. 16, 2022**
- (51) **LOC (14) Cl.** **03-01**
- (52) **U.S. Cl.**
USPC **D3/298**
CPC **A47B 88/9418** (2017.01)
- (58) **Field of Classification Search**
USPC D3/298, 302, 905, 901, 903, 205, 203.1,
D3/279, 282; D6/336, 705, 663, 671,
D6/671.1; D9/414
CPC A47B 88/9418; A47B 87/0207
See application file for complete search history.

(56) **References Cited**

U.S. PATENT DOCUMENTS

D5,087 S *	7/1871	Seldis	D3/298
2,171,105 A *	8/1939	Wurzburg	A47B 63/02
				312/348.3
D297,688 S *	9/1988	Solomon	D19/75
D330,813 S *	11/1992	Spitzer	211/153
5,285,900 A *	2/1994	Swingler	B65D 25/005
				206/508
5,407,074 A *	4/1995	Brightbill	B65D 21/0223
				206/508
D358,727 S	5/1995	Dickinson et al.		
D362,567 S *	9/1995	Licari	D6/657
D379,880 S *	6/1997	Stoekli	D6/671.1
D478,208 S *	8/2003	Cassel	D3/273
D518,708 S *	4/2006	Ohayon	D6/705
D547,577 S *	7/2007	Gaska	D6/705.5
D583,561 S *	12/2008	Krusenstjerna	D3/298

(Continued)

OTHER PUBLICATIONS

“STORi Audrey Stackable Cosmetic Organizer Drawers | Set or 2 | Clear | 4.5-Inches Tall”, Manufactured by “US Acrylic”; First available on May 21, 2015; Site visited on Jun. 16, 2022, with link below (printout attached with submission) <https://www.amazon.com/Premium-Stackable-Cosmetic-Organizer-Collection/dp/B06XFYGRX7>.

Primary Examiner — Richard E Chilcot
(74) *Attorney, Agent, or Firm* — iPA & iPM

(57) **CLAIM**

The ornamental design for a drawer unit, as shown and described.

DESCRIPTION

FIG. 1 is a perspective view from above of a drawer unit showing my new design, wherein the drawer unit is shown with an inner container sliding out of a housing;

FIG. 2 is a perspective view of the housing;

FIG. 3 is a perspective view from below thereof;

FIG. 4 is a front view thereof;

FIG. 5 is a back view thereof;

FIG. 6 is a left side view thereof;

FIG. 7 is a right side view thereof;

FIG. 8 is a top view thereof;

FIG. 9 is a bottom view thereof;

FIG. 10 is a perspective view of the inner container;

FIG. 11 is a perspective view from below thereof;

FIG. 12 is a front view thereof;

FIG. 13 is a back view thereof;

FIG. 14 is a left side view thereof;

FIG. 15 is a right side view thereof;

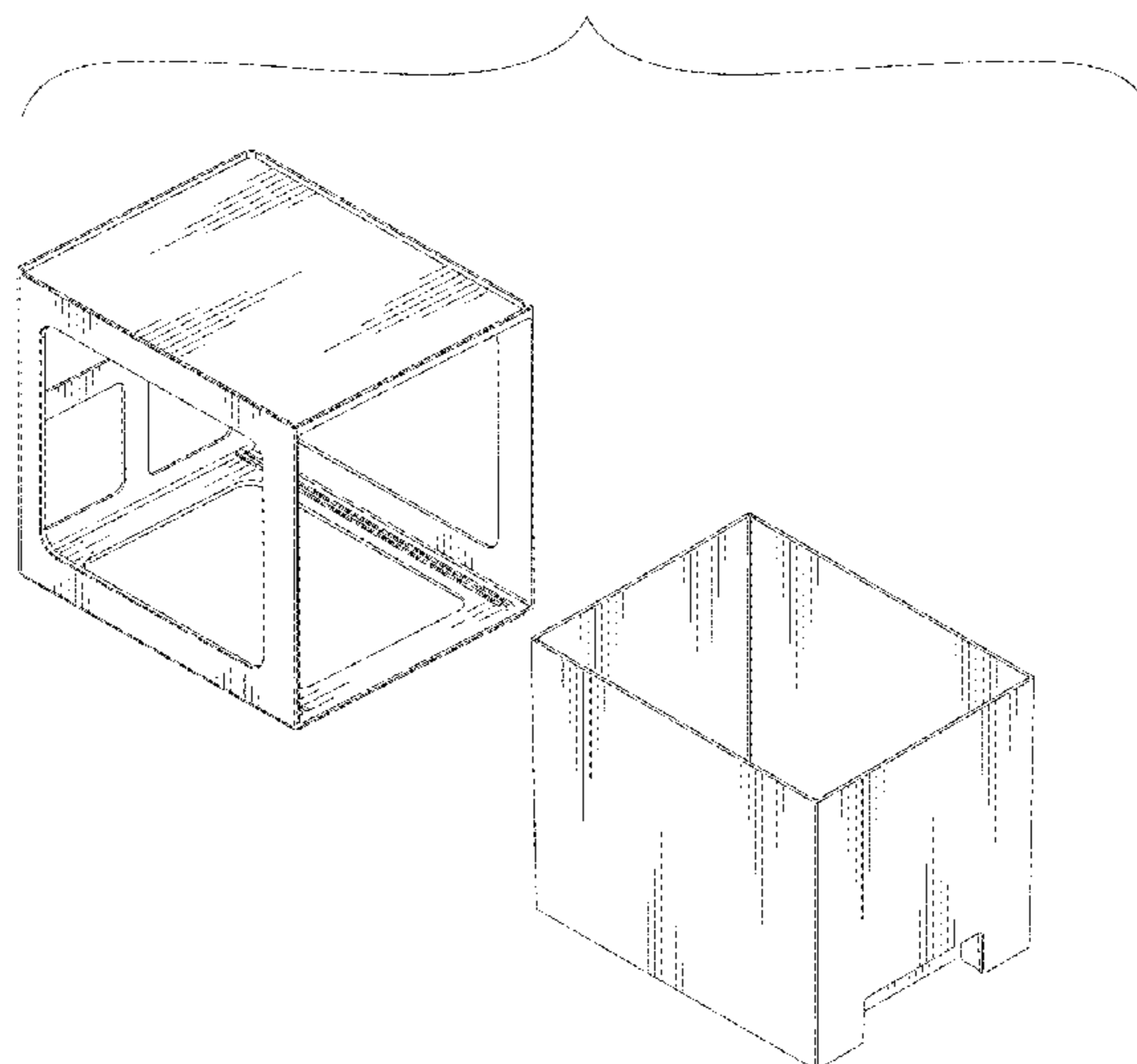
FIG. 16 is a top view thereof;

FIG. 17 is a bottom view thereof;

FIG. 18 is a perspective view of the drawer unit with the inner container completely enclosed by the housing; and,

FIG. 19 is a perspective view from below thereof.

1 Claim, 10 Drawing Sheets



(56)

References Cited

U.S. PATENT DOCUMENTS

7,537,295 B2 *	5/2009	Jackson	A47B 67/04				
				312/351				
D634,482 S *	3/2011	Sullivan	D30/108				
D634,483 S *	3/2011	Sullivan	D30/108				
D641,935 S *	7/2011	Sullivan	D30/108				
D643,629 S *	8/2011	Sofy	D3/302				
D670,111 S *	11/2012	McNamara	D6/705				
D670,943 S *	11/2012	Hertaus	D6/705				
D697,740 S *	1/2014	Clayborn	D6/659				
D708,875 S *	7/2014	McNamara	D6/705				
D740,026 S *	10/2015	Yamamoto	D3/297				
D740,027 S *	10/2015	Yamamoto	D3/297				
D740,563 S *	10/2015	Yamamoto	D3/297				
D780,264 S *	2/2017	Greenspon	D19/90				
D780,846 S *	3/2017	Greenspon	D19/77				
D841,327 S *	2/2019	Hsu	D3/297				
D841,983 S *	3/2019	Wang	D3/295				
D850,106 S *	6/2019	Yamamoto	D3/297				
D854,830 S	7/2019	Criste et al.						
D855,321 S *	8/2019	Yamamoto	D3/297				
D855,987 S *	8/2019	Yamamoto	D3/297				
D866,226 S *	11/2019	Burton	D6/672				
D900,476 S *	11/2020	McBride	D3/319				
D903,389 S *	12/2020	Carvalho	D6/705				
D922,147 S	6/2021	Joseph						
D934,566 S *	11/2021	Post	D3/306				
D941,581 S *	1/2022	Yamashiro	D3/294				
2002/0185945 A1 *	12/2002	Hollebone	F16B 12/46				
				312/265.1				
2009/0212674 A1 *	8/2009	Harris	A47B 83/00				
				312/237				
2011/0304249 A1 *	12/2011	Lai	A47B 88/9418				
				312/265.5				
2020/0178686 A1 *	6/2020	Hermann	A47B 31/00				
2022/0312609 A1 *	9/2022	Comtois	H05K 5/0247				

* cited by examiner

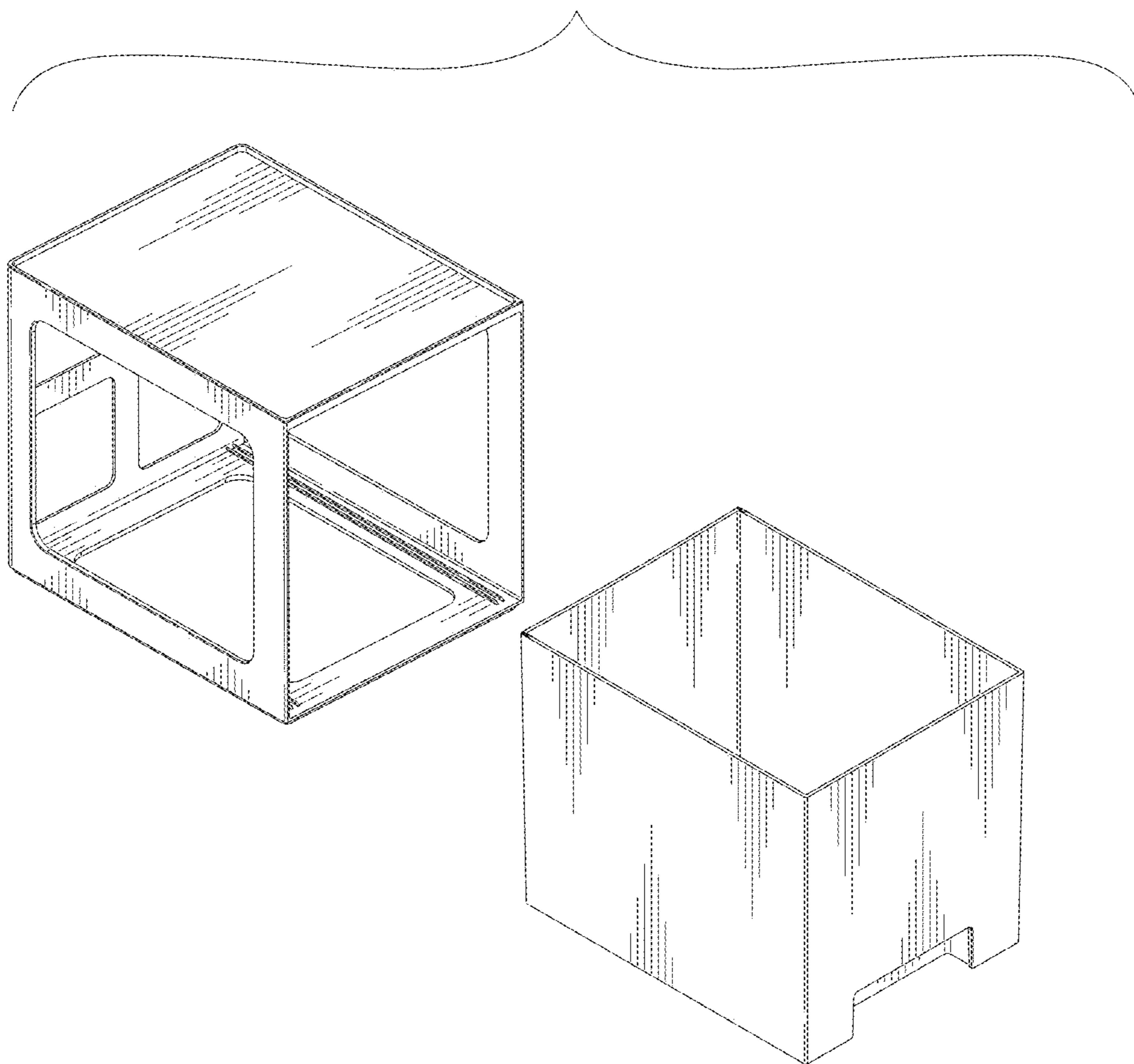


FIG. 1

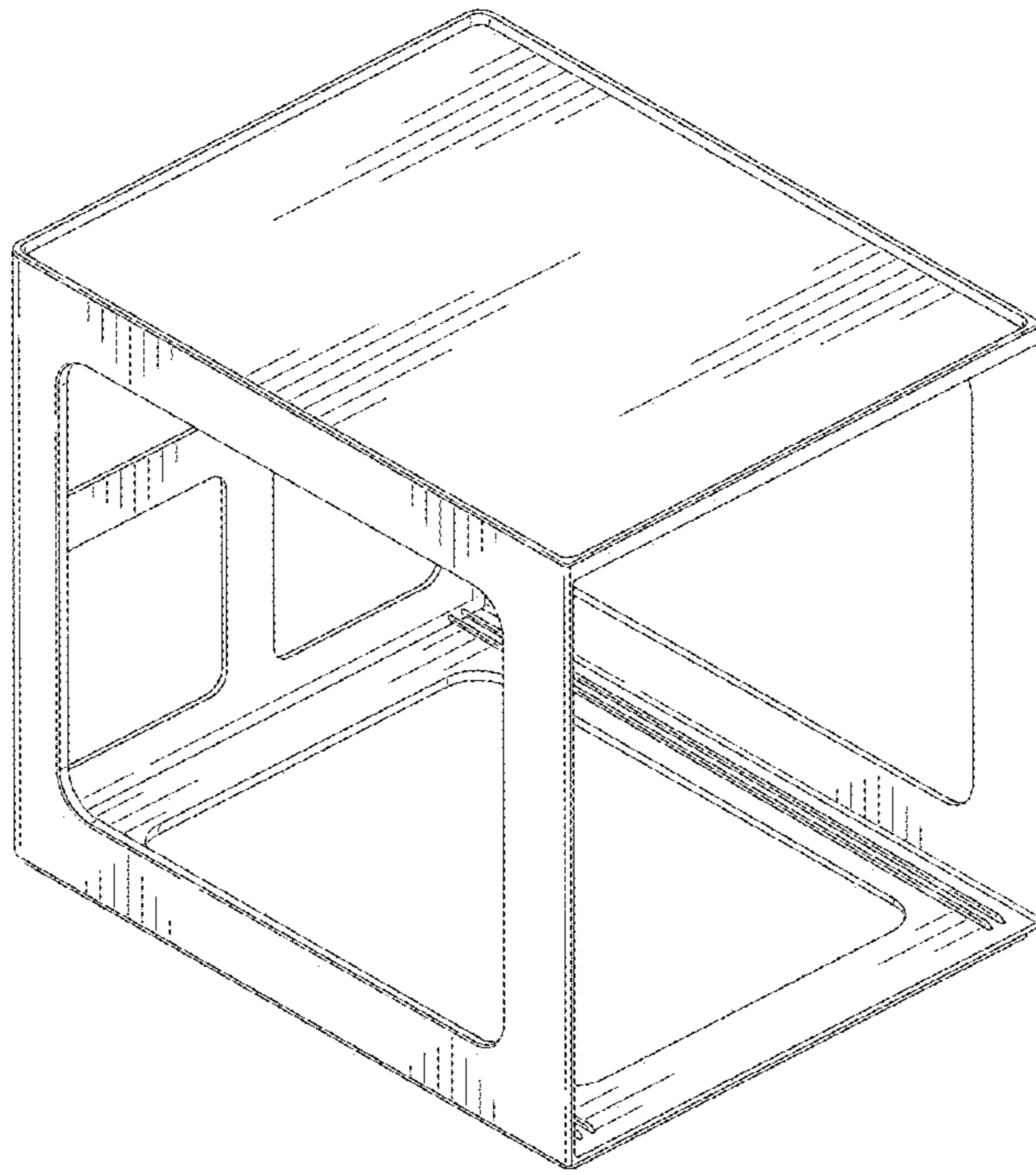


FIG. 2

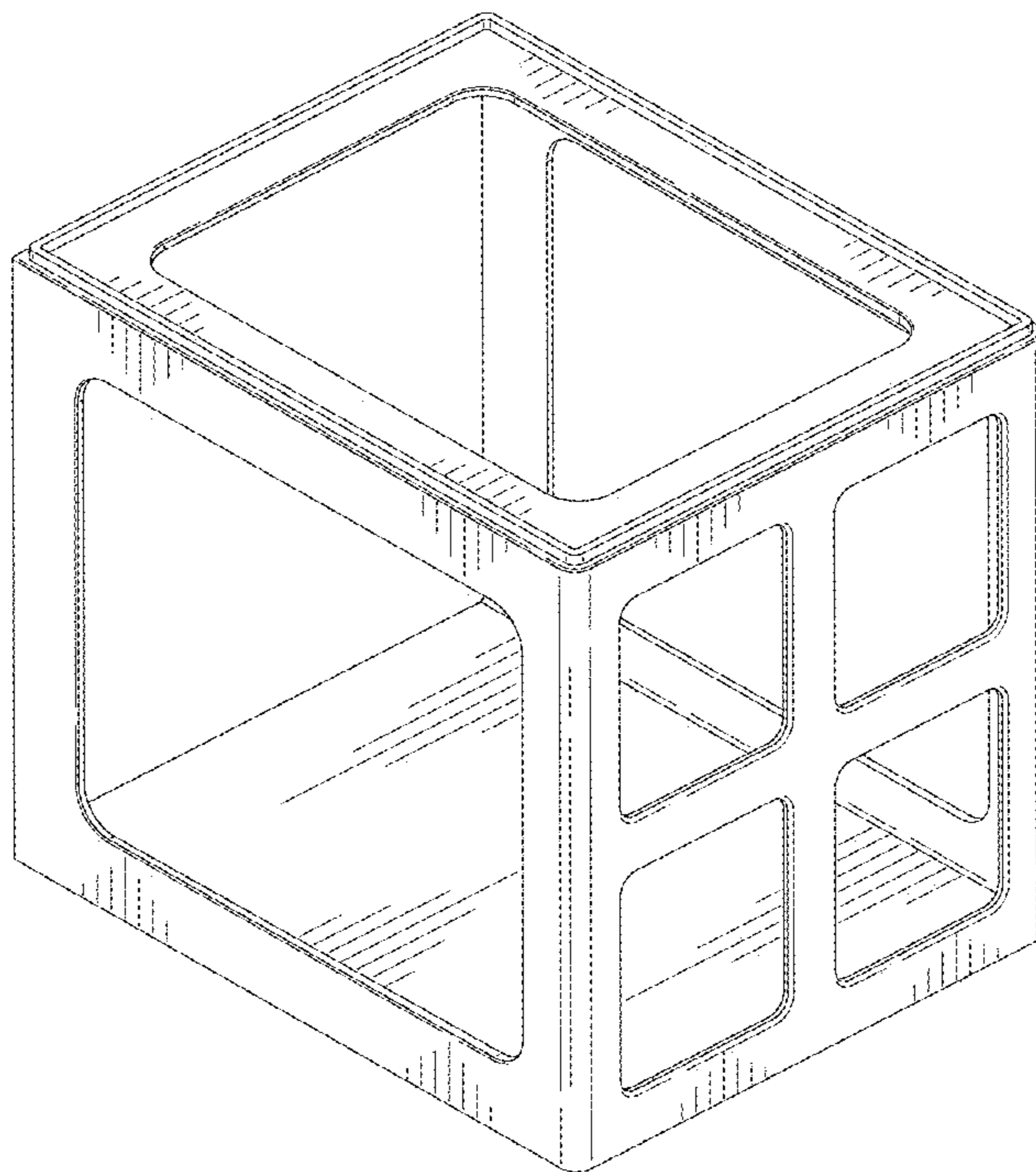


FIG. 3

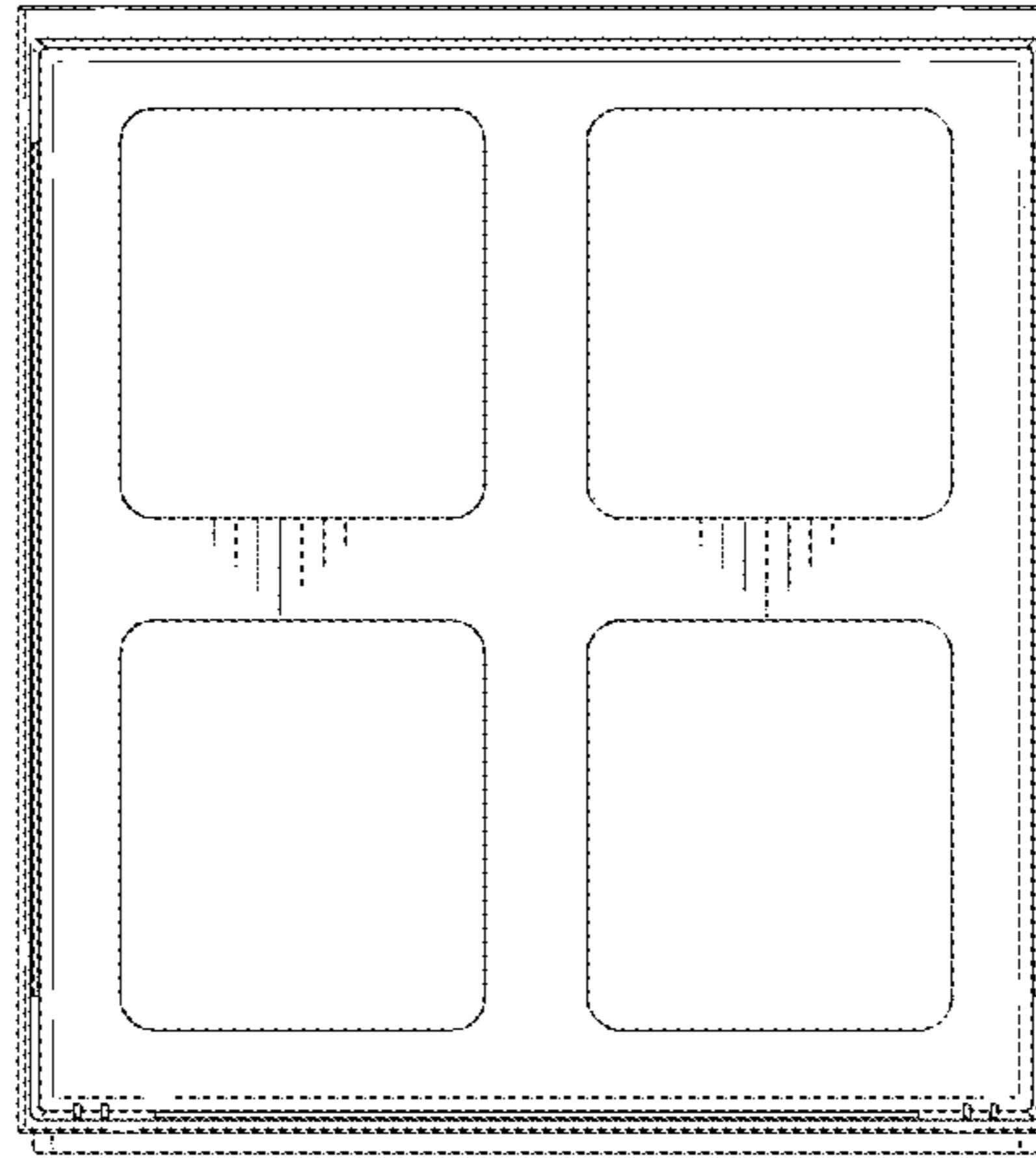


FIG. 4

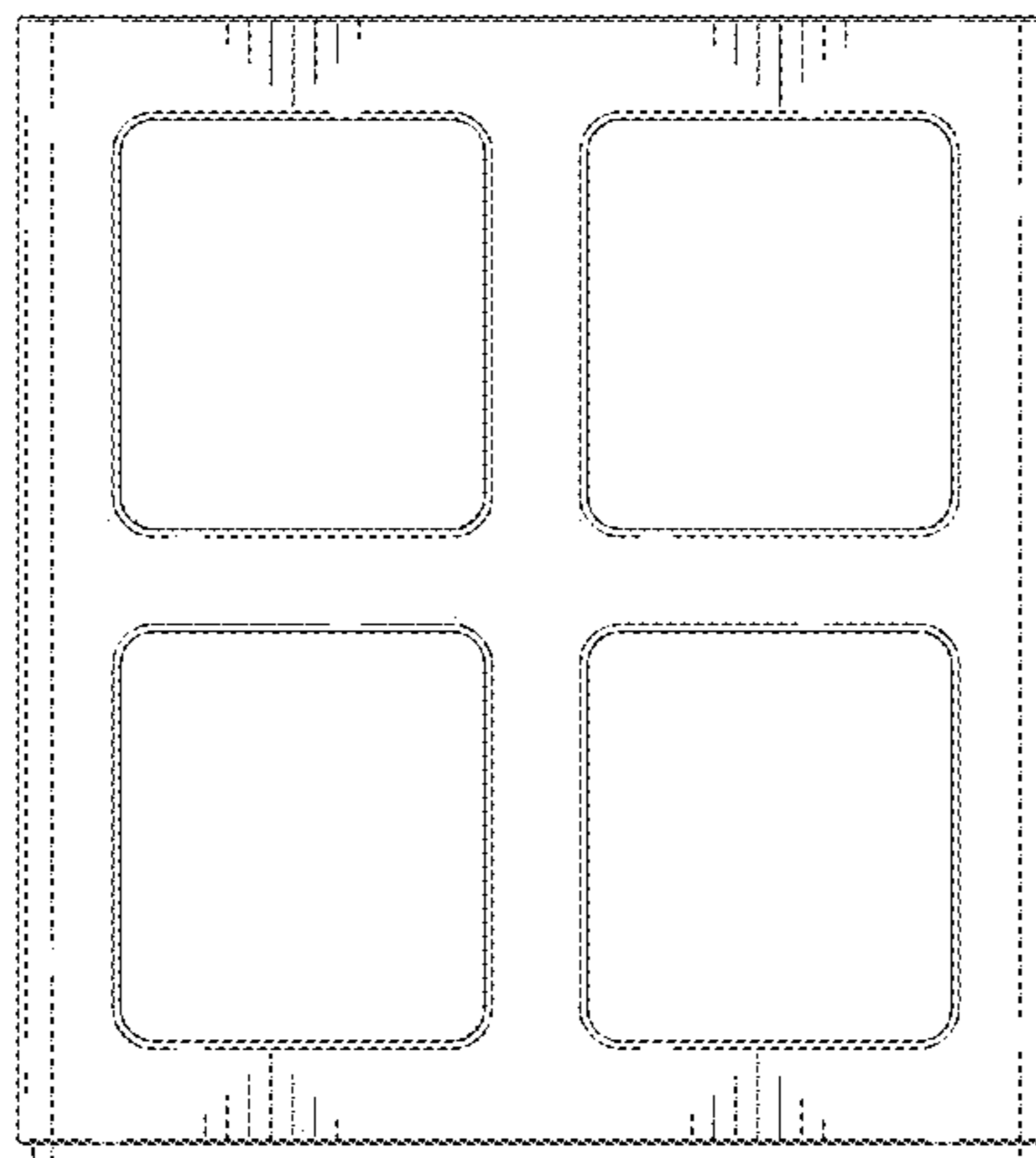


FIG. 5

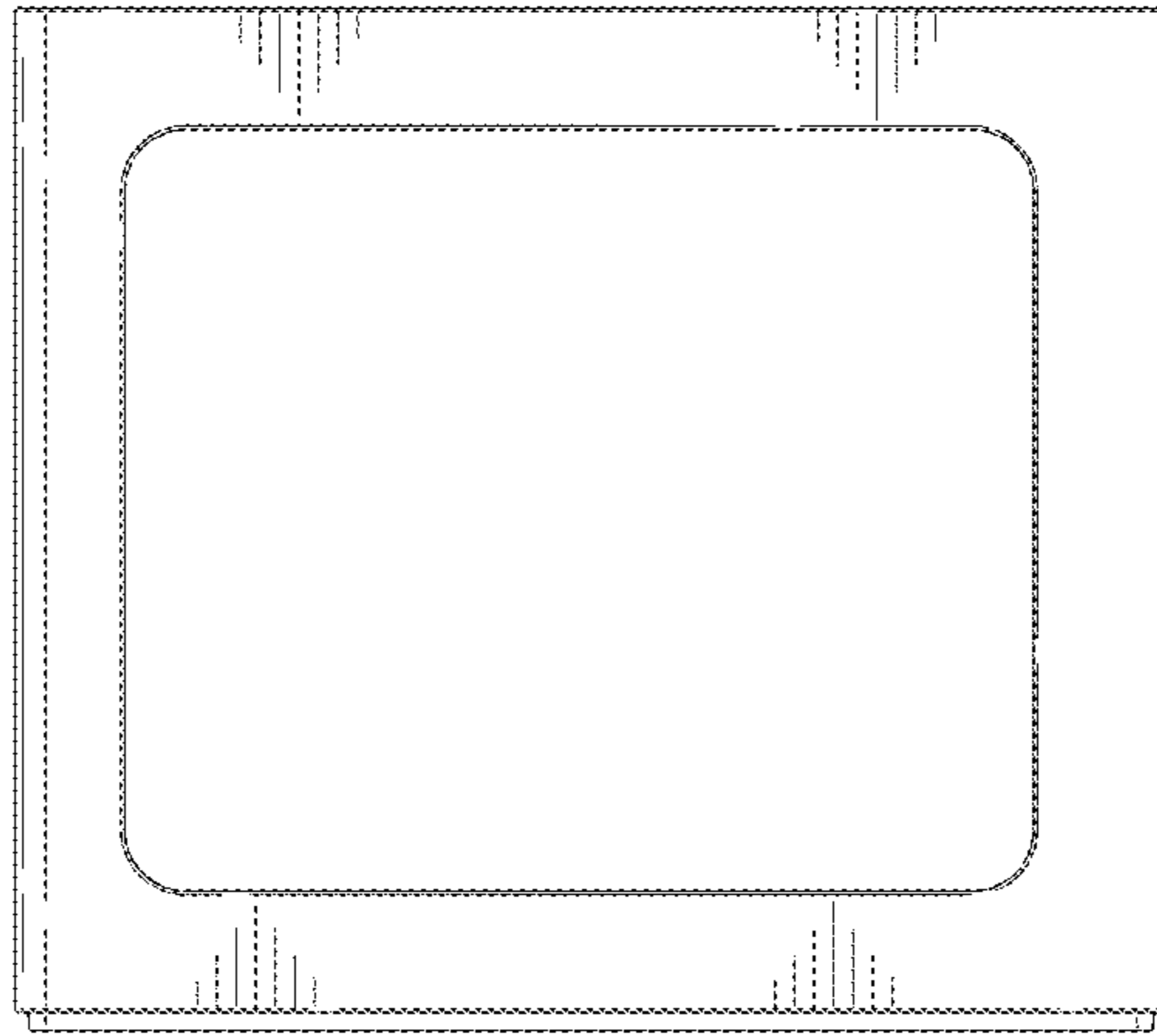


FIG. 6

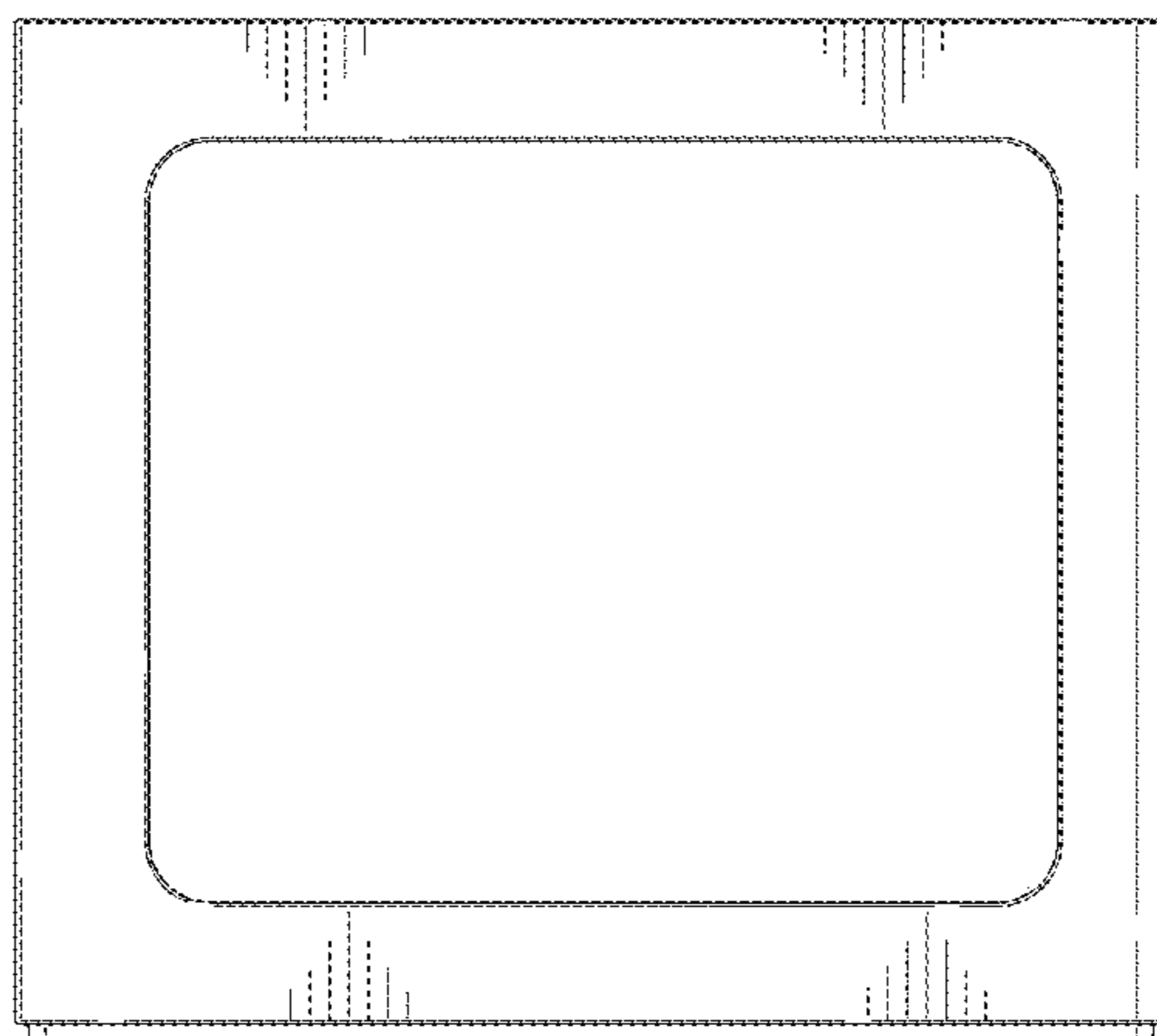


FIG. 7

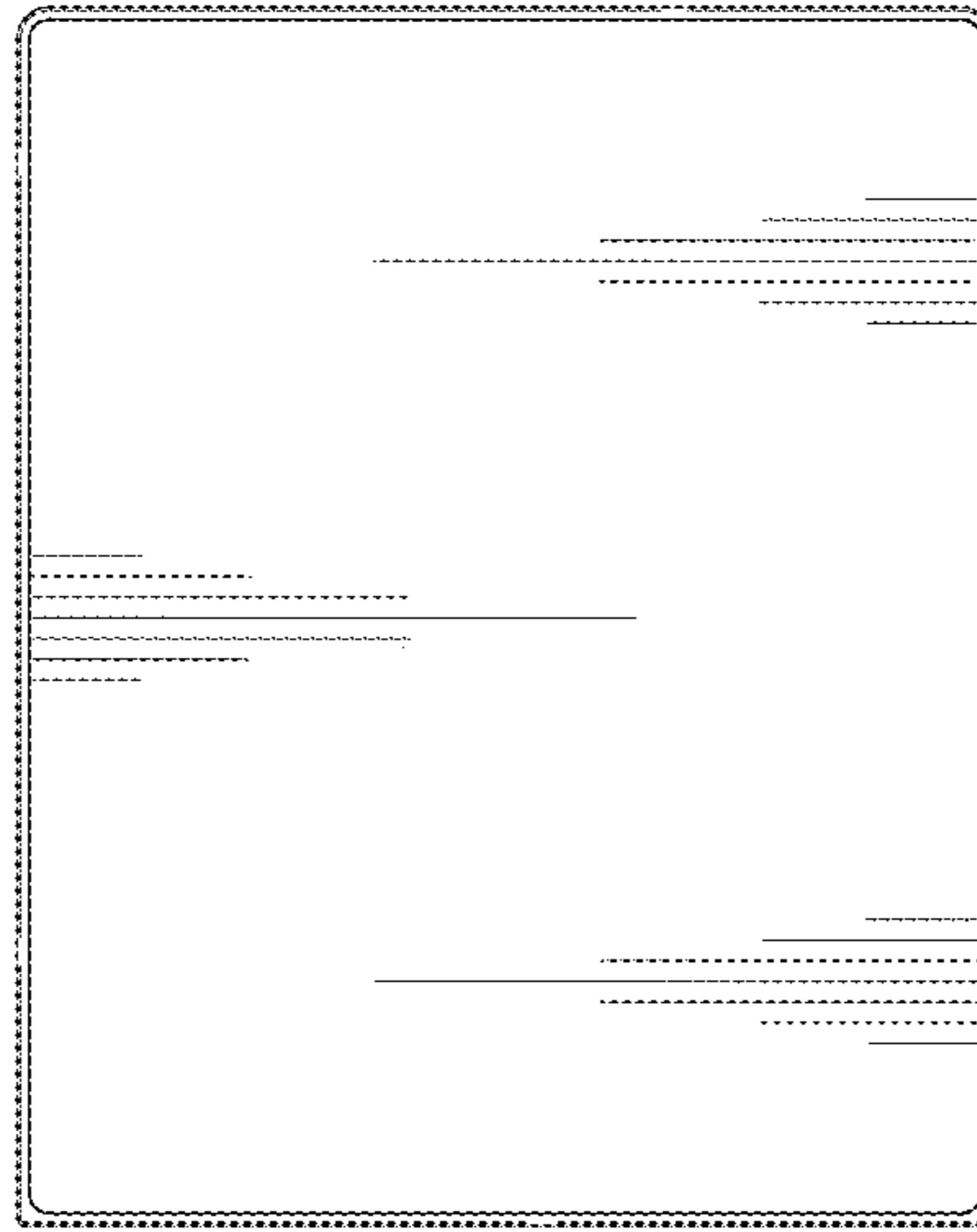


FIG. 8

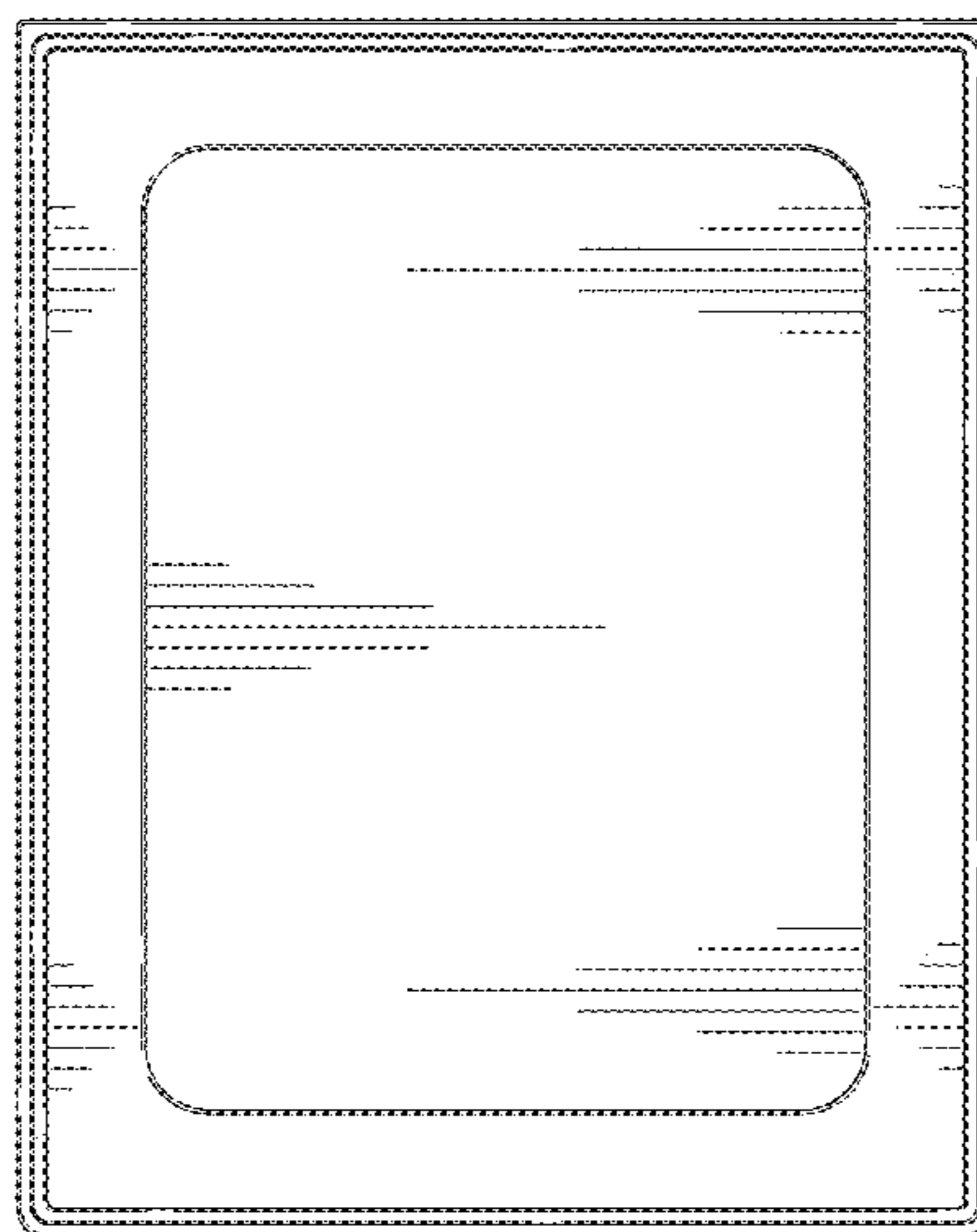


FIG. 9

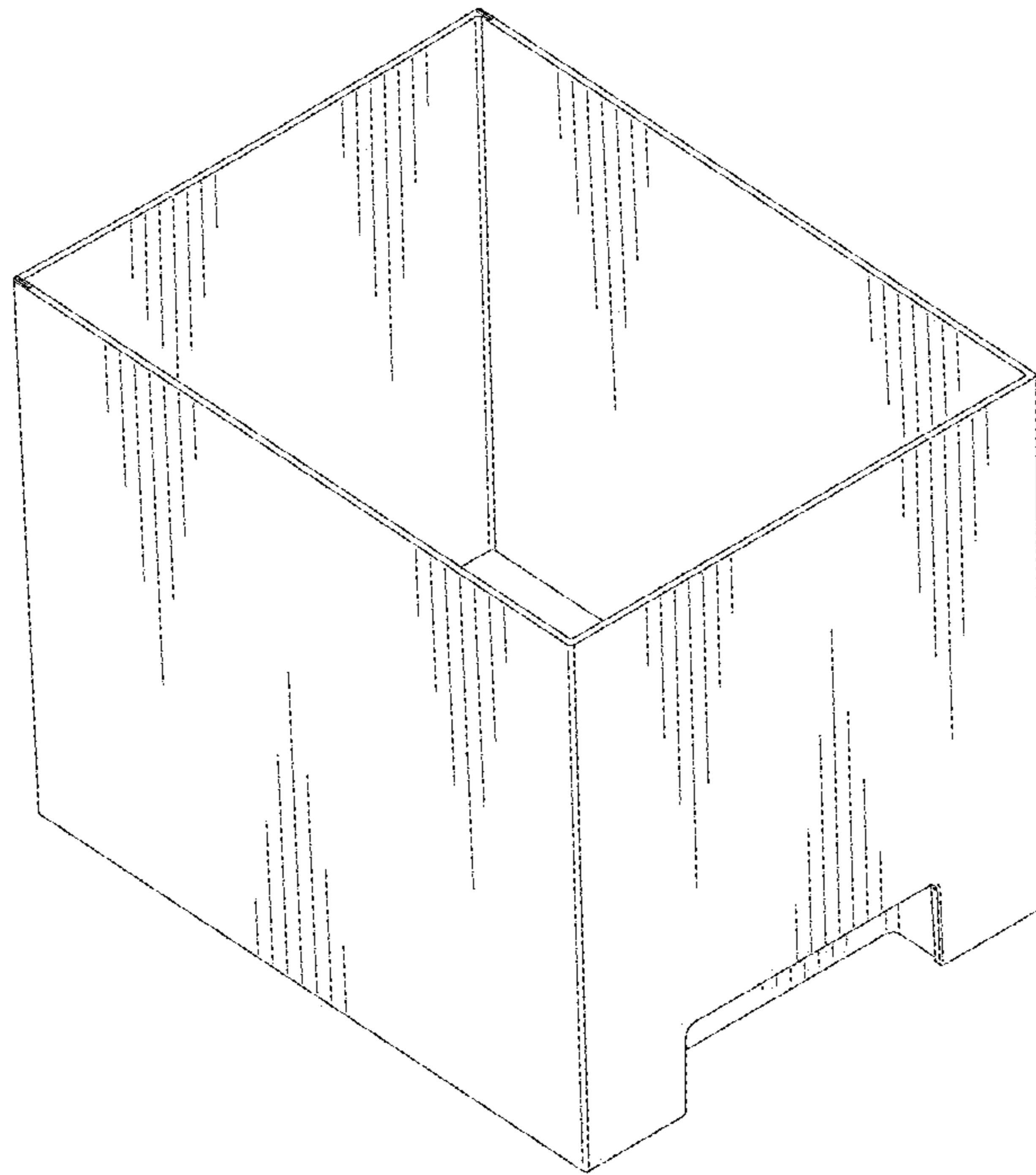


FIG. 10

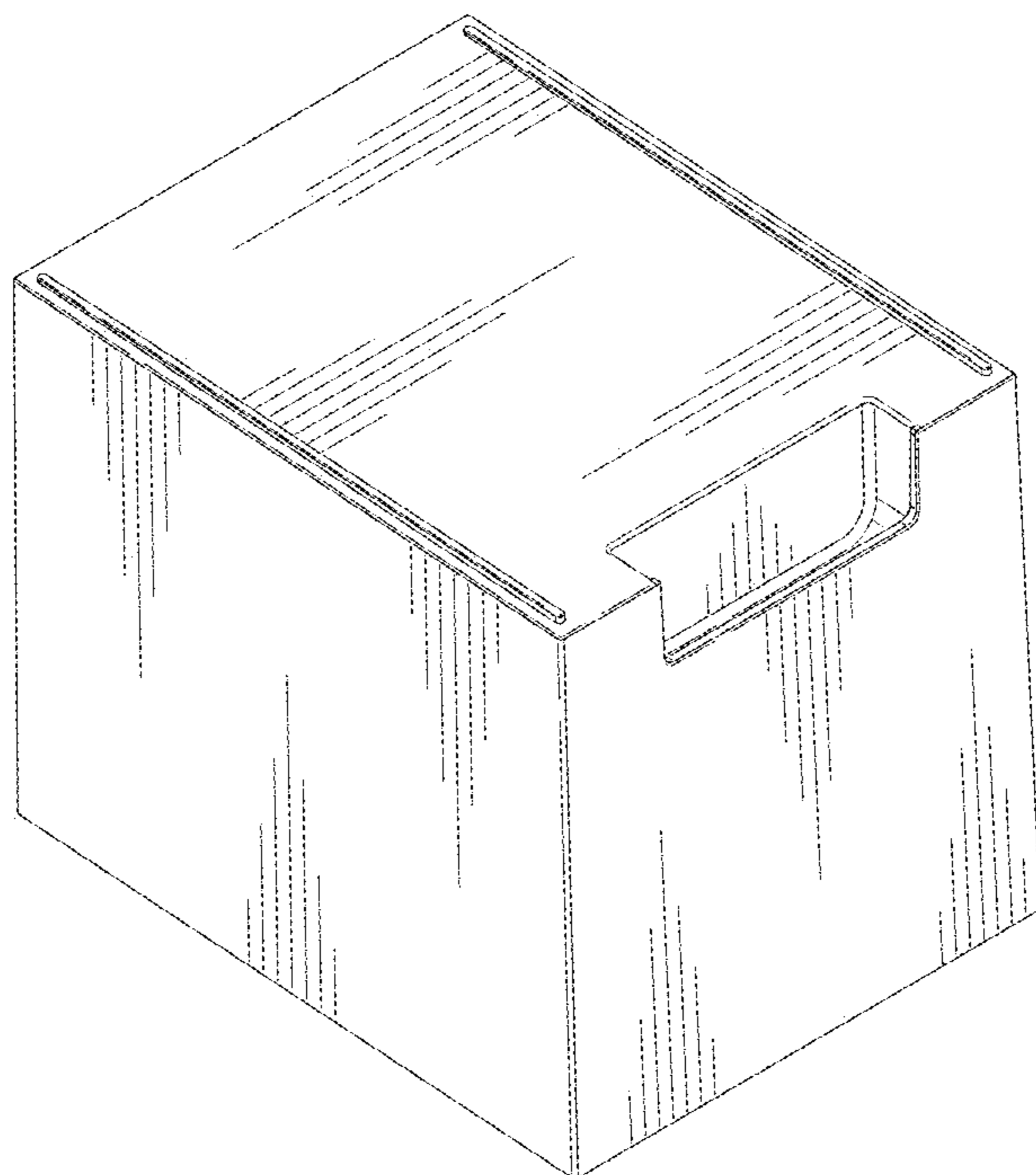


FIG. 11

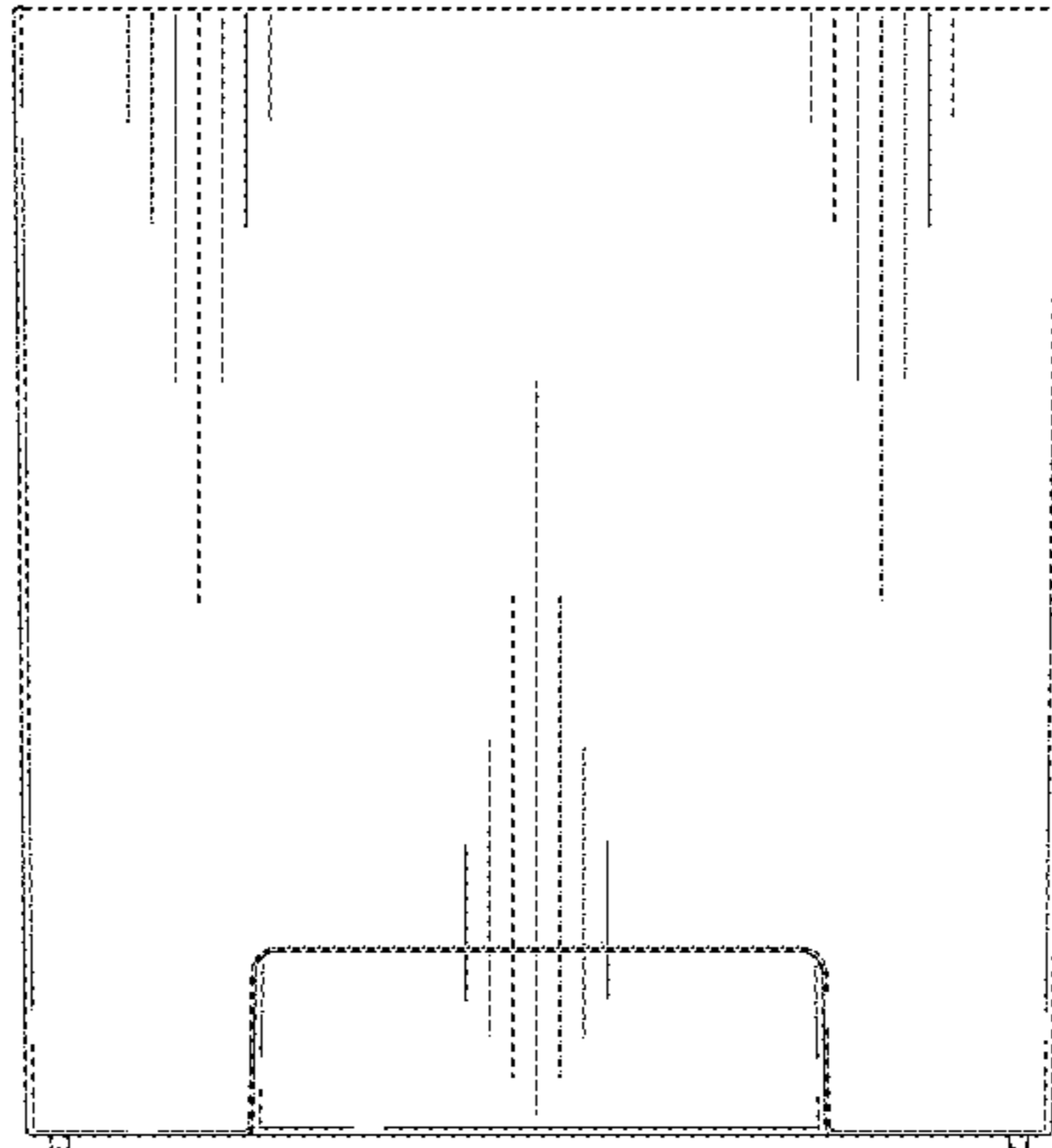


FIG.12

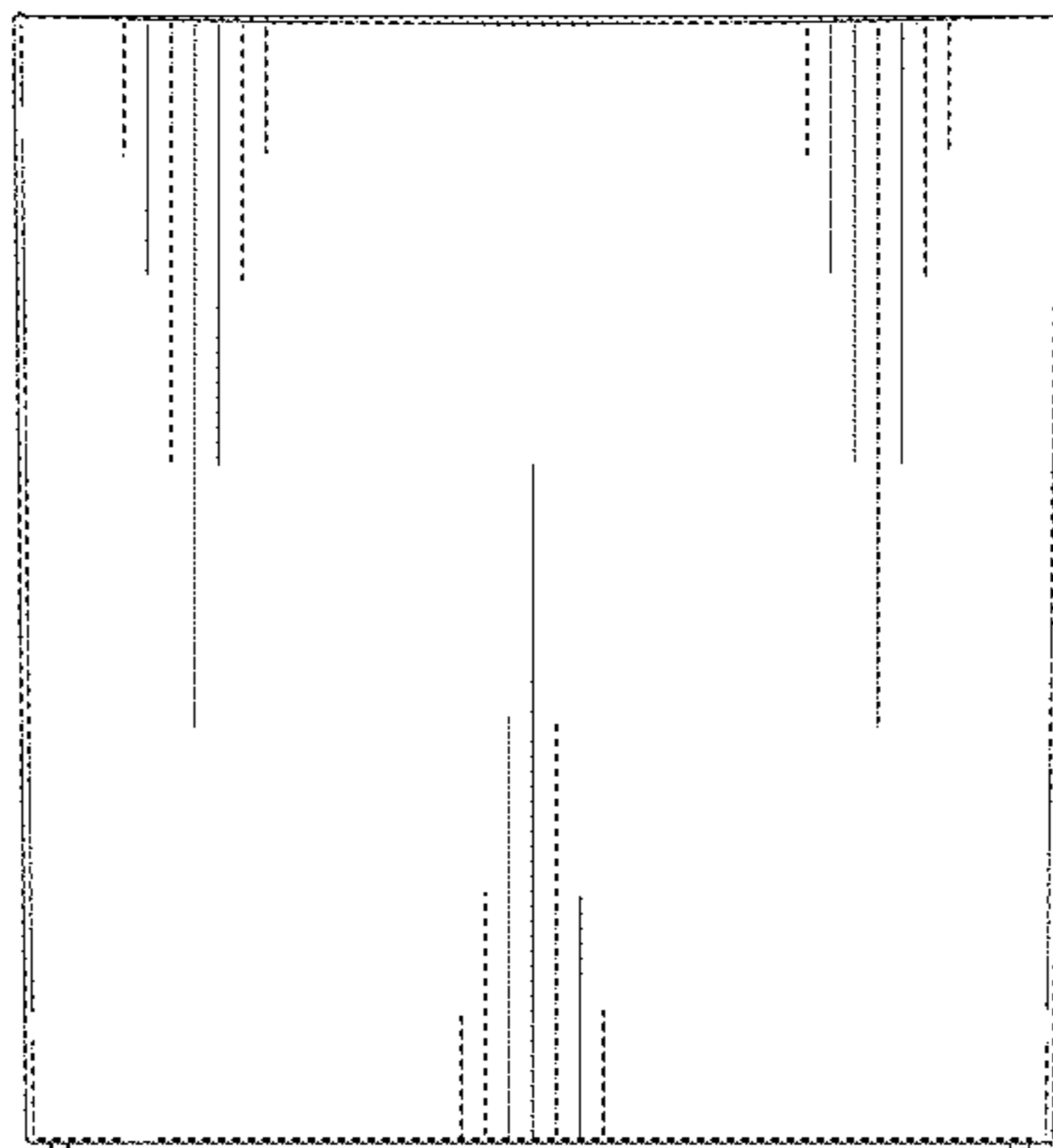


FIG.13

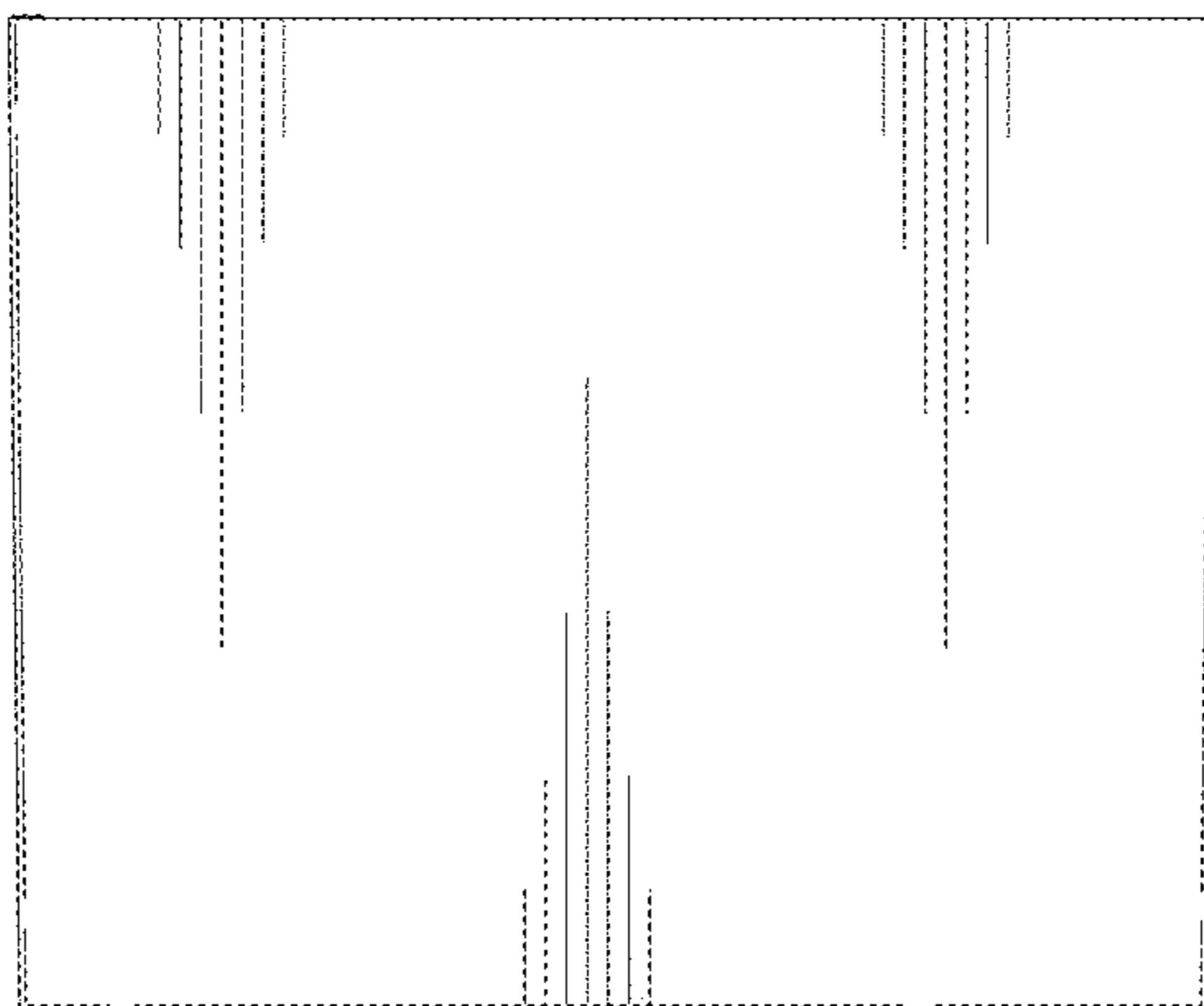


FIG.14

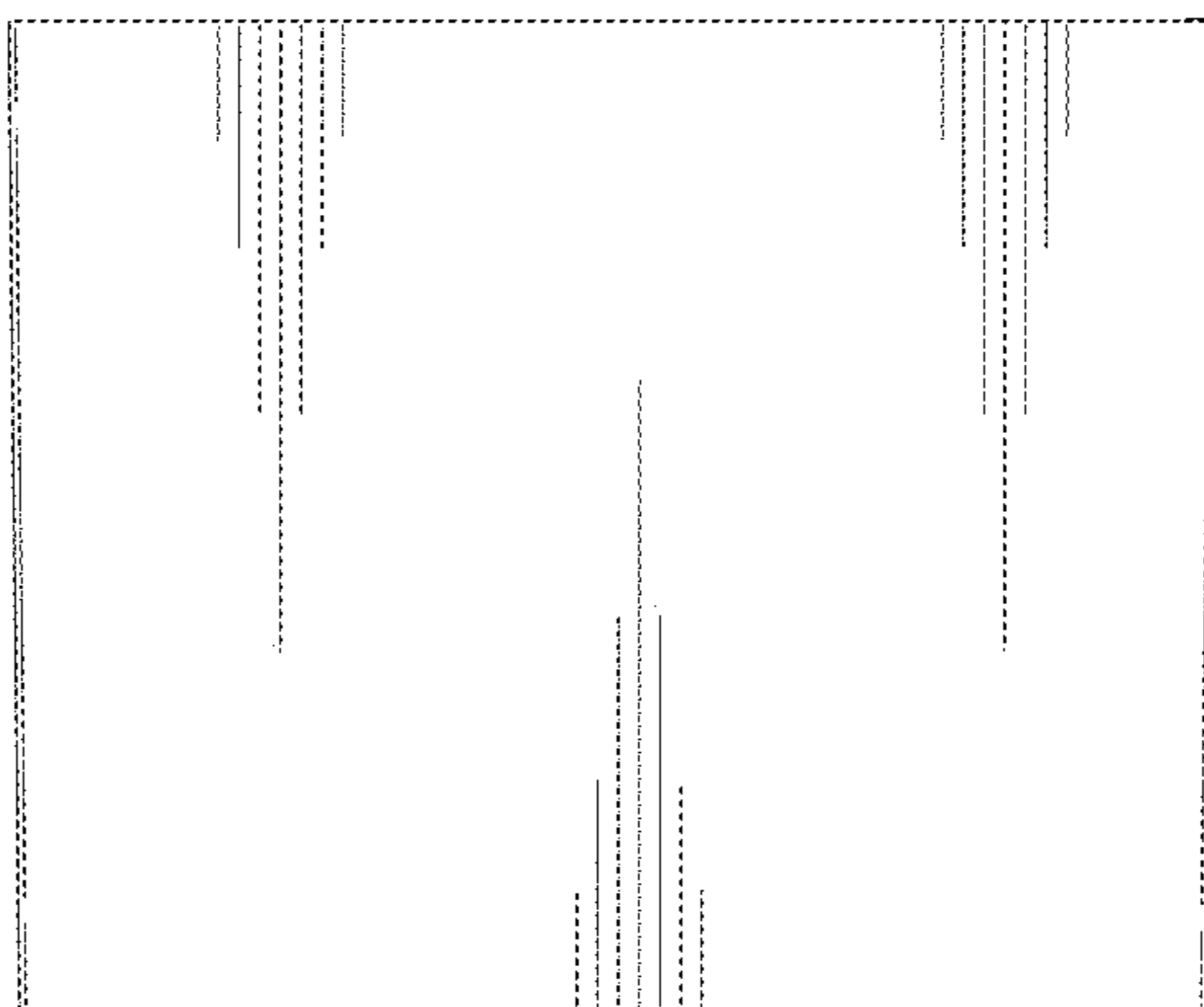


FIG.15

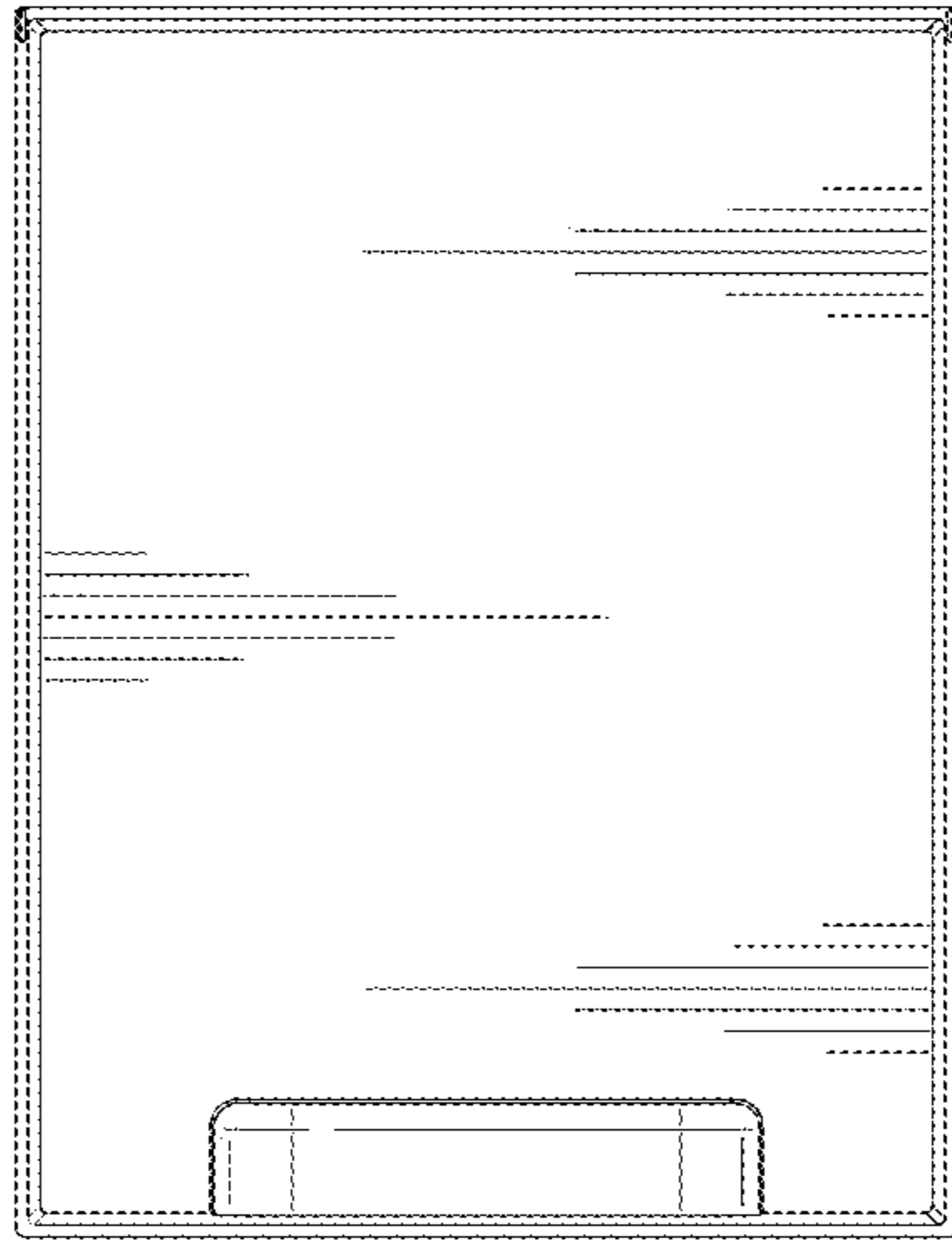


FIG. 16

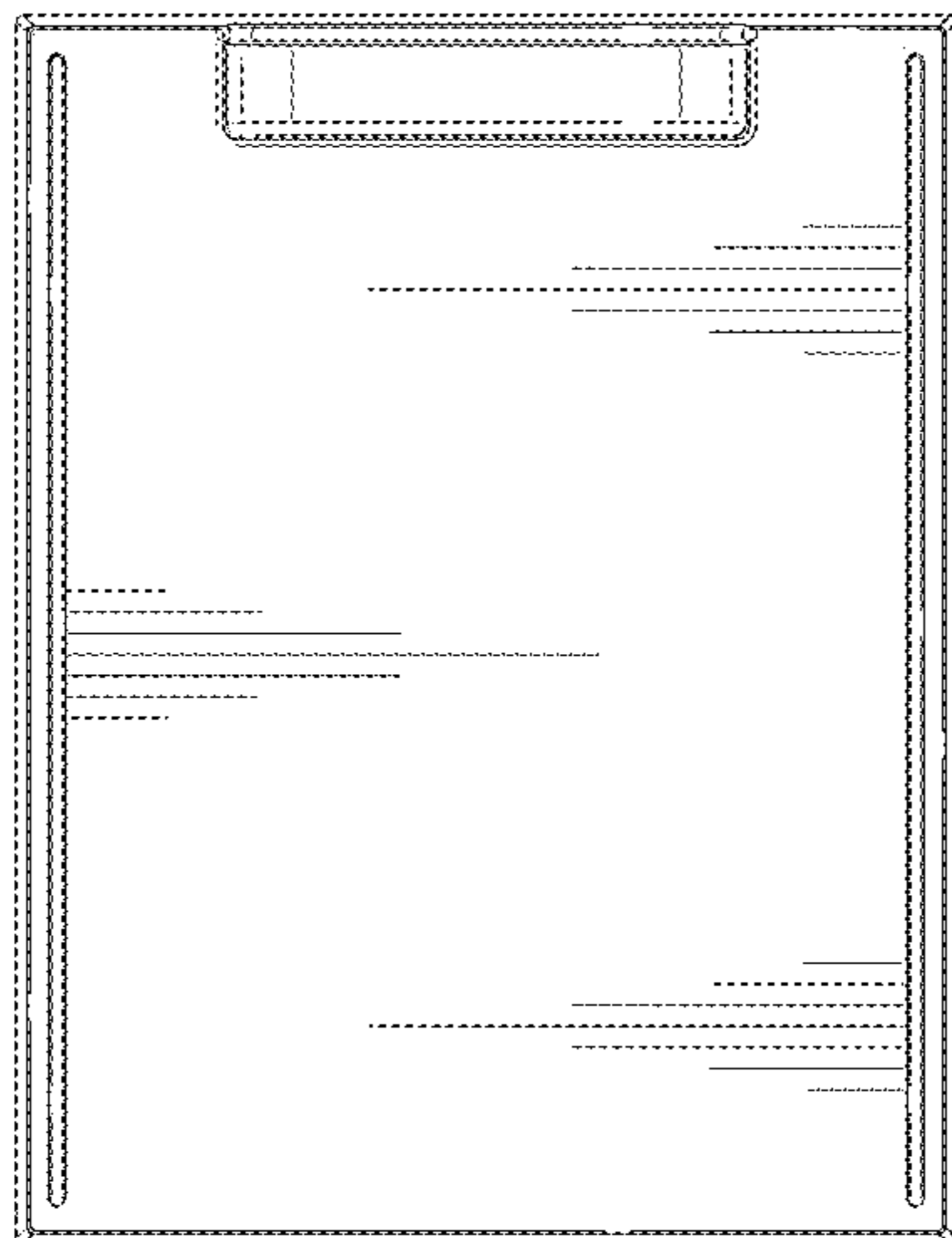


FIG. 17

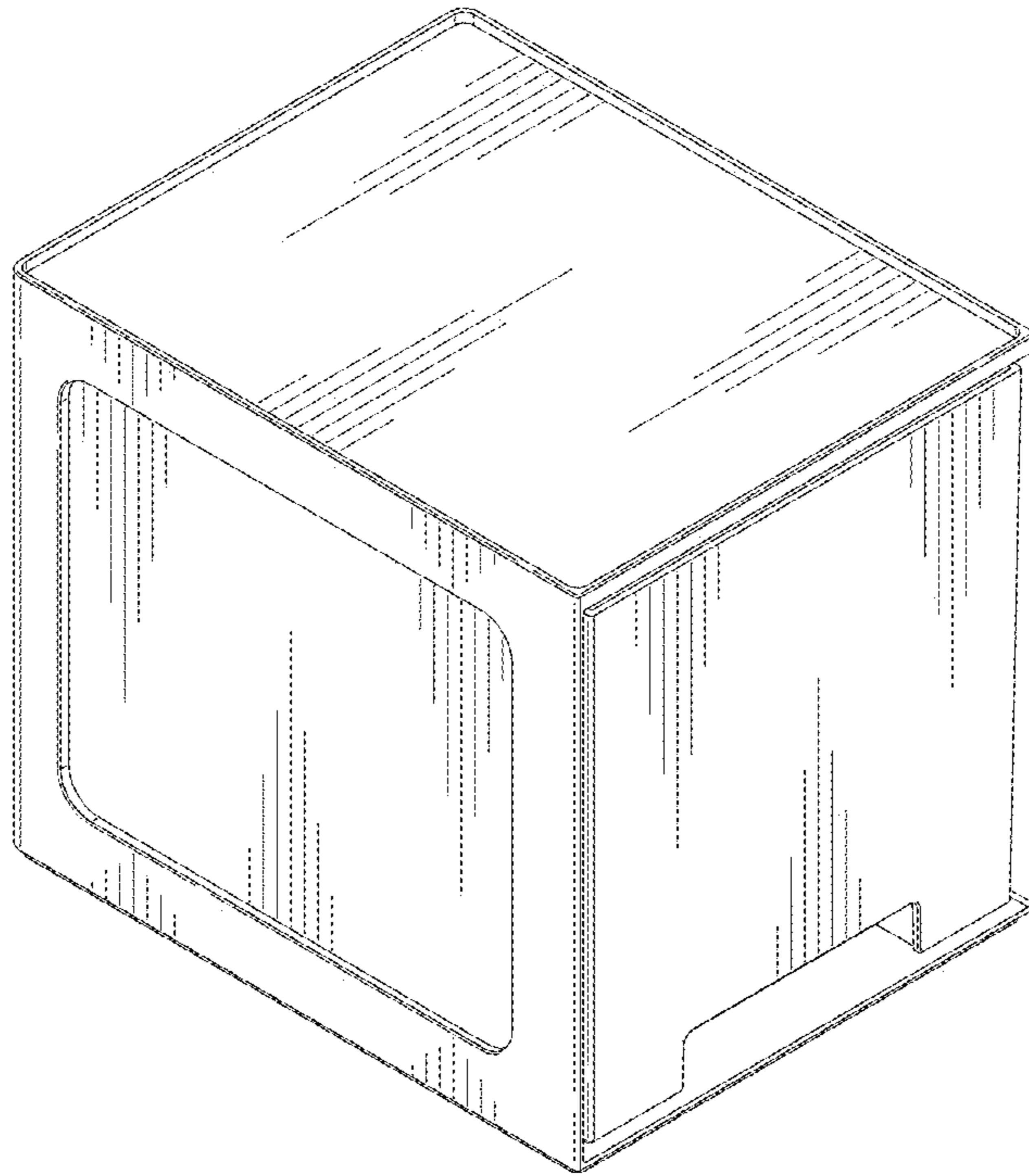


FIG. 18

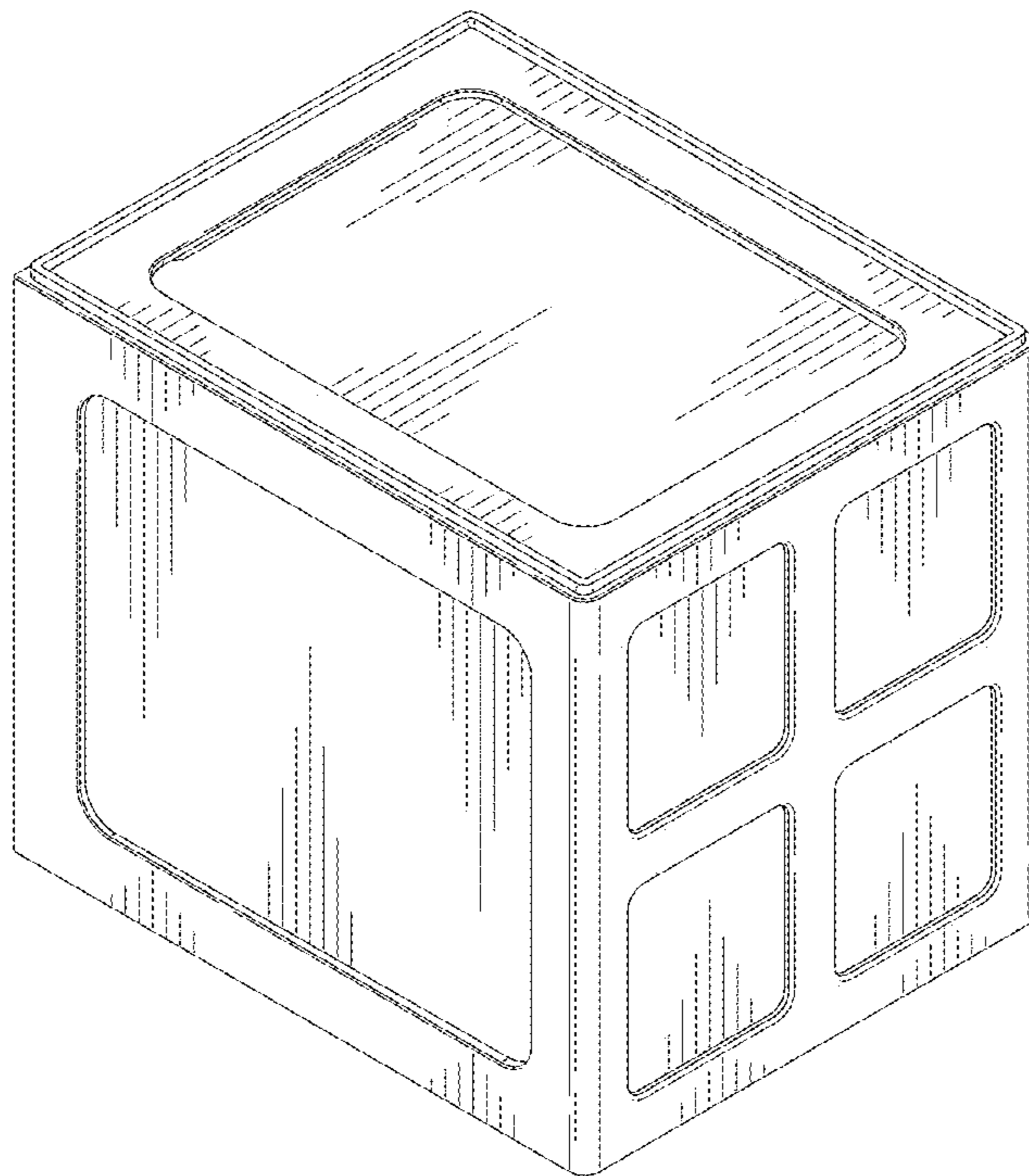


FIG. 19