

US00D977835S

(12) **United States Design Patent** (10) **Patent No.:** **US D977,835 S**
Fang (45) **Date of Patent:** **** Feb. 14, 2023**

(54) **TOILETRY BAG**

Primary Examiner — April Rivas

(71) Applicant: **XIAMEN ZEMU E-COMMERCE CO., LTD.**, Xiamen (CN)

(57) **CLAIM**

The ornamental design for a toiletry bag, as shown and described.

(72) Inventor: **Ting Fang**, Xiamen (CN)

(73) Assignee: **XIAMEN ZEMU E-COMMERCE CO., LTD.**, Xiamen (CN)

DESCRIPTION

(**) Term: **15 Years**

(21) Appl. No.: **29/805,474**

(22) Filed: **Aug. 27, 2021**

(51) **LOC (14) Cl.** **03-01**

(52) **U.S. Cl.**
USPC **D3/285**; D3/289; D3/901

(58) **Field of Classification Search**
USPC D7/637, 641; D3/273, 276, 285, 287,
D3/283, 289, 301, 901, 903, 206, 205;
D19/83, 85
CPC A47G 29/08; A47J 45/02; A45C 11/008;
A45C 5/005; A45D 44/18
See application file for complete search history.

FIG. 1 is a perspective view of a first embodiment of a toiletry bag showing my new design, shown in an open state; FIG. 2 is another perspective view thereof; FIG. 3 is a front elevational view thereof; FIG. 4 is a rear elevational view thereof; FIG. 5 is a left side elevational view thereof; FIG. 6 is a right side elevational view thereof; FIG. 7 is a top plan view thereof; FIG. 8 is a bottom plan view thereof; FIG. 9 is a perspective view of the toiletry bag where the toiletry bag is in a closed state; FIG. 10 is an enlarged view of portion 10 shown in FIG. 1; FIG. 11 is a perspective view of a second embodiment of the toiletry bag shown in an open state; FIG. 12 is another perspective view thereof; FIG. 13 is a front elevational view thereof; FIG. 14 is a rear elevational view thereof; FIG. 15 is a left side elevational view thereof; FIG. 16 is a right side elevational view thereof; FIG. 17 is a top plan view thereof; FIG. 18 is a bottom plan view thereof; FIG. 19 is a perspective view of the toiletry bag where the toiletry bag is in a second open state; FIG. 20 is a perspective view of the toiletry bag where the toiletry bag is in a closed state; and, FIG. 21 is an enlarged view of portion 21 shown in FIG. 11. The dash-dash broken lines in the drawings depict portions of the toiletry bag that form no part of the claimed design. The dot-dash broken lines represent boundaries of the enlarged portions and form no part of the claimed design.

(56) **References Cited**

U.S. PATENT DOCUMENTS

D338,104 S *	8/1993	Lee	D3/289
D455,005 S *	4/2002	Wolf	D3/205
D560,361 S *	1/2008	Huang	D3/301
D662,711 S *	7/2012	Raible	D3/285

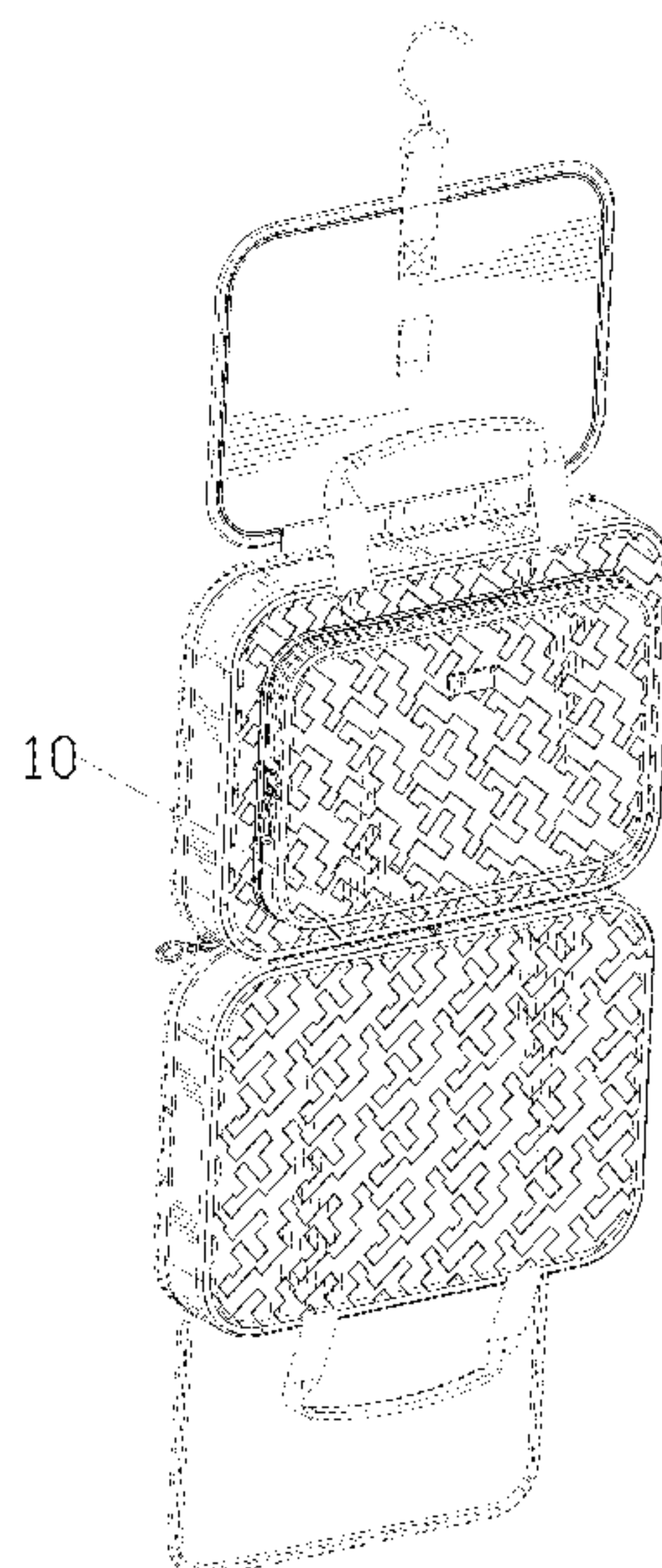
(Continued)

OTHER PUBLICATIONS

Amazon, "Nishel Large Hanging Travel Toiletry Bag . . .", First reviewed Oct. 17, 2020. (<https://www.amazon.com/dp/B08JPKFYPG/?th=1>) (Year: 2020).*

(Continued)

1 Claim, 21 Drawing Sheets



(56)

References Cited

U.S. PATENT DOCUMENTS

D721,493 S * 1/2015 Godshaw D3/301
D739,142 S * 9/2015 Coleman D3/285
D790,211 S * 6/2017 Constantini D3/205
D852,491 S 7/2019 Wantland
D854,827 S * 7/2019 Yuan D3/289
D857,375 S 8/2019 Case et al.
D885,749 S * 6/2020 Yuan D3/205

OTHER PUBLICATIONS

Amazon, "Nishel Hanging Travel Toiletry Bag . . . ", First reviewed Mar. 18, 2021. (<https://www.amazon.com/dp/B093L52F4M/?th=1>) (Year: 2021).*

Amazon, "Nishel 4 Sections Hanging Travel Toiletry Bag . . . ", First reviewed Oct. 28, 2020. (<https://www.amazon.com/dp/B093LJ6HSH/?th=1>) (Year: 2020).*

Amazon, "Bagsmart Toiletry Bag Travel Bag with Hanging Hook . . . ", First reviewed Aug. 19, 2019. (<https://www.amazon.com/dp/B083X648R2/>) (Year: 2019).*

Amazon, "Bagsmart Toiletry Bag Hanging Travel Makeup Organizer", First reviewed Mar. 21, 2021. (<https://www.amazon.com/dp/B08SWJQ435/?th=1>) (Year: 2021).*

* cited by examiner

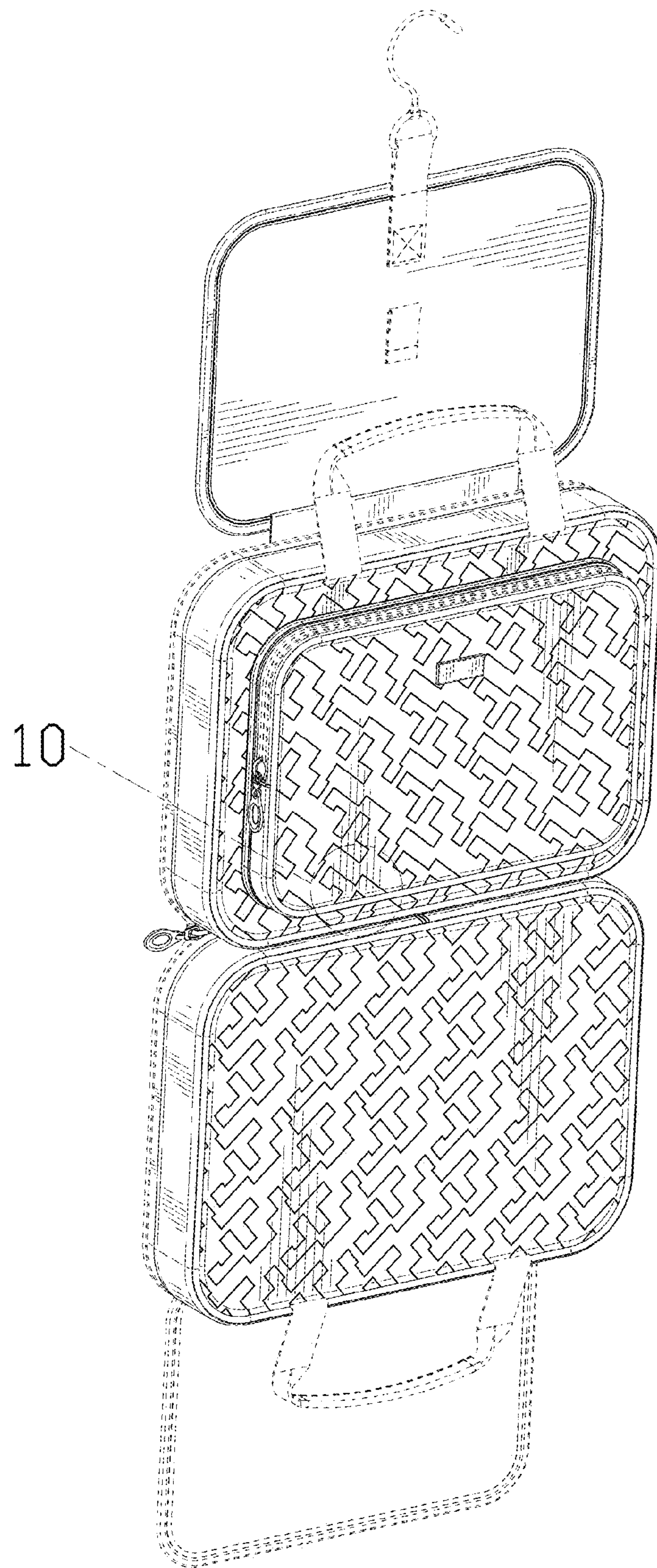


FIG. 1

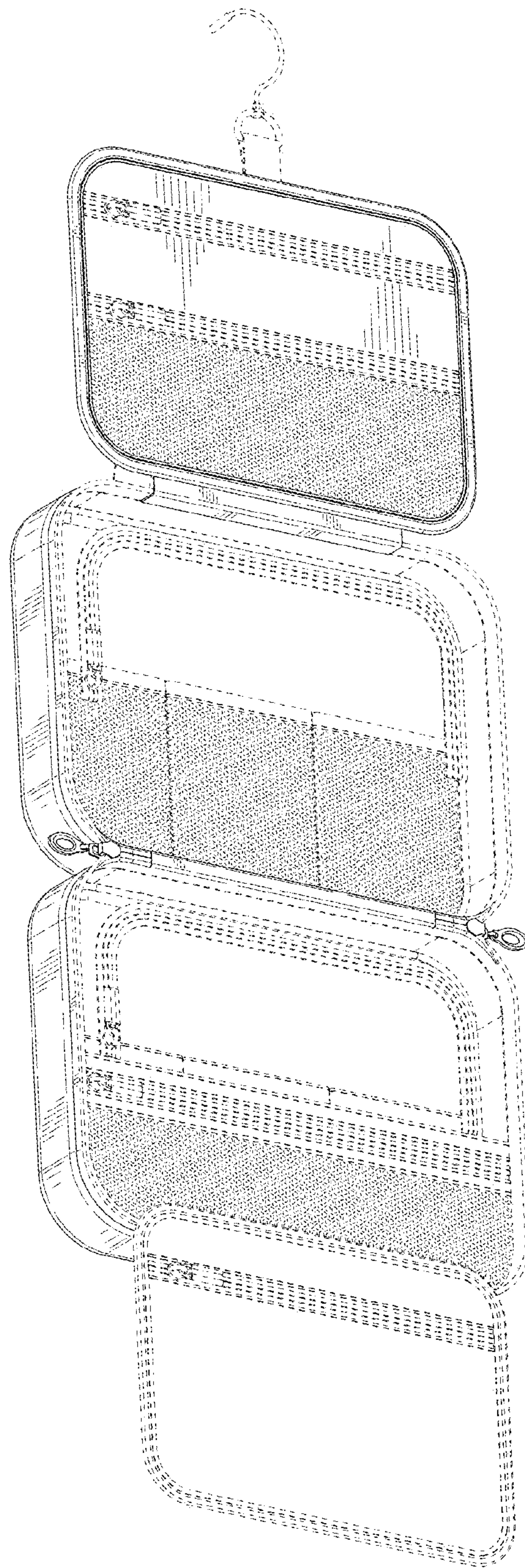


FIG. 2

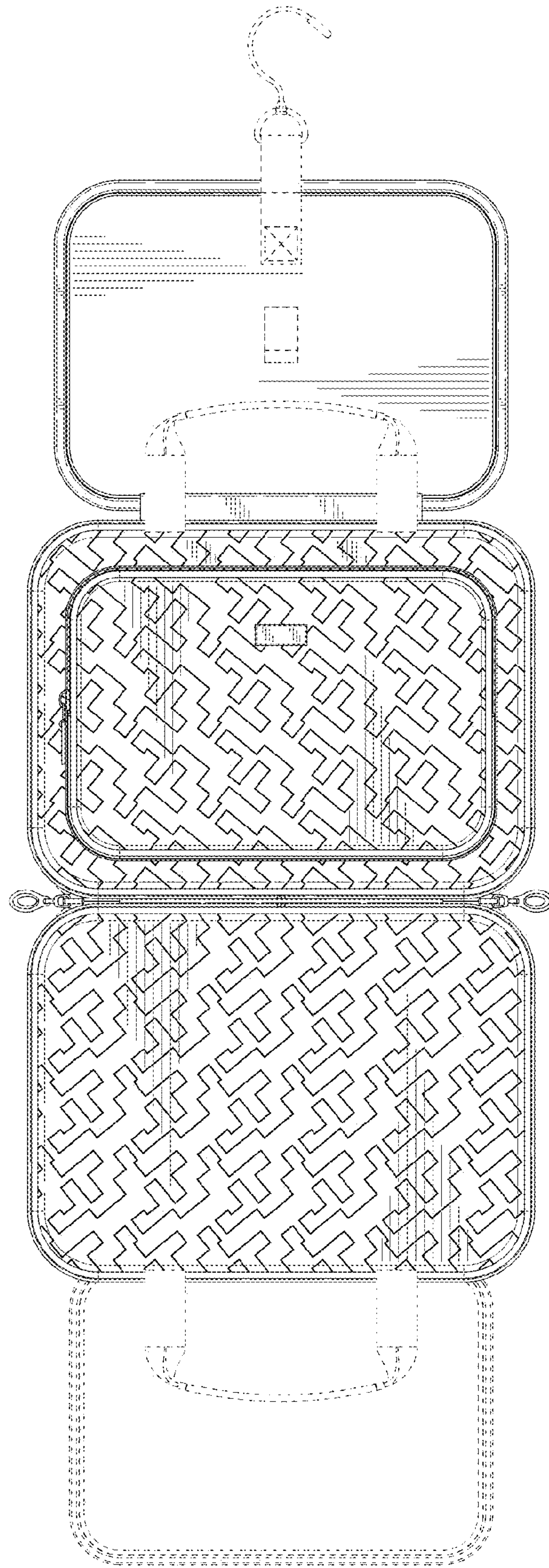


FIG. 3

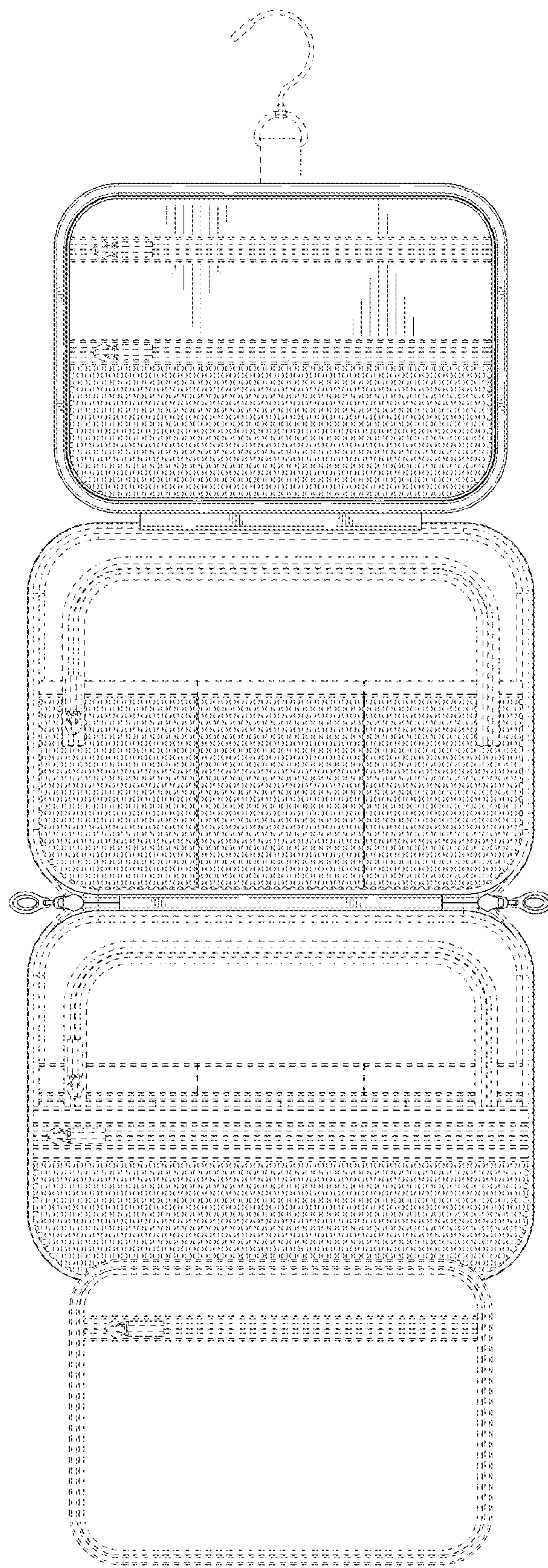


FIG. 4

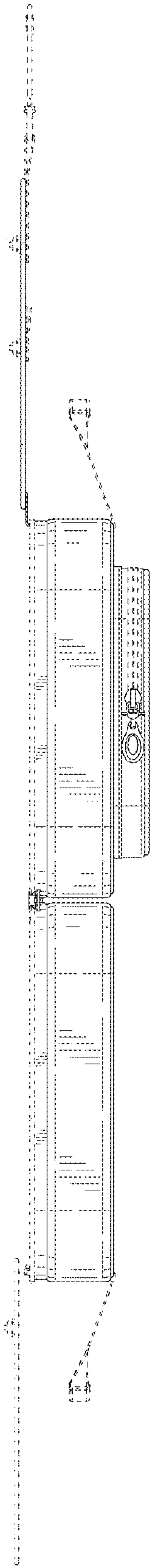


FIG. 5

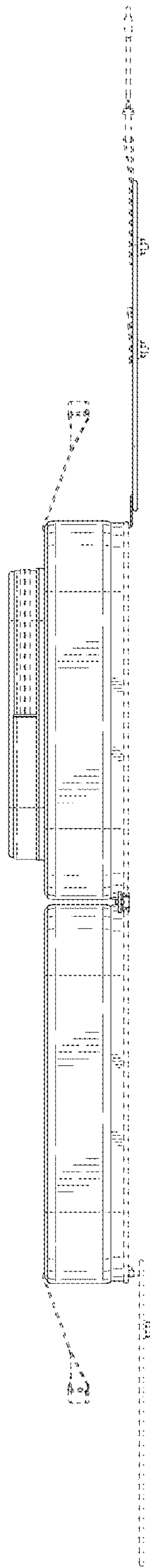


FIG. 6

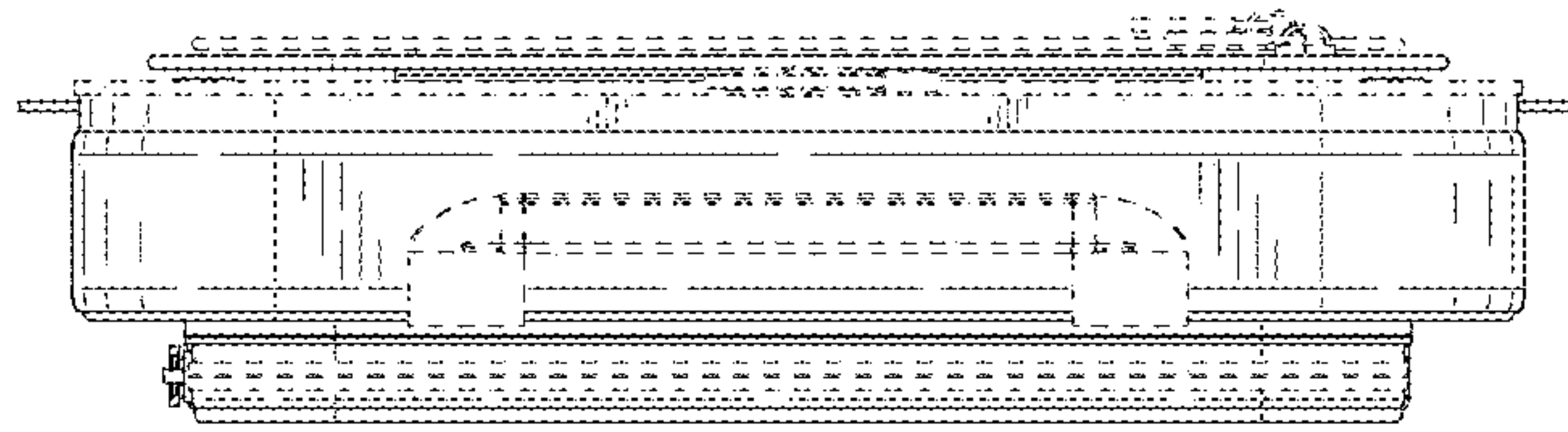


FIG. 7

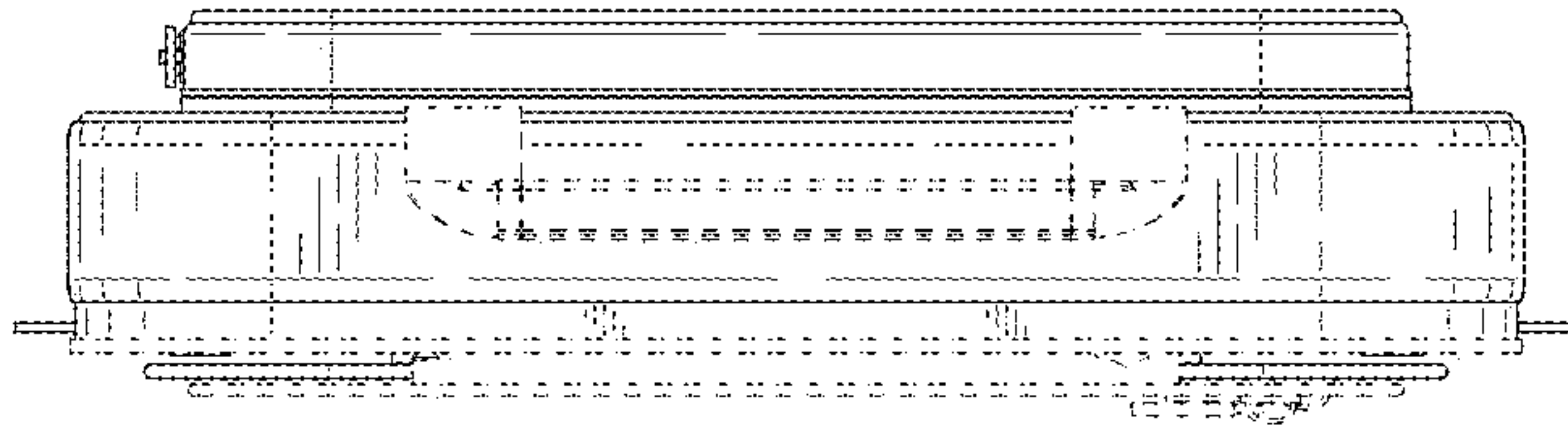


FIG. 8



FIG. 9

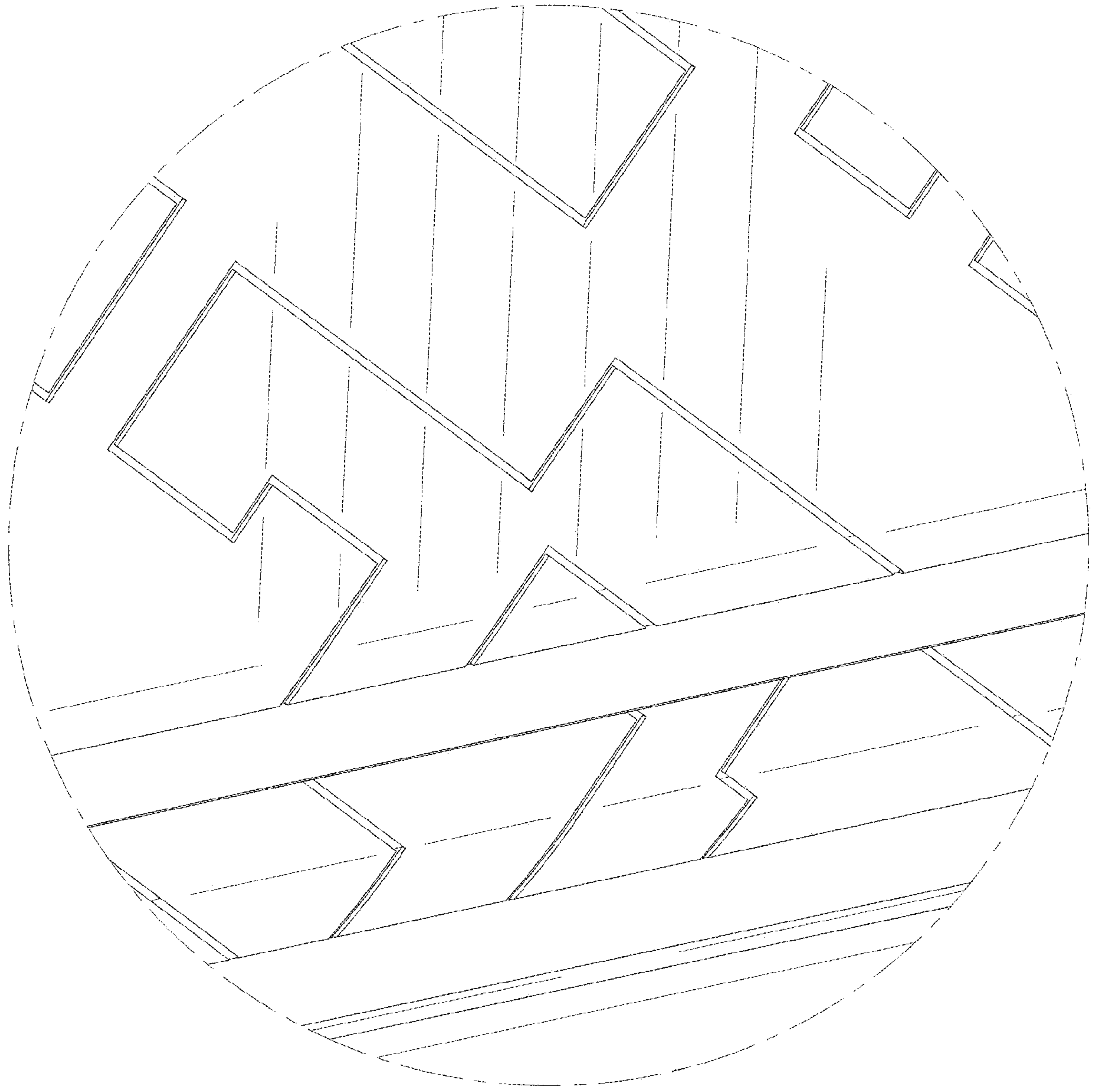


FIG. 10

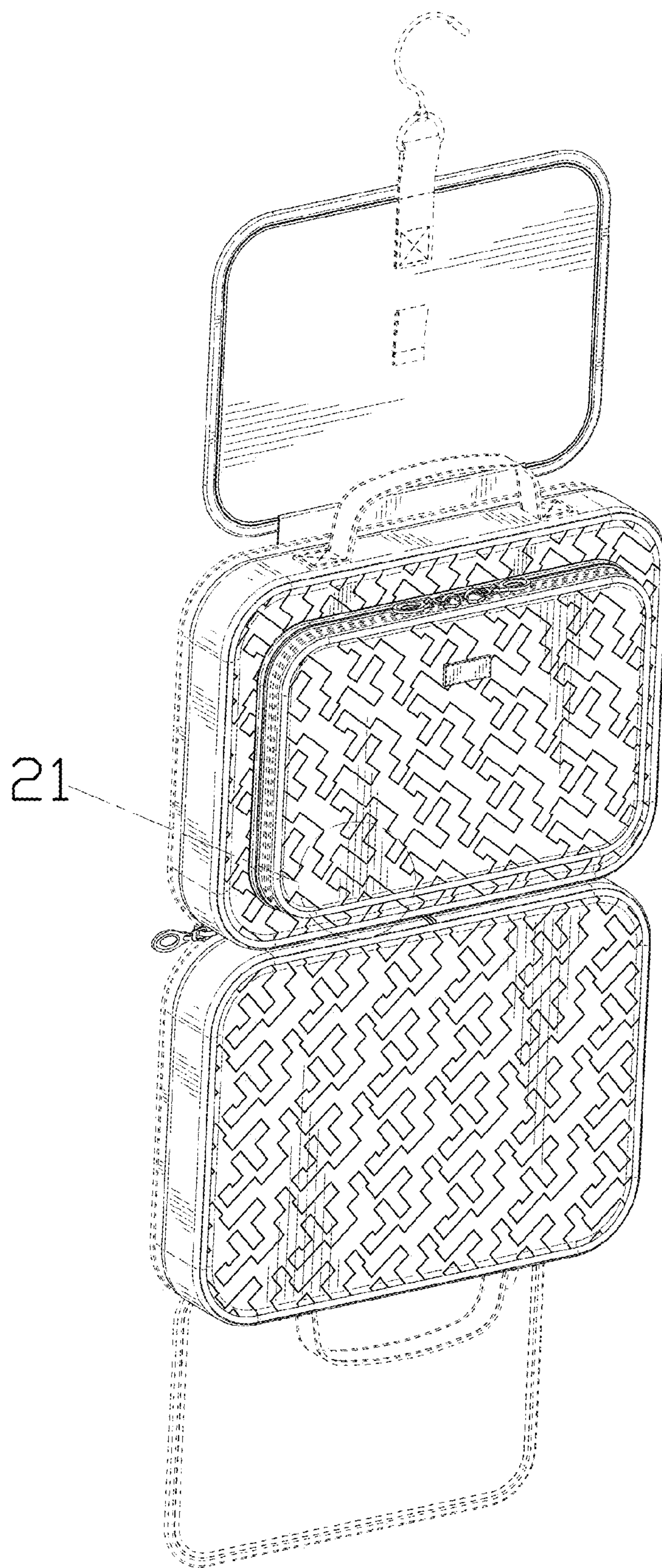


FIG. 11

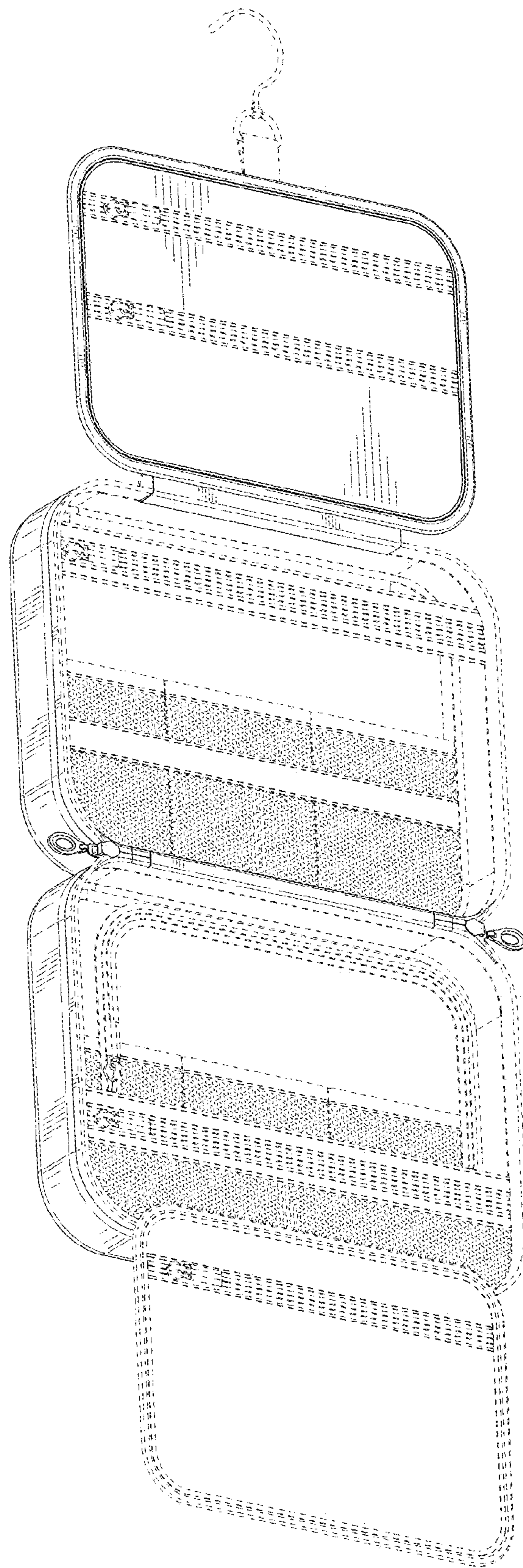


FIG. 12

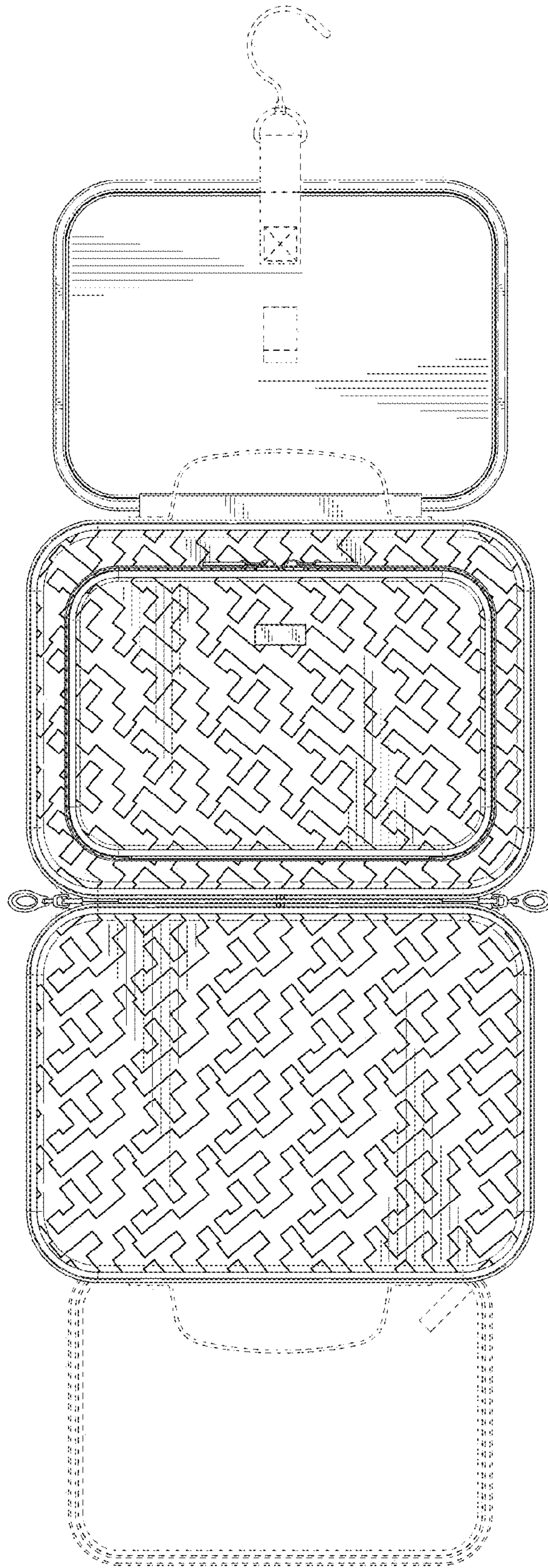


FIG. 13

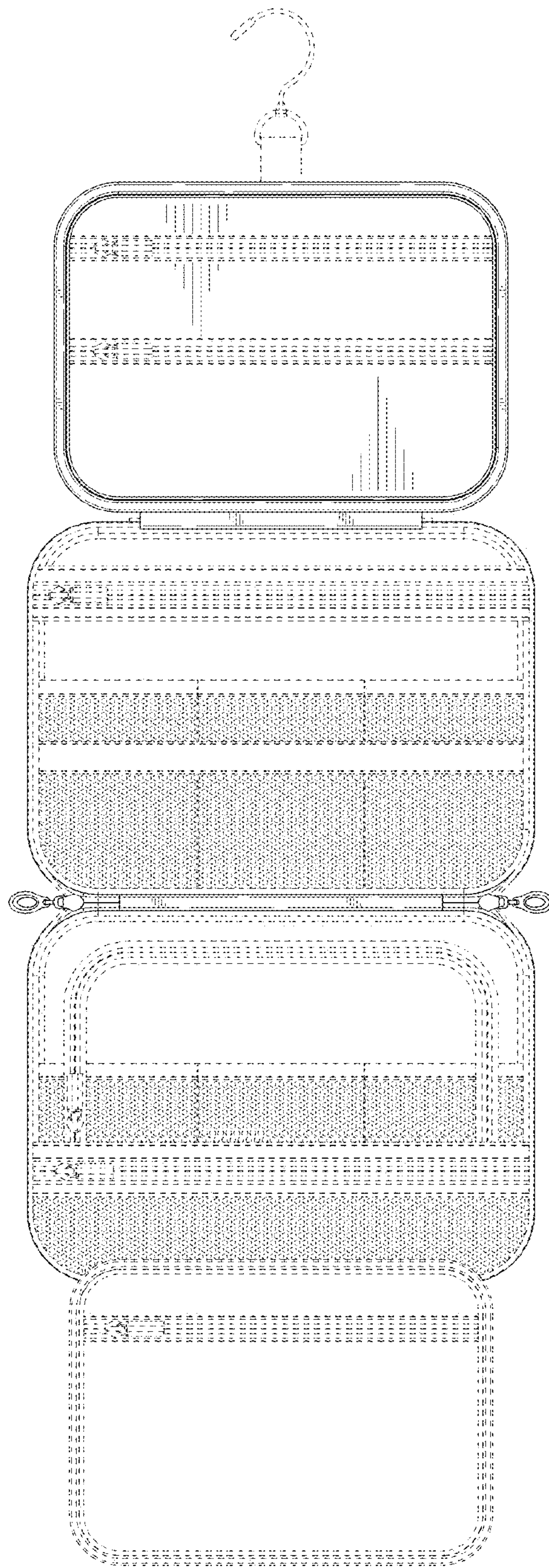


FIG. 14

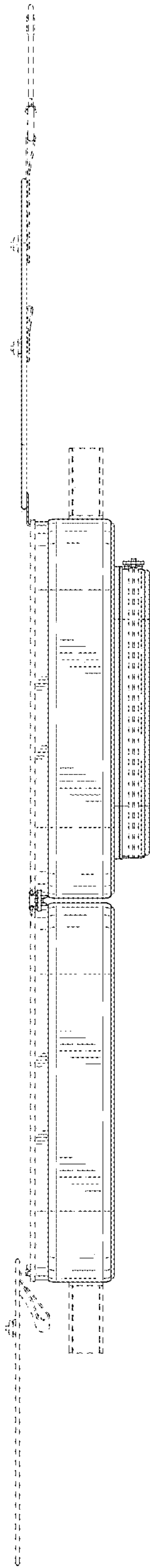


FIG. 15

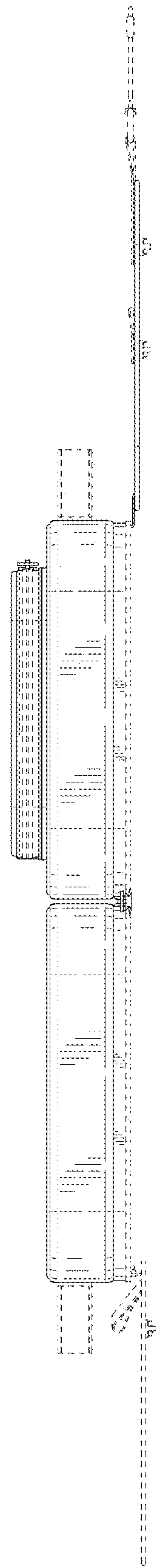


FIG. 16

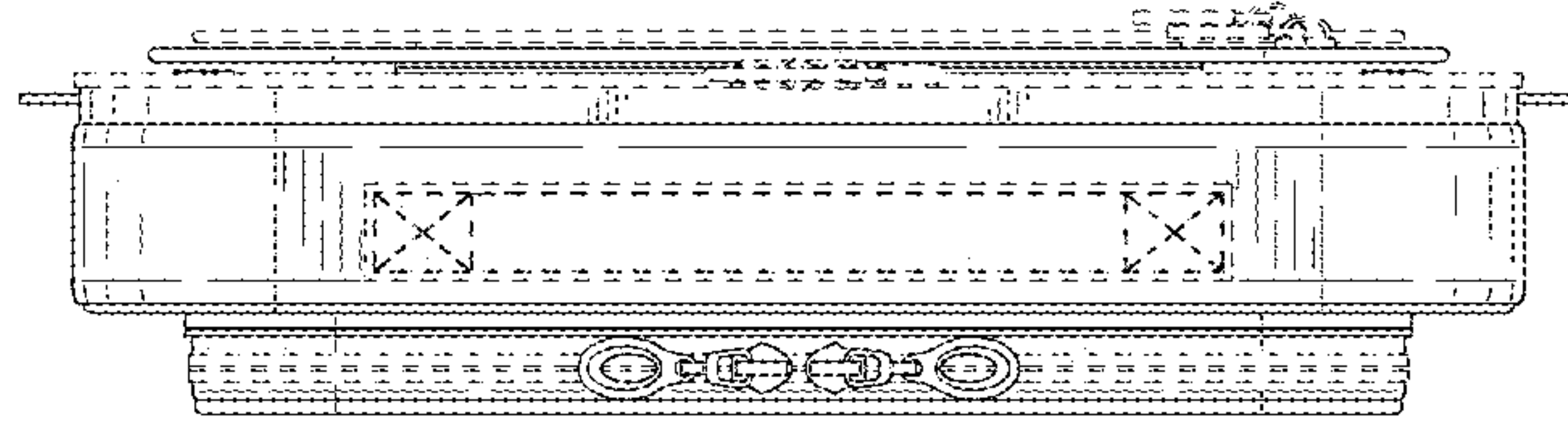


FIG. 17

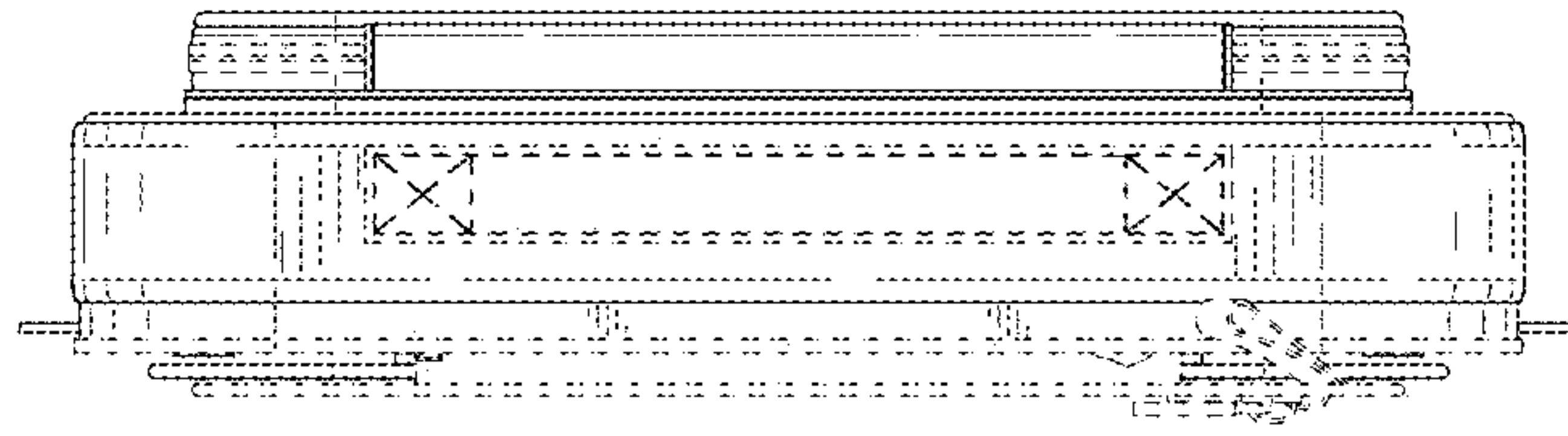


FIG. 18

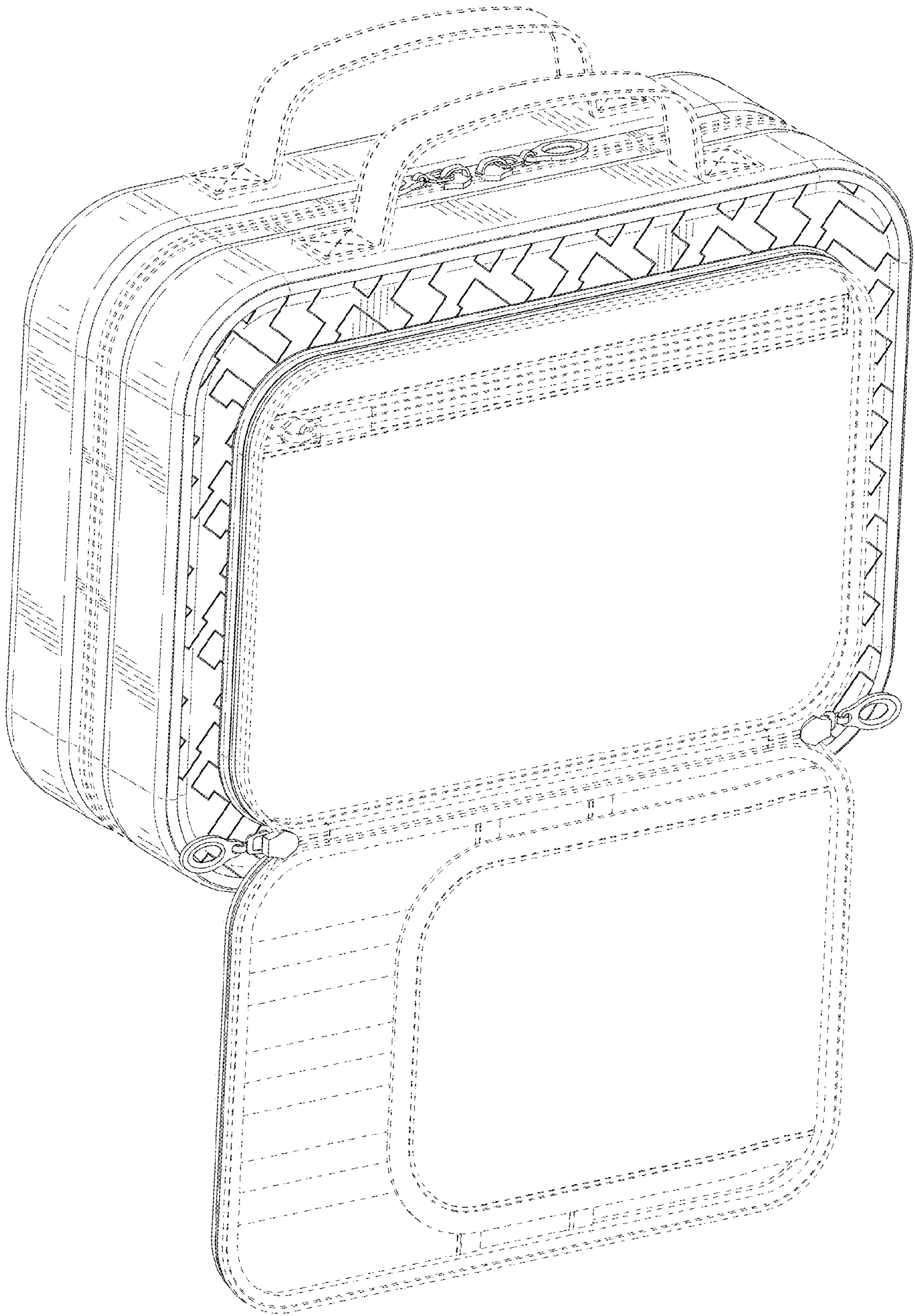


FIG. 19



FIG. 20

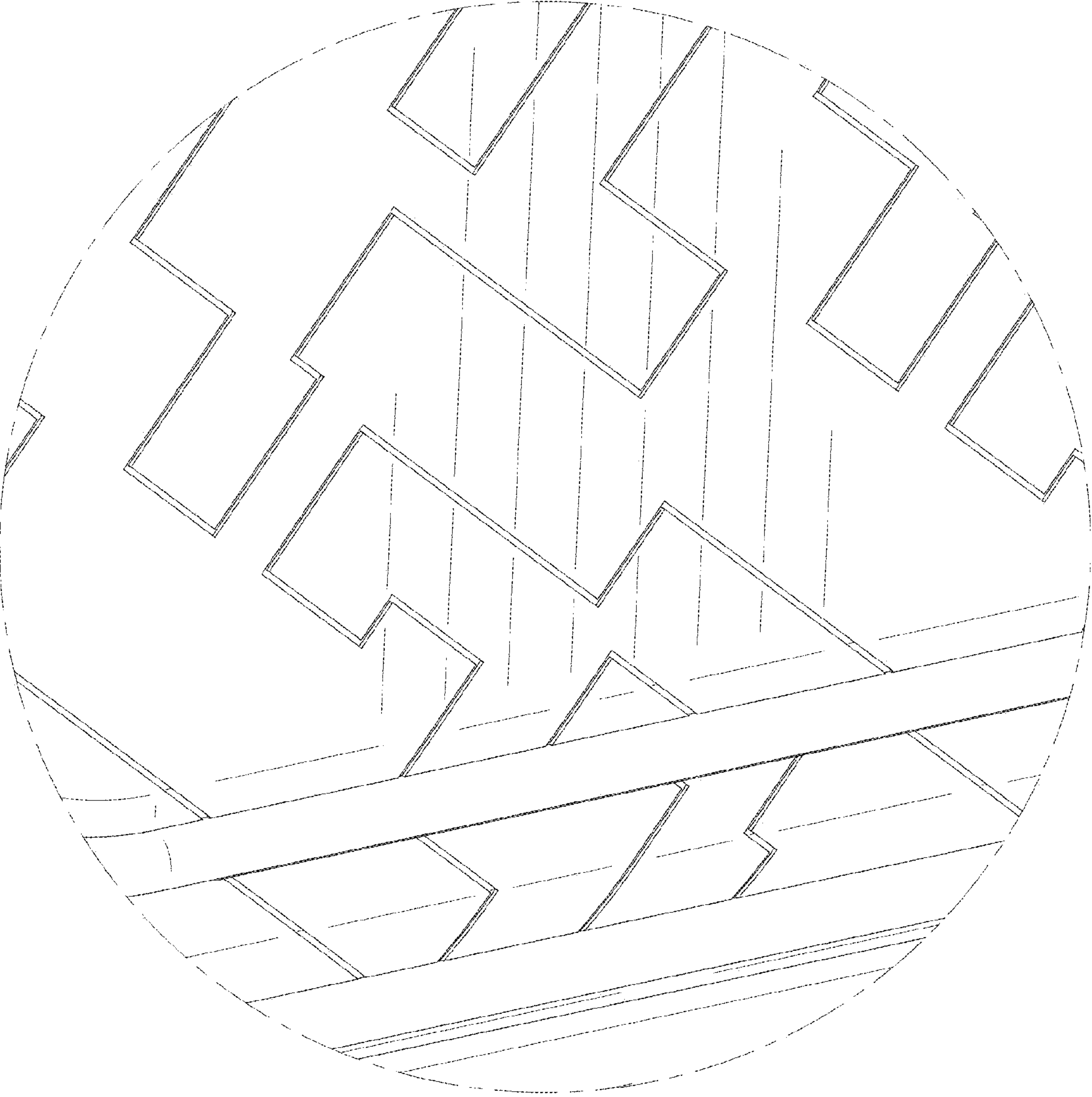


FIG. 21