



US00D977831S

(12) **United States Design Patent** (10) **Patent No.:** **US D977,831 S**
Zeng (45) **Date of Patent:** **** Feb. 14, 2023**

(54) **WALLET**

FOREIGN PATENT DOCUMENTS

(71) Applicant: **Zheng Zeng**, Xinhua (CN)
(72) Inventor: **Zheng Zeng**, Xinhua (CN)
(**) Term: **15 Years**

CN	307298082	*	4/2022
CN	307298083	*	4/2022
CN	307445349	*	7/2022
GB	6200544	*	4/2022
GB	6203329	*	4/2022

(Continued)

(21) Appl. No.: **29/823,320**

OTHER PUBLICATIONS

(22) Filed: **Jan. 17, 2022**

“Amazon.com: Wallet For Men—Slim Aluminum Metal Money Clip with 1 Clear window ID Badge Holder”, [Posted Online on amazon.com], [Posting Date Jun. 27, 2022], [Retrieved Online on Jul. 21, 2022], <https://www.amazon.com/Wallet-Men-Aluminum-Ultra-Thin-Minimalist/dp/B09LH1KCCS/> (Year: 2022).*

(51) **LOC (14) Cl.** **03-01**

(52) **U.S. Cl.**
USPC **D3/247**

(Continued)

(58) **Field of Classification Search**
USPC D3/201, 207–208, 215–218, 230,
D3/247–250, 318; D11/78.1
CPC A45C 1/04; A45C 1/06; A45C 11/182;
A45C 2001/062; A45C 2001/065; A45C
2001/067; A45C 2001/186; A45F 5/02
See application file for complete search history.

Primary Examiner — Mary Shannon Malley
Assistant Examiner — Christopher John Suarez La Rosa
(74) *Attorney, Agent, or Firm* — Rumit Ranjit Kanakia

(56) **References Cited**

(57) **CLAIM**

The ornamental design for a wallet, as shown and described.

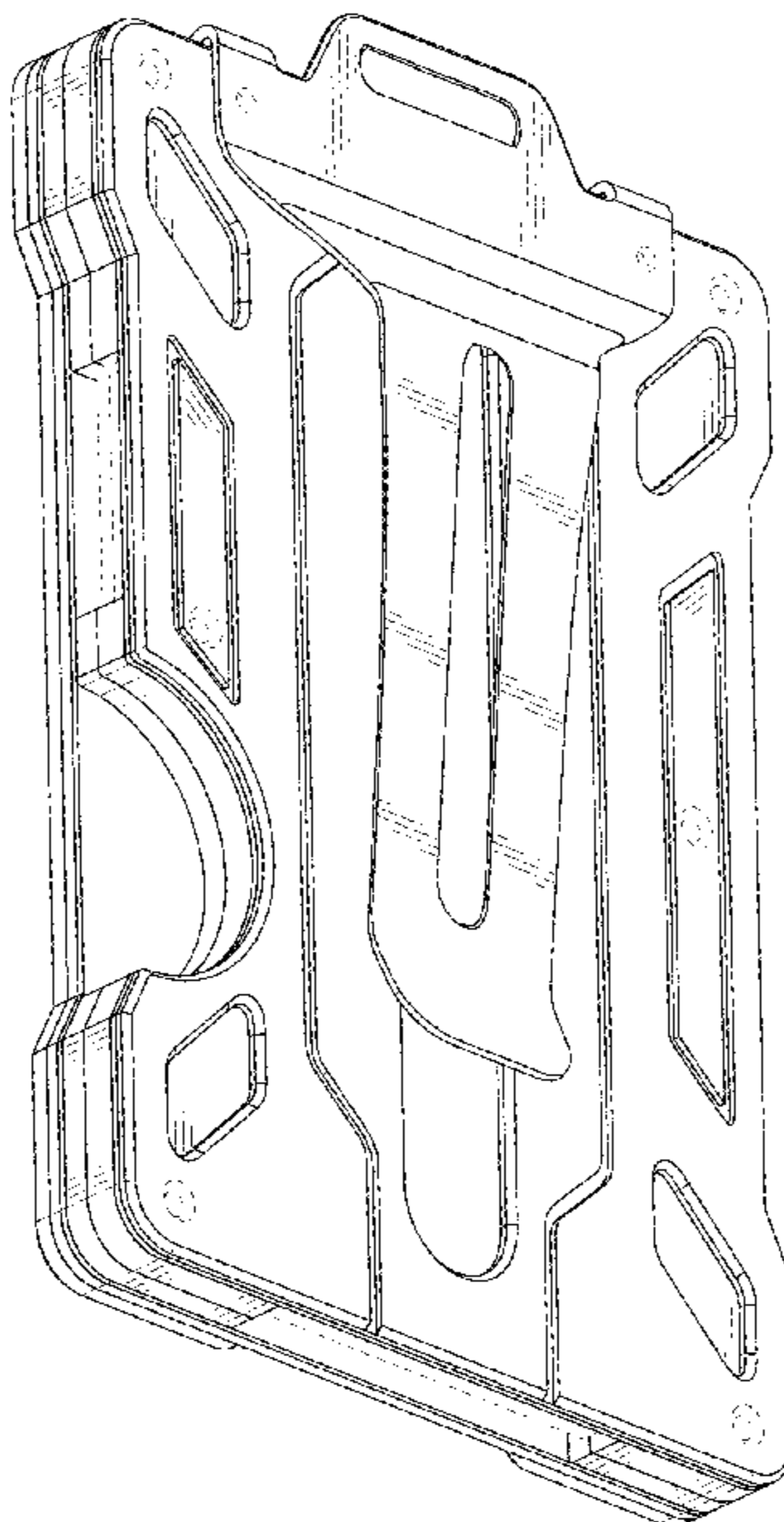
U.S. PATENT DOCUMENTS

DESCRIPTION

D649,149	S	*	11/2011	Peng	D14/315
D719,350	S	*	12/2014	Daoura	D3/247
D775,824	S	*	1/2017	King	D3/247
D798,591	S	*	10/2017	King	D3/247
D806,386	S	*	1/2018	King	D3/247
D831,349	S	*	10/2018	Deng	D3/247
D853,714	S	*	7/2019	Feng	D3/218
D878,039	S		3/2020	Cantoli-Alves et al.		
D889,122	S		7/2020	Fitzgerald		
D901,875	S	*	11/2020	Yang	D3/207
D903,312	S		12/2020	Bauer et al.		
D909,059	S	*	2/2021	Leh	D3/247
D934,560	S	*	11/2021	Tran	D3/247
11,284,689	B1	*	3/2022	Duncan	A45C 1/06
D951,632	S	*	5/2022	Tran	D3/247
2017/0135452	A1	*	5/2017	Kane	A45C 13/185

FIG. 1 is a first perspective view of a wallet showing my new design;
FIG. 2 is a second perspective view thereof;
FIG. 3 is a front view thereof;
FIG. 4 is a back view thereof;
FIG. 5 is a left side view thereof;
FIG. 6 is a right side view thereof;
FIG. 7 is a top view thereof; and,
FIG. 8 is a bottom view thereof.
The broken lines shown in the drawings depict portions of the wallet that form no part of the claimed design.

1 Claim, 8 Drawing Sheets



(56)

References Cited

FOREIGN PATENT DOCUMENTS

HK	2219606-0001	*	7/2022
HK	2219606-0002	*	7/2022

OTHER PUBLICATIONS

“Wayback Machine for NPL reference cited U”, [Posting Date Jun. 27, 2022], [Retrieved Online on Jul. 21, 2022], <https://web.archive.org/web/20220627064129/https://www.amazon.com/Wallet-Men-Aluminum-Ultra-Thin-Minimalist/dp/B09LH1KCCS/> (Year: 2022).*

“Biiglle Wallet For Men”, [Posted Online ubuy.co.id], [Reviewed Date Dec. 4, 2021], [Retrieved Online on Jul. 26, 2022], <https://www.ubuy.co.id/en/product/47YNWW448> (Year: 2021).*

* cited by examiner

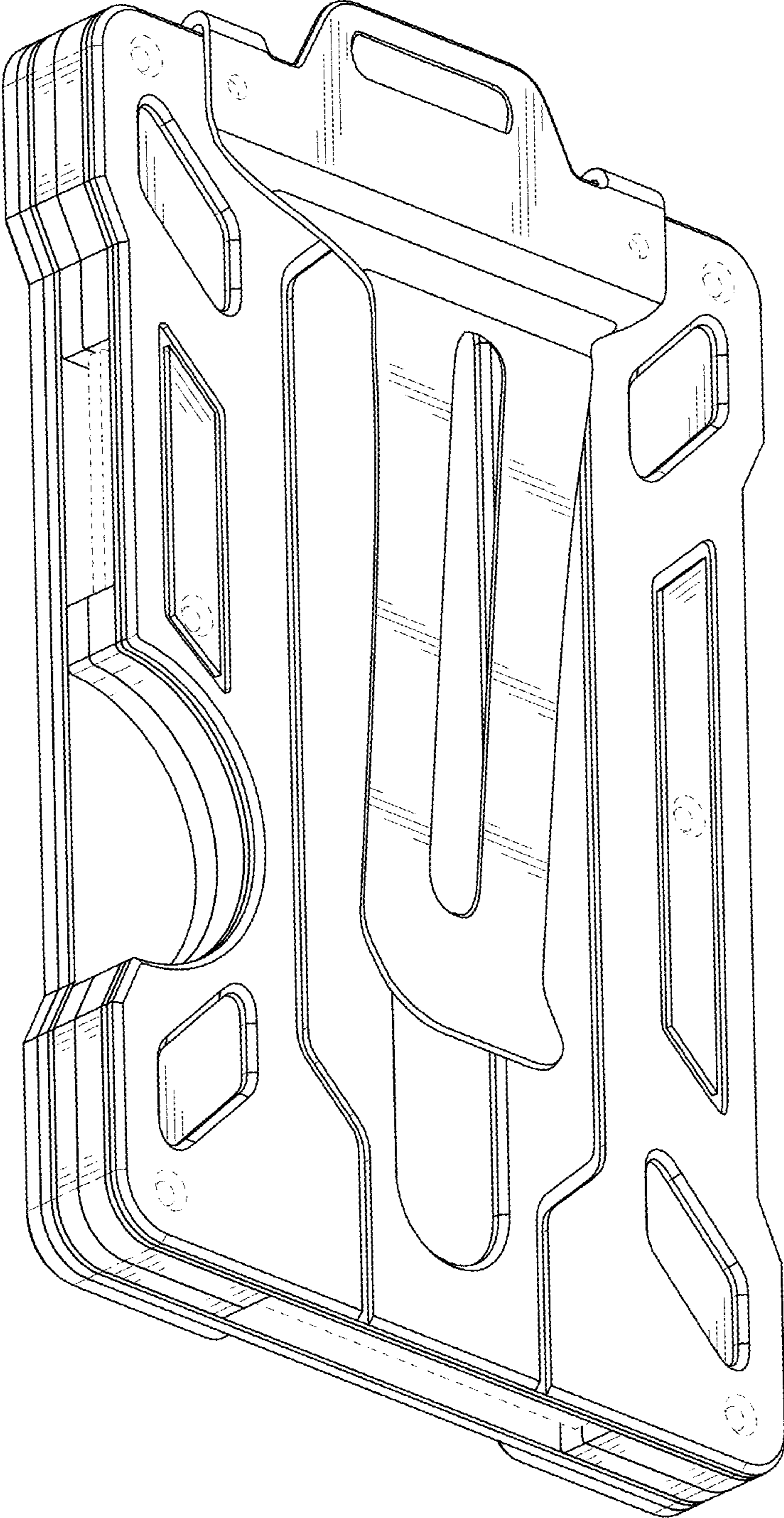


FIG. 1

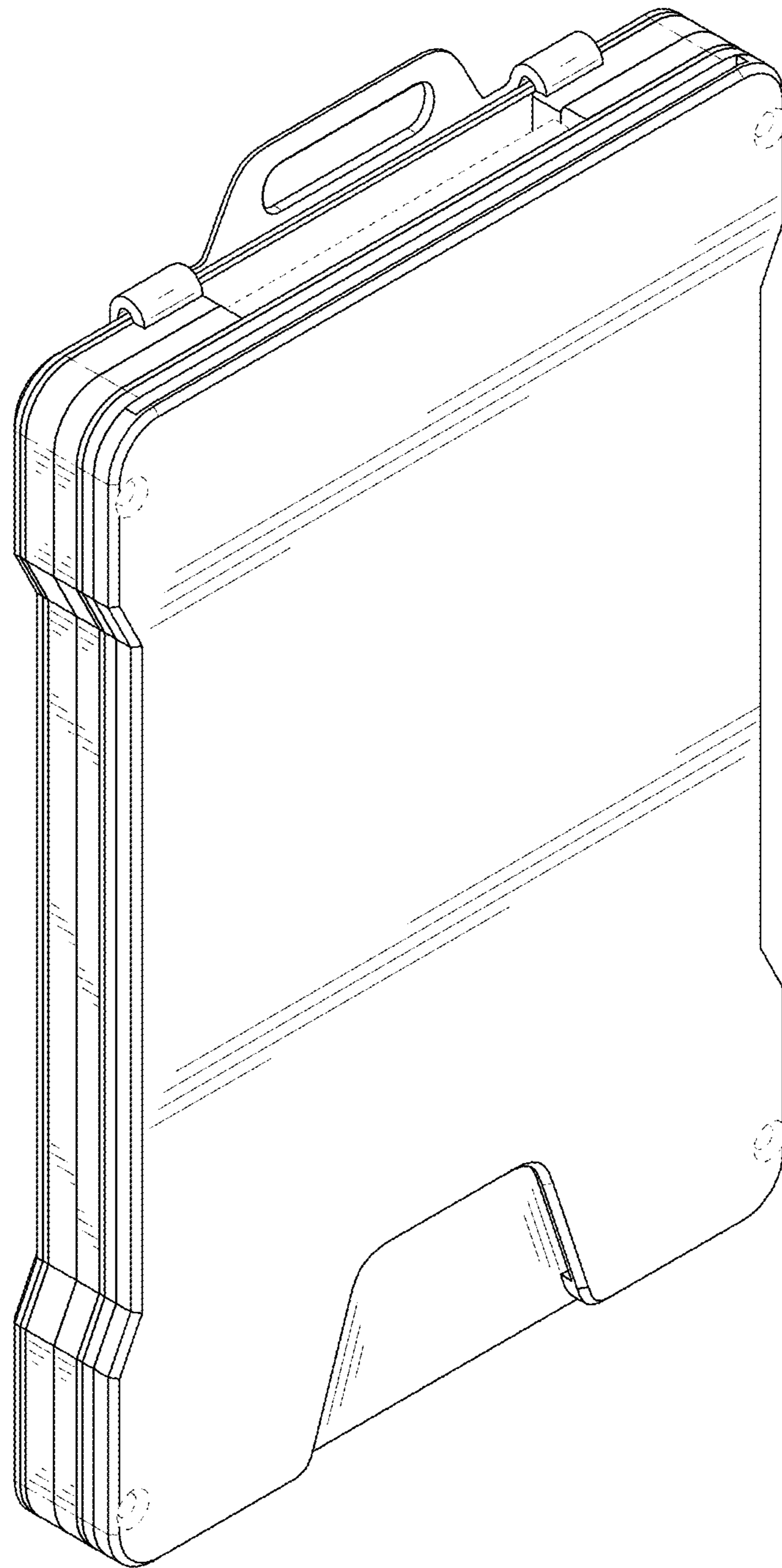


FIG. 2

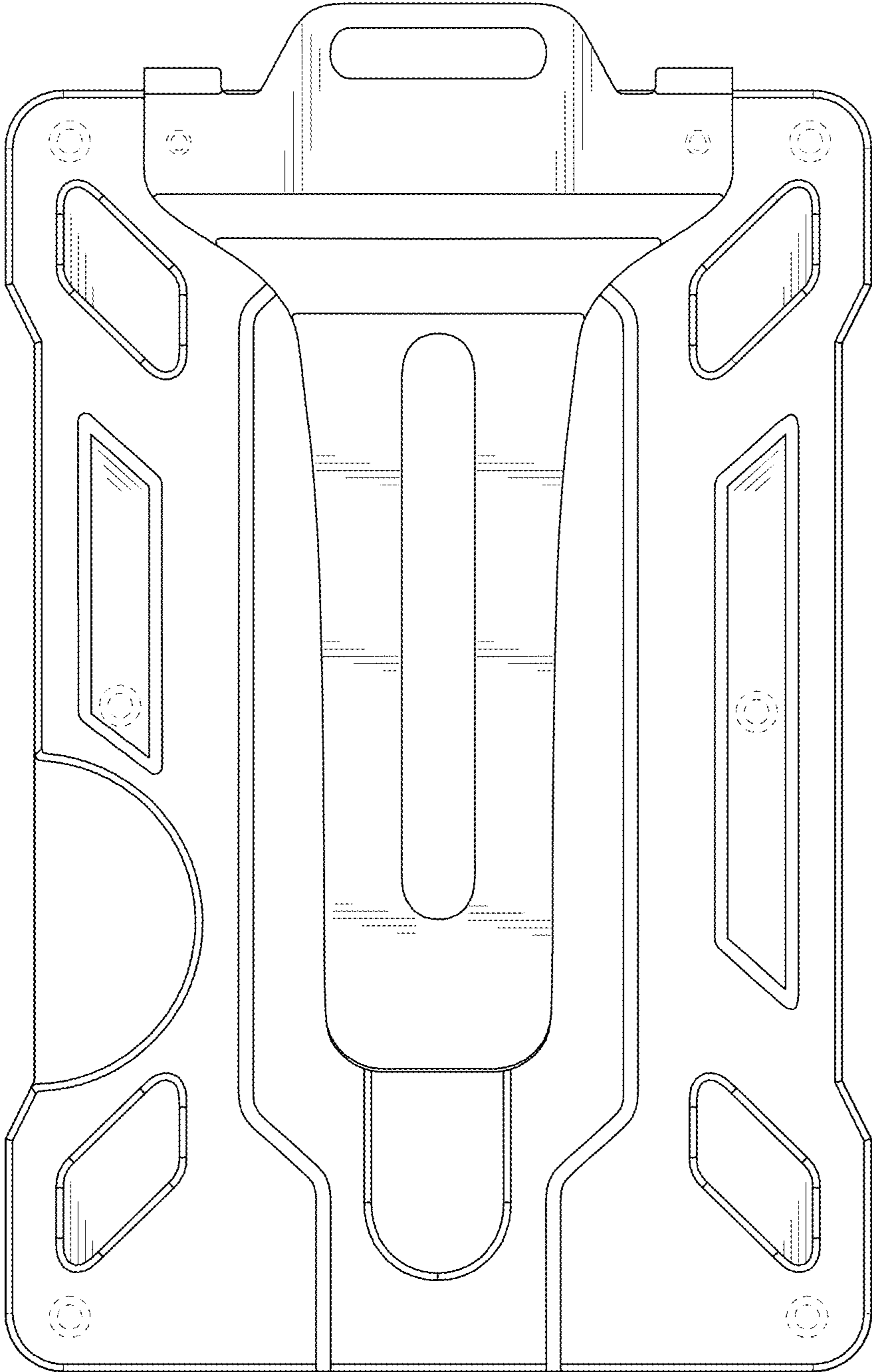


FIG. 3

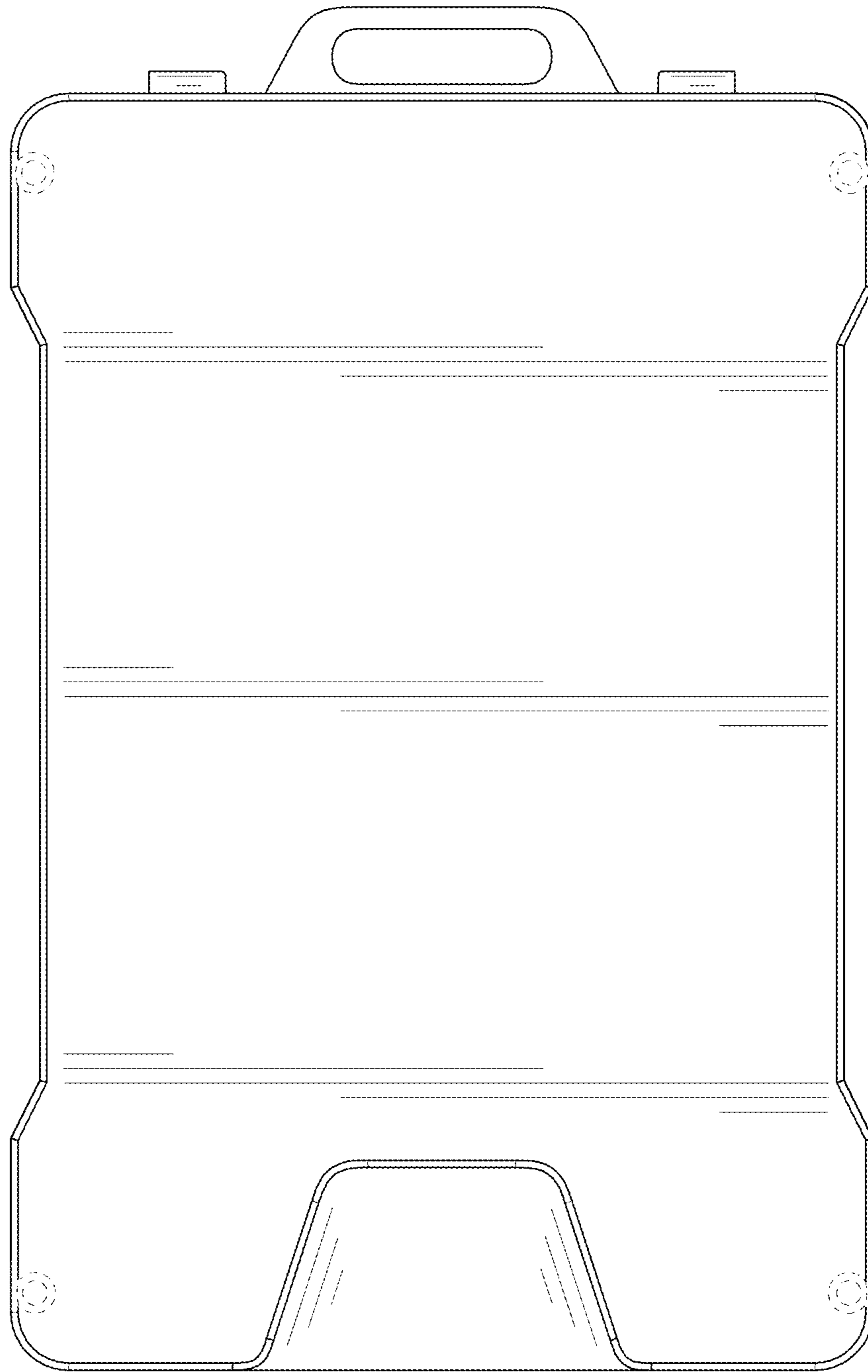


FIG. 4

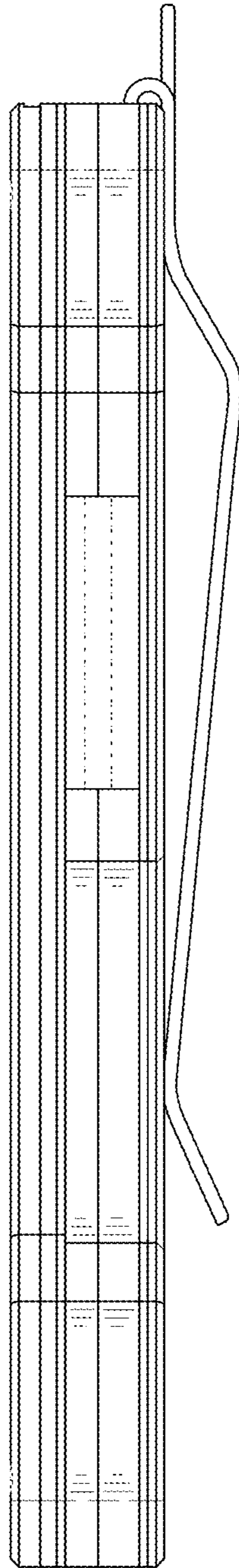


FIG. 5

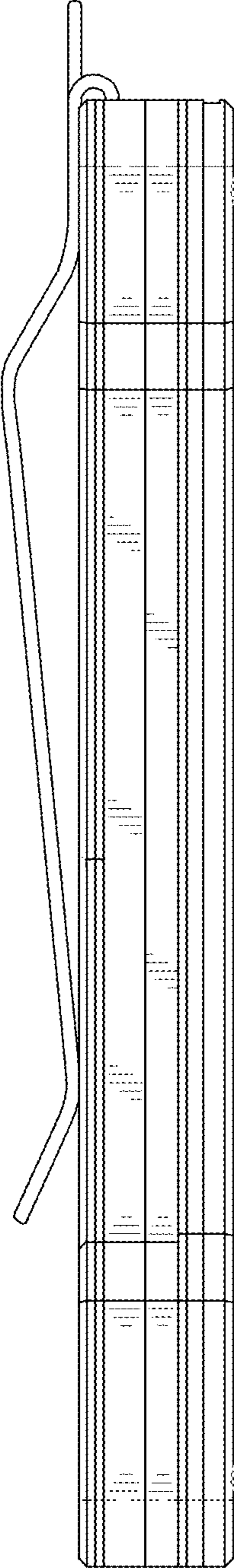


FIG. 6

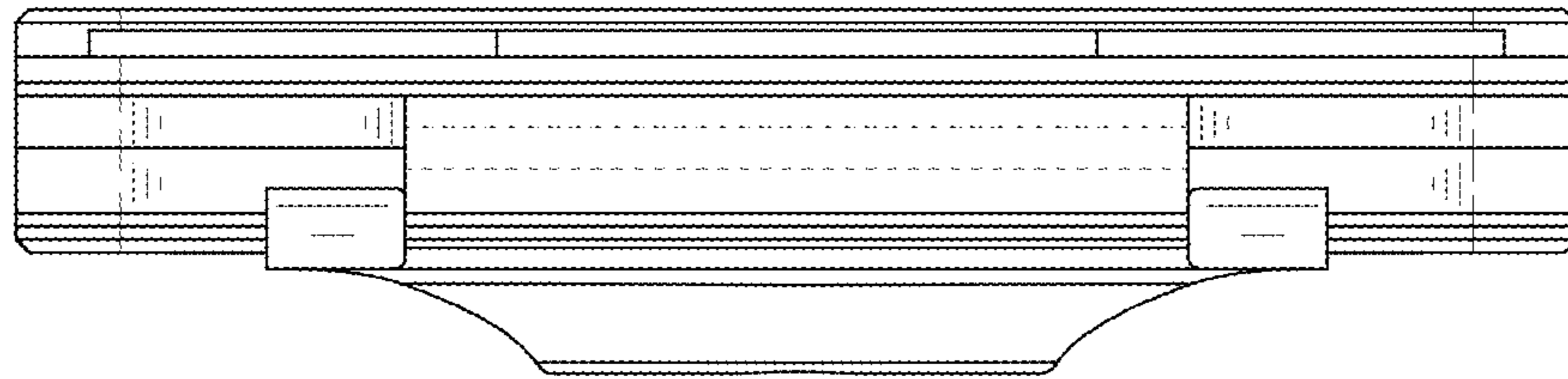


FIG. 7

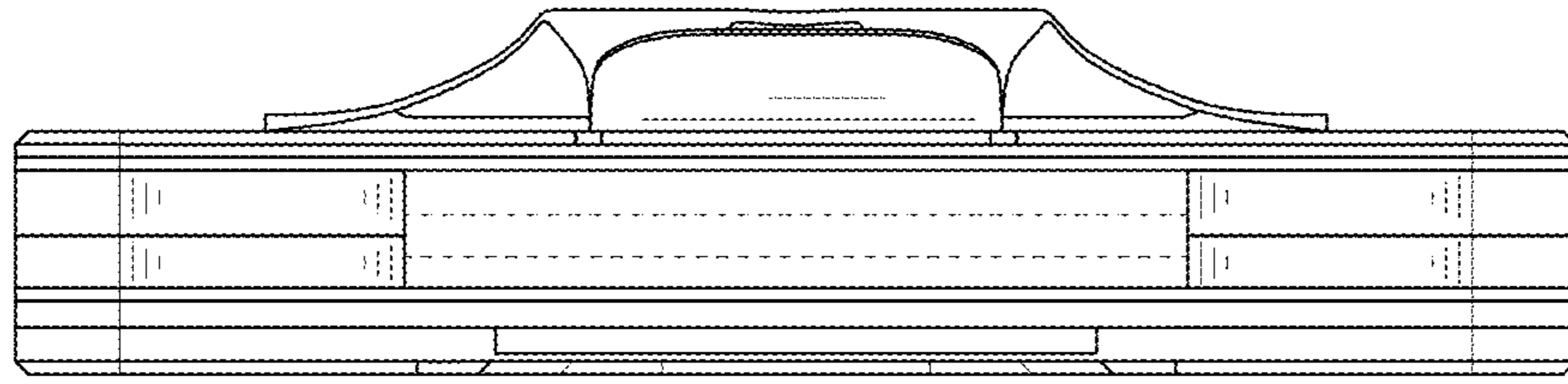


FIG. 8