



US00D977827S

(12) **United States Design Patent**
Huang

(10) **Patent No.:** **US D977,827 S**

(45) **Date of Patent:** **** Feb. 14, 2023**

- (54) **SHOULDER BAG**
- (71) Applicant: **AFFARGO LTD**, London (GB)
- (72) Inventor: **Yu Huang**, Ganzhou (CN)
- (**) Term: **15 Years**
- (21) Appl. No.: **29/842,671**
- (22) Filed: **Jun. 15, 2022**
- (51) **LOC (14) Cl.** **03-01**
- (52) **U.S. Cl.**
USPC **D3/217**
CPC **A45C 13/00** (2013.01)
- (58) **Field of Classification Search**
USPC D3/213–217, 221–233, 242–244,
D3/254–262
CPC ... A45C 13/30; A45F 3/04; A45F 3/02; A45F
3/10; A45F 3/12; A45F 2003/122; A45F
2003/127; A45F 3/14; A45F 2003/002;
A45F 2003/045; A45F 2003/144
See application file for complete search history.

(56) **References Cited**

U.S. PATENT DOCUMENTS

- D315,825 S * 4/1991 Hutton D3/217
- D362,751 S * 10/1995 Kopel D3/249
- 5,564,539 A * 10/1996 Duensing A45C 7/0077
190/103
- D425,698 S * 5/2000 Paul D3/217
- D431,903 S * 10/2000 Worley D3/232
- D481,203 S * 10/2003 Vazquez D3/232
- D516,813 S * 3/2006 Tortorella D3/301
- D550,449 S * 9/2007 Gossett D3/217
- D608,090 S 1/2010 Lown et al.
- D668,043 S * 10/2012 Quehl D3/246
- D668,044 S * 10/2012 Quehl D3/246
- D699,032 S * 2/2014 BenDavid D3/217
- D703,946 S * 5/2014 Tweedie D3/217
- D756,108 S 5/2016 Douglas, Jr.
- 9,775,425 B2 * 10/2017 Bruffey A45C 13/30

- D802,913 S * 11/2017 Tien D3/217
- D808,162 S * 1/2018 Viger D3/267
- D811,727 S * 3/2018 Quehl D3/217
- 10,051,945 B1 * 8/2018 Pomare A45F 3/02
- D838,105 S * 1/2019 Montalto D3/244
- D841,317 S * 2/2019 Botha D3/217
- D865,355 S * 11/2019 Benzon D3/217
- D876,081 S * 2/2020 Dumas D3/217
- D893,169 S * 8/2020 Jais D3/217
- D893,861 S * 8/2020 Dyk D3/217
- D893,862 S * 8/2020 Dyk D3/217
- D894,602 S * 9/2020 Dyk D3/301
- D901,882 S * 11/2020 Tan D3/232
- D917,159 S * 4/2021 Burkett D3/217
- D938,164 S * 12/2021 Orciani A45C 1/00
D3/217
- D946,885 S * 3/2022 Bi D3/217
- D949,562 S * 4/2022 Strippoli D3/319
- D963,331 S * 9/2022 Brataas A45C 15/00
D3/217
- D968,072 S * 11/2022 Yang D3/216

(Continued)

Primary Examiner — Richard E Chilcot

(74) *Attorney, Agent, or Firm* — Georgi Korobanov

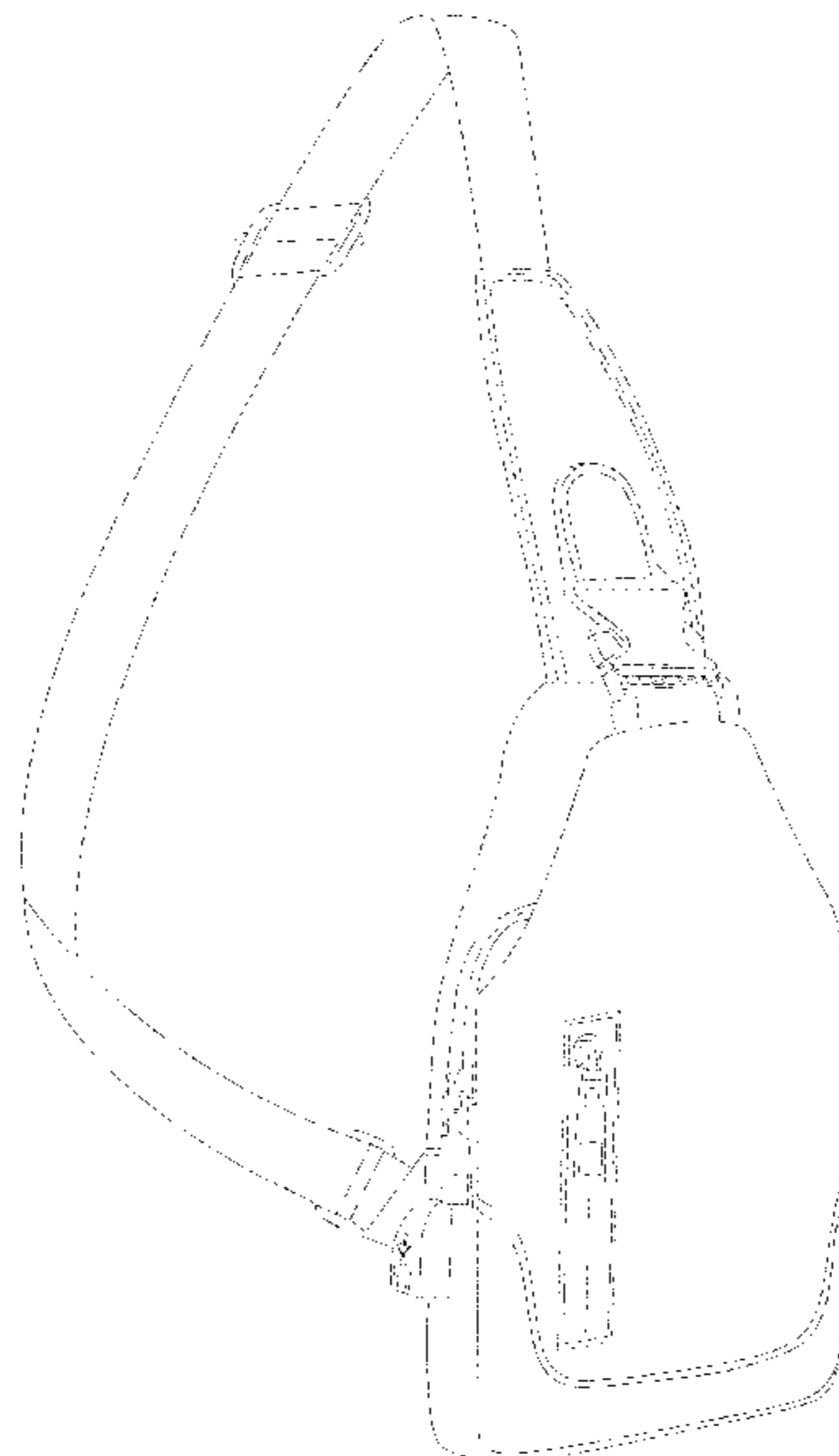
(57) **CLAIM**

The ornamental design for a shoulder bag, as shown and described.

DESCRIPTION

FIG. 1 is a perspective view of a shoulder bag, showing my new design;
 FIG. 2 is a front view thereof;
 FIG. 3 is a rear view thereof;
 FIG. 4 is a left side view thereof;
 FIG. 5 is a right side view thereof;
 FIG. 6 is a top plan view thereof; and,
 FIG. 7 is a bottom plan view thereof.
 The broken lines depict portions of the shoulder bag that form no part of the claimed design.

1 Claim, 7 Drawing Sheets



(56)

References Cited

U.S. PATENT DOCUMENTS

2002/0139820 A1* 10/2002 Godshaw A45F 4/02
224/655
2015/0101958 A1* 4/2015 Cross A45C 11/38
206/703
2015/0313346 A1* 11/2015 Doubleday A45F 3/12
224/627
2018/0343995 A1* 12/2018 Dingler A45C 7/0068
2019/0216191 A1* 7/2019 Botha A45C 13/008

* cited by examiner

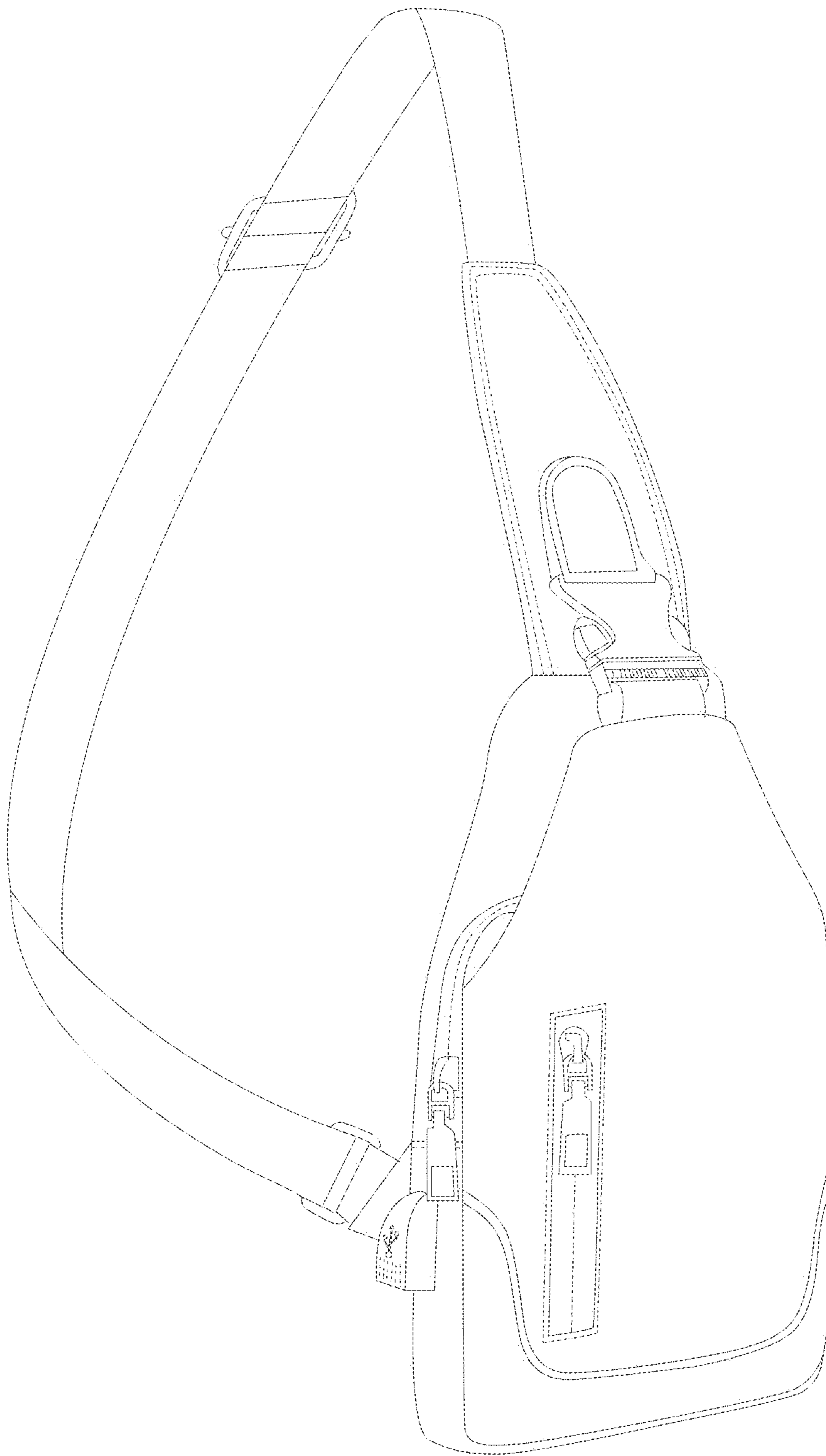


FIG. 1

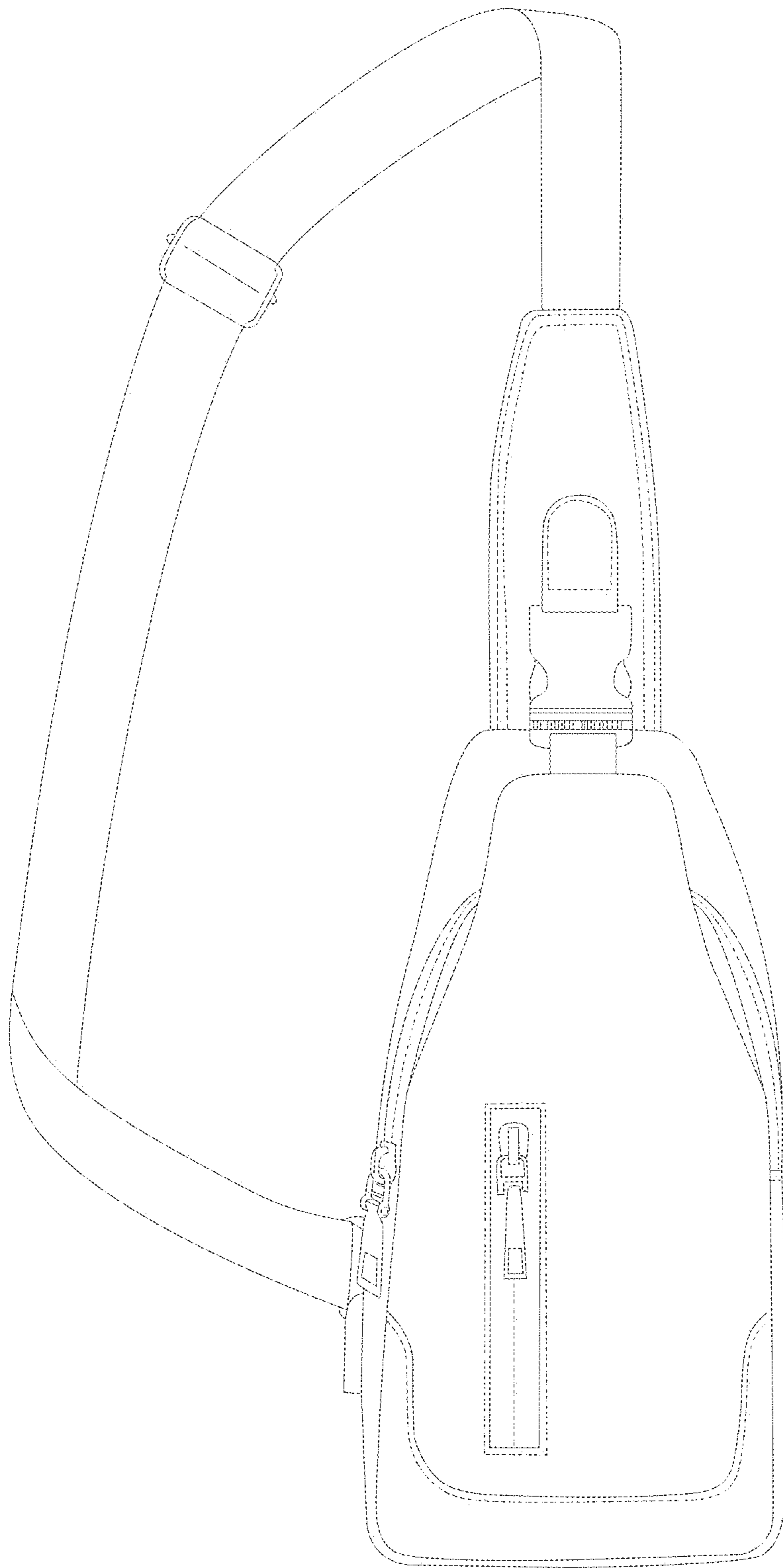


FIG. 2

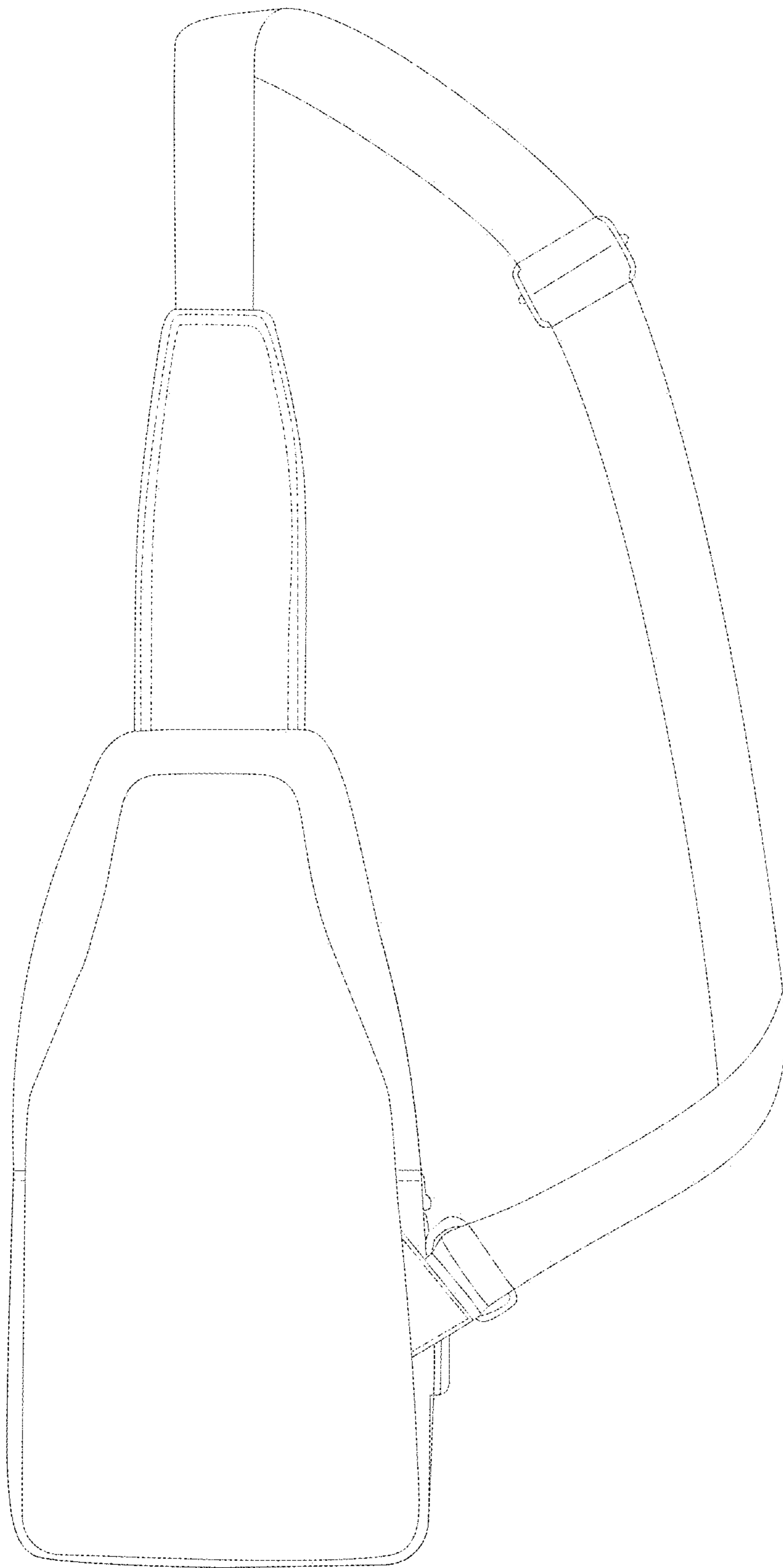


FIG. 3

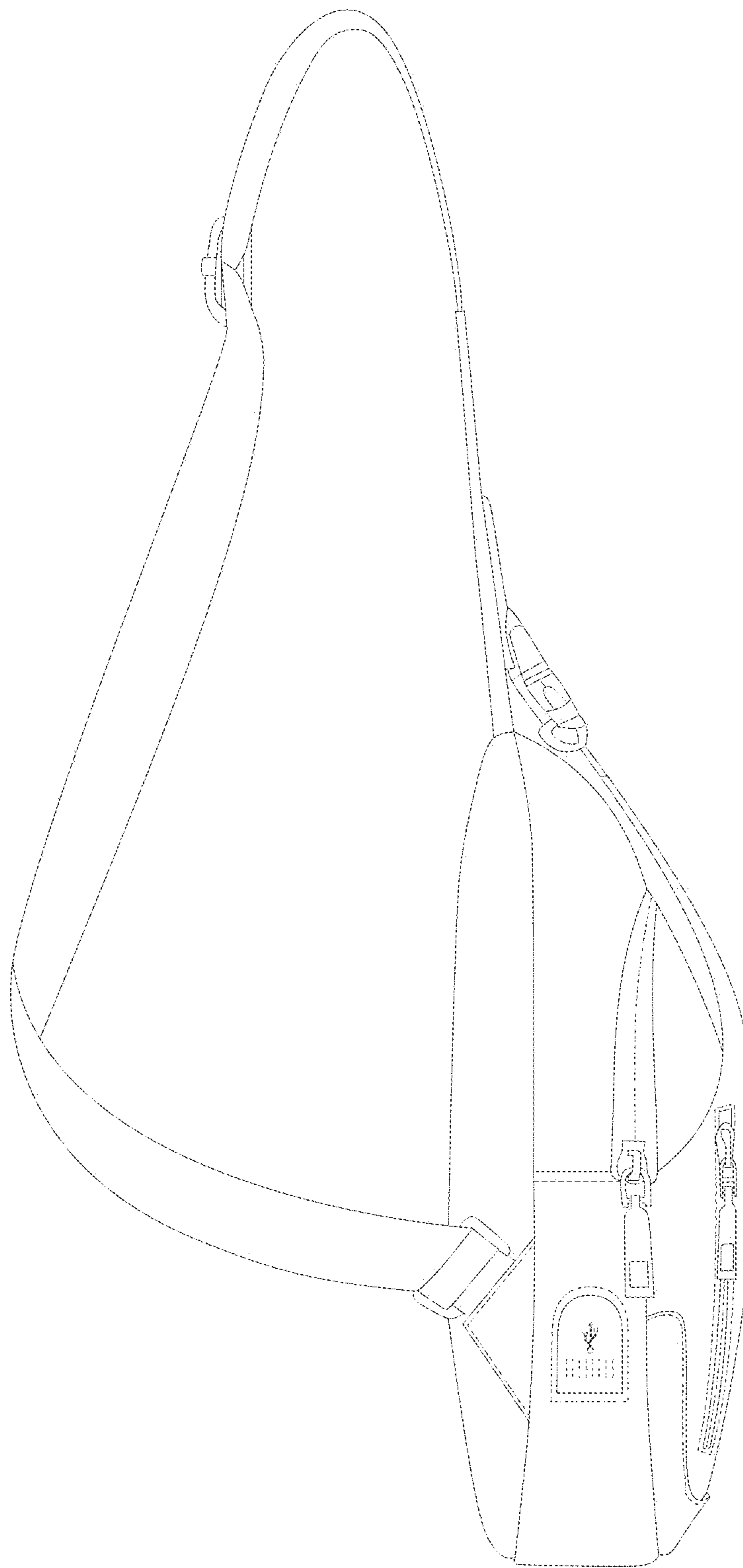


FIG. 4

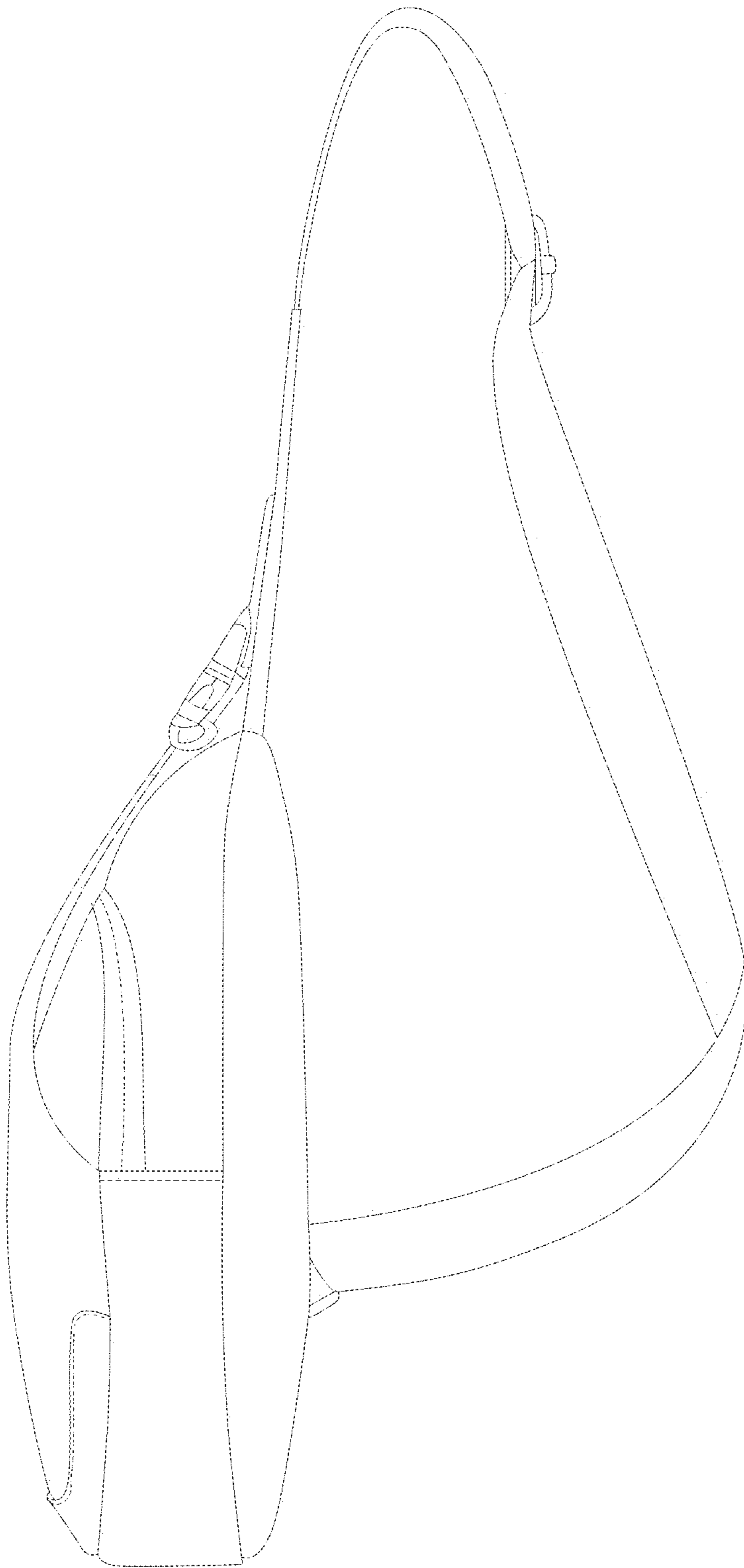


FIG. 5

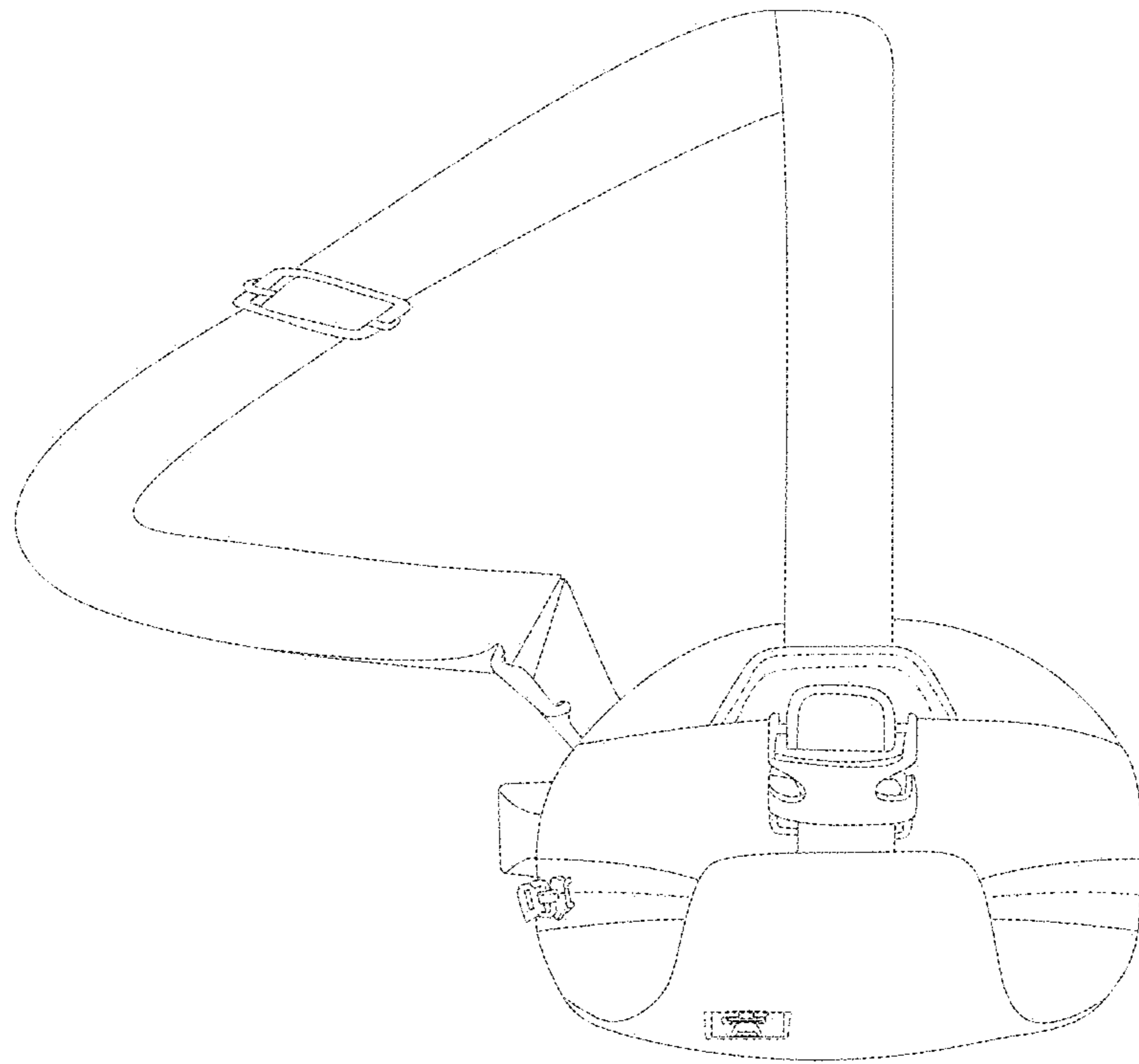


FIG. 6

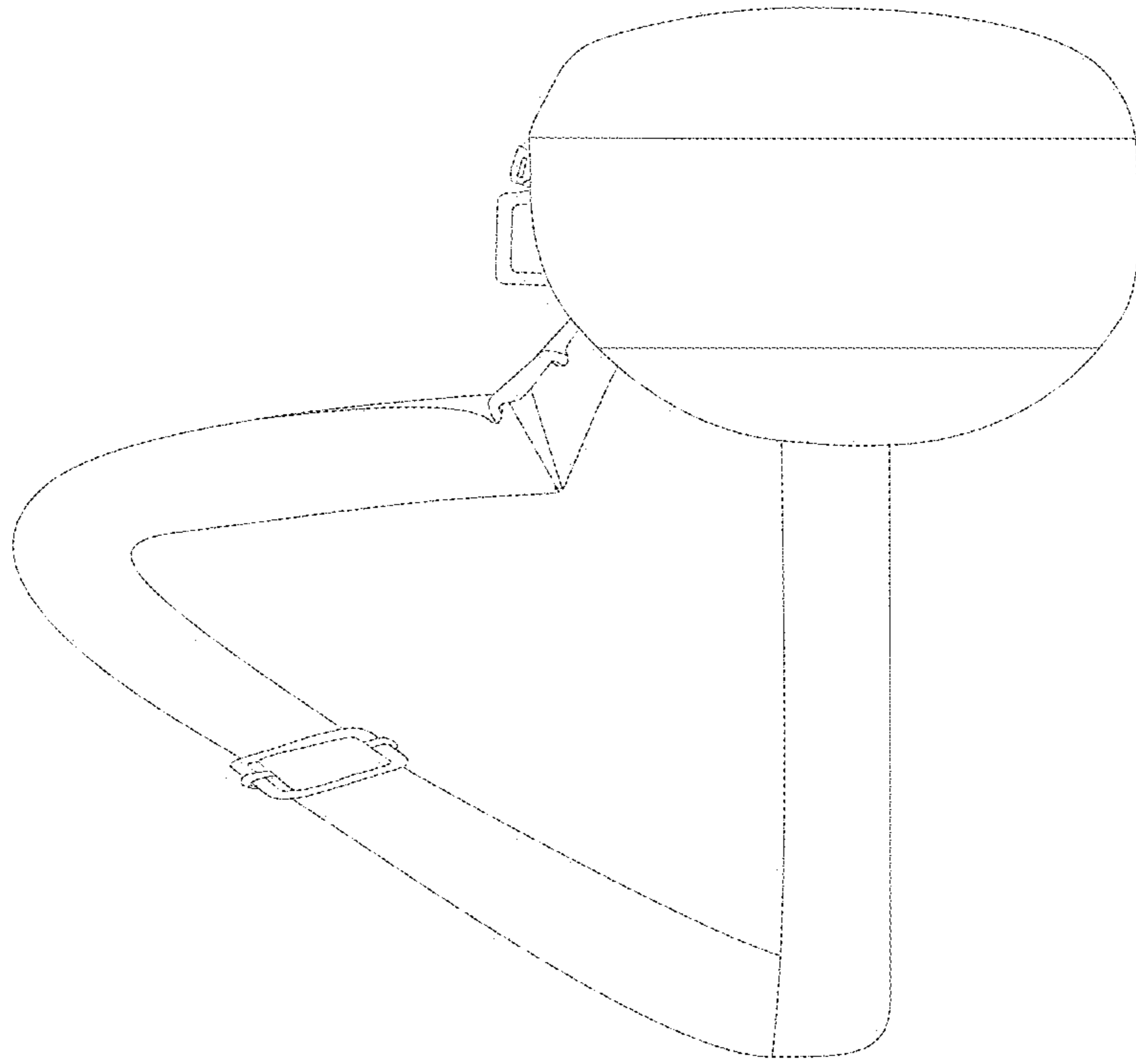


FIG. 7