



US00D977826S

(12) **United States Design Patent**
van Middendorp

(10) **Patent No.:** **US D977,826 S**
(45) **Date of Patent:** **** Feb. 14, 2023**

(54) **BAG**

(71) Applicant: **Invented Here B.V.**, Uift (NL)

(72) Inventor: **Christel van Middendorp**, Ede (NL)

(73) Assignee: **Invented Here B.V.**, Uift (NL)

(**) Term: **15 Years**

(21) Appl. No.: **29/759,814**

(22) Filed: **Nov. 25, 2020**

(30) **Foreign Application Priority Data**

May 28, 2020 (EM) 007973417-0001

(51) **LOC (14) Cl.** **03-01**

(52) **U.S. Cl.**
USPC **D3/217**

(58) **Field of Classification Search**
USPC D3/213–217, 221, 224–226, 231, 232,
D3/233, 242–244, 254, 255
CPC A45F 3/00; A45F 3/005; A45F 3/02; A45F
3/04; A45F 3/042; A45F 3/047; A45F
3/06; A45F 3/08; A45F 3/10; A45F
2003/001; A45F 2003/002; A45F
2003/003; A45F 2003/006; A45F
2003/007; A45F 2003/008; A45F
2003/025; A45F 2003/045; A45F
2200/00; A45F 2200/05; A45F
2200/0525; A45F 2200/0533

See application file for complete search history.

(56) **References Cited**

U.S. PATENT DOCUMENTS

2,407,787 A * 9/1946 Kernahan A45F 3/04
224/656
4,177,909 A * 12/1979 Haskell A45C 3/00
150/100

(Continued)

FOREIGN PATENT DOCUMENTS

CN 302877514 * 7/2014
CN 302885143 * 7/2014

(Continued)

OTHER PUBLICATIONS

Basil Discovery 365D Single, available at basil.com, date not available [online], site visited Dec. 9, 2021, Available from the internet URL: <https://www.basil.com/en/discovery-365d-single-bicycle-bag-black.html>.*

(Continued)

Primary Examiner — Messina L Smith

Assistant Examiner — Jillian Mazzola

(74) *Attorney, Agent, or Firm* — McAndrews, Held & Malloy, Ltd.

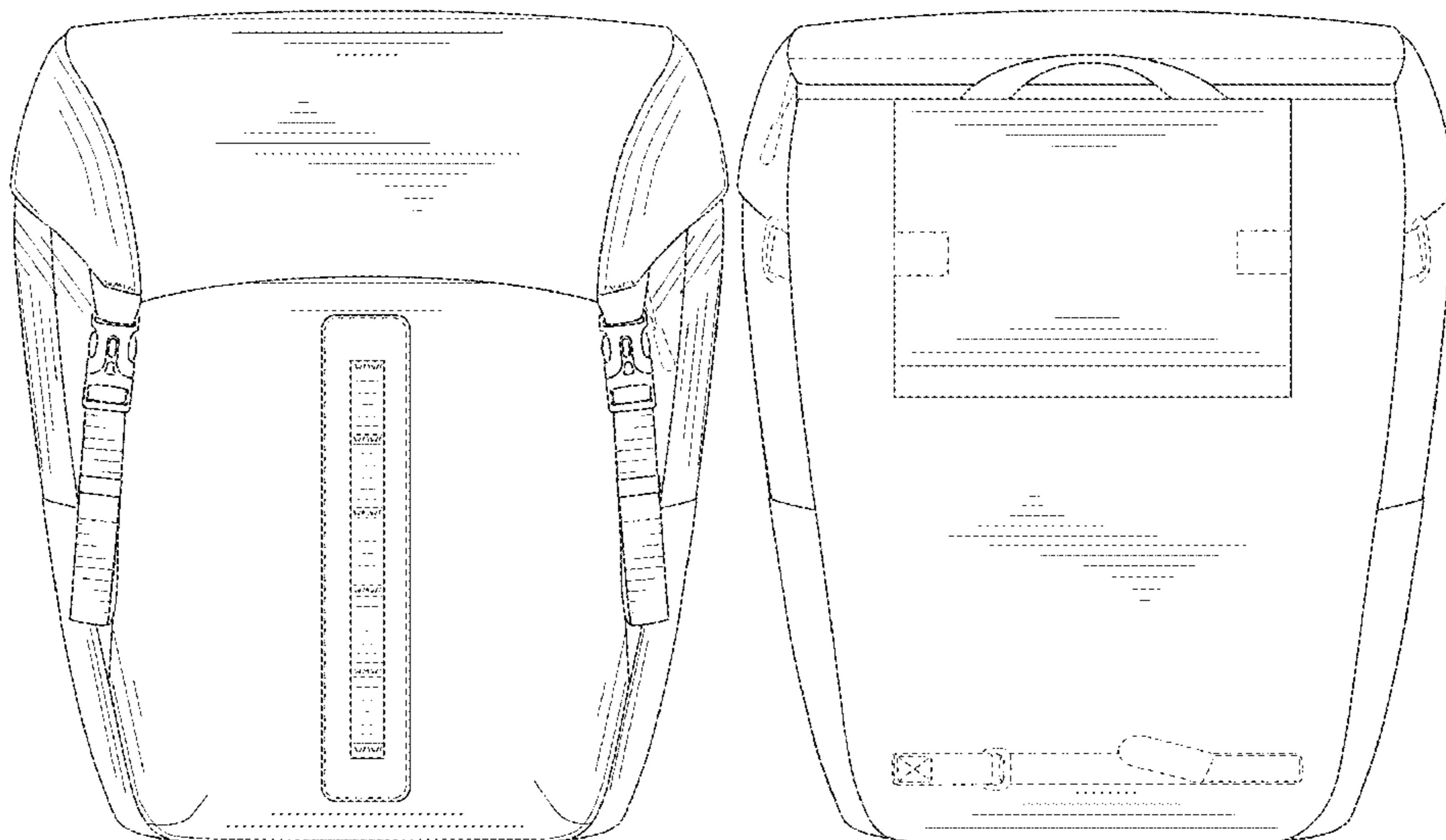
(57) **CLAIM**

The ornamental design for a bag, as shown and described.

DESCRIPTION

FIG. 1 is a front, right side perspective view of a bag showing my new design;
FIG. 2 is a front perspective view of the bag, shown in an alternative configuration with the carry strap removed;
FIG. 3 is a top plan view of the carry strap of the bag, shown separately for clarity of illustration;
FIG. 4 is a front elevation view of the bag of FIG. 2;
FIG. 5 is a rear elevation view of the bag of FIG. 2;
FIG. 6 is a rear elevation view of the bag, shown in an alternative configuration with the rear flap in a raised position;
FIG. 7 is a right side elevation view of the bag of FIG. 2;
FIG. 8 is a left side elevation view of the bag of FIG. 2;
FIG. 9 is a top plan view of the bag of FIG. 2; and
FIG. 10 is a bottom plan view of the bag of FIG. 2.
The dashed broken lines in the figures illustrate portions of the bag that form no part of the claimed design.

1 Claim, 9 Drawing Sheets



(56)

References Cited

U.S. PATENT DOCUMENTS

D418,972	S	*	1/2000	Gold	D3/216
D578,304	S	*	10/2008	Gonzalez	D3/243
D673,363	S	*	1/2013	Crandall	D3/217
D706,535	S	*	6/2014	Noer	D3/231
D714,046	S	*	9/2014	Sagan	D3/216
D746,049	S	*	12/2015	Zwetzig	D3/217
D775,463	S	*	1/2017	Shieh	D3/215
D798,043	S	*	9/2017	Sassi	D3/217
D811,738	S	*	3/2018	Dumas	D3/243
D828,112	S	*	9/2018	Furneaux	D7/607
D828,728	S	*	9/2018	Jacobsen	D7/607
D840,194	S	*	2/2019	Furneaux	D7/607
D851,392	S	*	6/2019	Kao	D3/217
D858,977	S	*	9/2019	Owens	D3/217
10,611,017	B1	*	4/2020	Panosian	A45C 5/06
D885,752	S	*	6/2020	Dumas	D3/217
D890,516	S	*	7/2020	Jacobsen	D3/217
D891,759	S	*	8/2020	Smith	D3/217
D899,079	S	*	10/2020	Priest	D3/217
D922,828	S	*	6/2021	Munie	D7/607
D927,262	S	*	8/2021	Munie	D7/607
D935,169	S	*	11/2021	Forsman	D3/217
D935,175	S	*	11/2021	Rogers	D3/245
D937,567	S	*	12/2021	Eisenhardt	D3/217
2014/0263517	A1	*	9/2014	Redli	A41D 13/0007 224/576
2017/0022640	A1	*	1/2017	Schenk	D04B 21/20

FOREIGN PATENT DOCUMENTS

CN	303154424	*	4/2015
CN	303973284	*	12/2016
CN	306674812	*	7/2021
WO	WOD068496-007	*	7/2007

OTHER PUBLICATIONS

Basil Discovery 365D Single, available at [rosebikes.it](https://www.rosebikes.it), earliest customer review date Mar. 8, 2020 [online], site visited Dec. 9, 2021, Available from the internet URL: <https://www.rosebikes.it/>

basil-discovery-365d-single-bag-m-pannier-2685477 (Year: 2020).*

Ibera Bicycle Bag, available at [amazon.com](https://www.amazon.com), earliest date available Nov. 12, 2012 [online], site visited Dec. 9, 2021, Available from the internet URL: <https://www.amazon.com/Ibera-Bicycle-Quick-Release-Weather-Panniers/dp/B00KW2ZIMQ/> (Year: 2012).*

Briggs & Riley Backpack, available at [selfridges.com](https://www.selfridges.com), date not available [online], site visited Dec. 9, 2021, Available from the internet URL: https://www.selfridges.com/US/en/cat/briggs-riley-delve-large-fold-over-woven-backpack_R03728970/?*

Axion Panniers—Pair, available at [rei.com](https://www.rei.com), earliest customer review date Dec. 2017 [online], site visited Dec. 9, 2021, Available from the internet URL: <https://www.rei.com/product/136731/axiom-cycling-gear-seymour-oceanweave-p35-panniers-pair?> (Year: 2017).*

Basil Post 1, available at [facebook.com](https://www.facebook.com), posted Jun. 30, 2020 [online], site visited Dec. 9, 2021, Available from the internet URL: <https://www.facebook.com/Basil.Company/photos/a.3189689887757308/3189702307756066/?type=3> (Year: 2020).*

Basil Post 2, available at [facebook.com](https://www.facebook.com), posted Jun. 30, 2020 [online], site visited Dec. 9, 2021, Available from the internet URL: <https://www.facebook.com/Basil.Company/photos/a.3189689887757308/3189702317756065/?type=3> (Year: 2020).*

Basil Post 3, available at [facebook.com](https://www.facebook.com), posted Jun. 30, 2020 [online], site visited Dec. 9, 2021, Available from the internet URL: <https://www.facebook.com/Basil.Company/photos/a.3189689887757308/3189703957755901/?type=3> (Year: 2020).*

Basil Post 4, available at [facebook.com](https://www.facebook.com), posted Jun. 30, 2020 [online], site visited Dec. 9, 2021, Available from the internet URL: <https://www.facebook.com/Basil.Company/photos/a.3189689887757308/3189706001089030/?type=3> (Year: 2020).*

Basil Post 5, available at [facebook.com](https://www.facebook.com), posted Jun. 30, 2020 [online], site visited Dec. 9, 2021, Available from the internet URL: <https://www.facebook.com/Basil.Company/photos/a.3189689887757308/3189705997755697/?type=3> (Year: 2020).*

Bontrager Town Single Pannier, available from [trekstore.jp](https://www.trekstore.jp), earliest date available Nov. 22, 2020 [online], site visited Dec. 9, 2021, Available from the internet URL: <https://www.trekstore.jp/news/?p=104343> (Year: 2020).*

Venture Pal Daypack, available at [amazon.com](https://www.amazon.com), earliest date available Mar. 25, 2019 [online], site visited Dec. 16, 2021, available from the internet URL: <https://www.amazon.com/Venture-Pal-Lightweight-Packable-Backpack/dp/B07PY3D9M7/> (Year: 2019).*

* cited by examiner

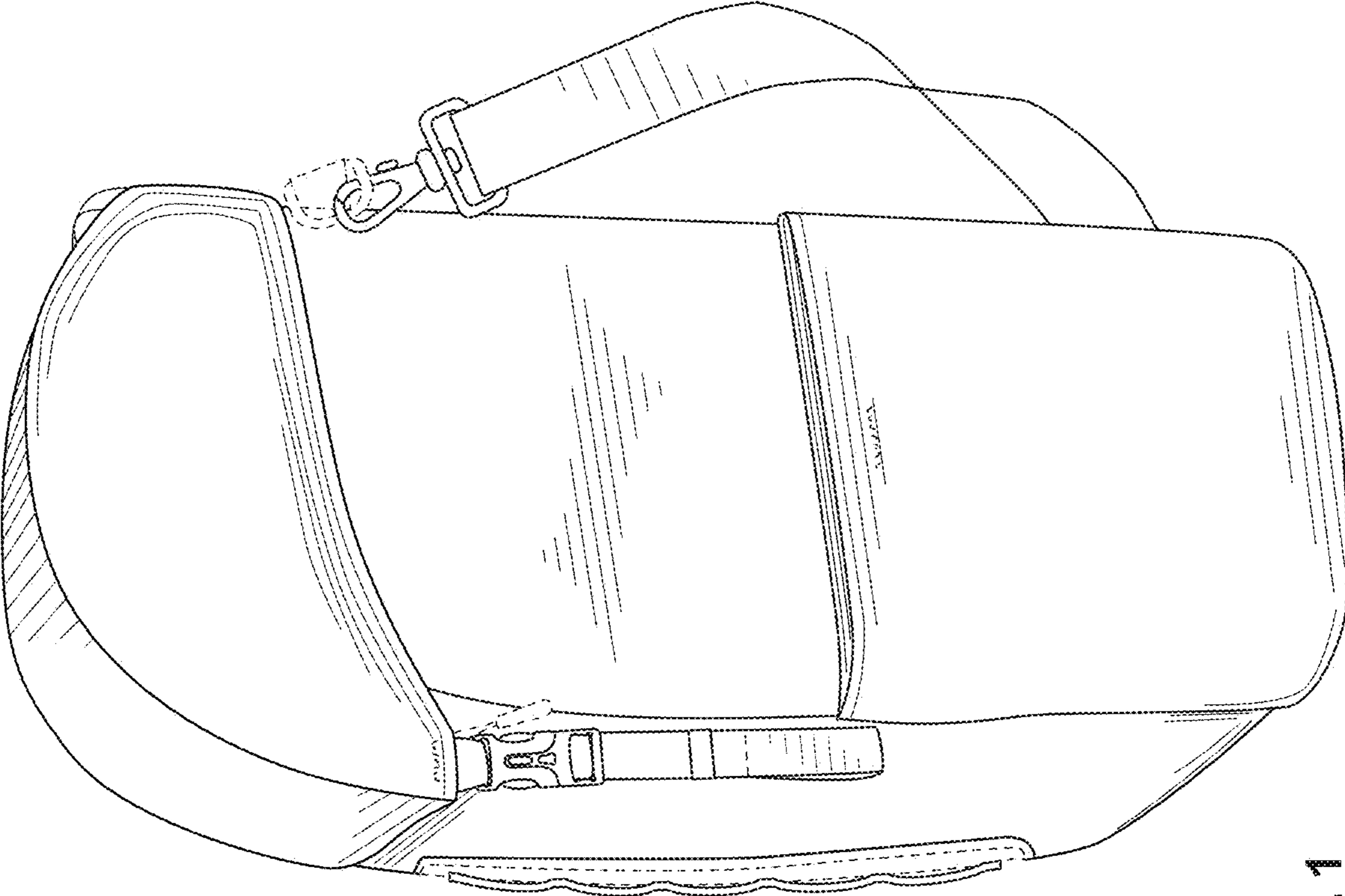


FIG. 1

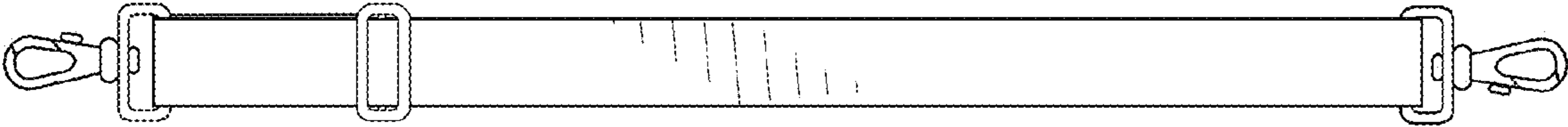


FIG. 3

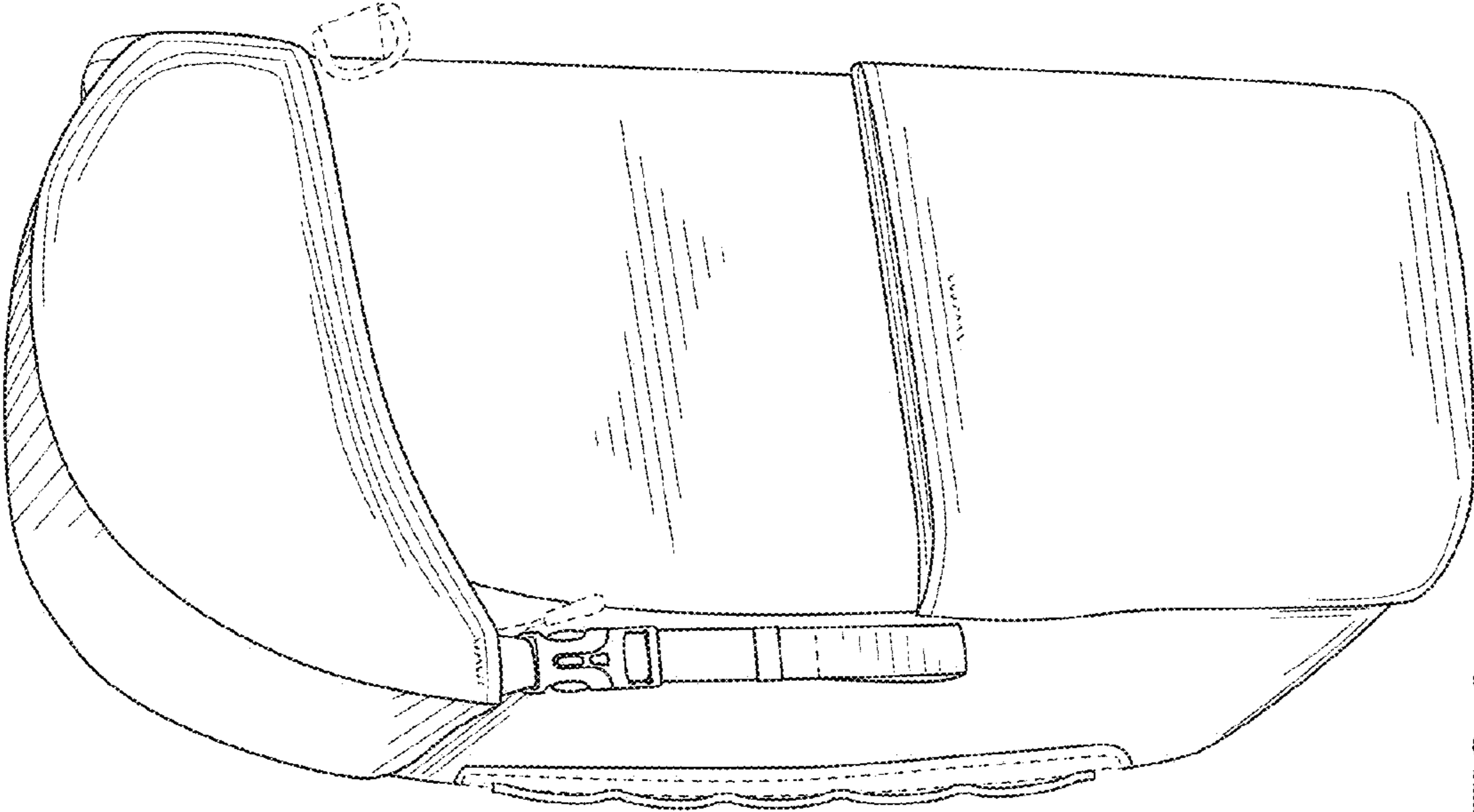


FIG. 2

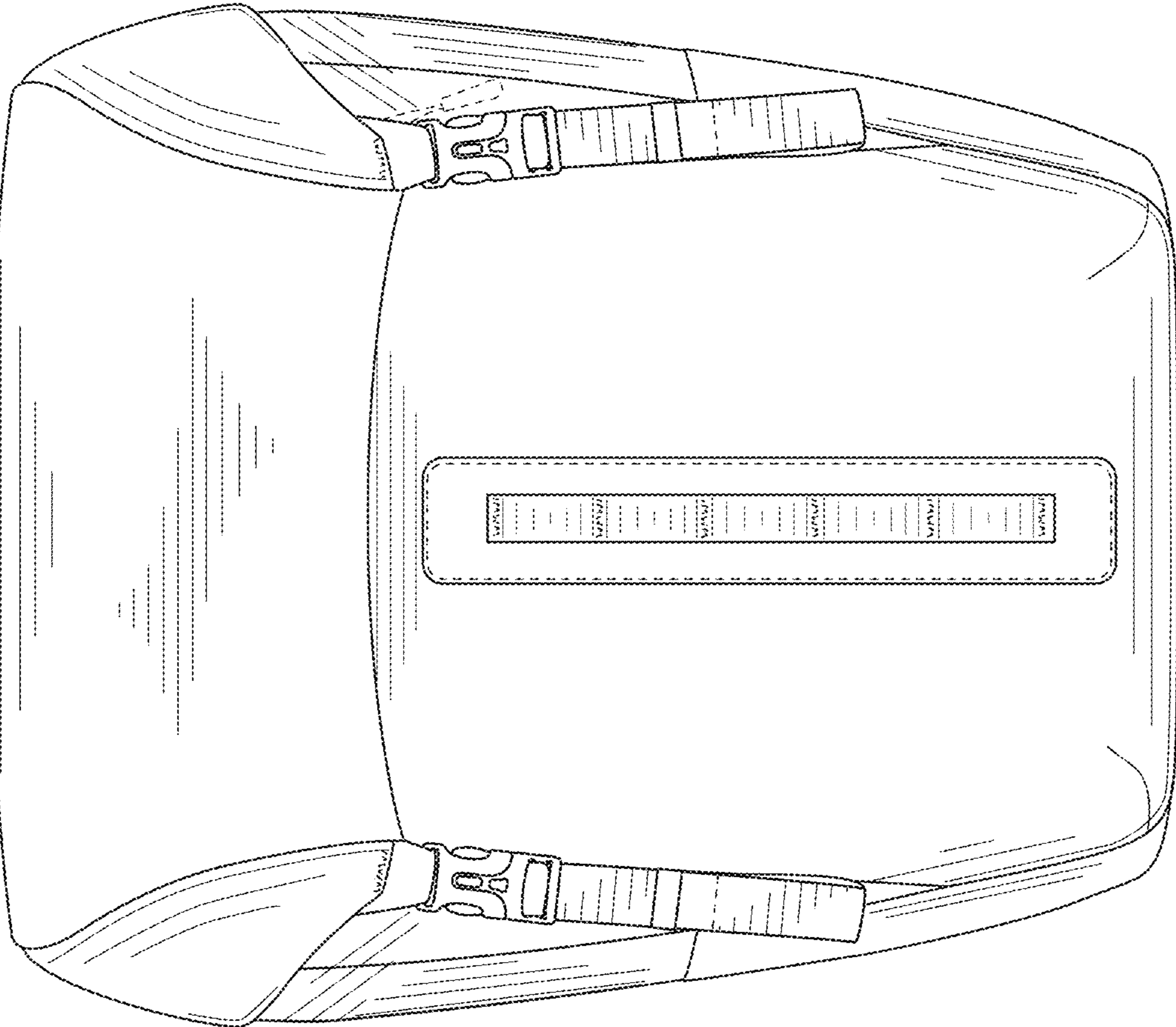


FIG. 4

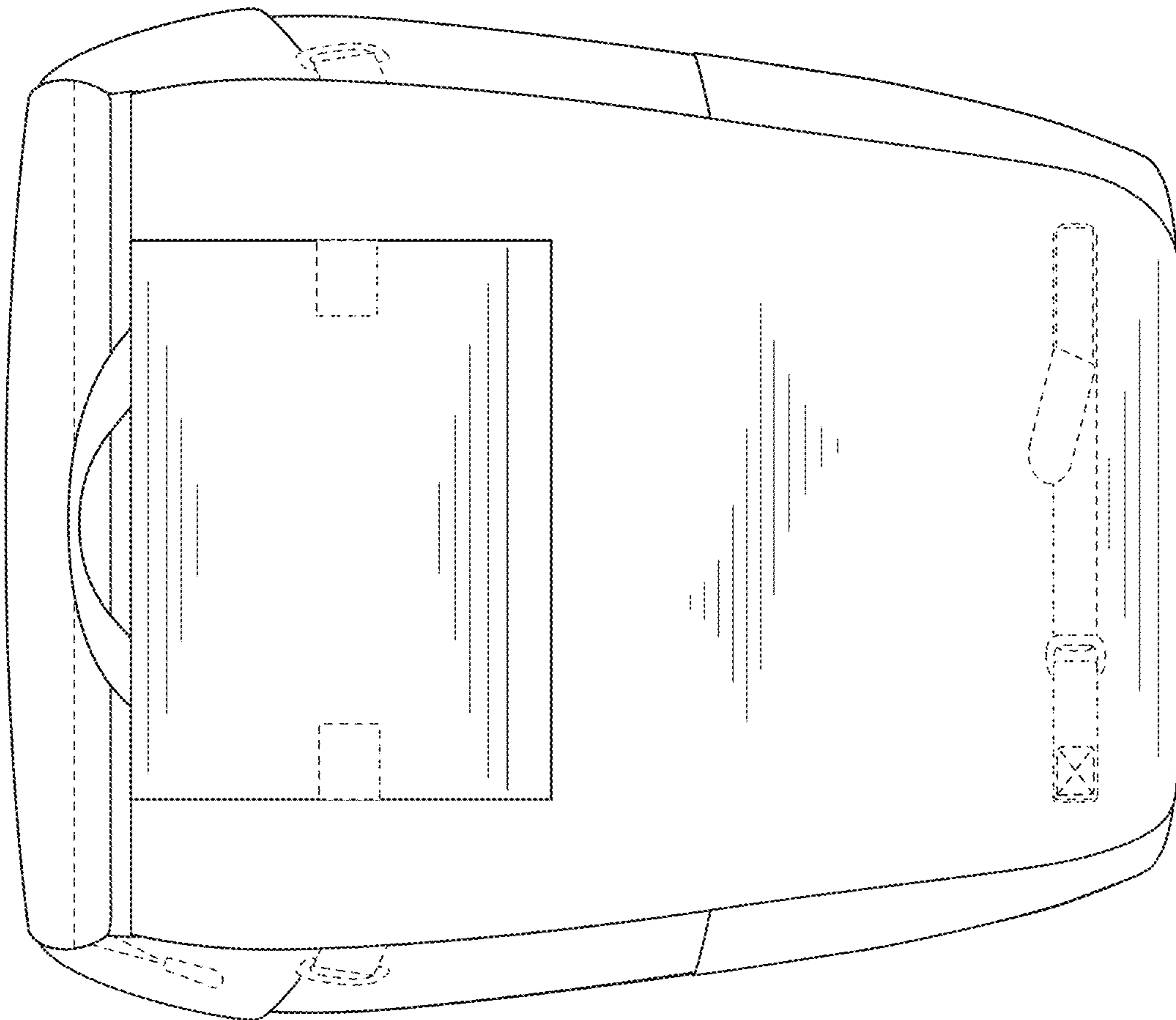


FIG. 5

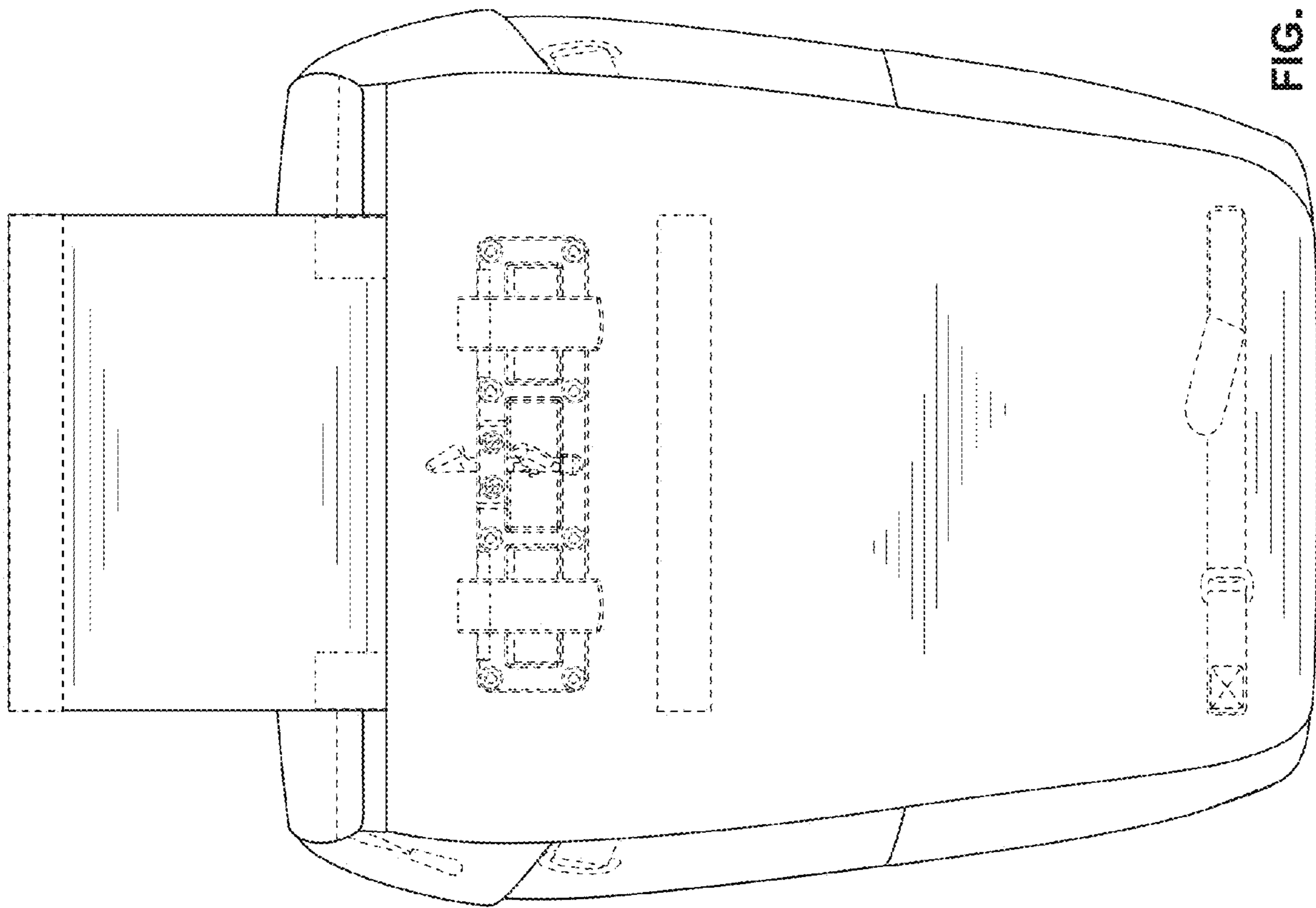


FIG. 6

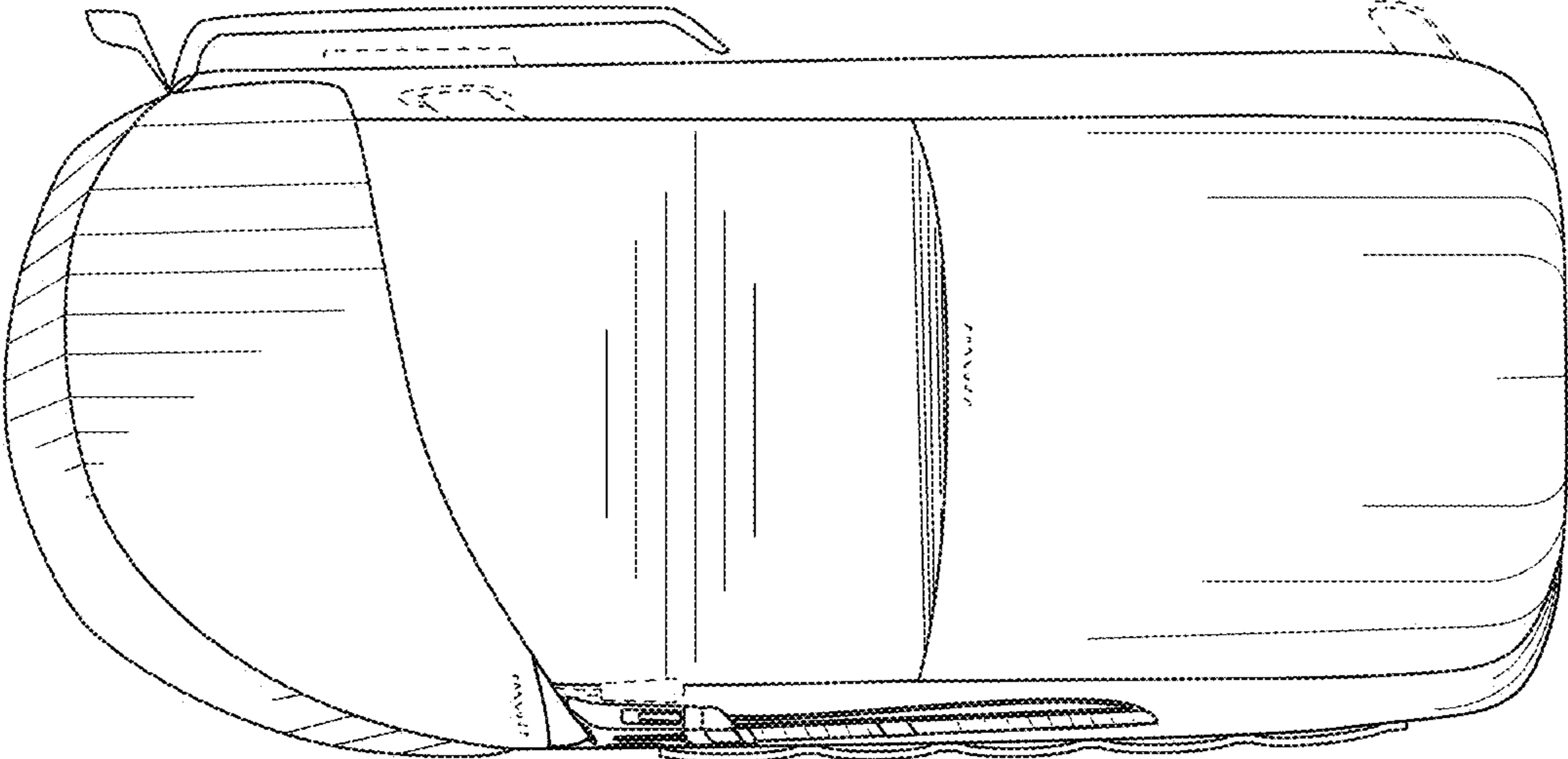


FIG. 7

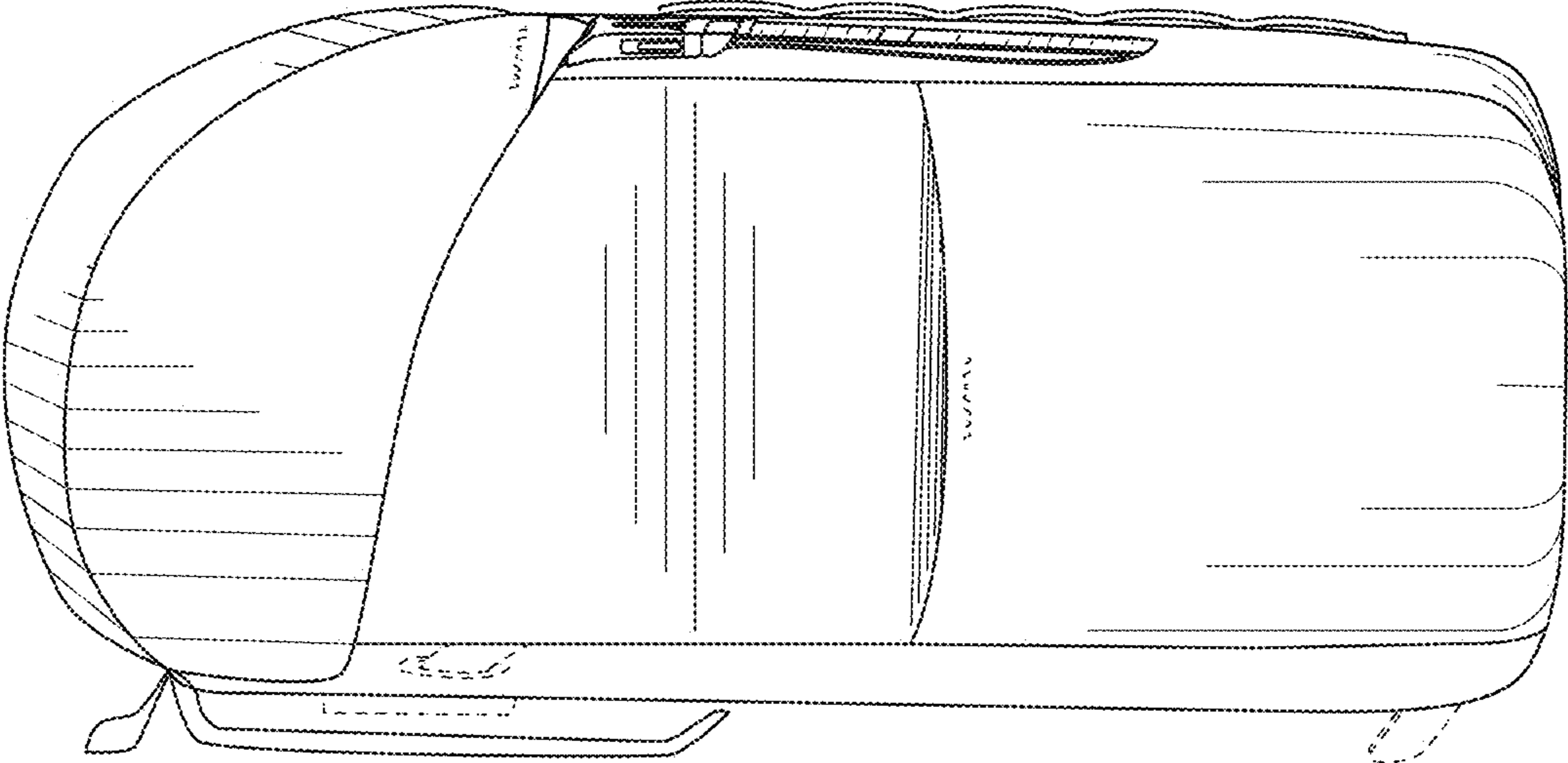


FIG. 8

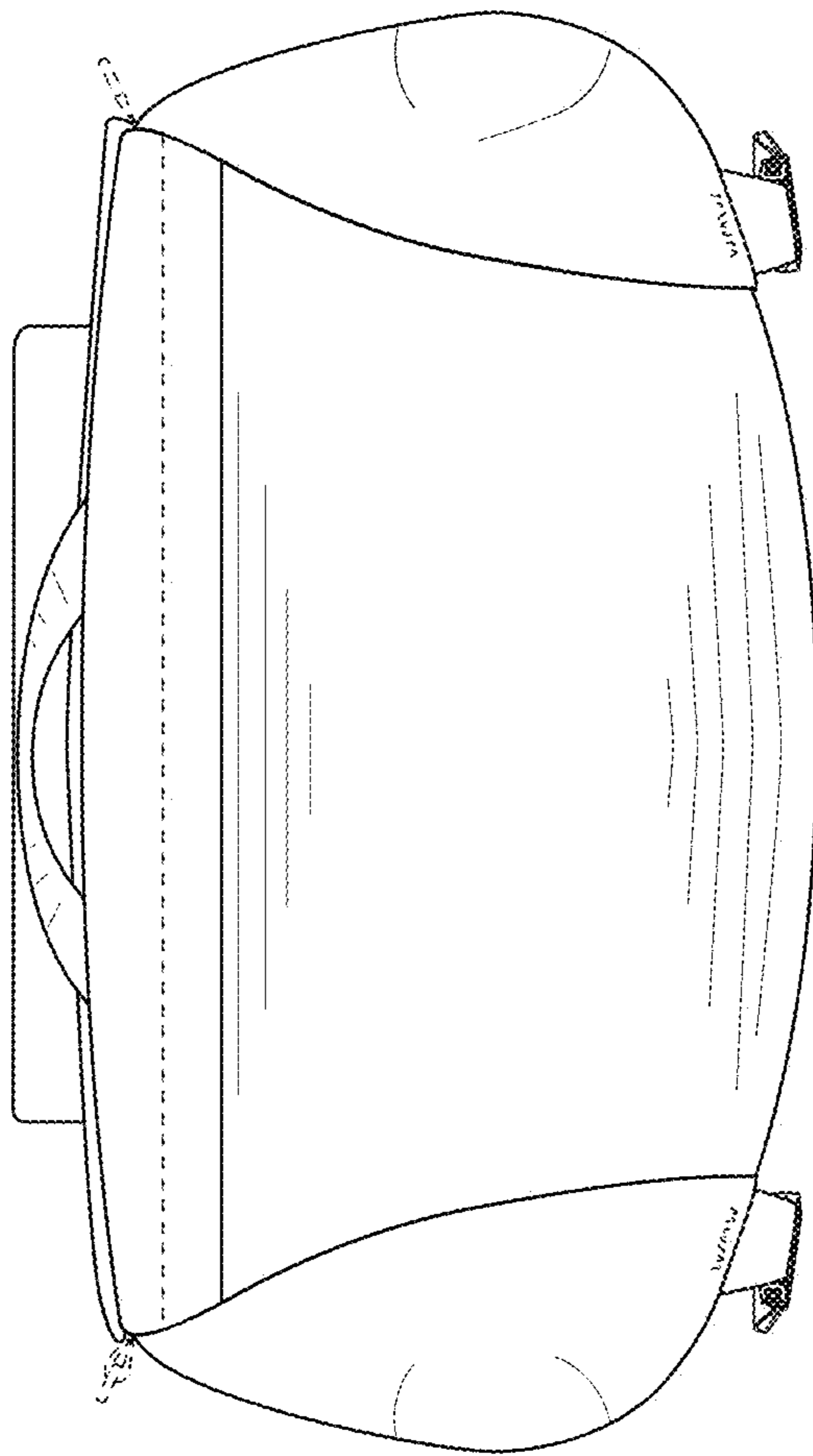


FIG. 9

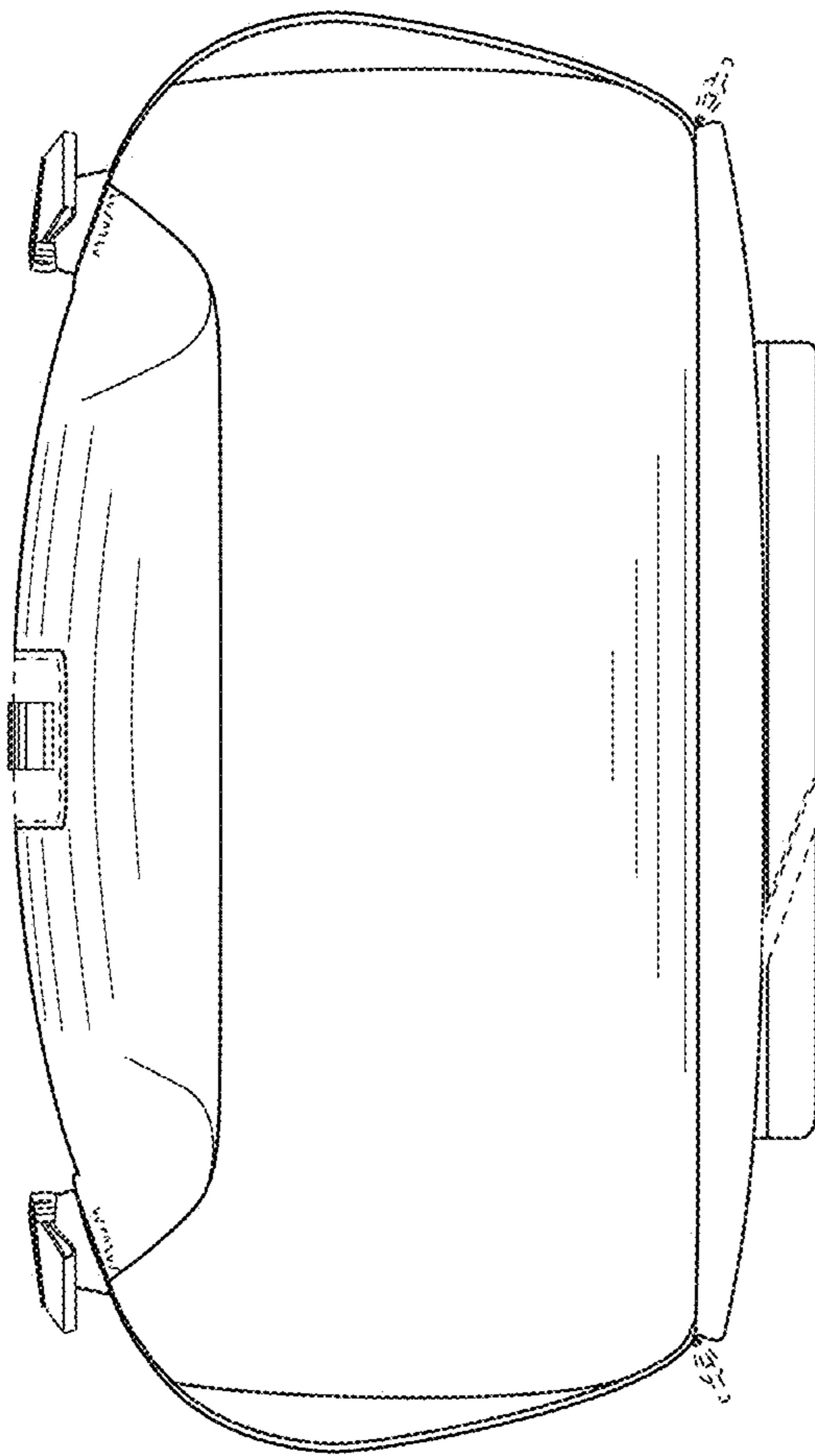


FIG. 10