



US00D977825S

(12) **United States Design Patent**
Dejadon

(10) **Patent No.:** **US D977,825 S**

(45) **Date of Patent:** **** Feb. 14, 2023**

(54) **NURSING BAG**

(71) Applicant: **Columbia Insurance Company,**
Omaha, NE (US)

(72) Inventor: **Lynne Dejadon,** Pelham, NH (US)

(**) Term: **15 Years**

(21) Appl. No.: **29/746,391**

(22) Filed: **Aug. 13, 2020**

(51) **LOC (14) Cl.** **03-01**

(52) **U.S. Cl.**
USPC **D3/217; D3/203.7**

(58) **Field of Classification Search**

USPC D3/201, 203.1, 203.6, 203.7, 203.8, 205,
D3/206, 213, 215, 276, 283, 285, 289,
D3/304, 306, 319, 297, 310, 313, 314,
D3/315, 232, 244, 260, 318, 902, 204,
D3/216, 217; D9/425, 756, 761, 737;
D27/186; D19/75, 90, 92, 100-107;
D7/637, 607, 709

CPC B65D 25/06; A45C 3/06
See application file for complete search history.

(56) **References Cited**

U.S. PATENT DOCUMENTS

D610,795 S *	3/2010	Dejadon	D3/203.1
D819,959 S *	6/2018	Choi	D3/217
D883,047 S *	5/2020	Kou	D7/607
D895,272 S *	9/2020	Zhitian	D3/217
D896,504 S *	9/2020	Li	D3/217
D941,014 S *	1/2022	Ren	D3/217

FOREIGN PATENT DOCUMENTS

CN	304965113	*	12/2018
CN	305283134	*	1/2019

OTHER PUBLICATIONS

amazon.com, Site visited Jul. 11, 2022, Nurse Mates Ultimate Bag,
First available Nov. 21, 2007, <https://www.amazon.com/The-Ultimate-Nursing-Bag-Black/dp/B000ZLUG6M> (Year: 2007).*

(Continued)

Primary Examiner — Brett Miller

Assistant Examiner — Jessica M Gebhart

(74) *Attorney, Agent, or Firm* — IP Attorneys Group,
LLC

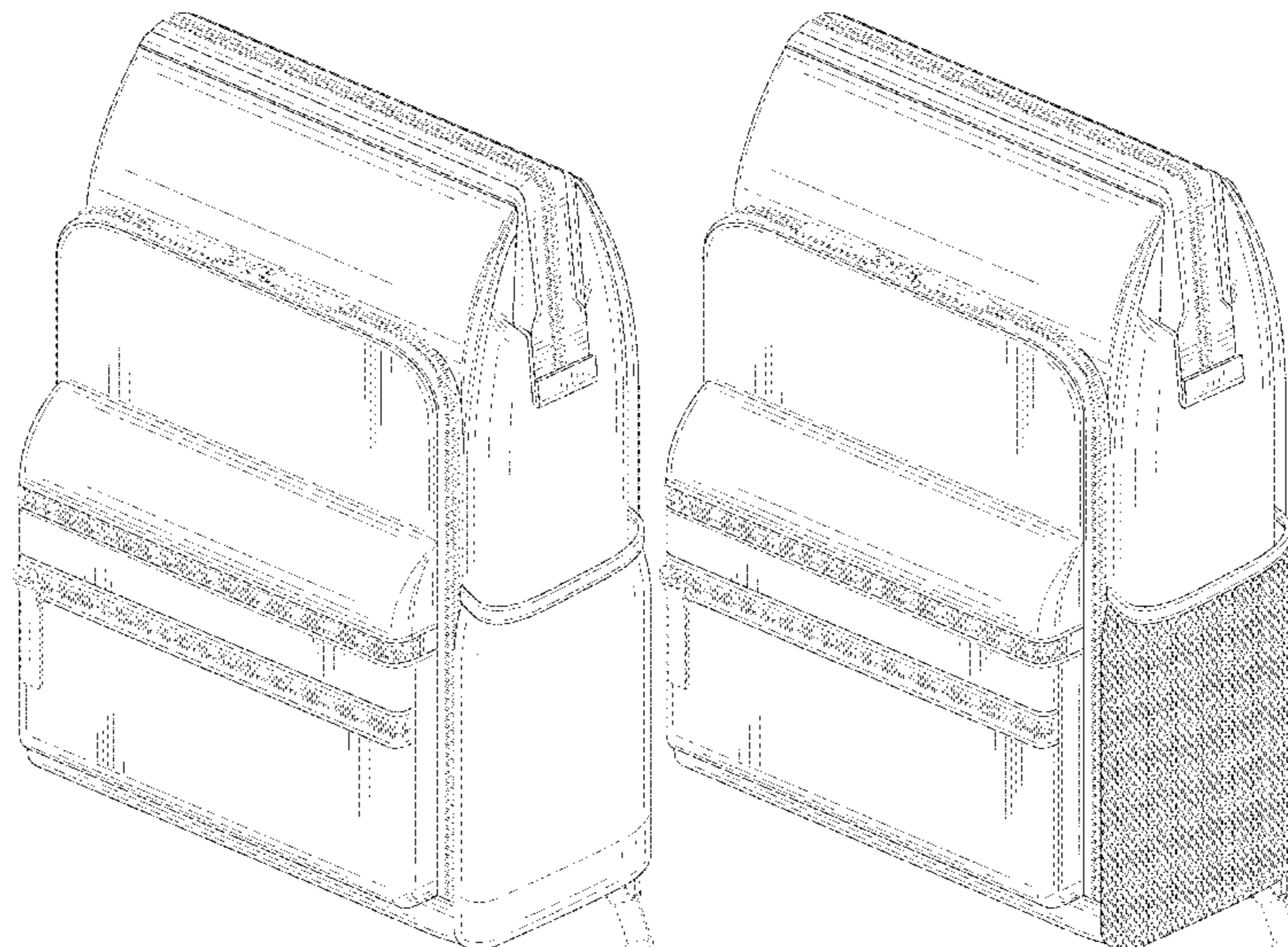
(57) **CLAIM**

The ornamental design for a nursing bag, as shown and described.

DESCRIPTION

FIG. 1 is a perspective view of a nursing bag in accordance with my new design;
FIG. 2 is a front view thereof;
FIG. 3 is a rear view thereof;
FIG. 4 is a right side view thereof;
FIG. 5 is a left side view thereof;
FIG. 6 is a top view thereof;
FIG. 7 is a bottom view thereof;
FIG. 8 is perspective view of another embodiment of the nursing bag shown in FIG. 1;
FIG. 9 is front view of another embodiment of the nursing bag shown in FIG. 1;
FIG. 10 is rear view of another embodiment of the nursing bag shown in FIG. 1;
FIG. 11 is right side of another embodiment of the nursing bag shown in FIG. 1;
FIG. 12 is left side of another embodiment of the nursing bag shown in FIG. 1;
FIG. 13 is top view of another embodiment of the nursing bag shown in FIG. 1; and,
FIG. 14 is bottom view of another embodiment of the nursing bag shown in FIG. 1.
The broken lines shown in all of the figures form no part of the claimed design.

1 Claim, 12 Drawing Sheets



(56)

References Cited

OTHER PUBLICATIONS

Youtube.com, site visited Jul. 11, 2022, "What's In My Newborn Diaper Bag 2019," uploaded on Feb. 11, 2019 by Kayla Buell features the HaloVa Diaper Bag, <https://www.youtube.com/watch?v=XrytpHyb0nl> (Year: 2019).*

Amazon.ca, Site visited Jul. 11, 2022, Mokaloo Diaper Bag Backpack, first available Oct. 12, 2019, <https://www.amazon.ca/Mokaloo-Anti-Water-Maternity-Insulated-Multi-functional/dp/B07JG43YPK?th=1> (Year: 2019).*

* cited by examiner

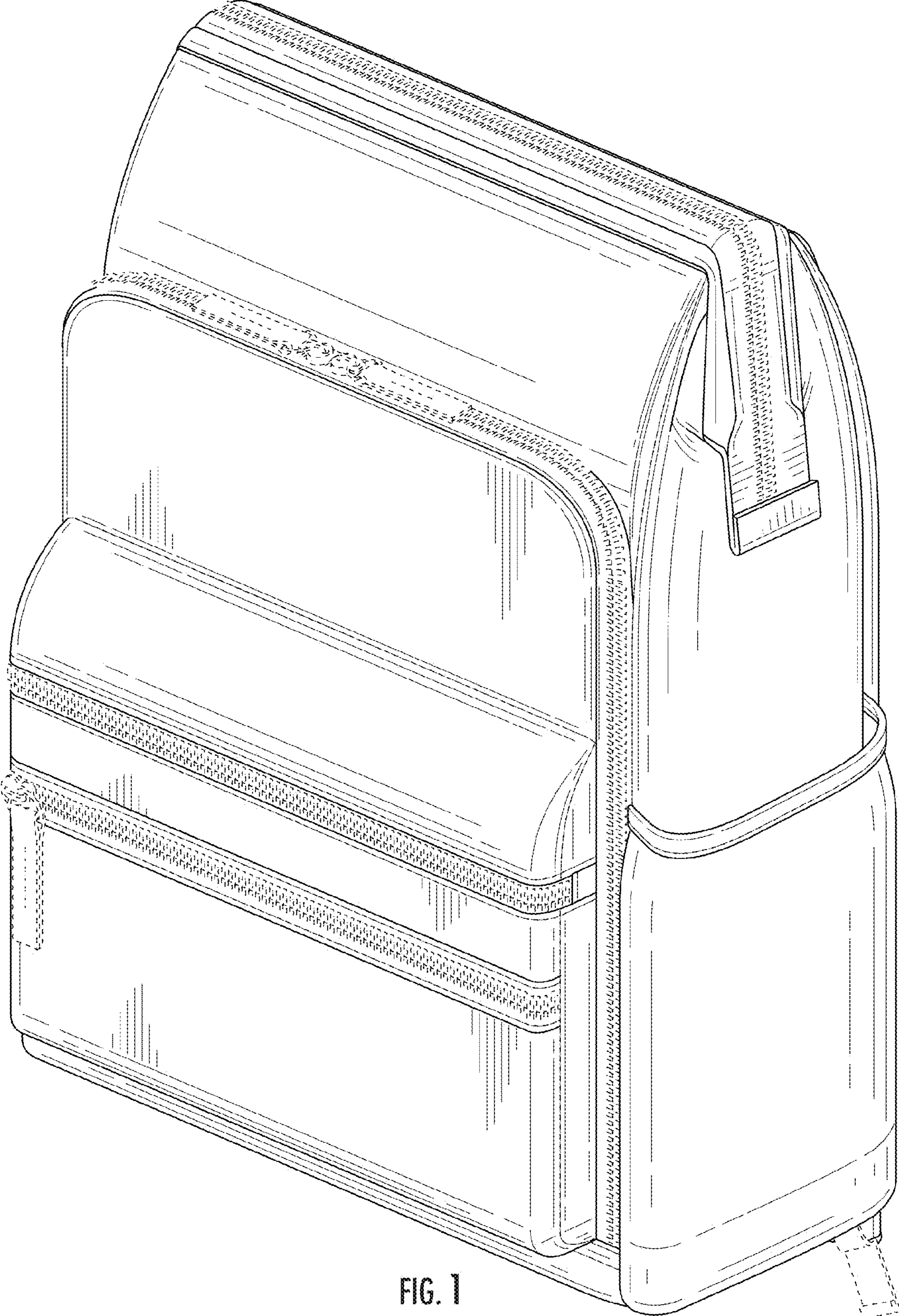


FIG. 1

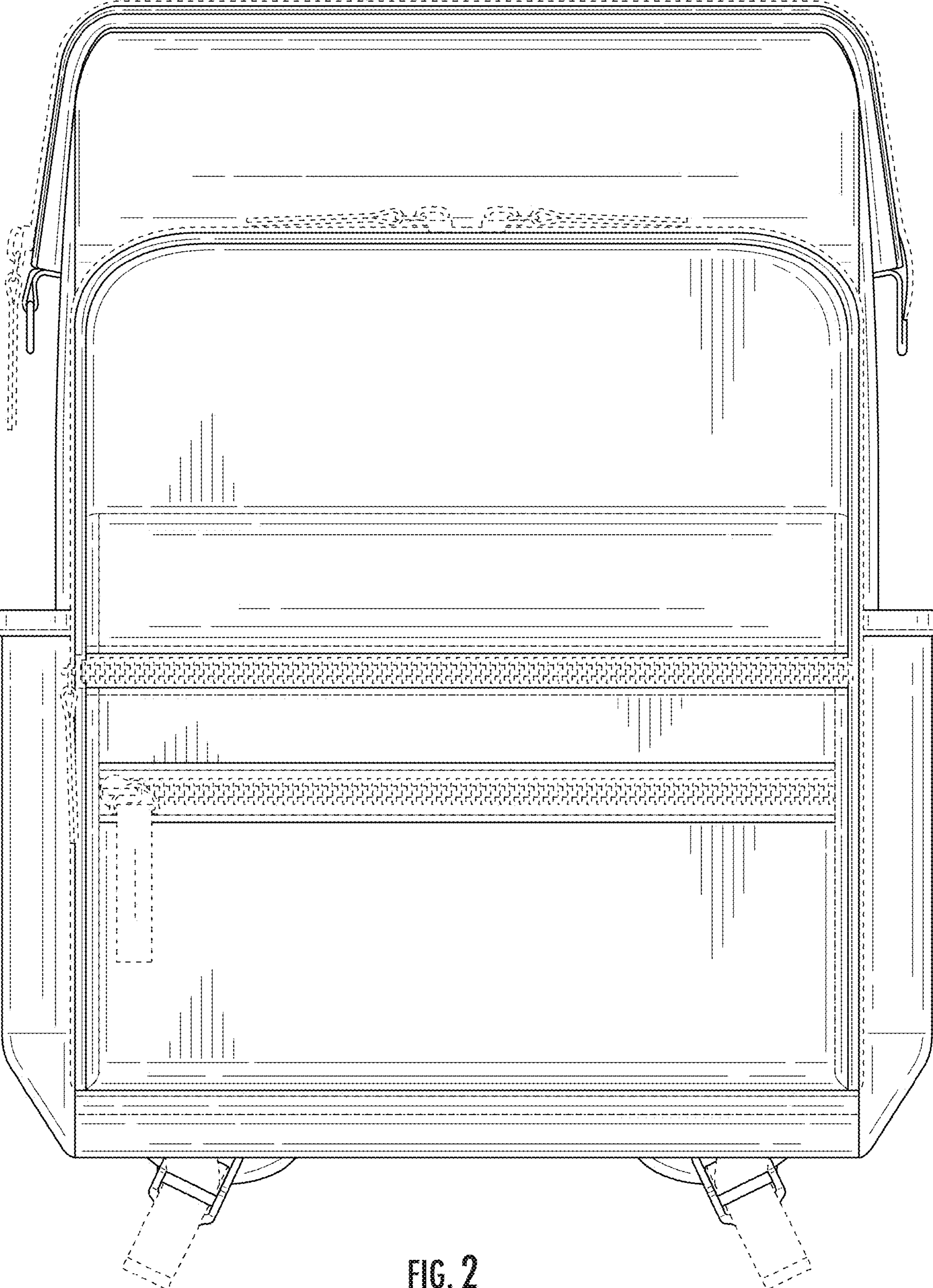


FIG. 2

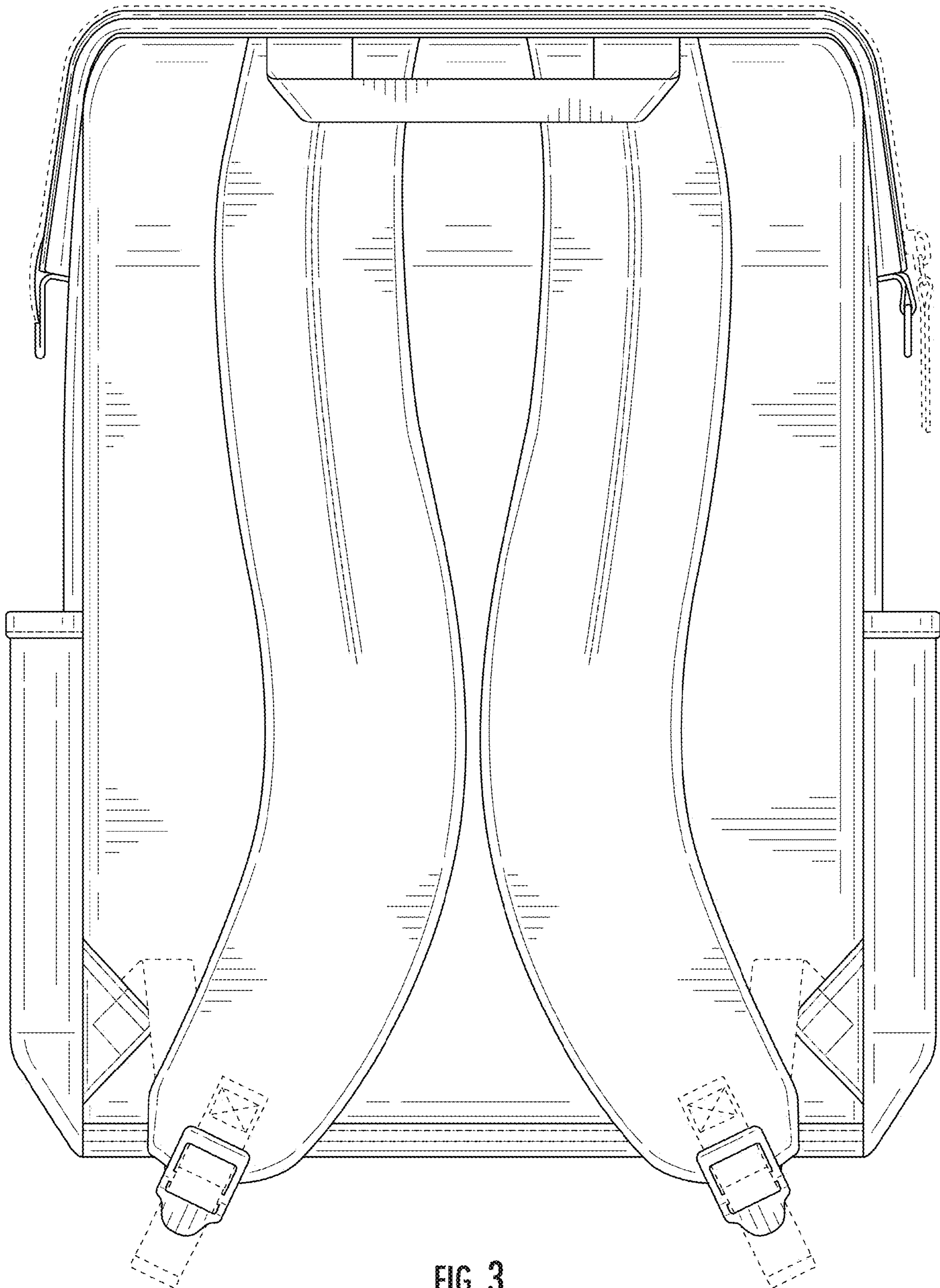


FIG. 3

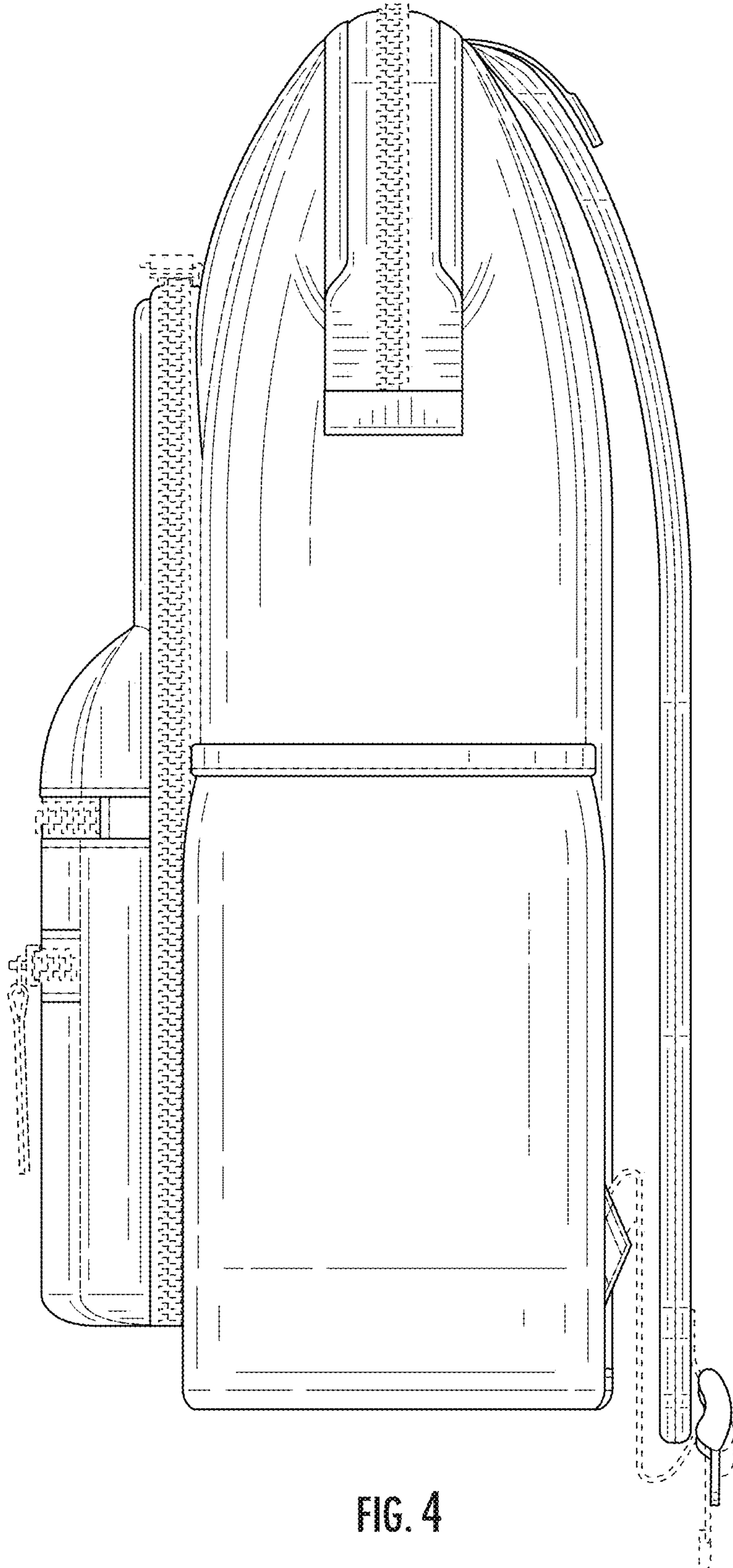


FIG. 4

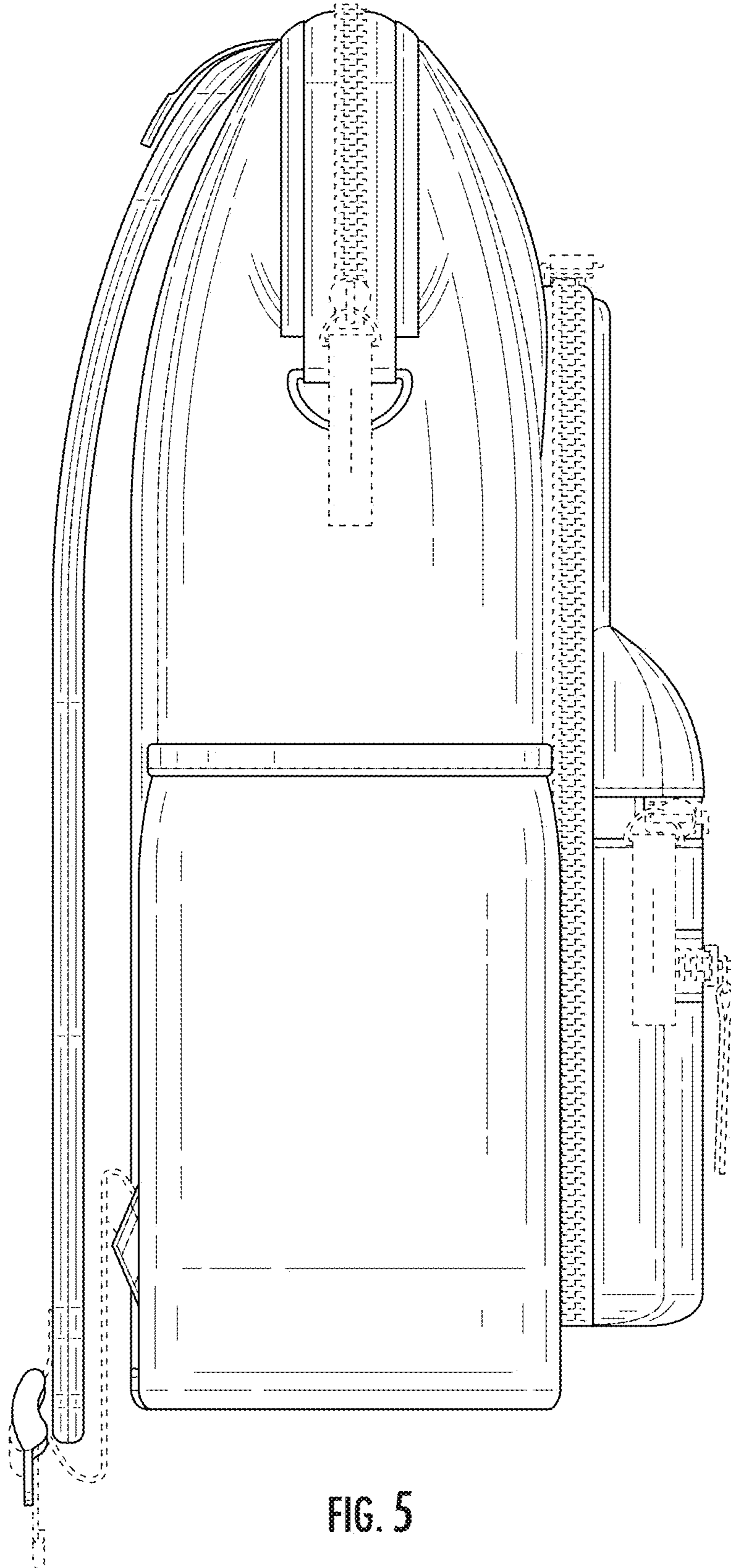


FIG. 5

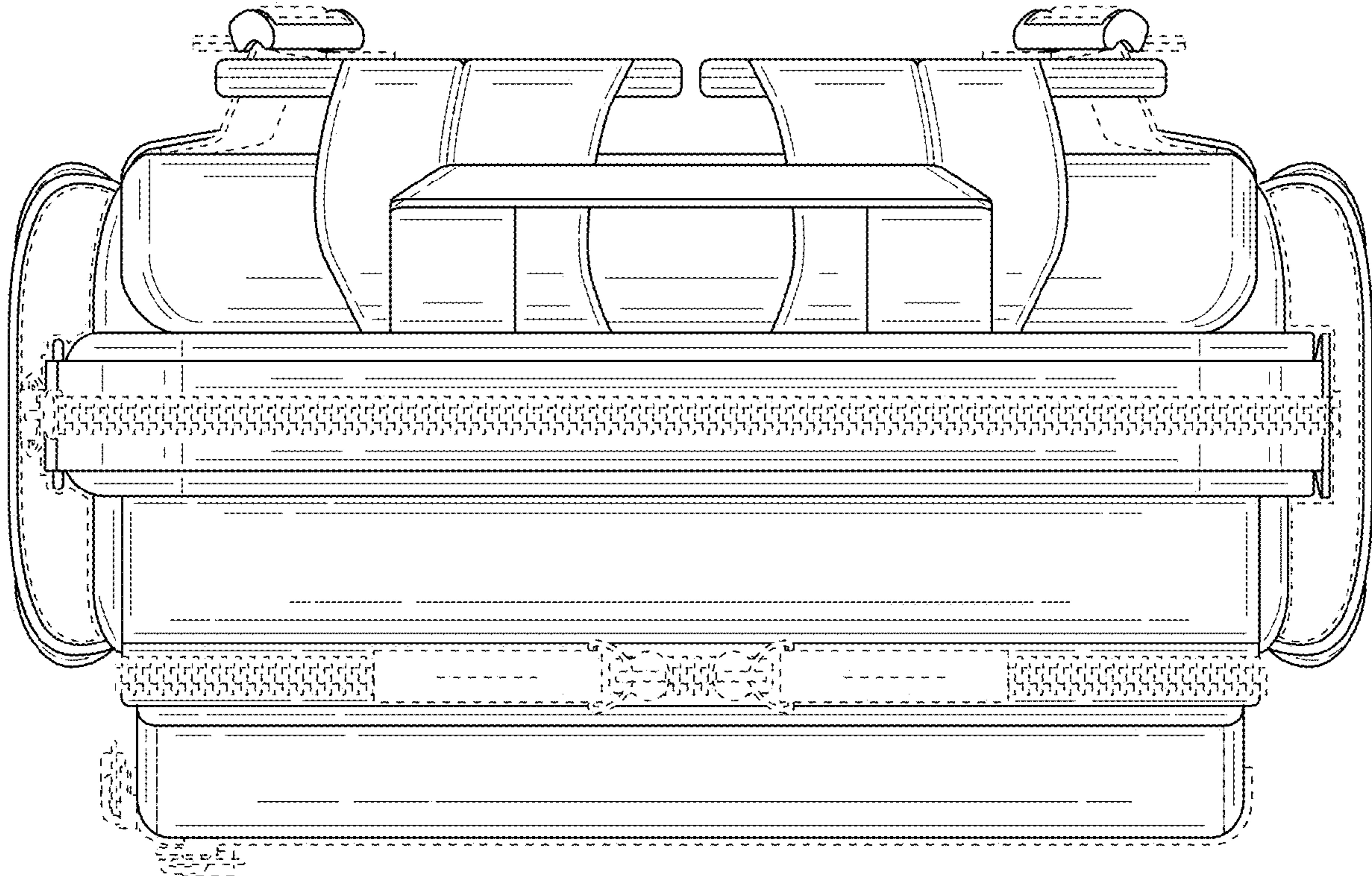


FIG. 6

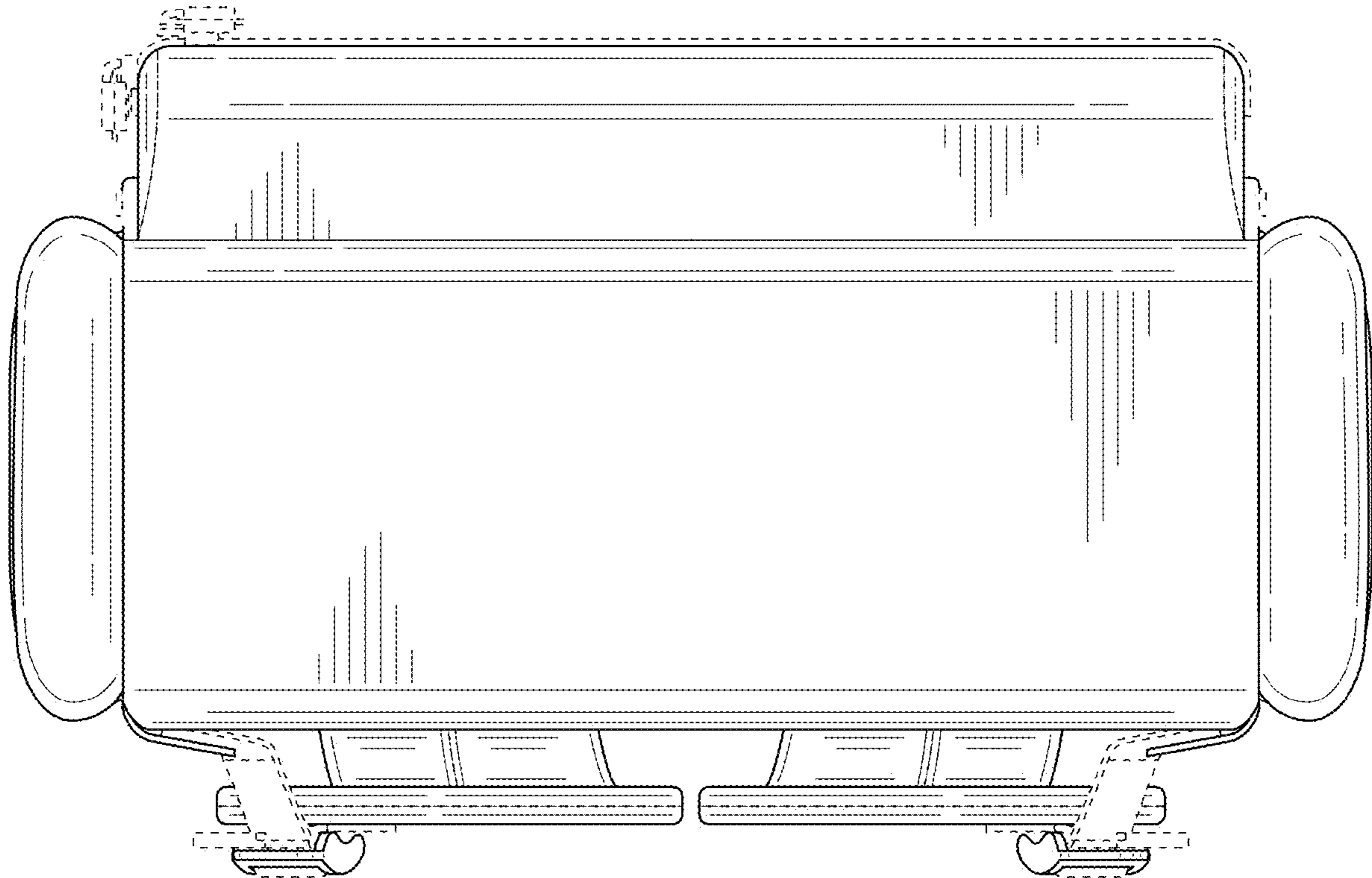


FIG. 7

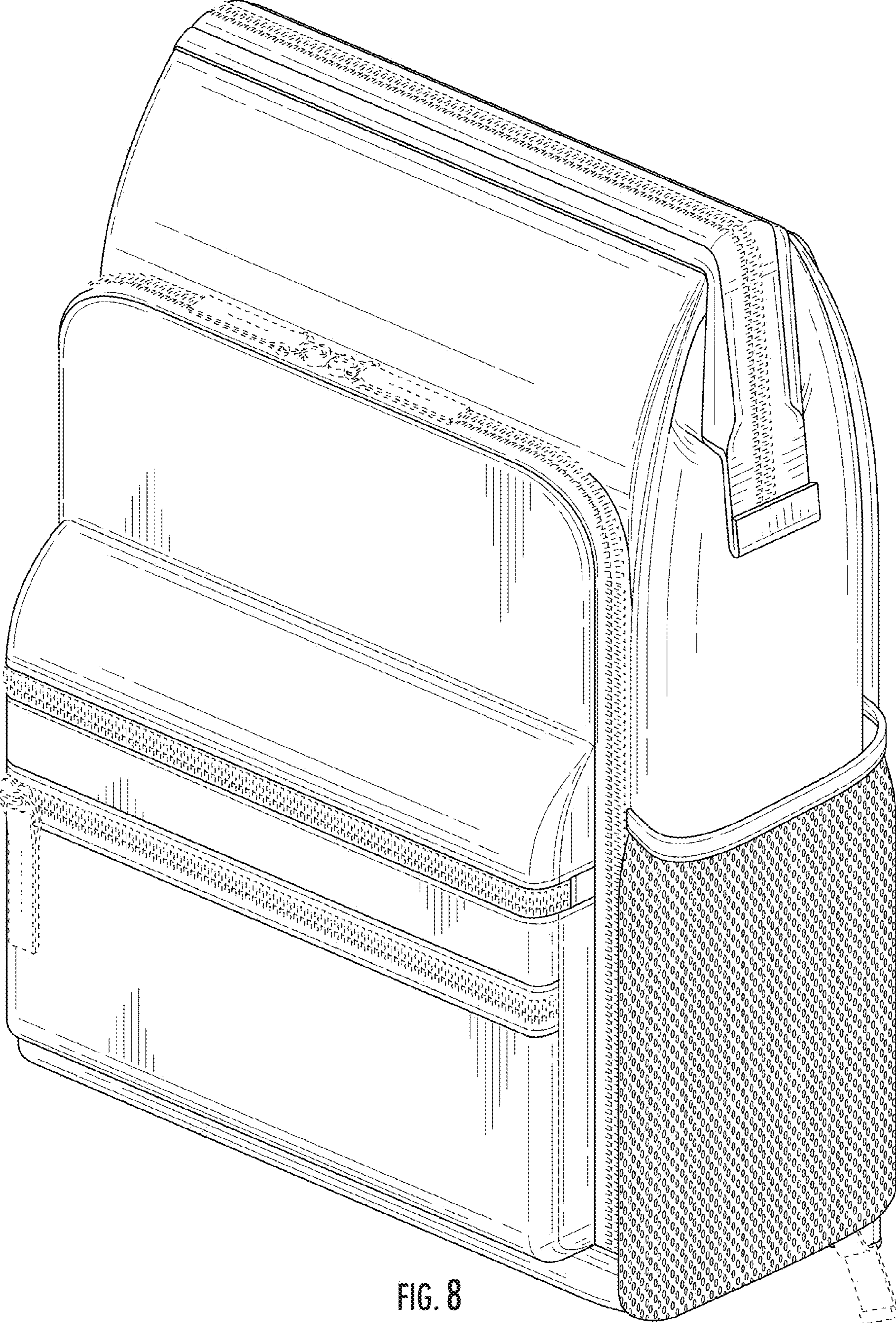


FIG. 8

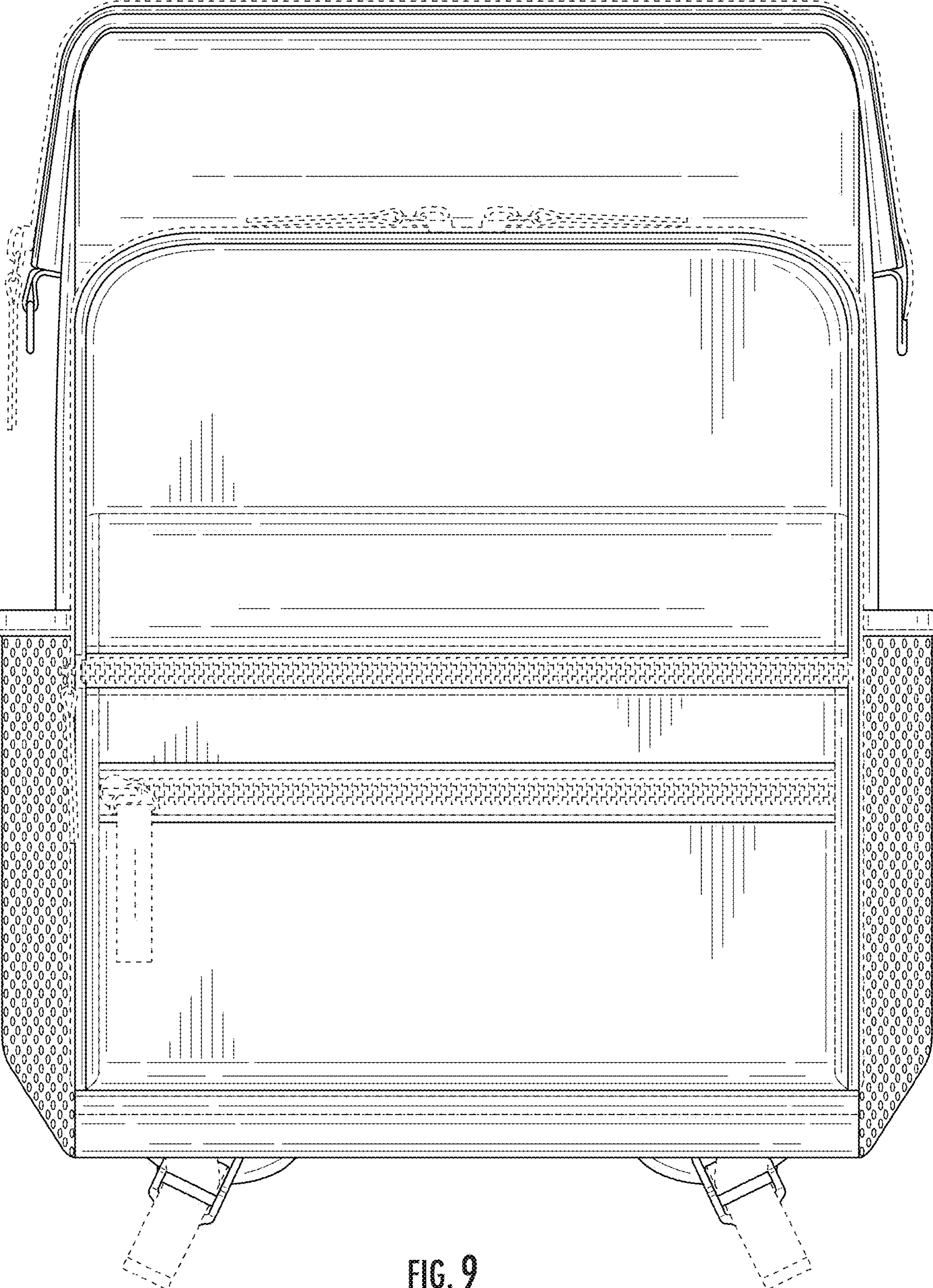


FIG. 9

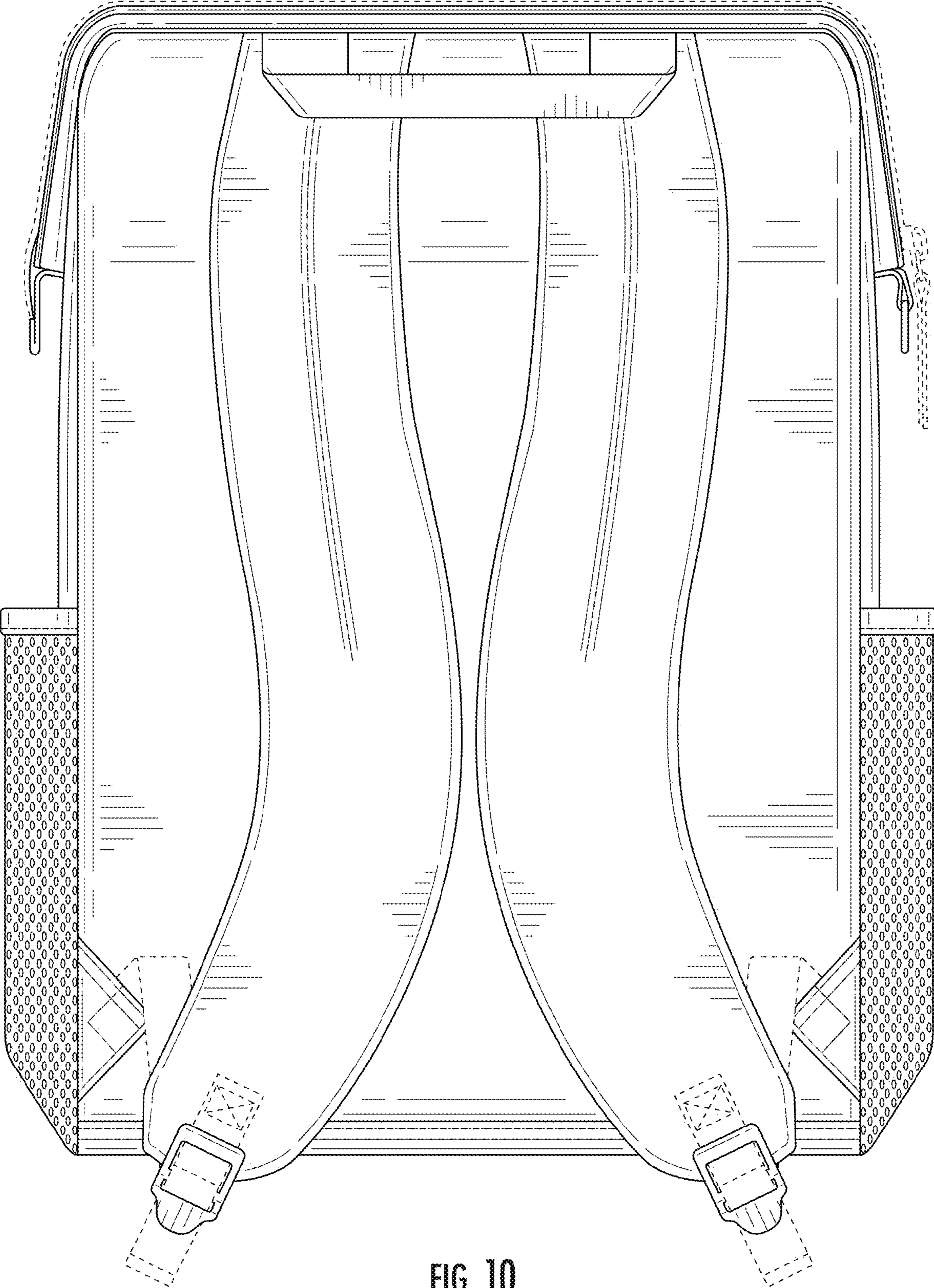


FIG. 10

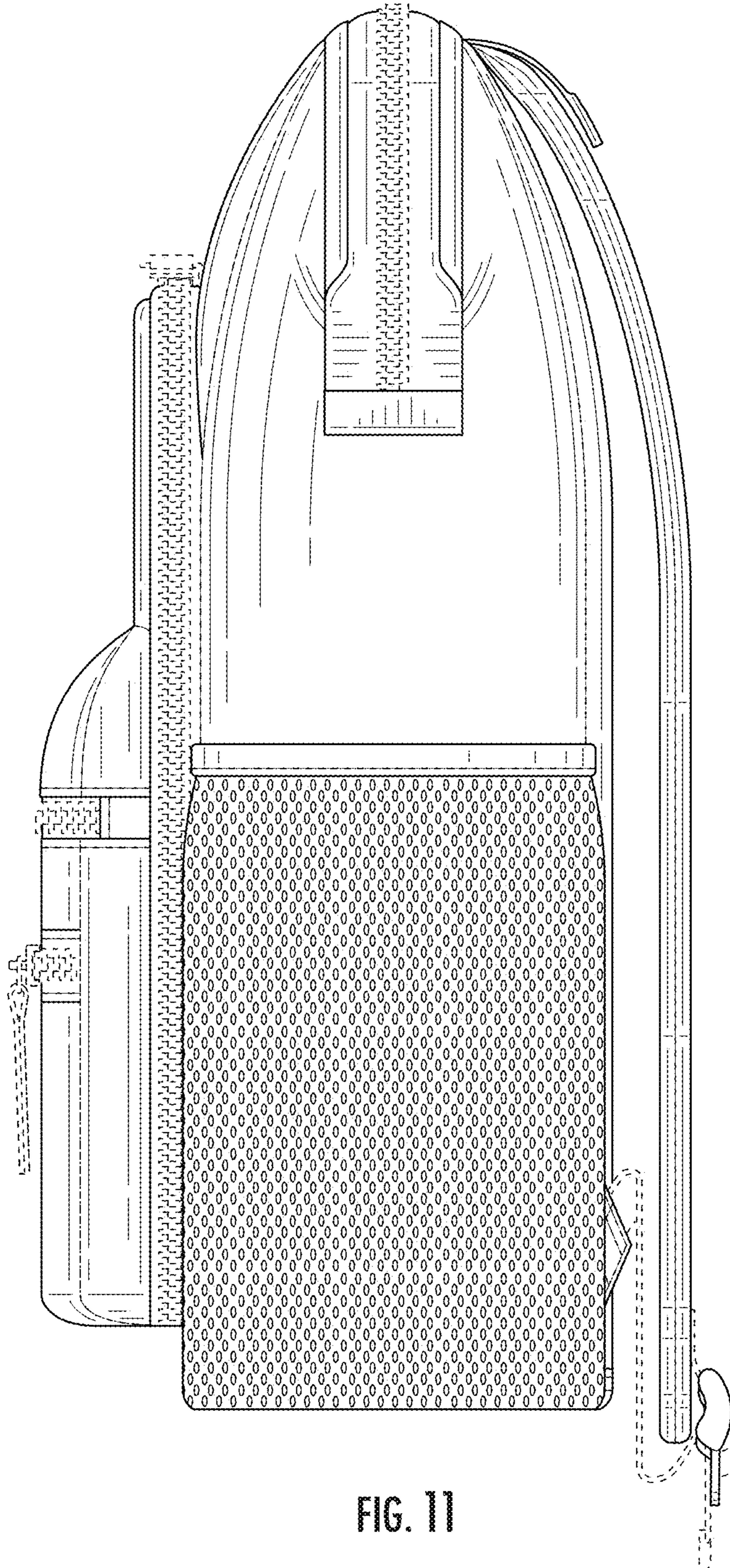


FIG. 11

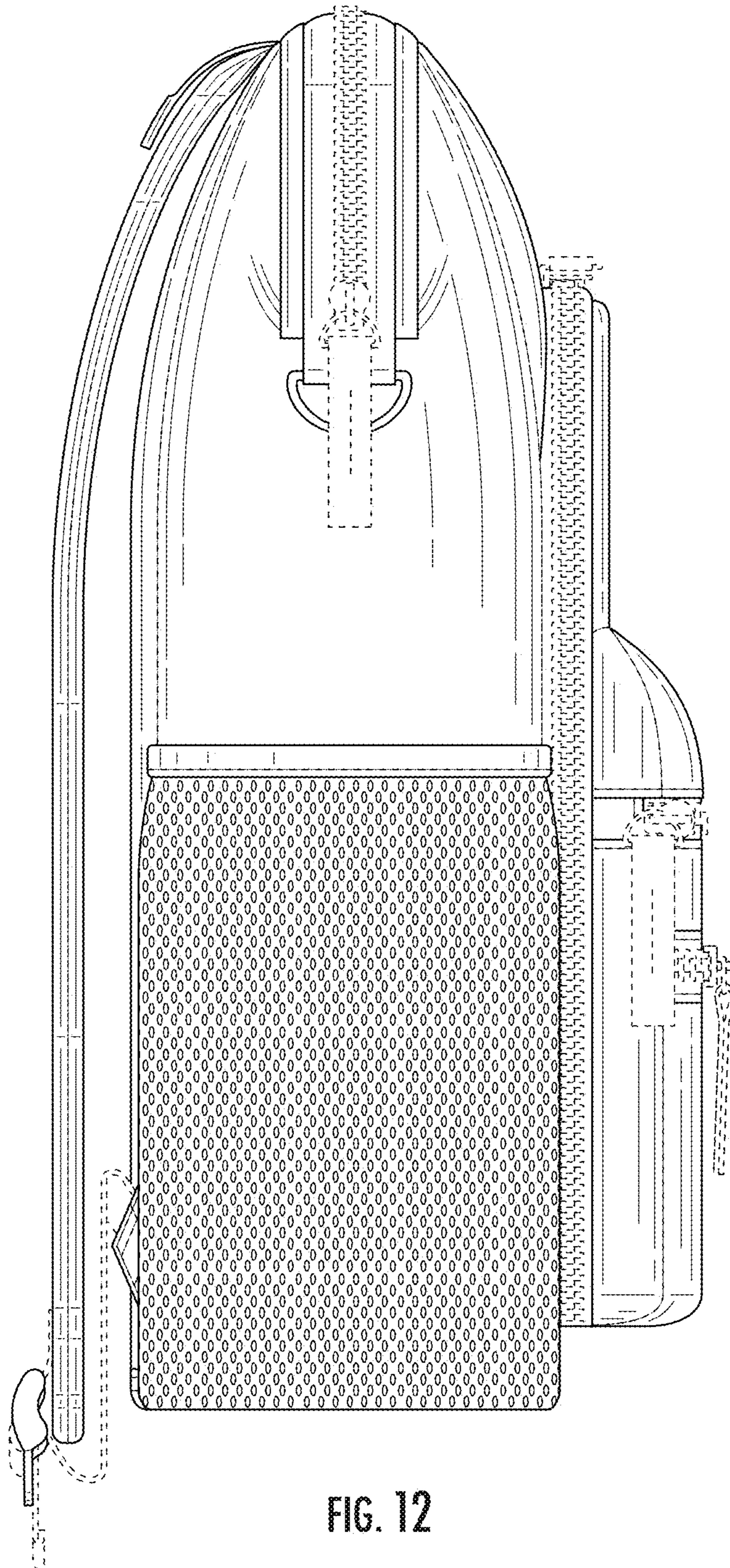


FIG. 12

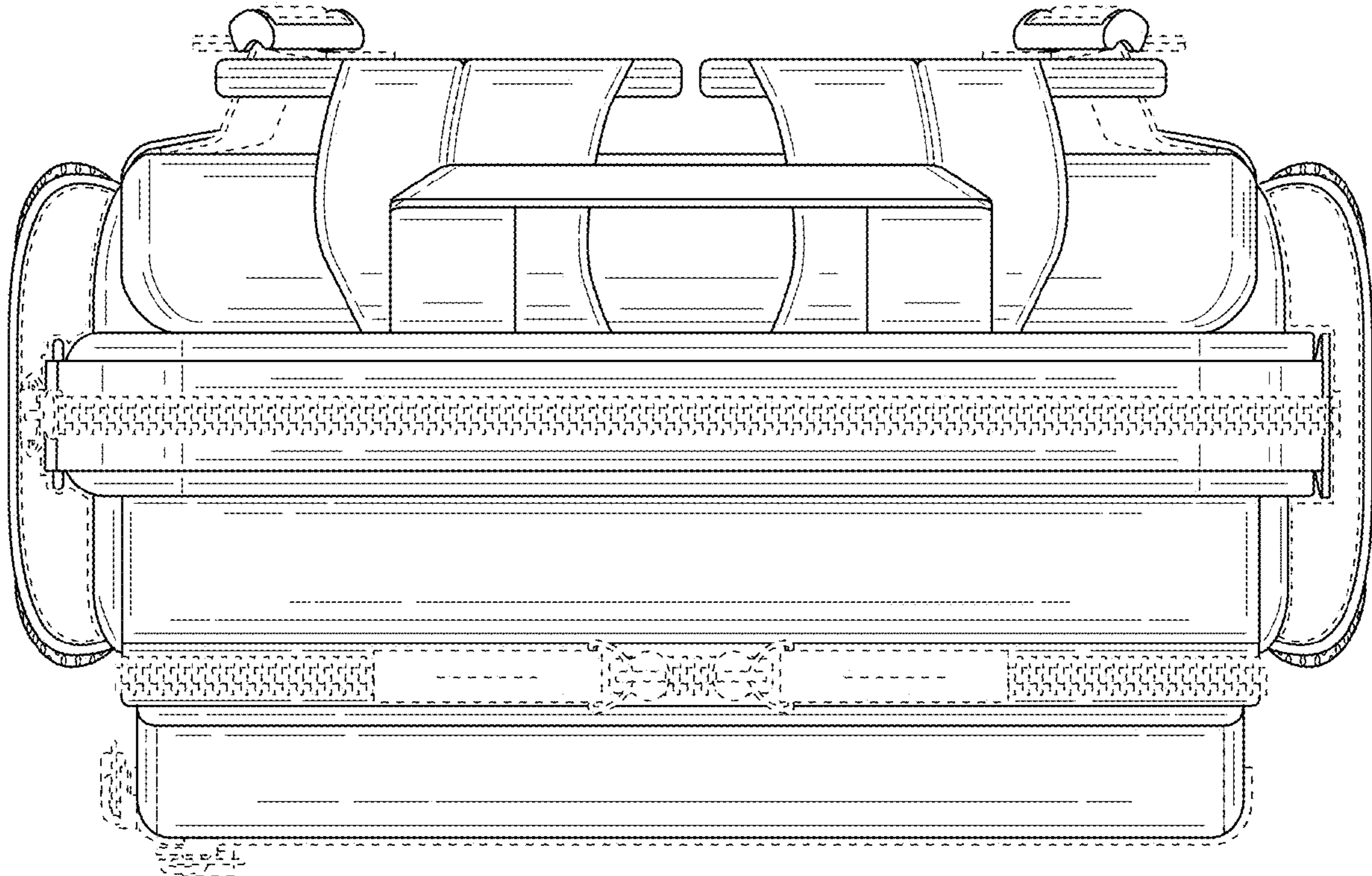


FIG. 13

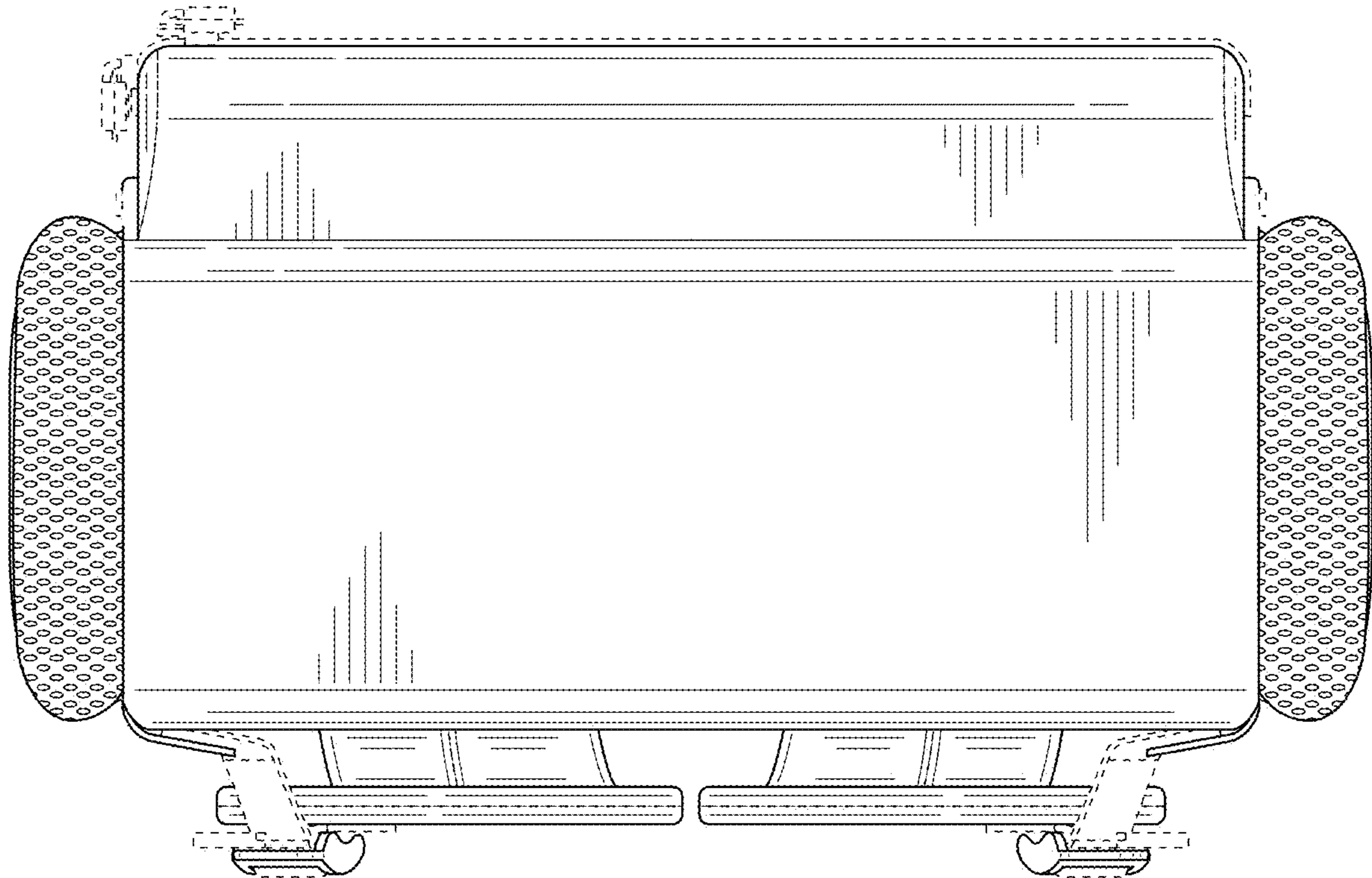


FIG. 14