



US00D977824S

(12) **United States Design Patent**
Rebuglio

(10) **Patent No.:** **US D977,824 S**

(45) **Date of Patent:** **** Feb. 14, 2023**

(54) **BACKPACK**

(71) Applicant: **LOUIS VUITTON MALLETIER,**
Paris (FR)

(72) Inventor: **Attilio Rebuglio,** Paris (FR)

(73) Assignee: **LOUIS VUITTON MALLETIER,**
Paris (FR)

(**) Term: **15 Years**

(21) Appl. No.: **29/761,782**

(22) Filed: **Dec. 11, 2020**

(30) **Foreign Application Priority Data**

Jun. 26, 2020 (FR) 2020-2941

(51) **LOC (14) Cl.** **03-01**

(52) **U.S. Cl.**
USPC **D3/216**

(58) **Field of Classification Search**
USPC D3/213-217, 221, 224-226, 231, 232,
D3/233, 242-244, 254, 255
CPC A45F 3/00; A45F 3/005; A45F 3/02; A45F
3/04; A45F 3/042; A45F 3/047; A45F
3/06; A45F 3/08; A45F 3/10; A45F
2003/001; A45F 2003/002; A45F
2003/003; A45F 2003/006; A45F
2003/007; A45F 2003/008; A45F
2003/025; A45F 2003/045; A45F
2200/00; A45F 2200/05; A45F
2200/0525; A45F 2200/0533
See application file for complete search history.

(56) **References Cited**

U.S. PATENT DOCUMENTS

1,444,652 A * 2/1923 Blakesley A45F 3/04
224/201
2,456,247 A * 12/1948 Bernau A45F 3/04
224/655

D358,706 S * 5/1995 Kopel D3/233
D396,745 S * 8/1998 Peterson D3/216
D396,952 S * 8/1998 Liu D3/216
D413,015 S * 8/1999 Albers D3/216
D480,866 S * 10/2003 Alfons D3/217
D501,602 S * 2/2005 Karlsson D3/255

(Continued)

FOREIGN PATENT DOCUMENTS

PH 3-2016-760-0001 * 7/2016
TR 648381-0001 * 9/2012

(Continued)

OTHER PUBLICATIONS

Louis Vuitton Monogram Bosphore Backpack, available at fashionphile.com, earliest date available 2006 [online], site visited Dec. 9, 2021, available from the internet URL: <https://www.fashionphile.com/p/louis-vuitton-monogram-bosphore-backpack-878089?> (Year: 2006).*

(Continued)

Primary Examiner — Messina L Smith

Assistant Examiner — Jillian Mazzola

(74) *Attorney, Agent, or Firm* — Fross, Zelnick, Lehrman & Zissu PC; Charles T. J. Weigell, Esq.

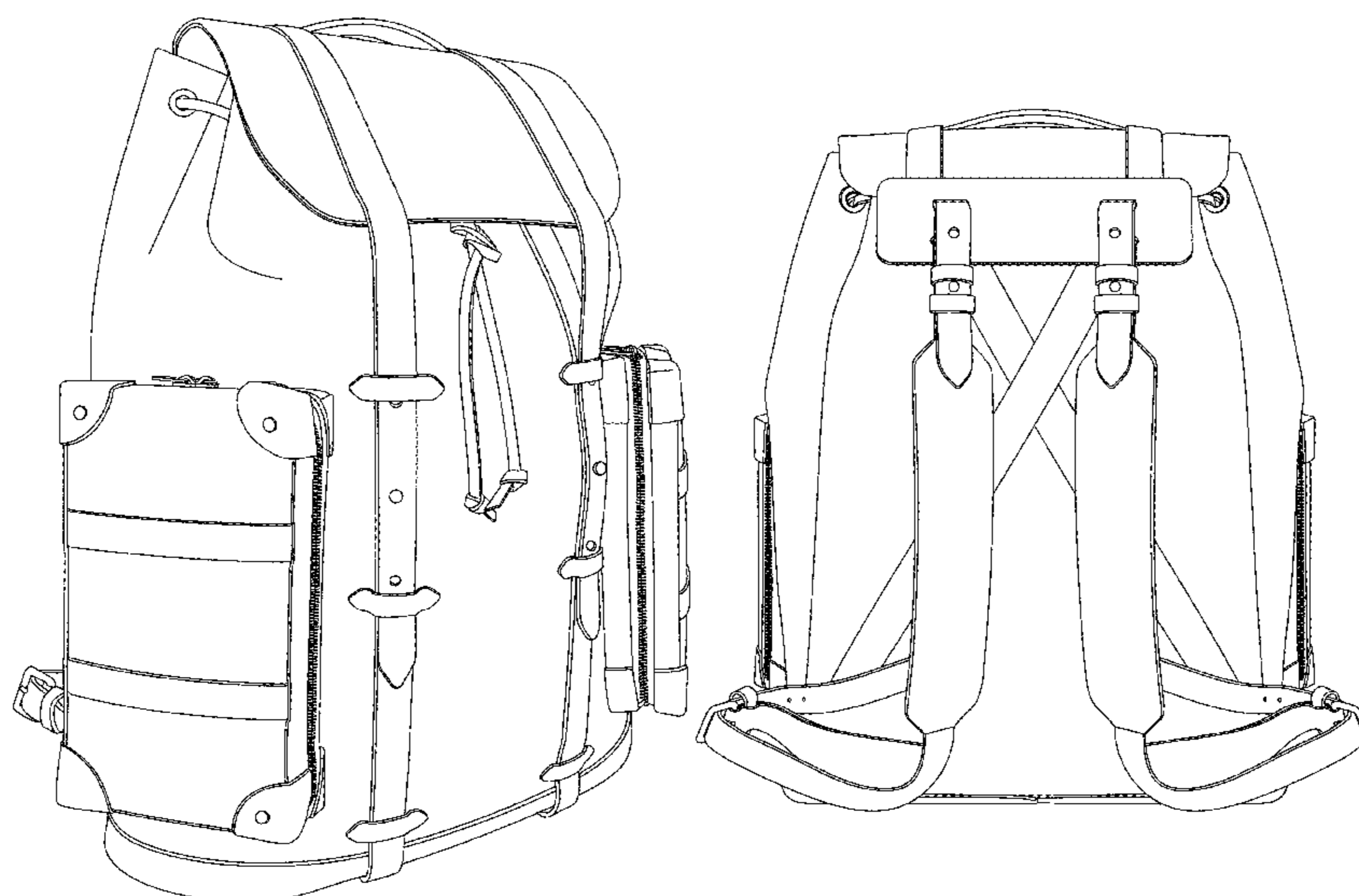
(57) **CLAIM**

The ornamental design for a backpack, as shown and described.

DESCRIPTION

FIG. 1 is a front-right perspective view of a backpack showing my new design;
FIG. 2 is a front perspective view thereof;
FIG. 3 is a back perspective view thereof;
FIG. 4 is a left side perspective view thereof;
FIG. 5 is a right side perspective view thereof;
FIG. 6 is a top perspective view thereof; and,
FIG. 7 is a bottom perspective view thereof.

1 Claim, 7 Drawing Sheets



(56)

References Cited

U.S. PATENT DOCUMENTS

D704,437	S	*	5/2014	Di Meglio	D3/244
D746,049	S	*	12/2015	Zwetzig	D3/217
D785,323	S	*	5/2017	Maier	D3/243
D787,816	S	*	5/2017	Slimane	D3/217
D794,947	S	*	8/2017	Gavriel	D3/217
D809,783	S	*	2/2018	Votel	D3/215
D833,141	S	*	11/2018	Carter	D3/217
D856,662	S	*	8/2019	Breines	D3/217
D873,558	S	*	1/2020	Jamieson	D3/217
D880,952	S	*	4/2020	Mitchell	D7/607
D888,413	S	*	6/2020	Dai	D3/217
D898,349	S	*	10/2020	He	D3/217
D905,957	S	*	12/2020	Maier	D3/217
2014/0151424	A1	*	6/2014	Hexels	A45F 3/06 224/637
2017/0325574	A1	*	11/2017	Merzon	A45F 3/047

FOREIGN PATENT DOCUMENTS

TR	650823-0001	*	2/2013
WO	WOD068496-007	*	7/2007
WO	WOD216674-001	*	10/2021

OTHER PUBLICATIONS

Louis Vuitton X NIGO Christopher PM Backpack, available at fashionphile.com, earliest date available 2020 [online], site visited Dec. 9, 2021, available from the internet URL: <https://www.fashionphile.com/p/louis-vuitton-x-nigo-giant-damier-ebene-monogram-christopher-pm-backpack-835300?> (Year: 2020).*

Louis Vuitton Virgil Abloh Christopher Backpack, available at ebay.com, earliest date available 2019 [online], site visited Dec. 9, 2021, available from the internet URL: <https://www.ebay.com/itm/224630993895?chn=ps&mkevt=1&mkcid=28> (Year: 2019).*

Yukon Leather Backpack, available at yukonbags.com, earliest customer review date Mar. 21, 2019 [online], site visited Dec. 9, 2021, available from the internet URL: <https://yukonbags.com/products/yukon-crazy-horse-leather-backpack?> (Year: 2019).*

Eddie Bauer Diaper Bag, available at target.com, earliest customer review date Dec. 2019 [online], site visited Dec. 9, 2021, available from the internet URL: <https://www.target.com/p/eddie-bauer-cascade-back-pack-diaper-bag/-/A-75570463> (Year: 2019).*

Rains Waterproof MSN Cargo Backpack, available at sportique.com, date not available [online], site visited Dec. 9, 2021, available from the internet URL: <https://www.sportique.com/products/rains-waterproof-msn-cargo-backpack?>.*

* cited by examiner

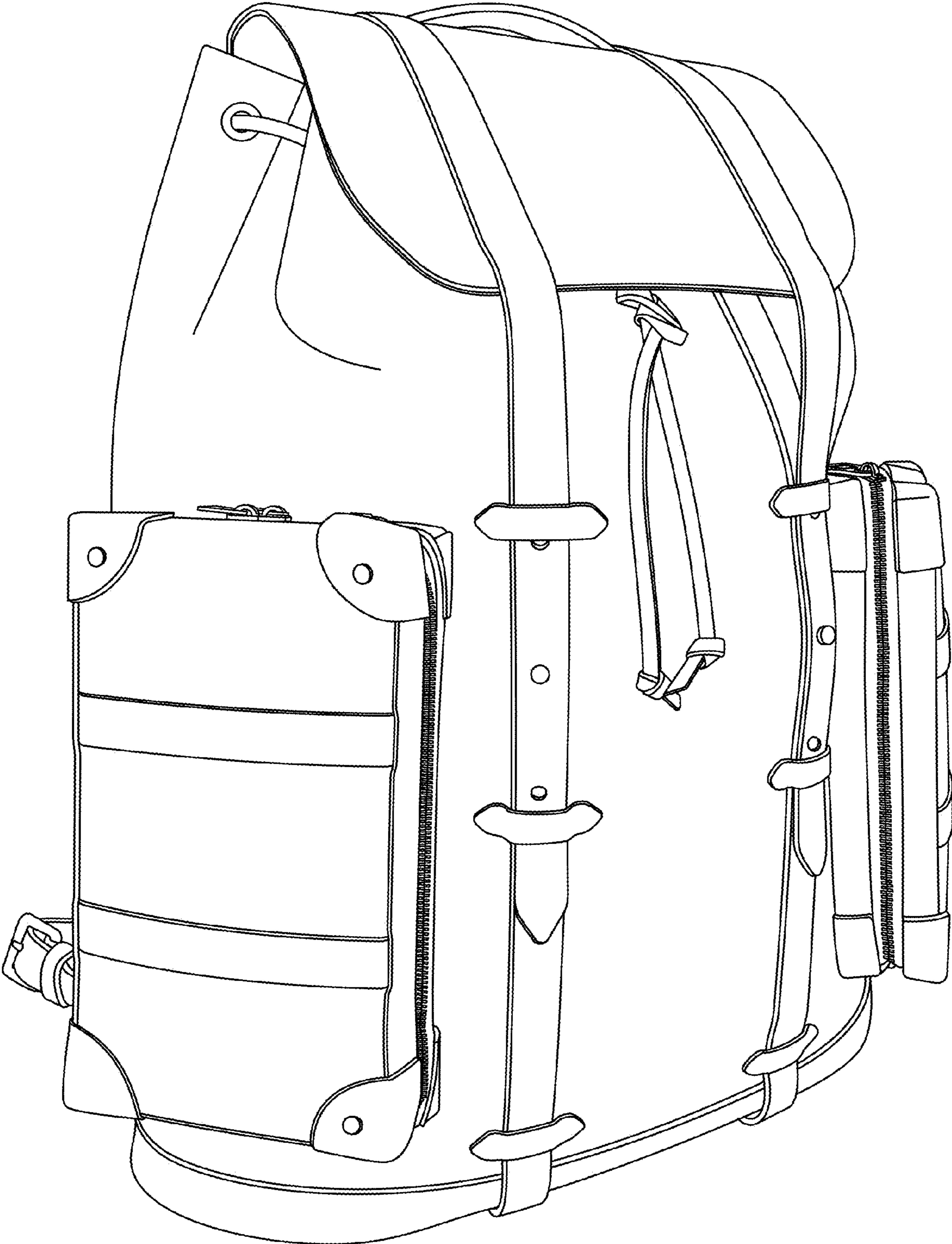


FIG. 1

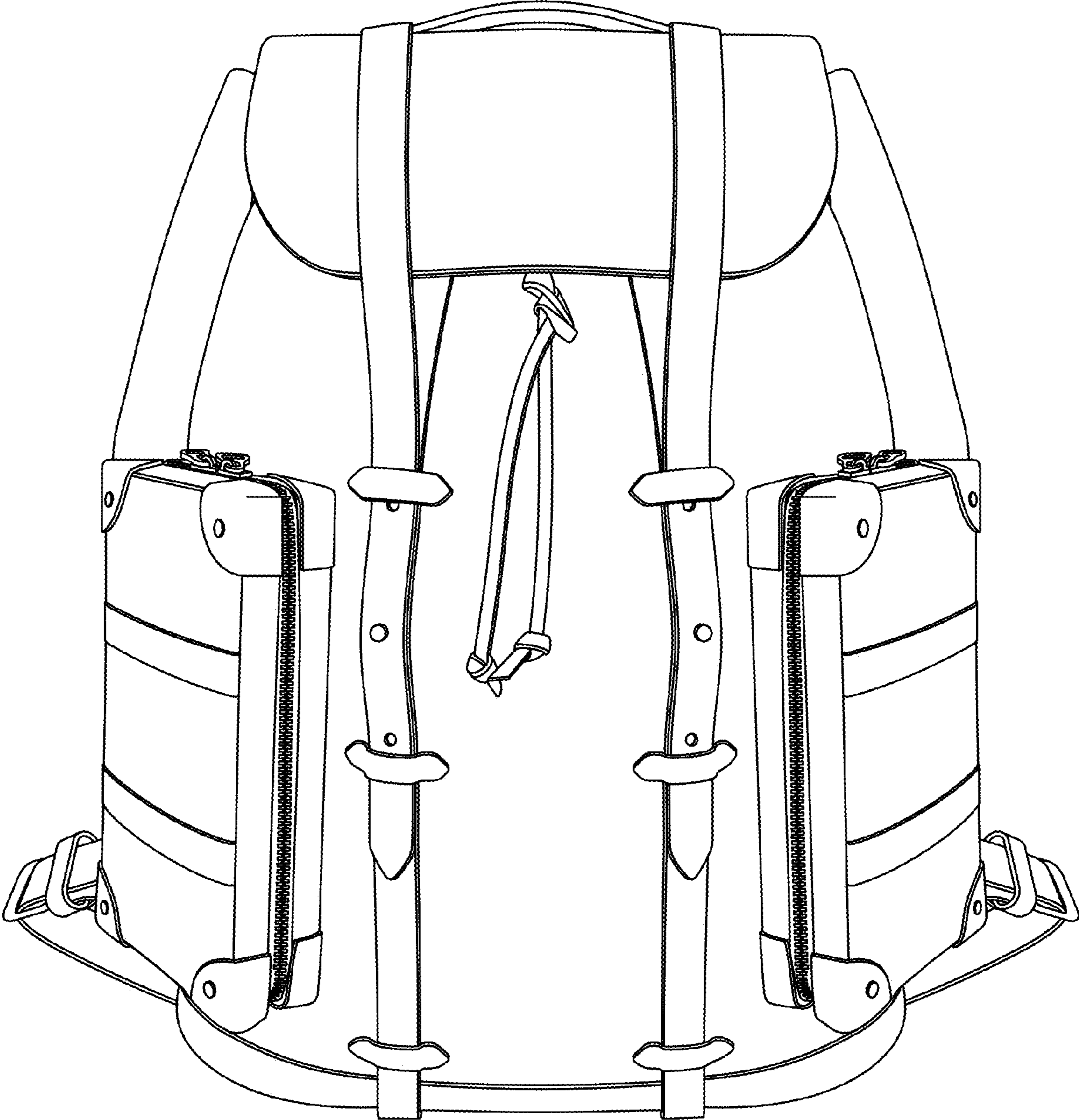


FIG. 2

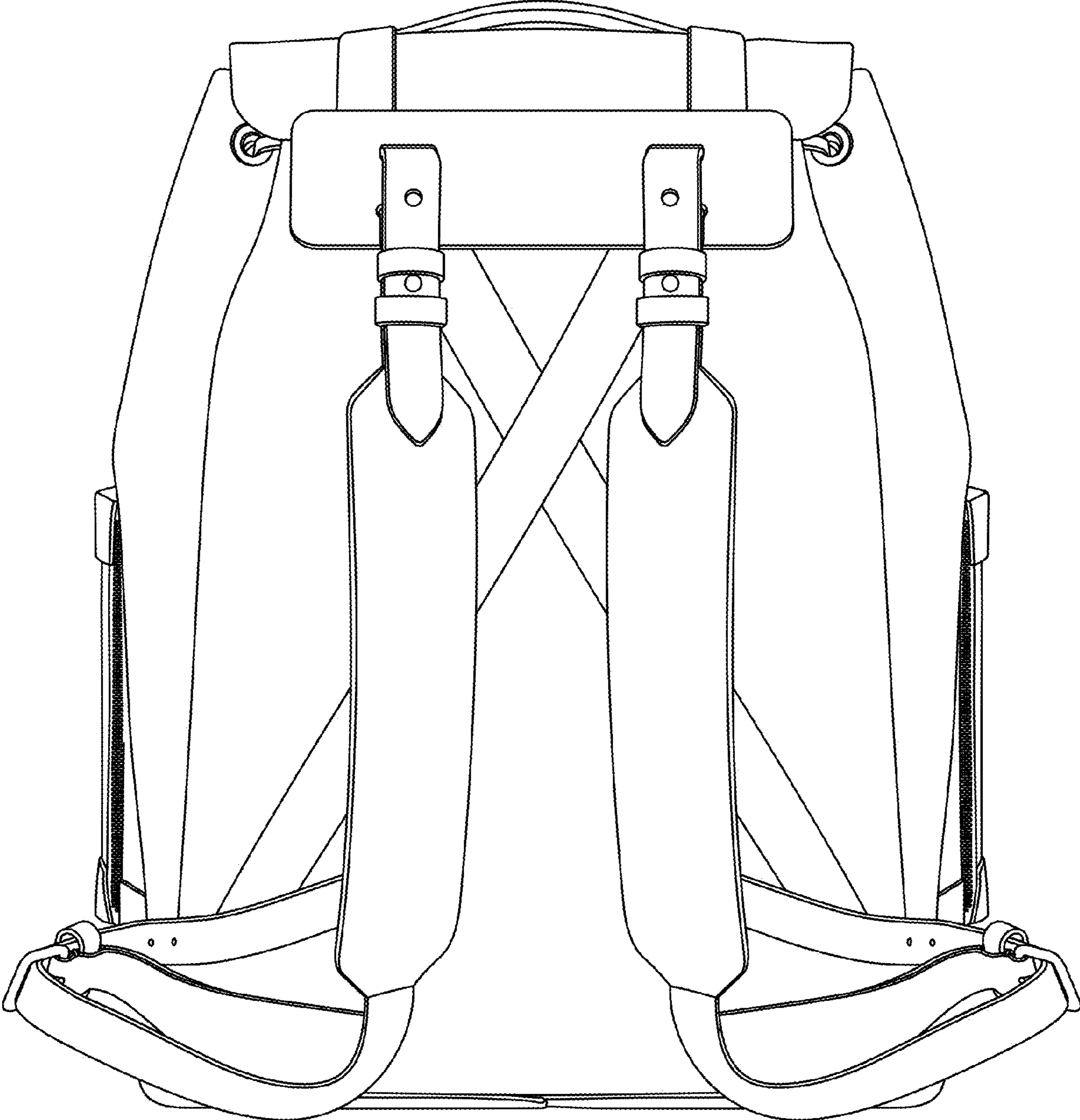


FIG. 3

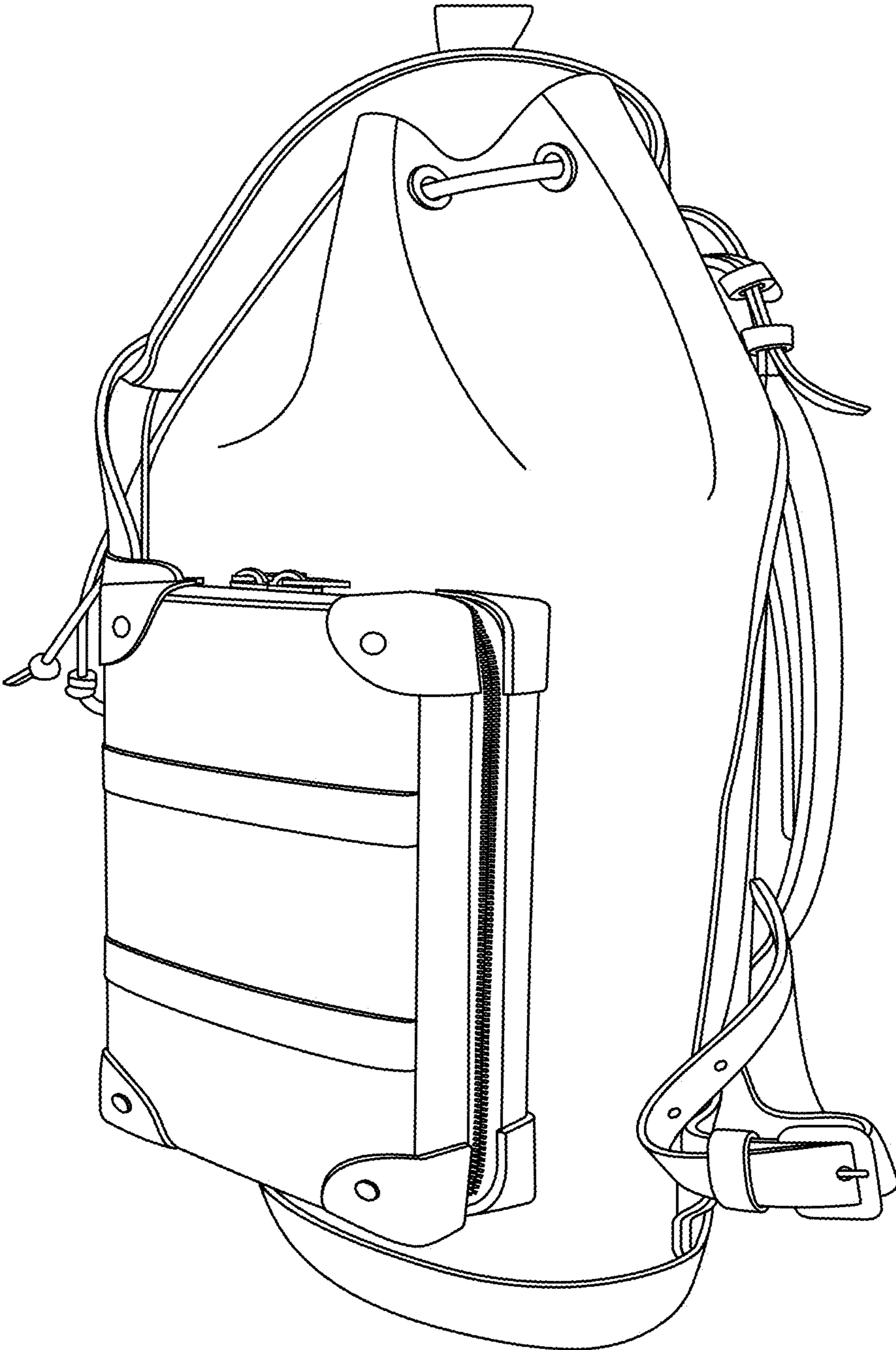


FIG. 4

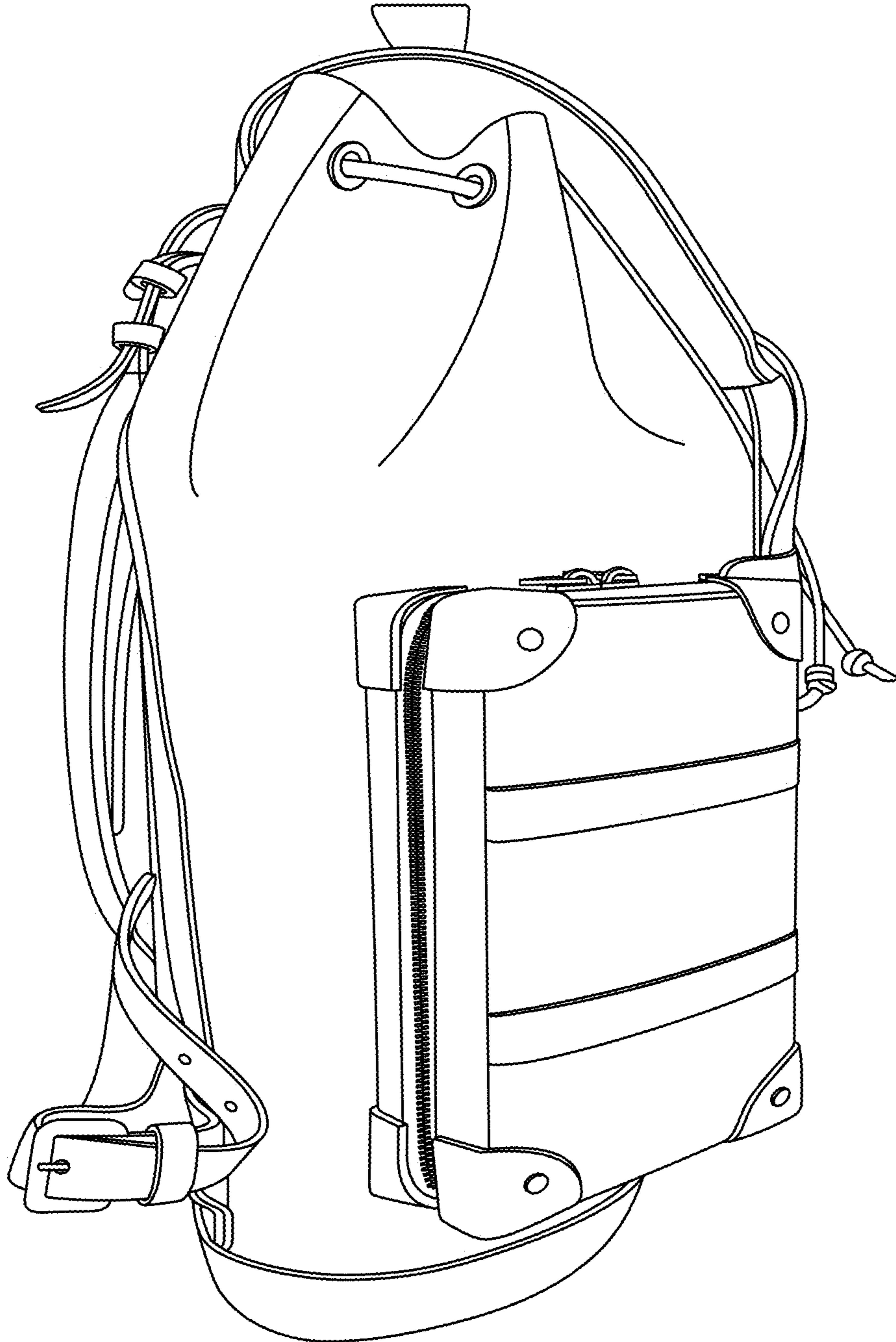


FIG. 5

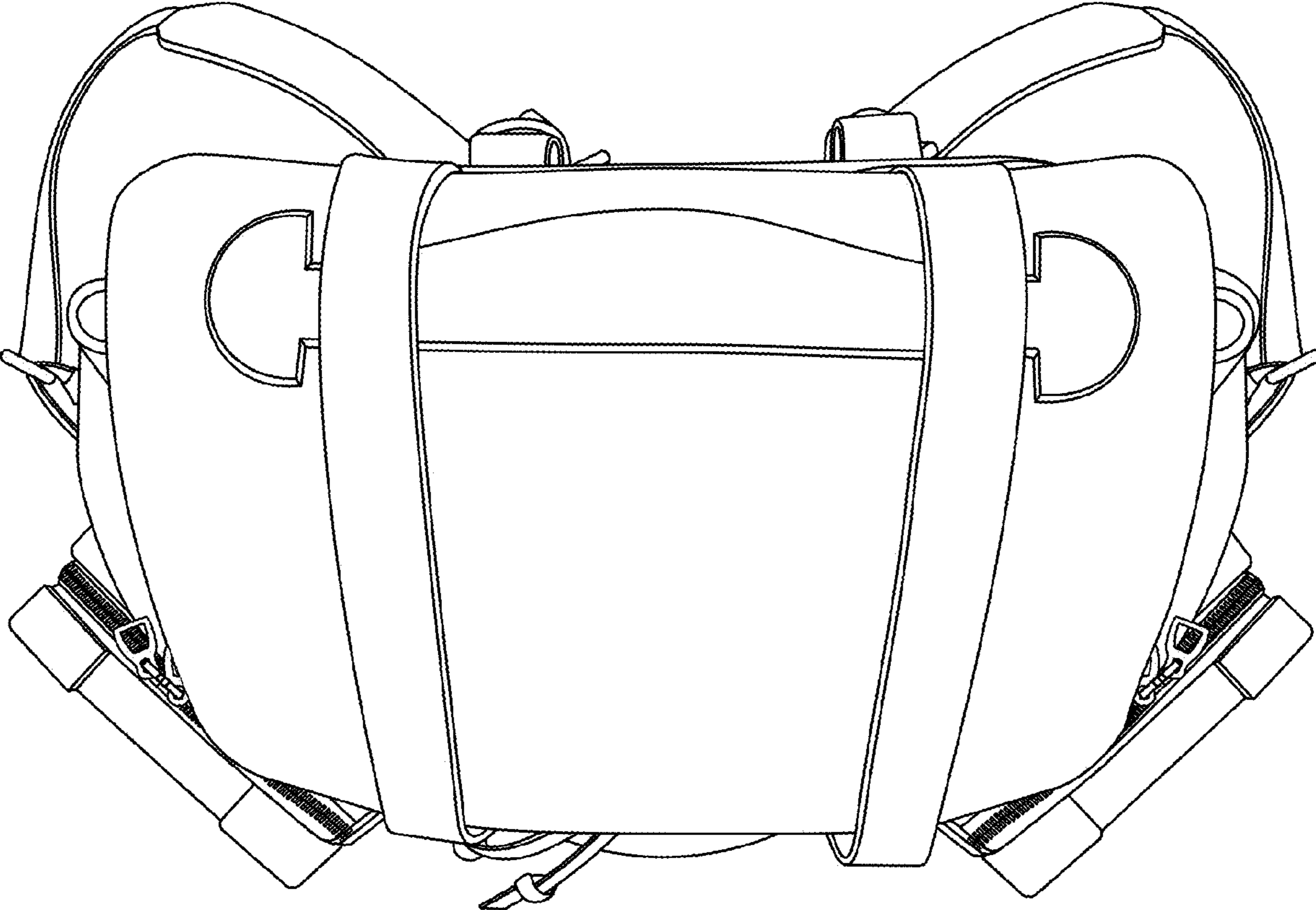


FIG. 6

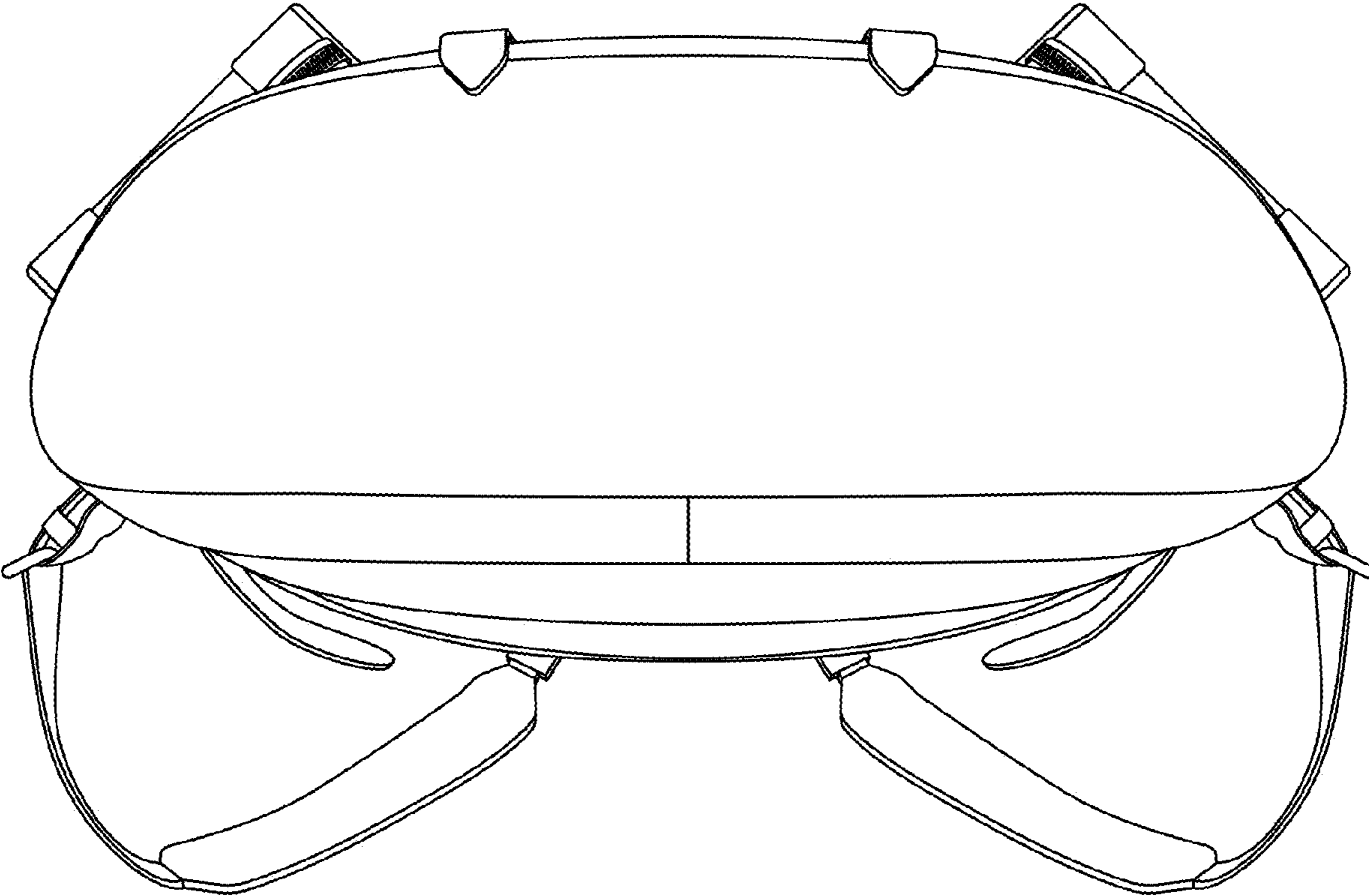


FIG. 7