



US00D977823S

(12) **United States Design Patent**
van Middendorp

(10) **Patent No.:** **US D977,823 S**

(45) **Date of Patent:** **** Feb. 14, 2023**

(54) **BAG**

(71) Applicant: **Invented Here B.V.**, Uift (NL)

(72) Inventor: **Christel van Middendorp**, Ede (NL)

(73) Assignee: **Invented Here B.V.**, Uift (NL)

(**) Term: **15 Years**

(21) Appl. No.: **29/759,816**

(22) Filed: **Nov. 25, 2020**

(30) **Foreign Application Priority Data**

May 28, 2020 (EM) 007973417-0002

(51) **LOC (14) Cl.** **03-01**

(52) **U.S. Cl.**
USPC **D3/216**

(58) **Field of Classification Search**
USPC D3/213-217, 221, 224-226, 231, 232,
D3/233, 242-244, 254, 255

CPC A45F 3/00; A45F 3/005; A45F 3/02; A45F
3/04; A45F 3/042; A45F 3/047; A45F
3/06; A45F 3/08; A45F 3/10; A45F
2003/001; A45F 2003/002; A45F
2003/003; A45F 2003/006; A45F
2003/007; A45F 2003/008; A45F
2003/025; A45F 2003/045; A45F
2200/00; A45F 2200/05; A45F
2200/0525; A45F 2200/0533

See application file for complete search history.

(56) **References Cited**

U.S. PATENT DOCUMENTS

340,339 A * 4/1886 Marshall A45F 3/04
224/582
2,407,787 A * 9/1946 Kernahan A45F 3/04
224/656
4,177,909 A * 12/1979 Haskell A45C 3/00
150/100
D272,428 S * 1/1984 Kelley 224/42.11

(Continued)

FOREIGN PATENT DOCUMENTS

CN 303973284 * 12/2016
CN 304022044 * 2/2017

(Continued)

OTHER PUBLICATIONS

Basil Discovery 365D Double, available at basil.com, date not available [online], site visited Dec. 9, 2021, Available from the internet URL: <https://www.basil.com/en/discovery-365d-double-bicycle-bag-black.html>.*

(Continued)

Primary Examiner — Messina L Smith

Assistant Examiner — Jillian Mazzola

(74) *Attorney, Agent, or Firm* — McAndrews, Held & Malloy, Ltd.

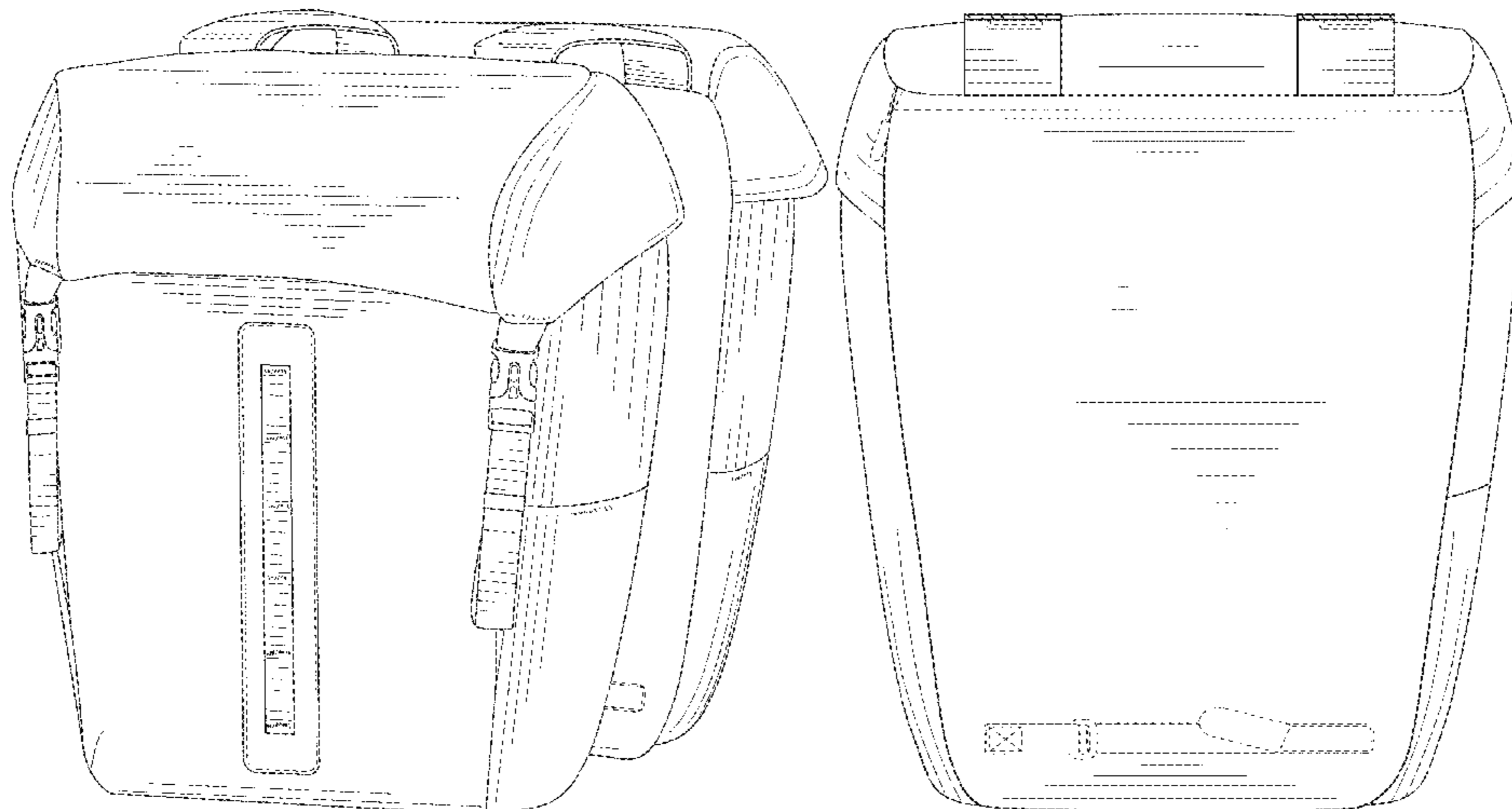
(57) **CLAIM**

The ornamental design for a bag, as shown and described.

DESCRIPTION

FIG. 1 is a front perspective view of a bag showing my new design;
FIG. 2 is a front view thereof;
FIG. 3 is a rear view thereof;
FIG. 4 is a right side elevation view thereof;
FIG. 5 is a left side elevation view thereof;
FIG. 6 is a cross sectional view of the bag taken in the direction of line 6-6 of FIG. 4;
FIG. 7 is a cross sectional view of the bag taken in the direction of line 7-7 of FIG. 5;
FIG. 8 is a bottom plan view of the bag of FIG. 1; and,
FIG. 9 is a top plan view of the bag of FIG. 1.
The dashed broken lines in the figures illustrate portions of the bag that form no part of the claimed design.

1 Claim, 9 Drawing Sheets



(56)

References Cited

U.S. PATENT DOCUMENTS

D291,262 S * 8/1987 Colby D29/101.1
 D292,847 S * 11/1987 Barker D3/231
 D404,910 S * 2/1999 Schober D3/216
 5,890,639 A * 4/1999 Hancock B62J 9/20
 224/429
 D414,332 S * 9/1999 Brechard D3/231
 D418,972 S * 1/2000 Gold D3/216
 D421,524 S * 3/2000 Kerin D3/231
 D499,882 S * 12/2004 Baclawski D3/216
 D544,708 S * 6/2007 Barker D3/216
 D578,304 S * 10/2008 Gonzalez D3/243
 D591,039 S * 4/2009 Wung D3/203.1
 D605,849 S * 12/2009 Mori D3/217
 D607,638 S * 1/2010 Hensley D3/231
 D647,296 S * 10/2011 Hitchcock D3/226
 D673,363 S * 1/2013 Crandall D3/217
 D685,988 S * 7/2013 Shepherd D3/216
 D706,535 S * 6/2014 Noer D3/231
 D708,436 S * 7/2014 Cariglio D3/224
 D714,046 S * 9/2014 Sagan D3/216
 D715,542 S * 10/2014 Green D3/233
 D746,049 S * 12/2015 Zwetzig D3/217
 D774,297 S * 12/2016 Workman D3/214
 D775,463 S * 1/2017 Shieh D3/215
 D811,738 S * 3/2018 Dumas D3/243
 D828,112 S * 9/2018 Furneaux D7/607
 D828,728 S * 9/2018 Jacobsen D7/607
 D840,194 S * 2/2019 Furneaux D7/607
 D851,392 S * 6/2019 Kao D3/217
 D853,715 S * 7/2019 Berger D3/231
 D858,977 S * 9/2019 Owens D3/217
 10,611,017 B1 * 4/2020 Panosian A45C 5/06
 D885,752 S * 6/2020 Dumas D3/217
 D887,128 S * 6/2020 Novak D3/217
 D890,516 S * 7/2020 Jacobsen D3/217
 D899,079 S * 10/2020 Priest D3/217
 D922,828 S * 6/2021 Munie D7/607
 D927,262 S * 8/2021 Munie D7/607
 D935,169 S * 11/2021 Forsman D3/217
 D937,567 S * 12/2021 Eisenhardt D3/217
 2005/0274764 A1 * 12/2005 Fischel A45C 9/00
 224/609
 2010/0147918 A1 * 6/2010 Hensley B62J 9/26
 224/600

2017/0022640 A1 * 1/2017 Schenk D04B 21/20
 2018/0042351 A1 * 2/2018 Dalton A45C 7/0086
 2018/0092454 A1 * 4/2018 Toyras A45F 3/04

FOREIGN PATENT DOCUMENTS

CN 304521680 * 3/2018
 CN 306545695 * 5/2021
 GB 6018498 * 9/2017

OTHER PUBLICATIONS

Basil Discovery 365D Double, available at rosebikes.ie, earliest customer review date Nov. 23, 2020 [online], site visited Dec. 9, 2021, Available from the internet URL: <https://www.rosebikes.ie/basil-discovery-365d-double-bag-m-panniers-2685478> (Year: 2020).*

Basil Post 1, available at facebook.com, posted Jun. 30, 2020 [online], site visited Dec. 9, 2021, Available from the internet URL: <https://www.facebook.com/Basil.Company/photos/a.3189689887757308/3189692224423741> (Year: 2020).*

Basil Post 2, available at facebook.com, posted Jun. 30, 2020 [online], site visited Dec. 9, 2021, Available from the internet URL: <https://www.facebook.com/Basil.Company/photos/a.3189689887757308/3189692221090408> (Year: 2020).*

Basil Post 3, available at facebook.com, posted Jun. 30, 2020 [online], site visited Dec. 9, 2021, Available from the internet URL: <https://www.facebook.com/Basil.Company/photos/a.3189689887757308/3189699207756376> (Year: 2020).*

Basil Post 4, available at facebook.com, posted Jun. 30, 2020 [online], site visited Dec. 9, 2021, Available from the internet URL: <https://www.facebook.com/Basil.Company/photos/a.3189689887757308/318969264423037> (Year: 2020).*

Elops Pannier Bags, available at decathlon.com, earliest customer review date Jul. 5, 2020 [online], site visited Dec. 9, 2021, Available from the internet URL: <https://www.decathlon.com/products/bike-pannier-bags-waterproof-2-x-20-l-540?variant=8117232762991> (Year: 2020).*

Bontrager Town Double Pannier, available at bike-rack.com, date not available [online], site visited Dec. 9, 2021, Available from the internet URL: <https://www.bike-rack.com/product/bontrager-town-double-pannier-395206-1.htm?>.*

* cited by examiner

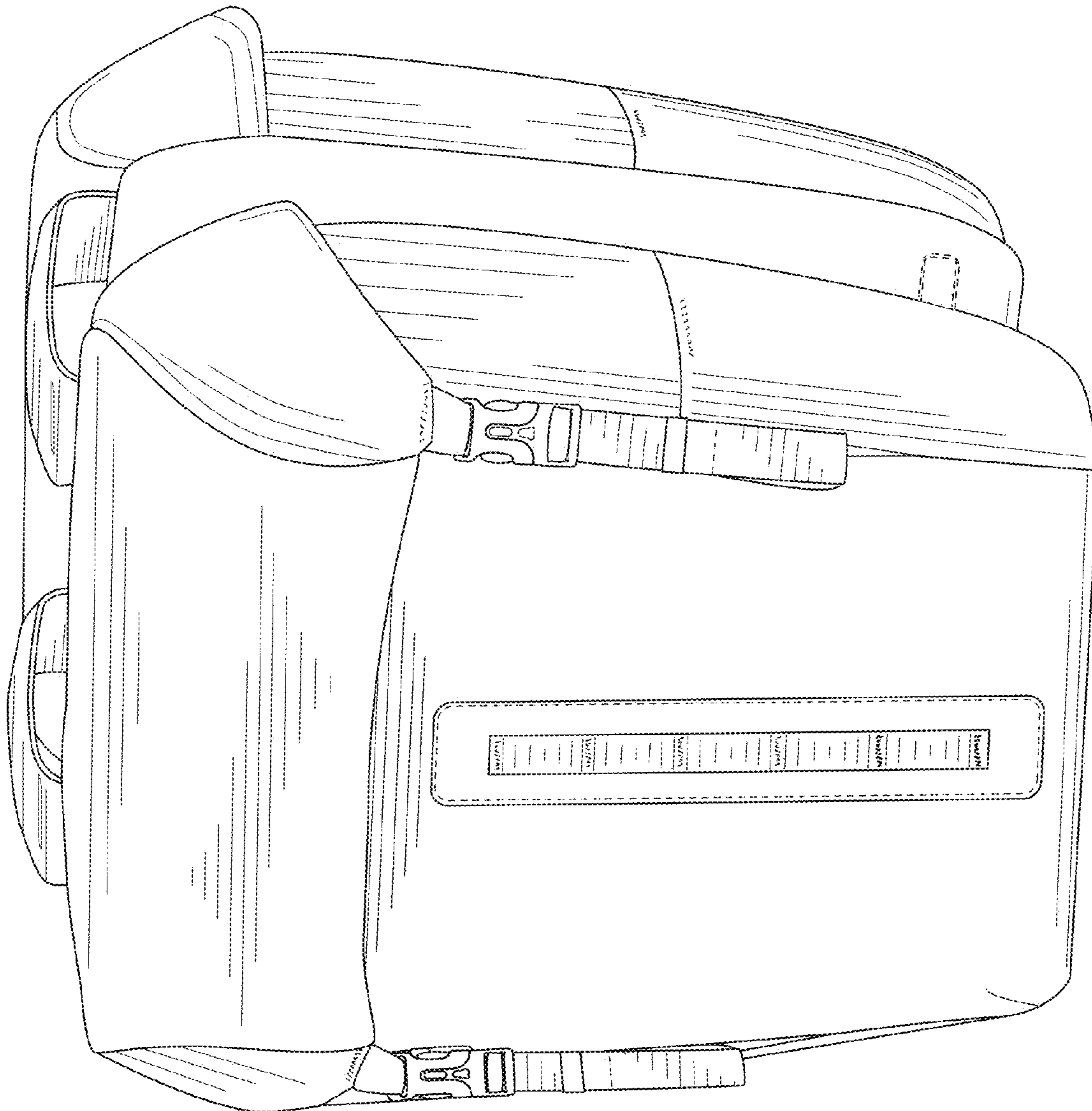


FIG. 1

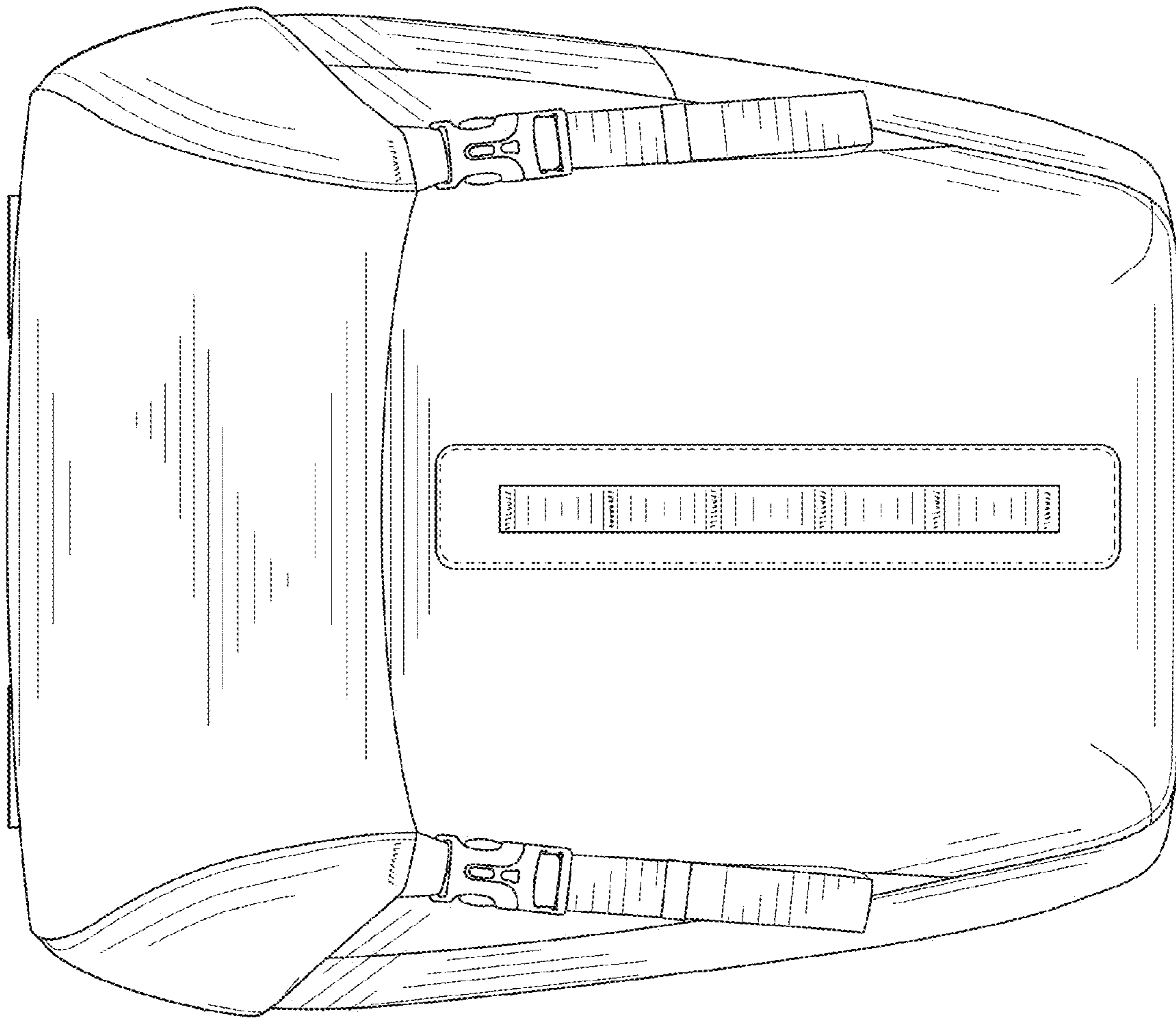


FIG. 2

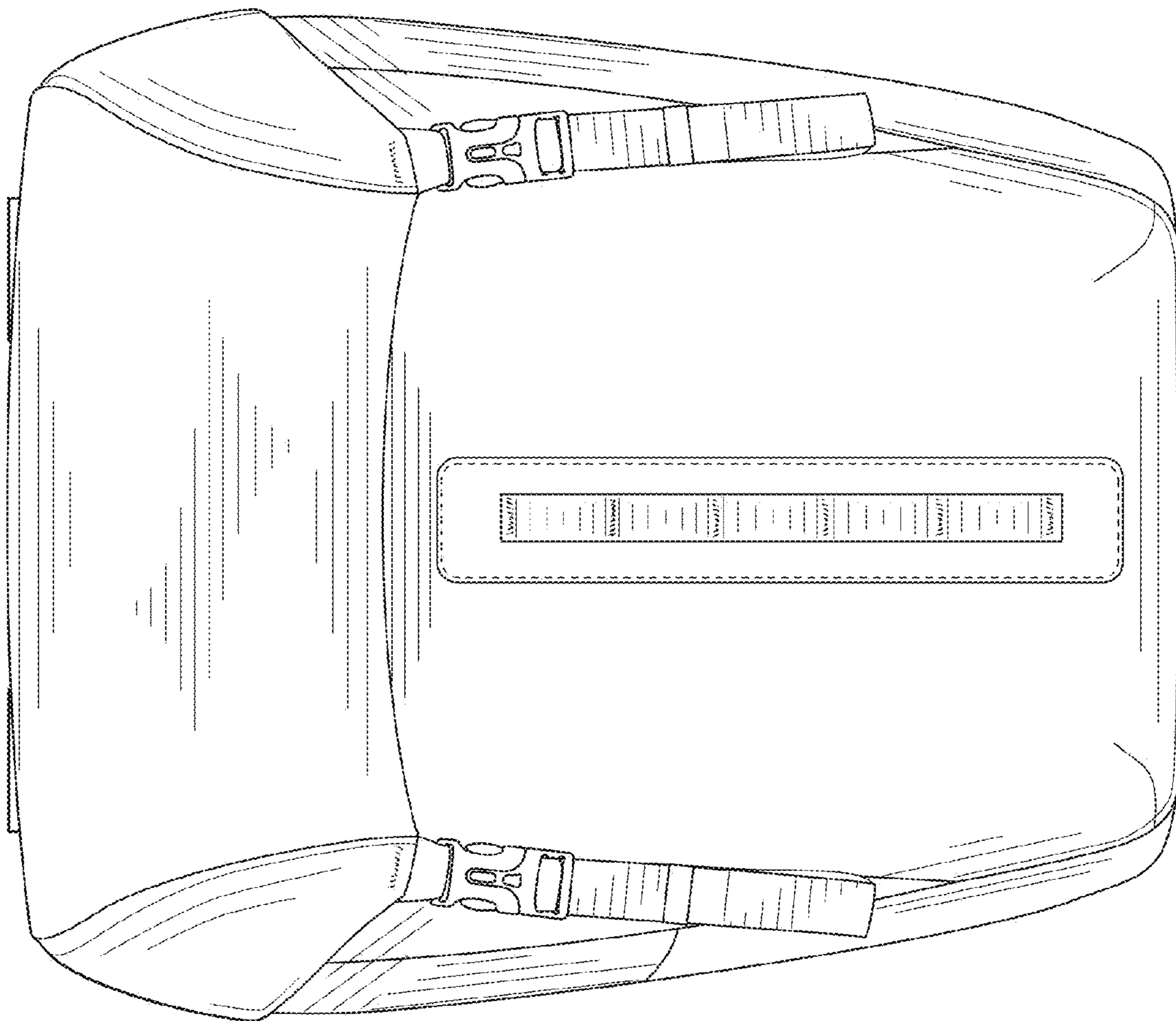


FIG. 3

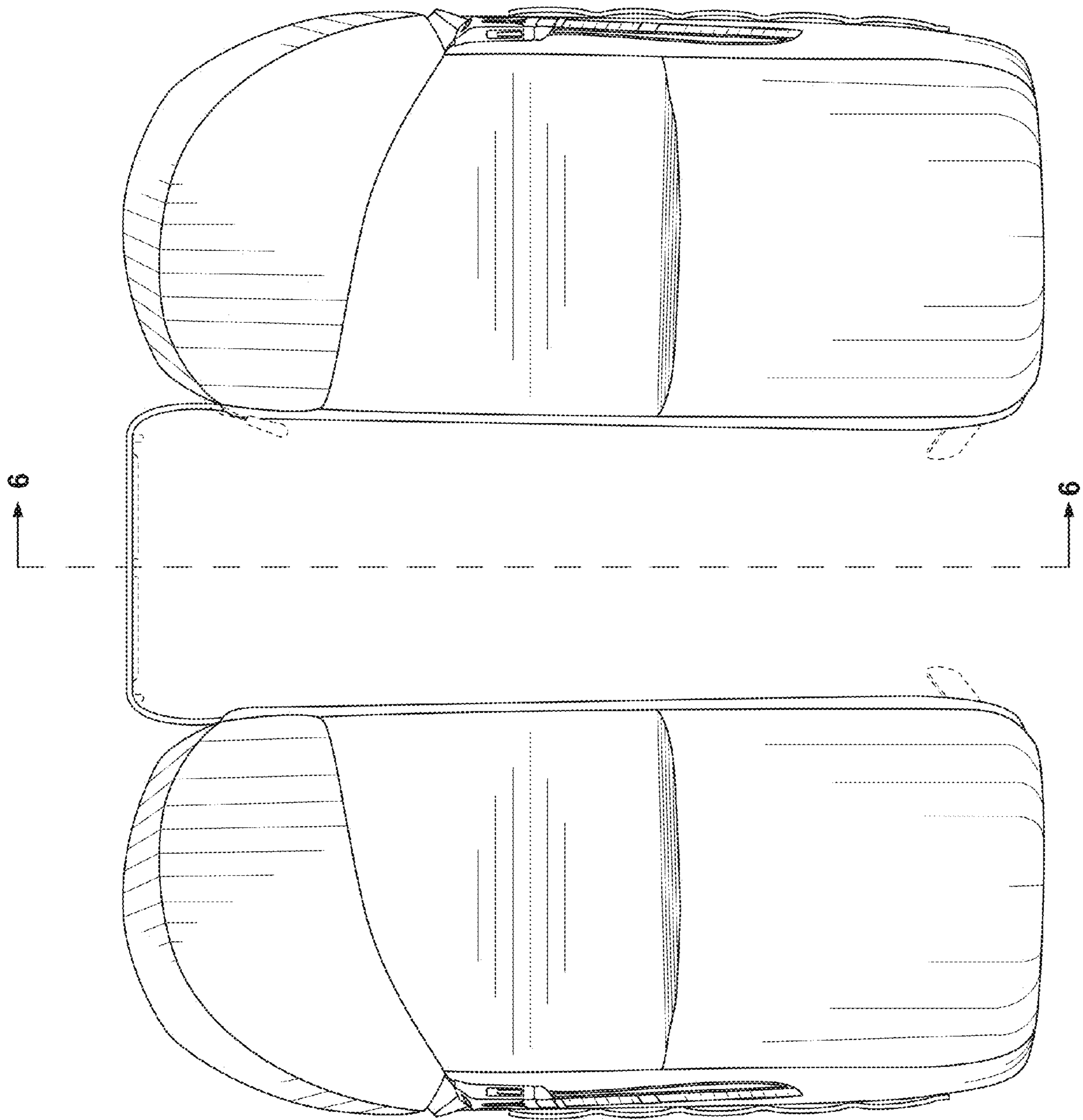


FIG. 4

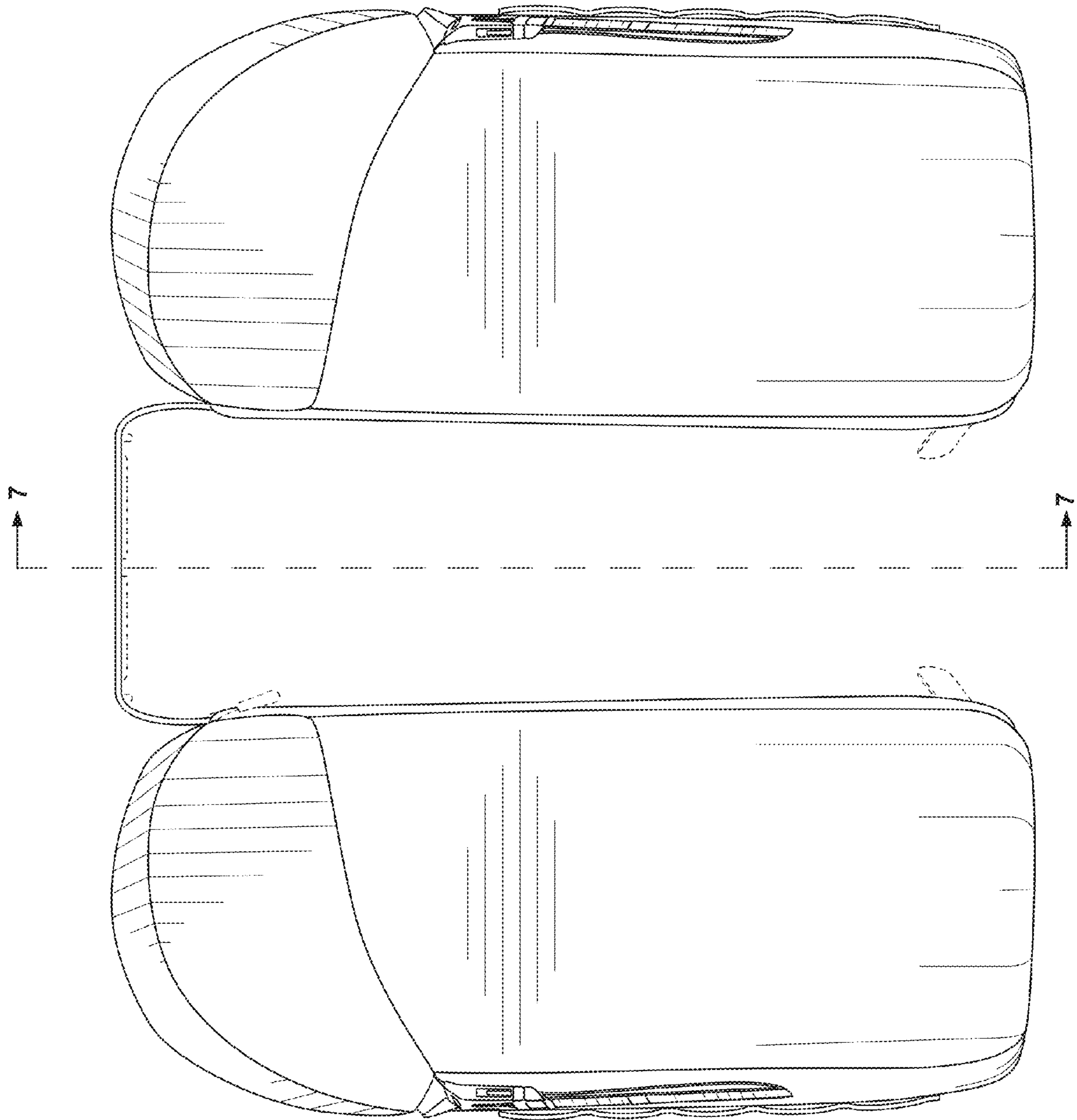


FIG. 5

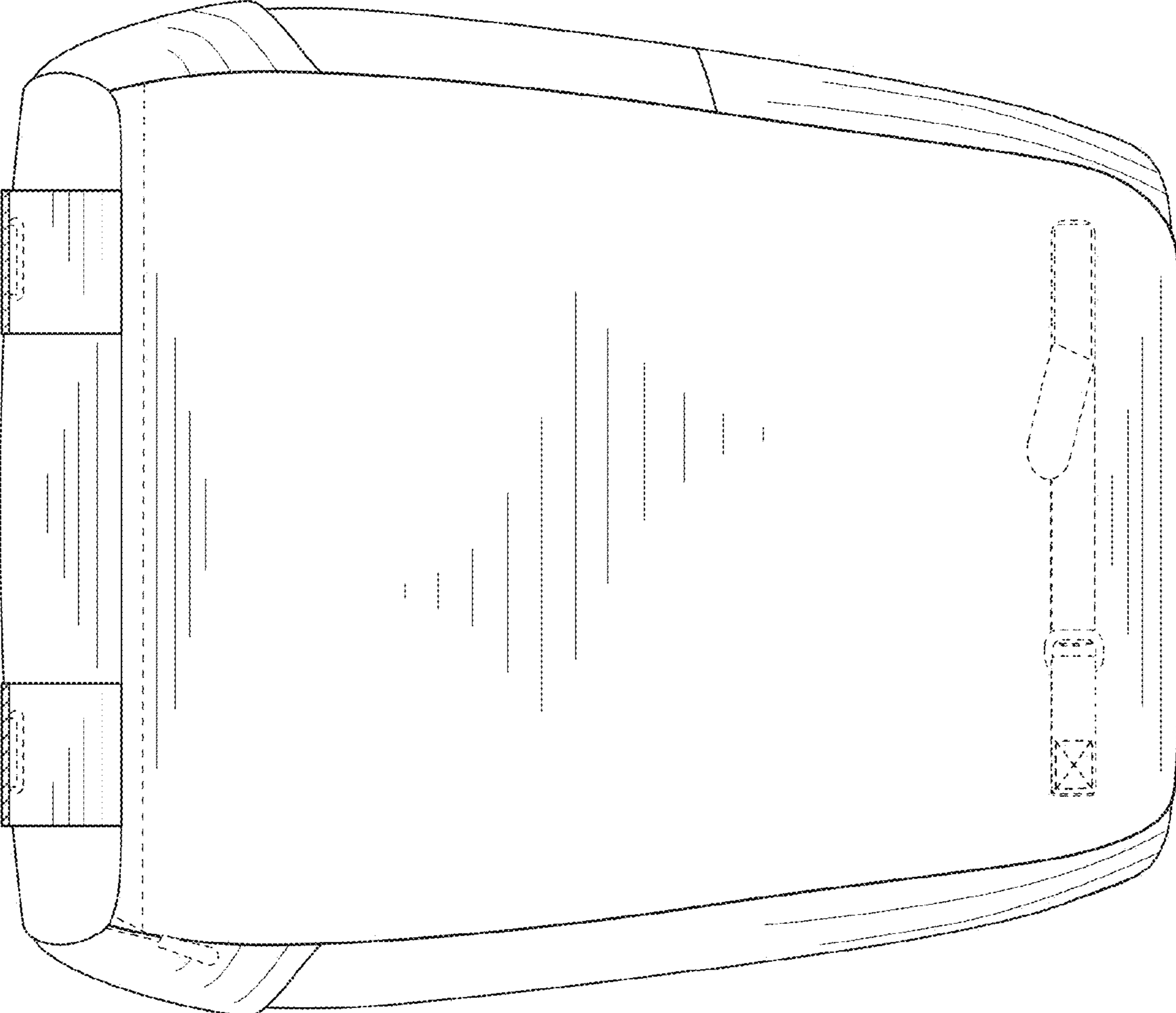


FIG. 6

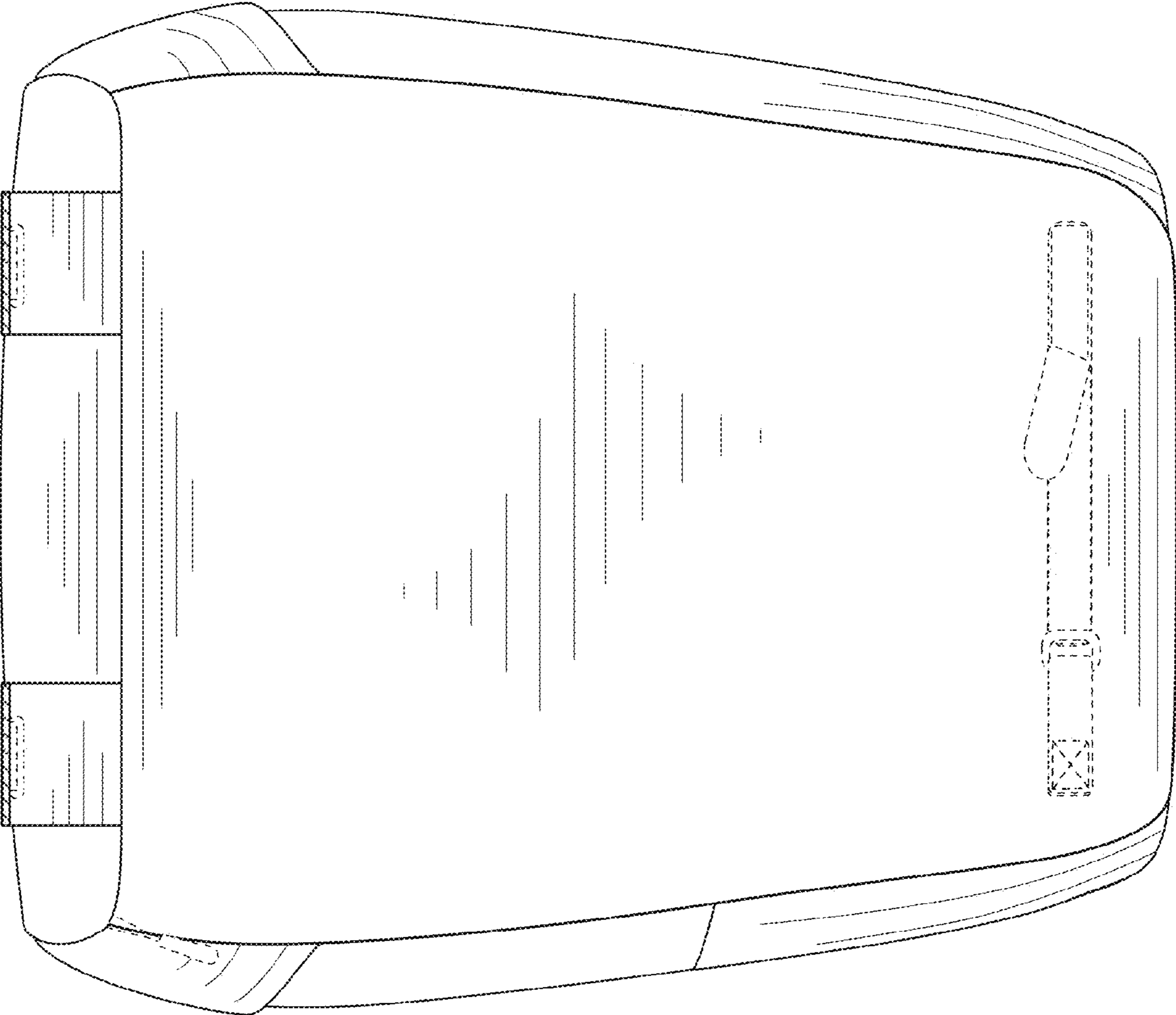


FIG. 7

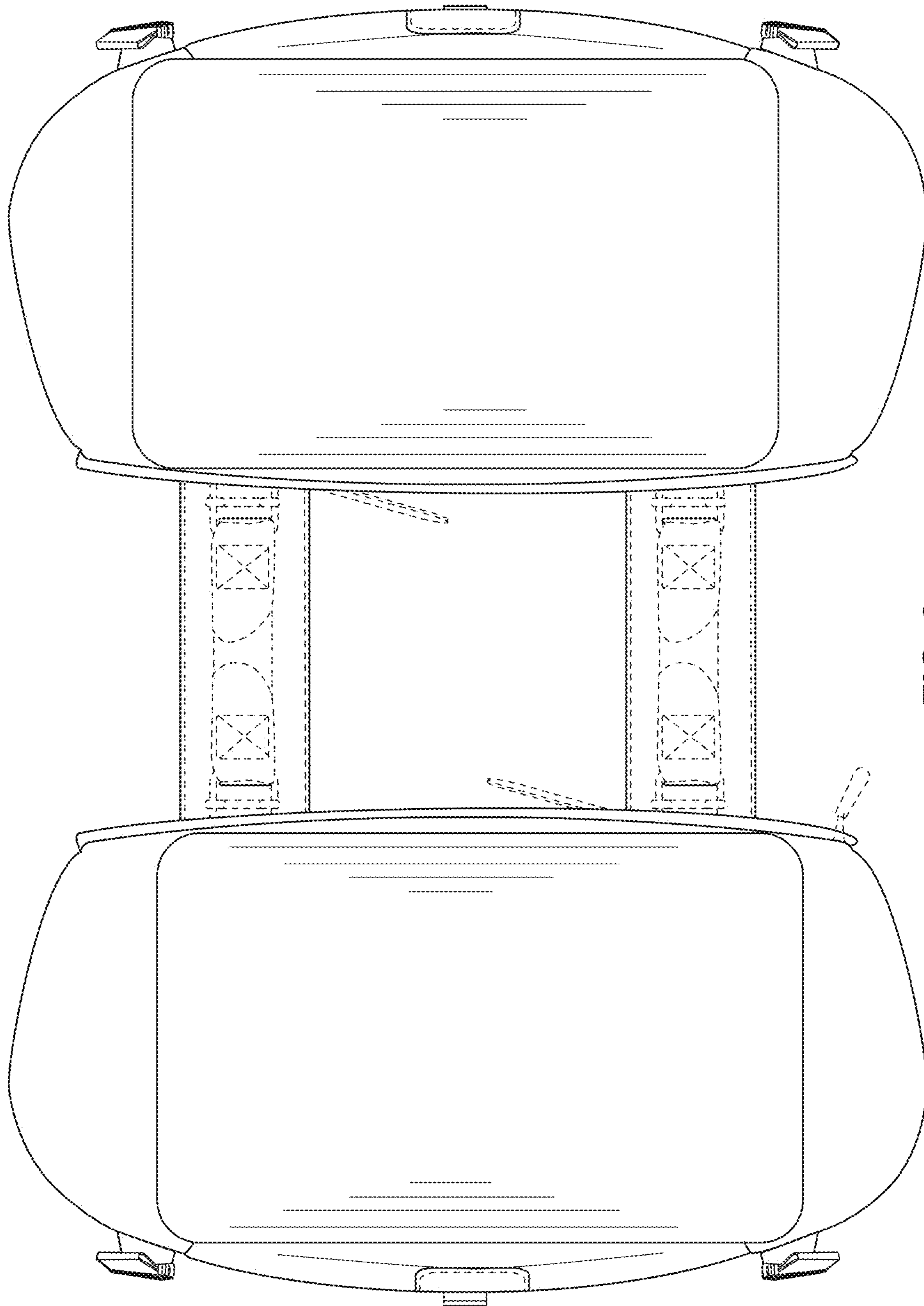


FIG. 8

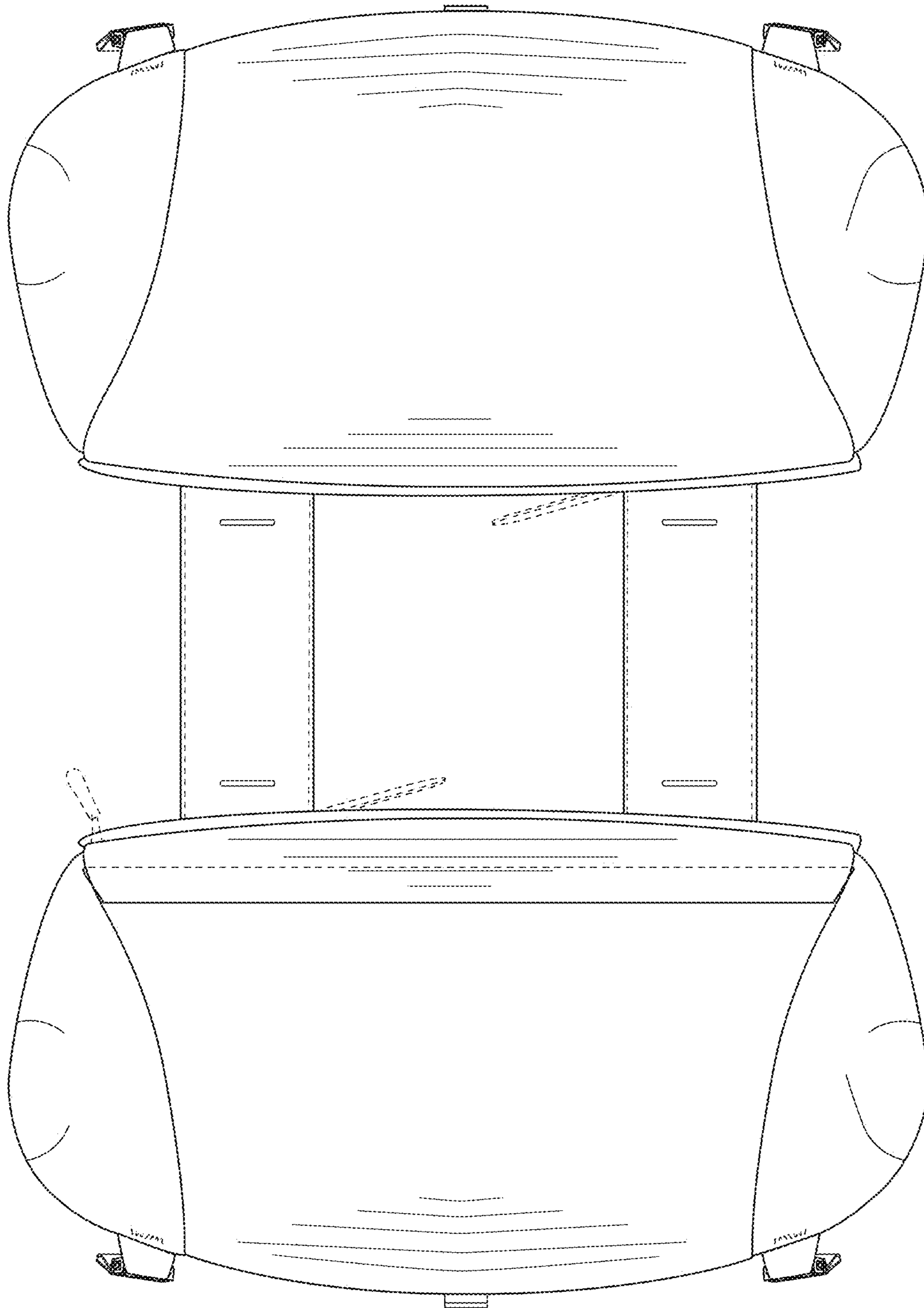


FIG. 9