



US00D977822S

(12) **United States Design Patent** (10) **Patent No.:** **US D977,822 S**
Patterson et al. (45) **Date of Patent:** **** Feb. 14, 2023**

(54) **WOODEN TEXTURED KEY FOB**

FOREIGN PATENT DOCUMENTS

(71) Applicants: **Kyle Ryan Patterson**, San Jose, CA (US); **Emma Simone Escamilla**, San Jose, CA (US)

CA 2505802 A1 10/2006
GB 6202493 * 4/2022

(72) Inventors: **Kyle Ryan Patterson**, San Jose, CA (US); **Emma Simone Escamilla**, San Jose, CA (US)

OTHER PUBLICATIONS

Brass Accents A03-K4018-605 Ravenna Door Knocker, first available Oct. 10, 2014, amazon.com [online], [site visited Nov. 25, 2022], Available at URL: <https://www.amazon.com/Accents-A03-K4018-605-Ravenna-Knocker-Polished/dp/B00OTXFWUC?th=1> (Year: 2014).*

(**) Term: **15 Years**

(Continued)

(21) Appl. No.: **29/867,591**

(22) Filed: **Oct. 29, 2022**

Primary Examiner — Michelle E. Wilson

Assistant Examiner — Caitlin A Lavery

(51) **LOC (14) Cl.** **03-01**

(74) *Attorney, Agent, or Firm* — Stephen E. Zweig

(52) **U.S. Cl.**

(57) **CLAIM**

USPC **D3/211**; D8/401

The ornamental design for a wooden textured key fob, as shown and described.

(58) **Field of Classification Search**

USPC D3/207–212; D8/400–401

CPC G10K 3/00; G08B 3/10

See application file for complete search history.

DESCRIPTION

(56) **References Cited**

U.S. PATENT DOCUMENTS

D151,441 S	10/1948	Frain, II	
D164,774 S *	10/1951	Hitchcock	D8/401
D170,724 S	10/1953	Stahl	
2,747,538 A *	5/1956	Morse, Jr.	G10K 3/00 D8/401
D202,877 S	11/1965	Morse et al.	
D211,451 S	6/1968	Paulich	
D214,774 S	7/1969	Kunkel	
D226,550 S *	3/1973	Morse	D8/401
D236,795 S	9/1975	Paulich	
D253,749 S *	12/1979	Paulich	D8/401
D256,093 S	7/1980	Kupperman et al.	
D264,304 S	5/1982	Kupperman et al.	
D392,183 S *	3/1998	Burris	D8/401
D403,238 S *	12/1998	Burris	D8/401
D720,062 S	12/2014	Guojie	

FIG. 1 is a top perspective view of the wooden textured key fob according to the present invention.

FIG. 2 is a front elevational view of the wooden textured key fob of FIG. 1.

FIG. 3 is a back elevational view of the wooden textured key fob of FIG. 1.

FIG. 4 is a right-side elevational view of the wooden textured key fob of FIG. 1.

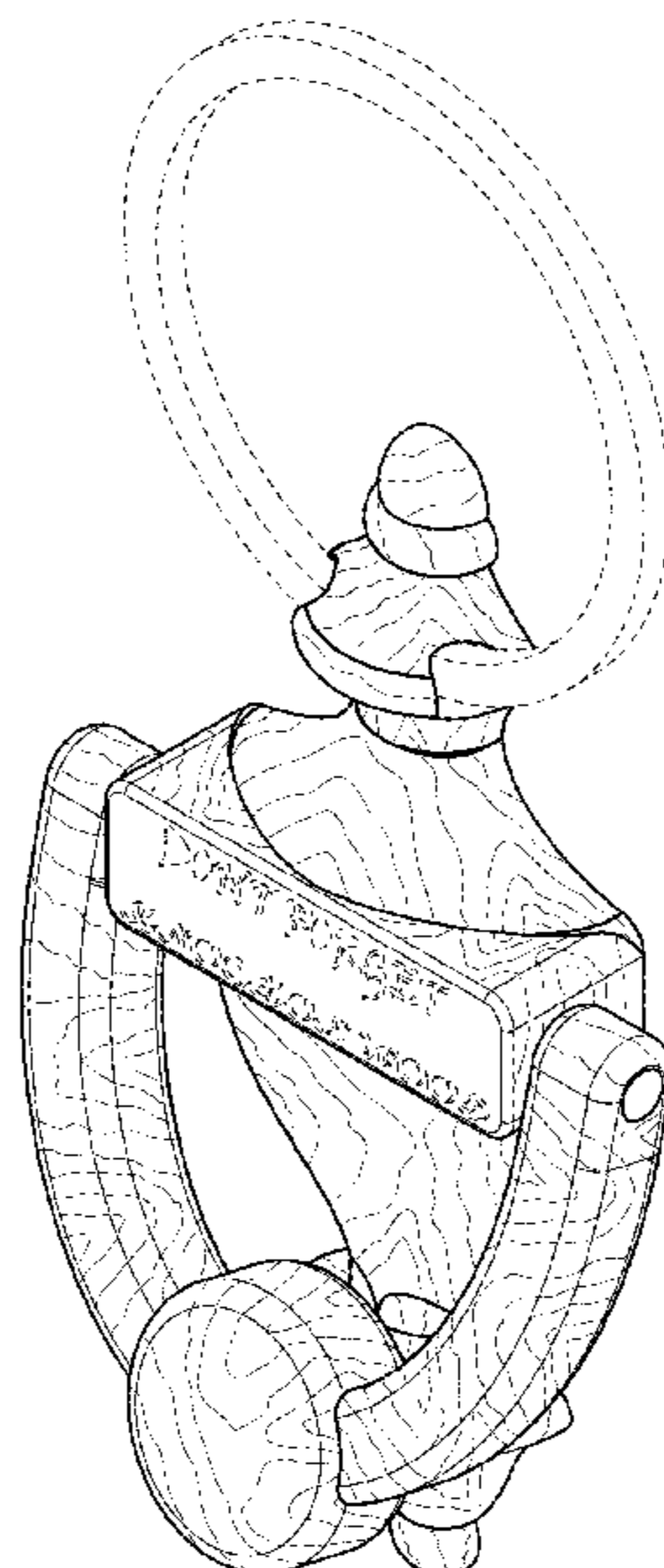
FIG. 5 is a left-side elevational view of the wooden textured key fob of FIG. 1.

FIG. 6 is a top plan view of the wooden textured key fob of FIG. 1; and,

FIG. 7 is a bottom plan view of the wooden textured key fob of FIG. 1.

The dashed lines in the figures are for environmental purposes only, and form no part of the claimed design.

1 Claim, 7 Drawing Sheets



(56)

References Cited

OTHER PUBLICATIONS

QCAA Solid Brass Door Knocker, first available Apr. 17, 2020, amazon.com [online], [site visited Nov. 25, 2022], Available at URL: <https://www.amazon.com/QCAA-Solid-Brass-Knocker-Polished/dp/B0876VCP5J/?th=1> (Year: 2020).*

Door Knocker 14K Gold Movable Charm, unknown first available date, charmco.com [online], [site visited Nov. 25, 2022], Available at URL: https://www.charmco.com/products/door-knocker-14k-gold-movable-charm.html?gclid=EAIaIQobChMI66rw1_2_-wIVTw1Ch03eAm0EAQYCiABEgKWyfD_BwE (Year: 2022).*

* cited by examiner

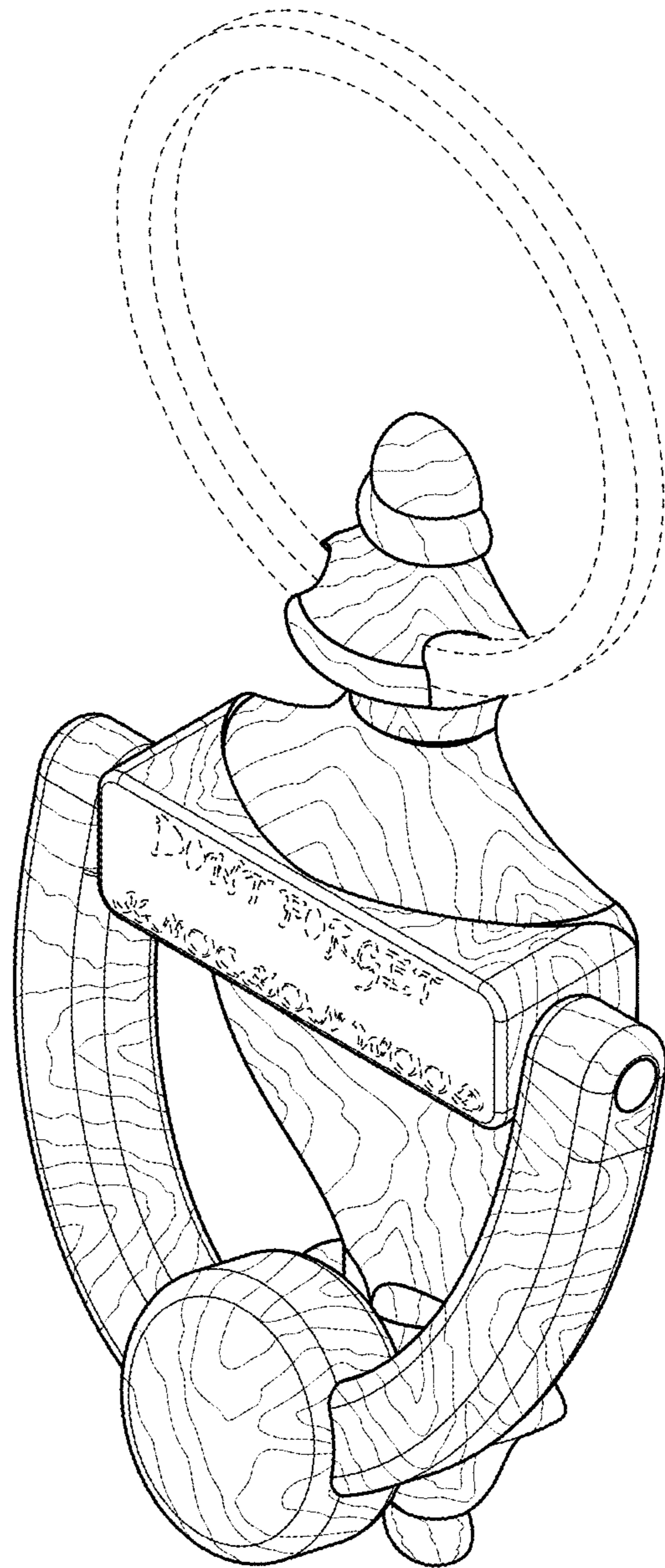


FIG. 1

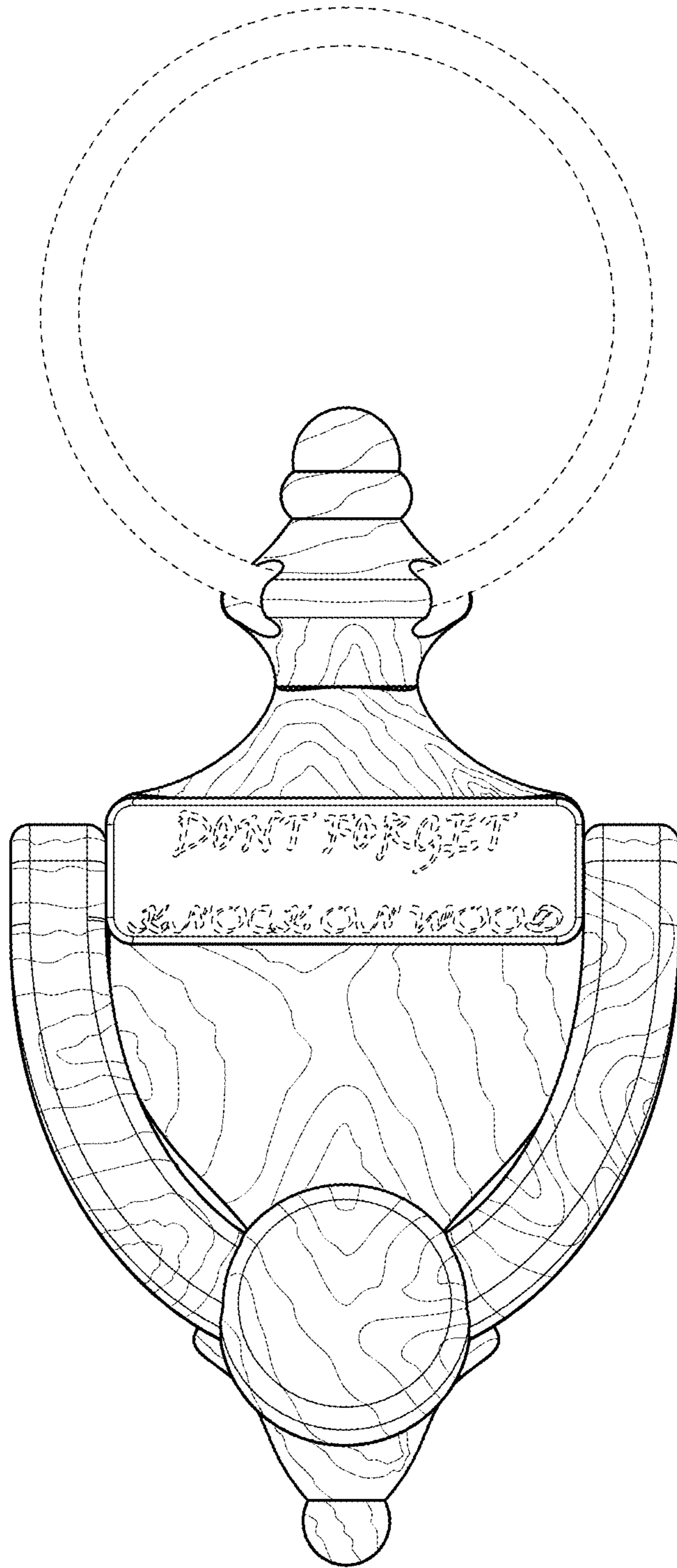


FIG. 2

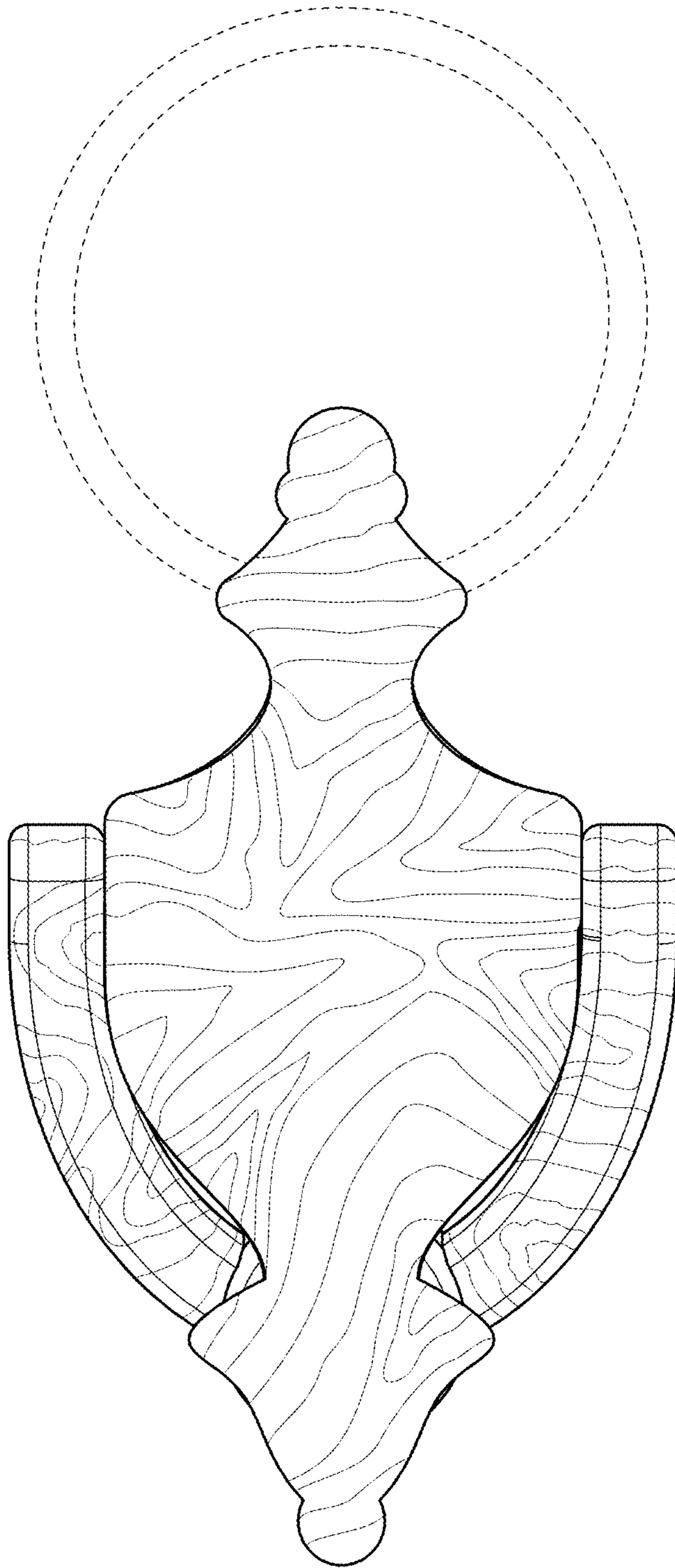


FIG. 3

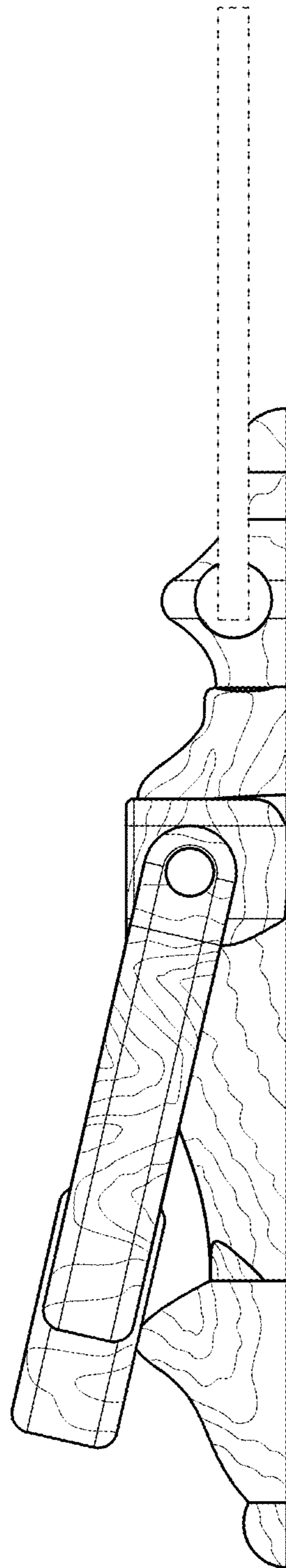


FIG. 4

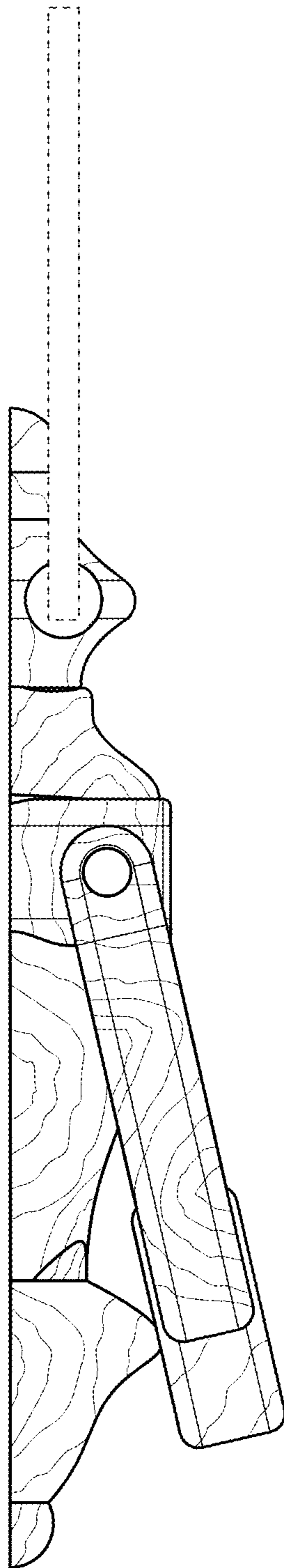


FIG. 5

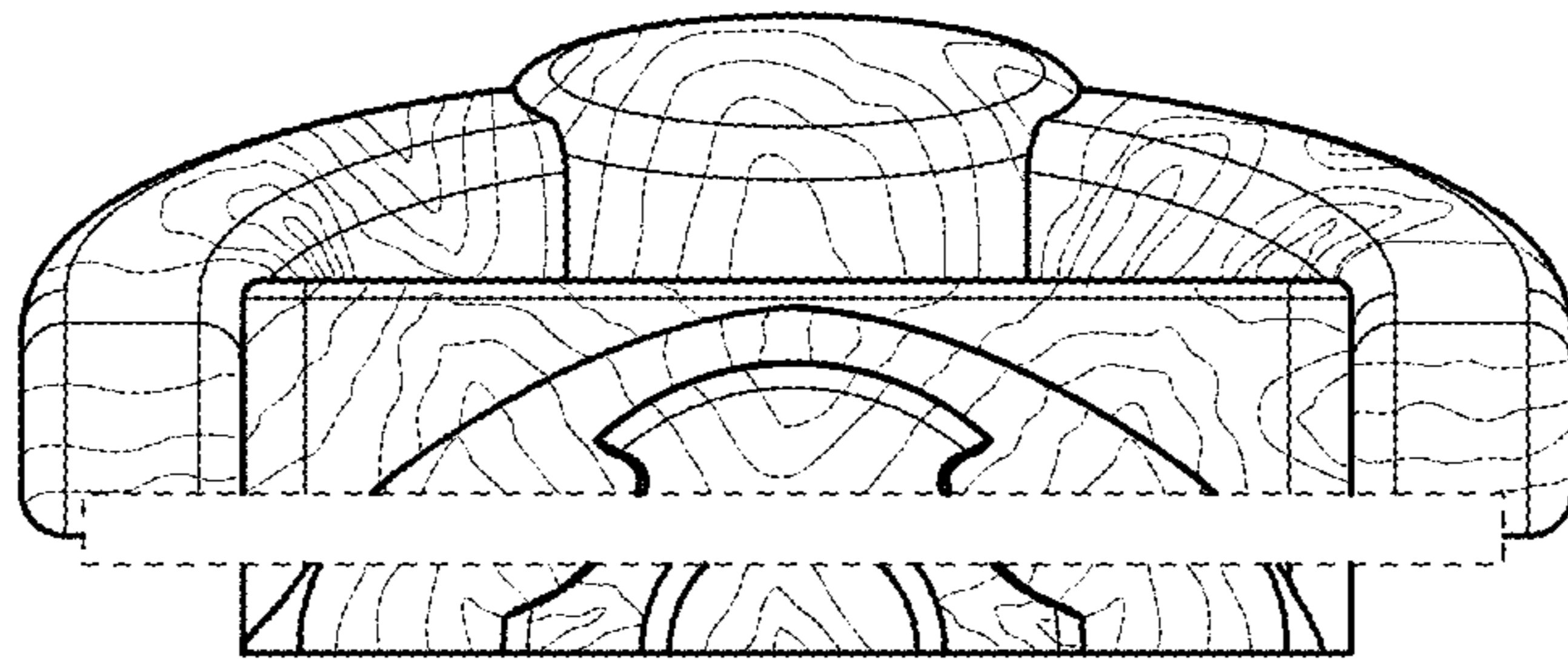


FIG. 6

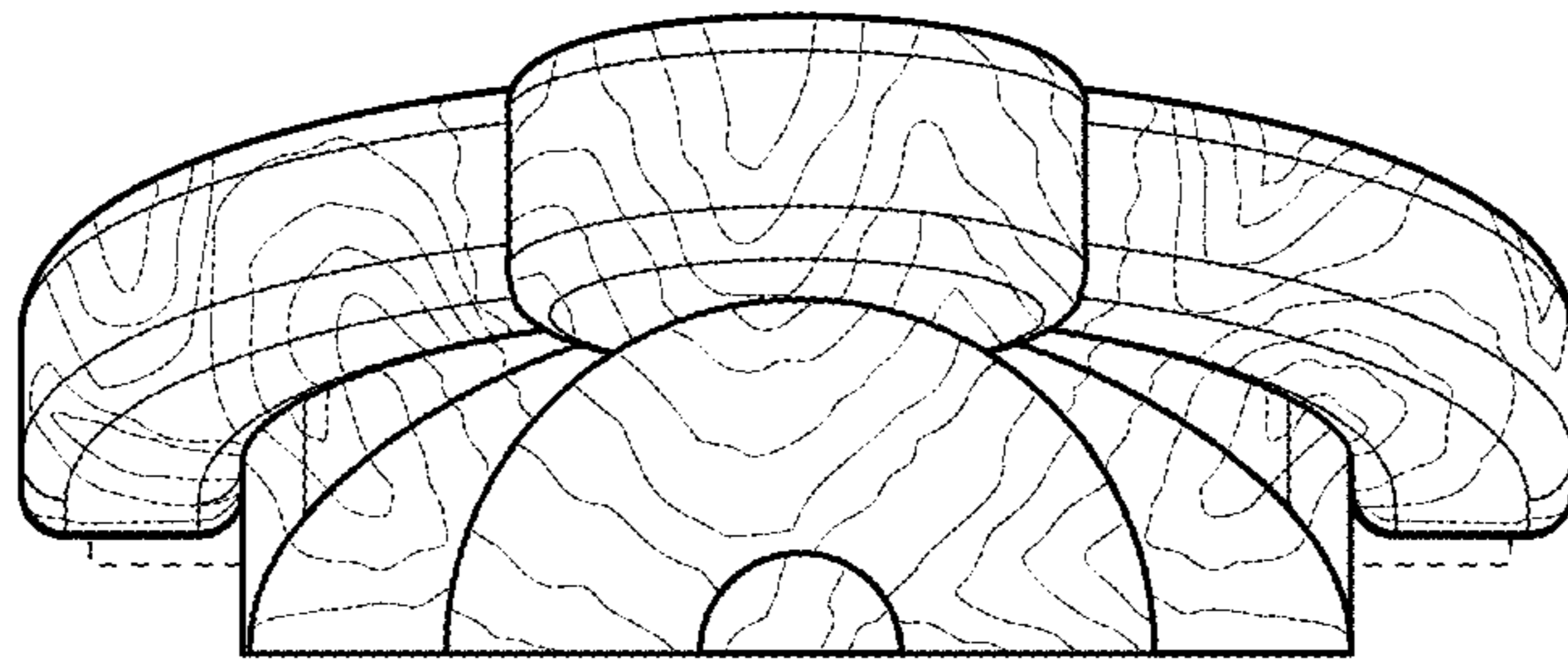


FIG. 7