



US00D977821S

(12) **United States Design Patent** (10) **Patent No.:** **US D977,821 S**
Chen (45) **Date of Patent:** **** Feb. 14, 2023**

(54) **MEDICATION CASE**

(71) Applicant: **Changsha Yuwen Network Technology Co., Ltd.**, Changsha (CN)

(72) Inventor: **Junyuan Chen**, Changsha (CN)

(73) Assignee: **HAIKOU LILI INVESTMENT CO., LTD.**, Haikou (CN)

(**) Term: **15 Years**

(21) Appl. No.: **29/794,716**

(22) Filed: **Jun. 15, 2021**

(51) **LOC (14) Cl.** **03-01**

(52) **U.S. Cl.**
USPC **D3/203.3**; D9/432

(58) **Field of Classification Search**
USPC D3/203.1, 203.2, 203.3, 201, 203.4,
D3/203.5, 203.6, 203.7, 203.8, 272, 273,
D3/901-905, 302, 298; D24/224;
D6/515; D9/420-424, 529, 756, 757,
D9/759; D99/28; D14/214, 314;
D7/615, 629; D27/186

CPC A61J 1/00; A61J 7/04; B65D 43/20; B65D
50/04; B65D 83/04; A47F 3/0404

See application file for complete search history.

(56) **References Cited**

U.S. PATENT DOCUMENTS

6,021,902 A * 2/2000 Wu A61J 7/0409
206/459.1
D824,253 S * 7/2018 Mayer D9/432
D860,636 S * 9/2019 Moody D3/203.3
D948,865 S * 4/2022 Tarafder D3/203.3
D952,459 S * 5/2022 Irwin D9/422
2019/0002623 A1 * 1/2019 Kriesel A01K 97/06

FOREIGN PATENT DOCUMENTS

GB 2022543 * 6/1992

OTHER PUBLICATIONS

Amazon.com, Site visited Aug. 3, 2022, Mimi Medcessories Store 7 Day Pillbox, First available Mar. 9, 2018, <https://www.amazon.com/Organizer-Prenatal-Supplements-Pregnancy-Champagne/dp/B07BBY539C> (Year: 2018).*

Amazon.co.uk, Site visited Aug. 8, 2022, JFA Medical Weekly Stackable Pill Organizer, First available Nov. 22, 2019, <https://www.amazon.co.uk/JFA-Medical-Stackable-Supplements-compartments/dp/B081VMMGL7> (Year: 2019).*

Amazon.co.uk, Site visited Aug. 8, 2022, Genneric 7 Day Pill Box Organiser, First available Aug. 3, 2020 <https://www.amazon.co.uk/Portable-Organizer-Compartments-Moisture-Proof-Dispense/dp/B08F5FX43B> (Year: 2020).*

* cited by examiner

Primary Examiner — Susan Bennett Hattan

Assistant Examiner — Jessica M Gebhart

(74) *Attorney, Agent, or Firm* — IPro, PLLC

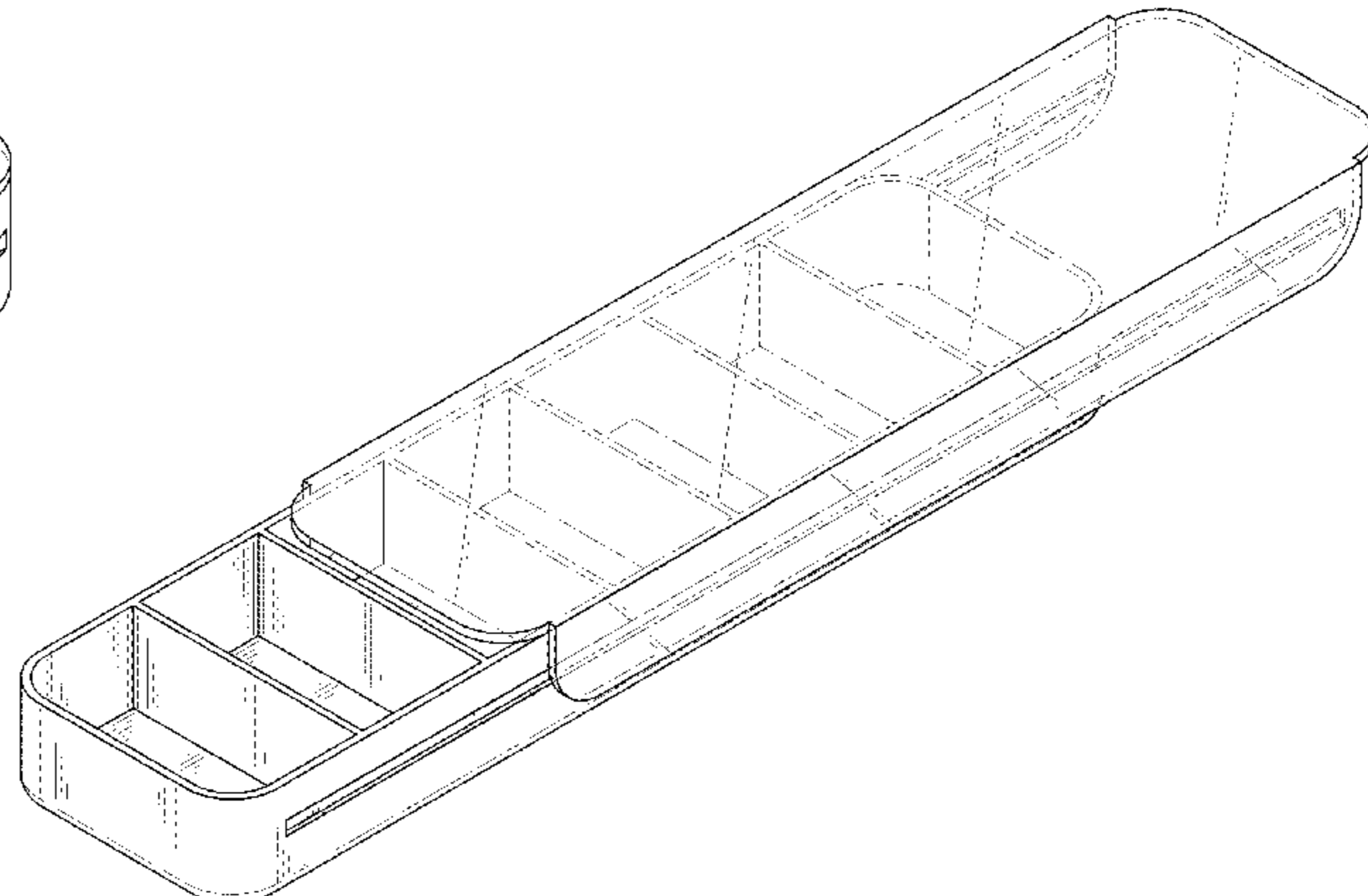
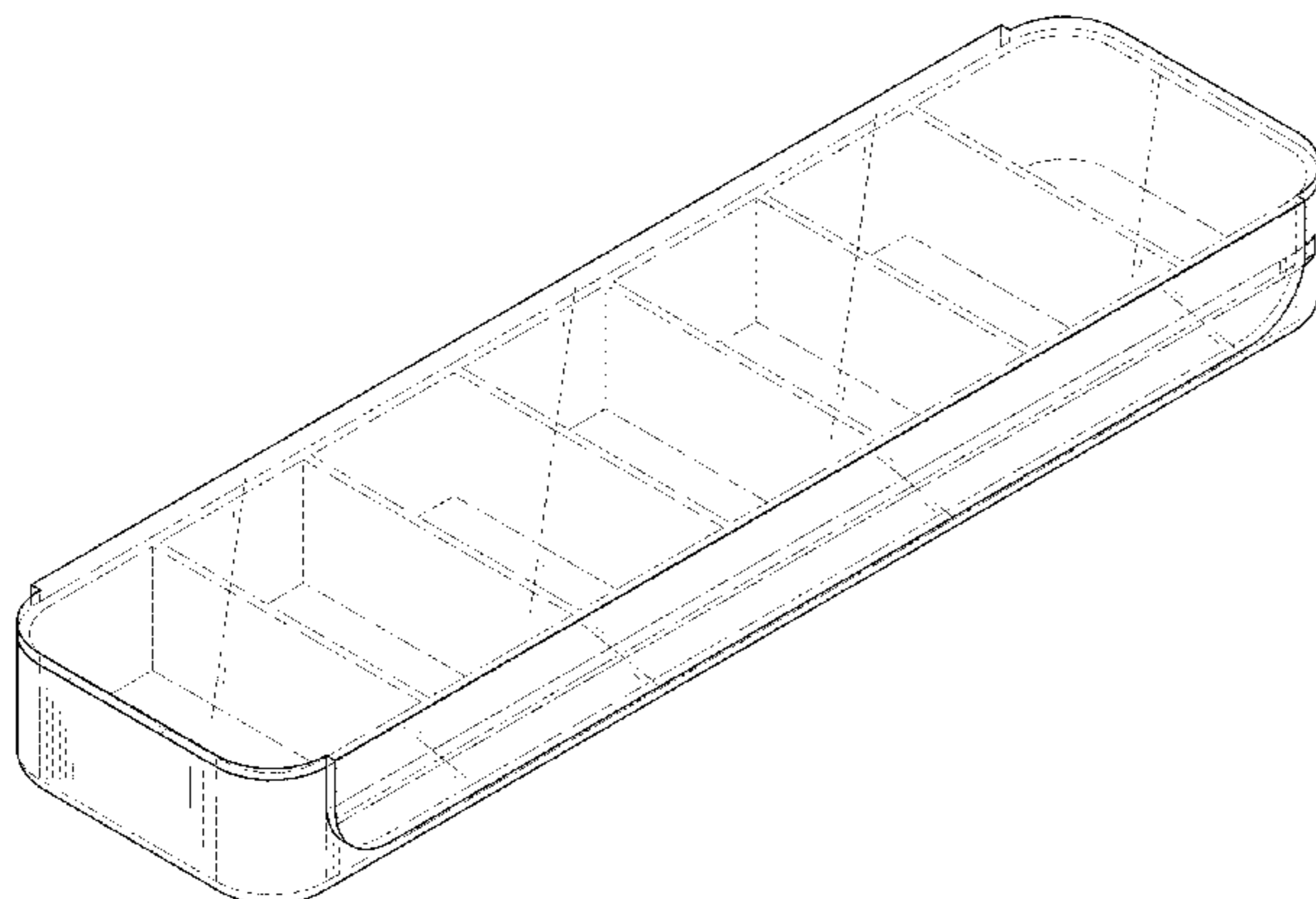
(57) **CLAIM**

The ornamental design for a medication case, as shown and described.

DESCRIPTION

FIG. 1 is a perspective view of an ornamental design for a medication case showing the new design; FIG. 2 is another perspective view of the medication case; FIG. 3 is a front view of the medication case; FIG. 4 is a rear view of the medication case; FIG. 5 is a left side view of the medication case; FIG. 6 is a right side view of the medication case; FIG. 7 is a top view of the medication case; FIG. 8 is a bottom view of the medication case; and, FIG. 9 is a perspective view of the medication case showing the inner case partially removed from the outer case.

1 Claim, 9 Drawing Sheets



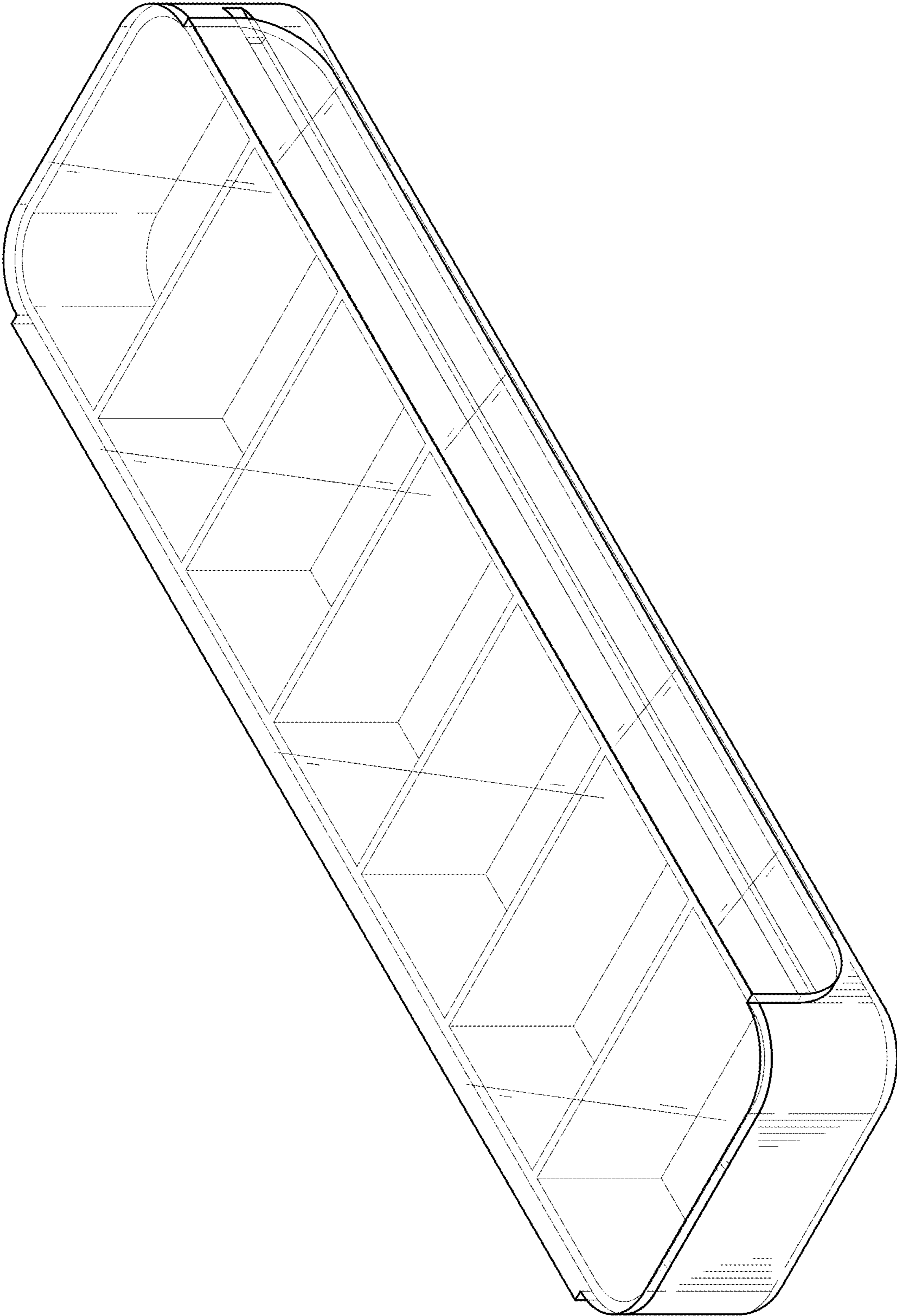


FIG. 1

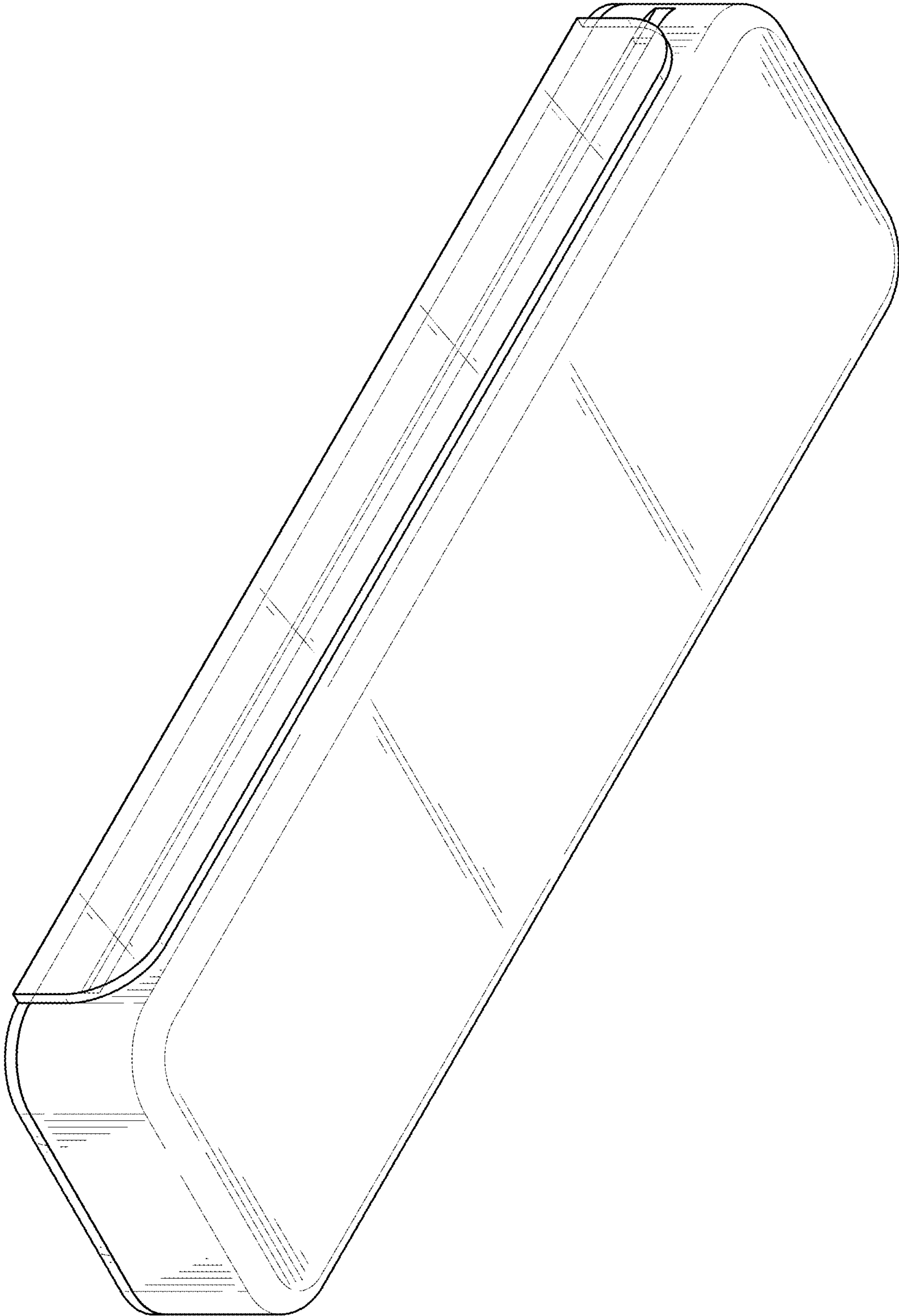


FIG. 2

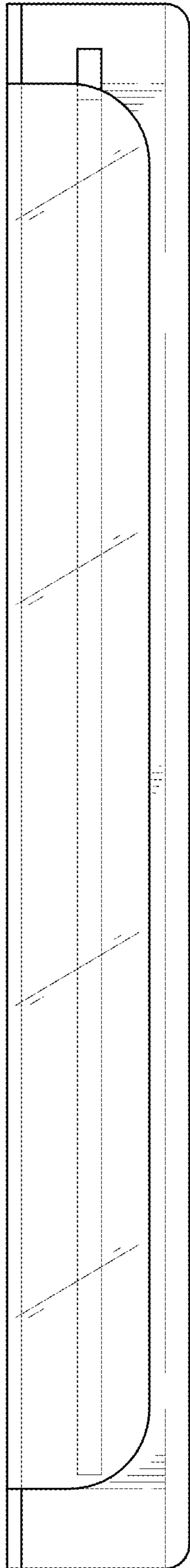


FIG. 3

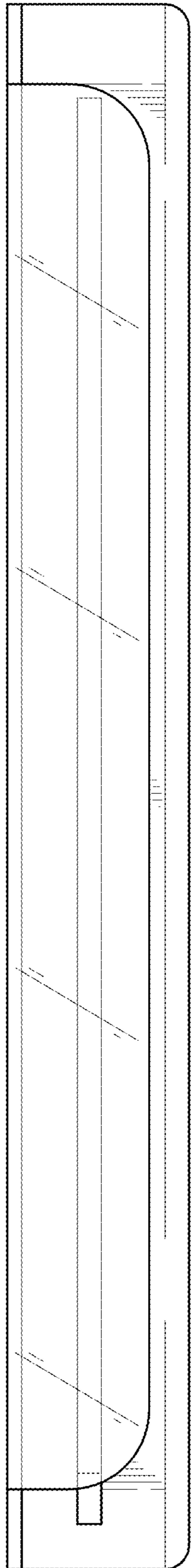


FIG. 4

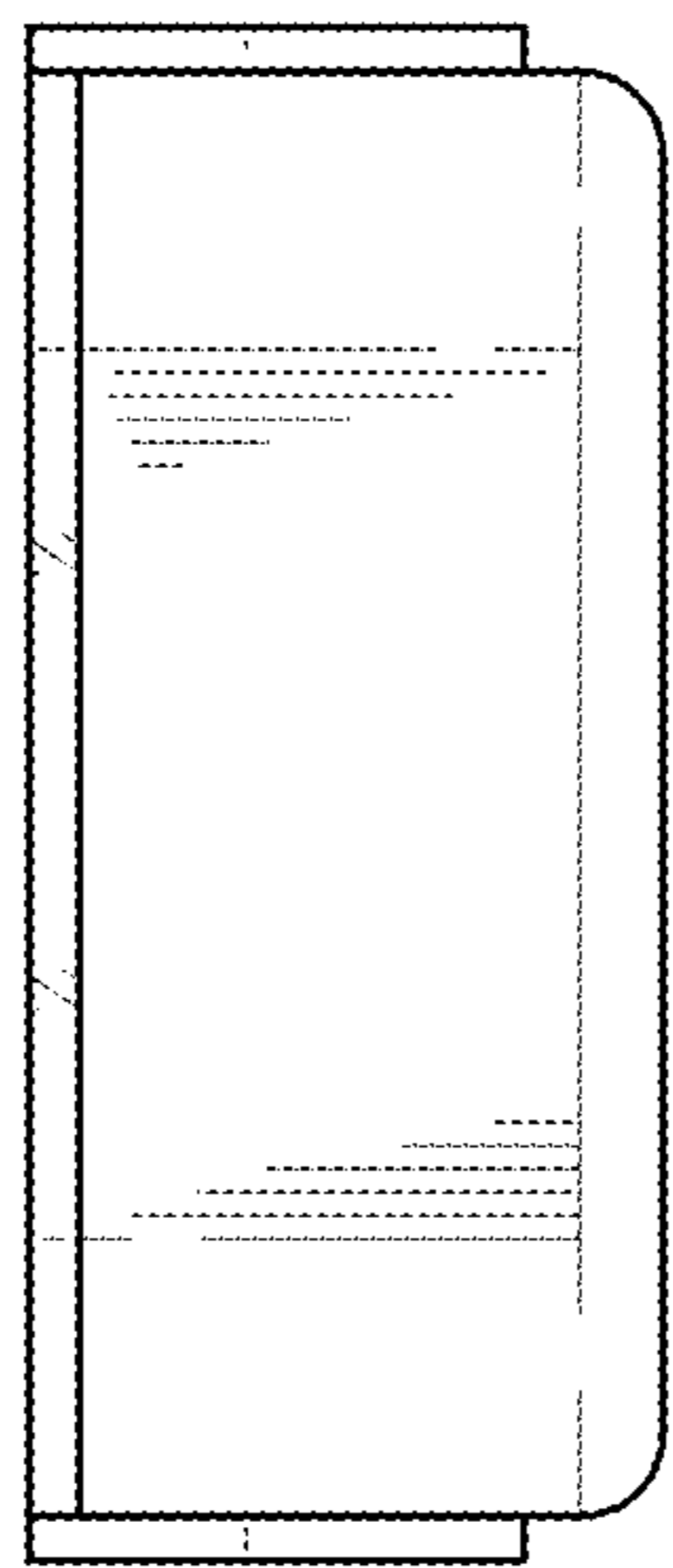


FIG. 5

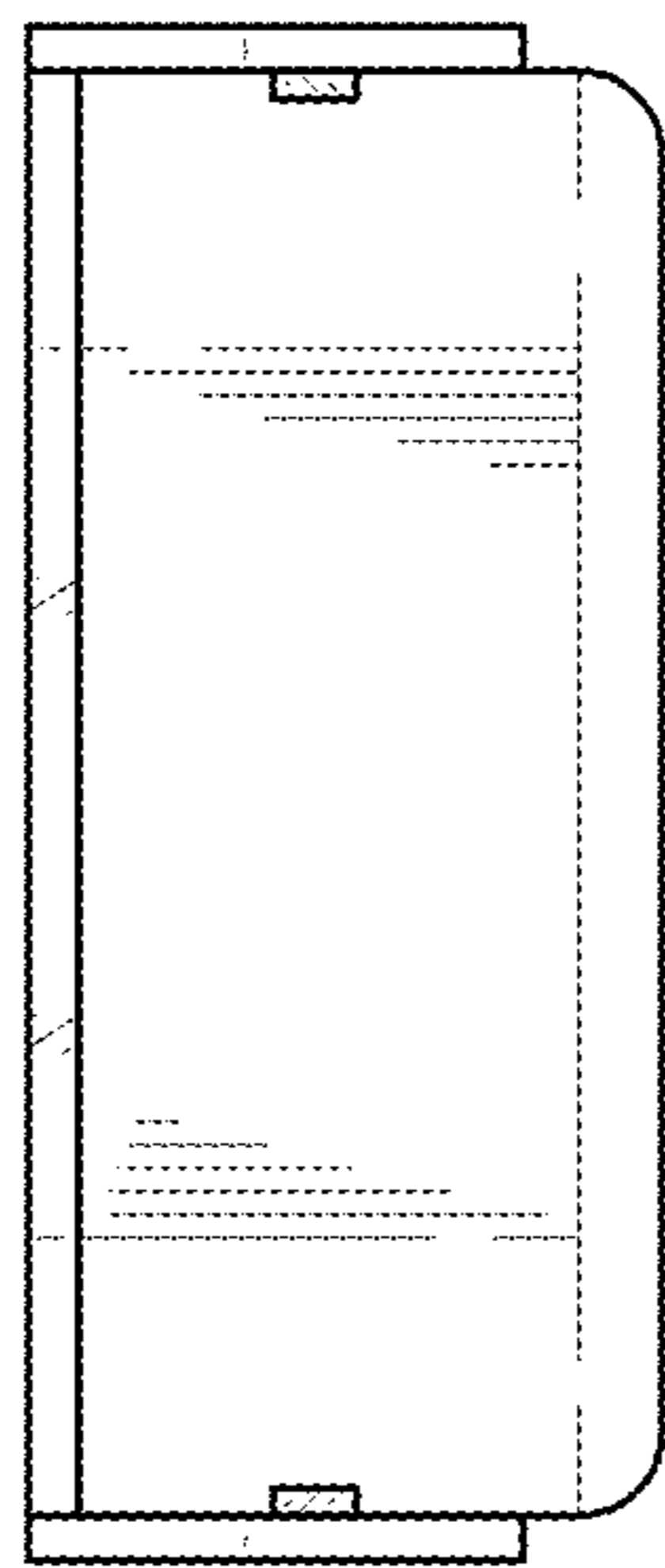


FIG. 6

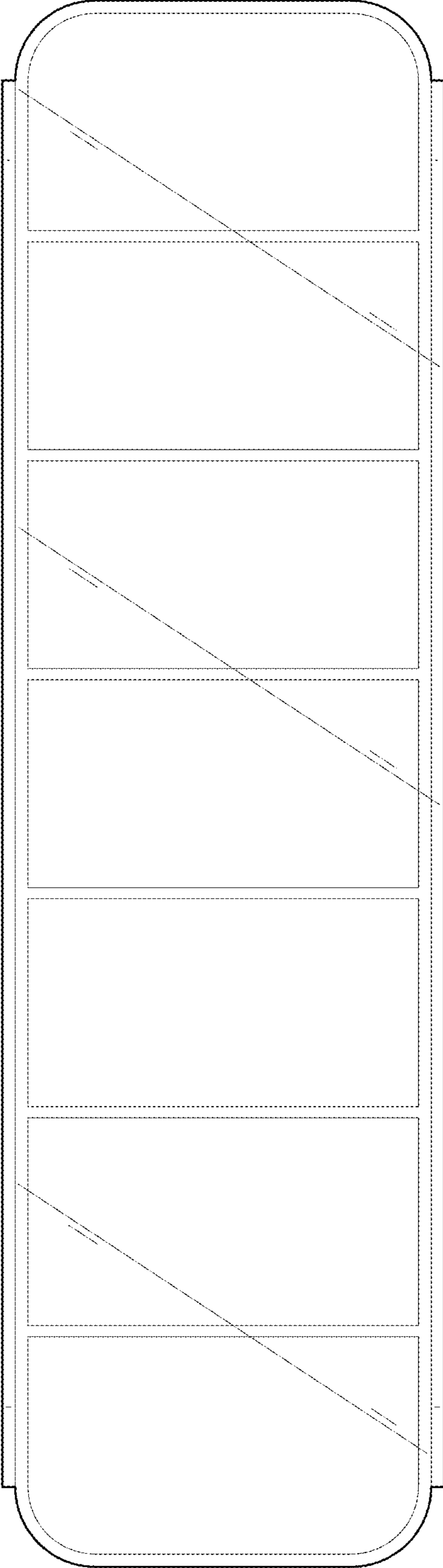


FIG. 7

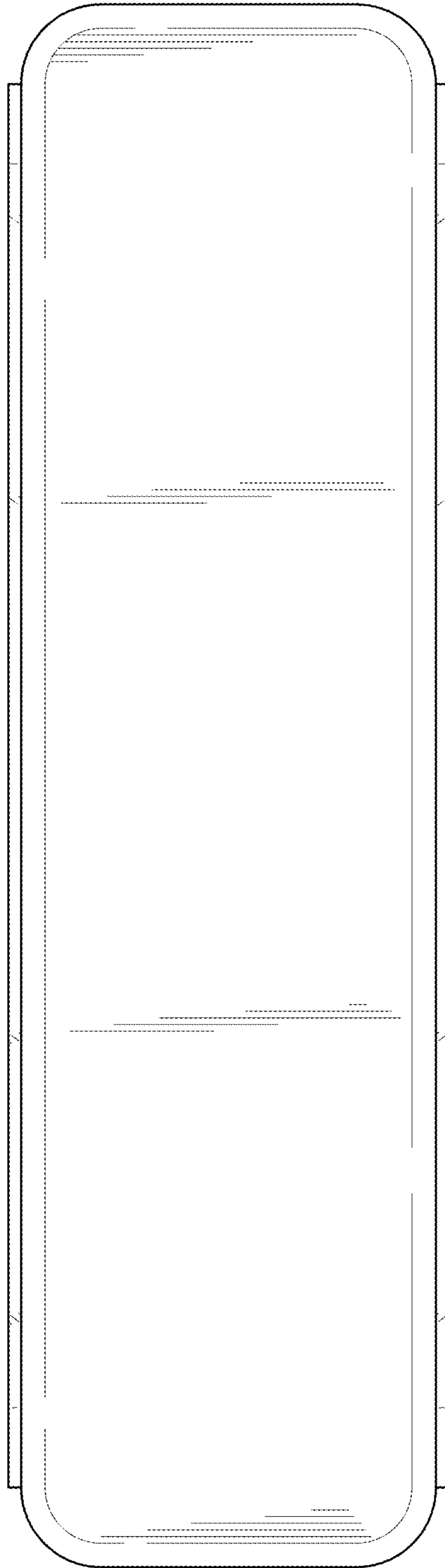


FIG. 8

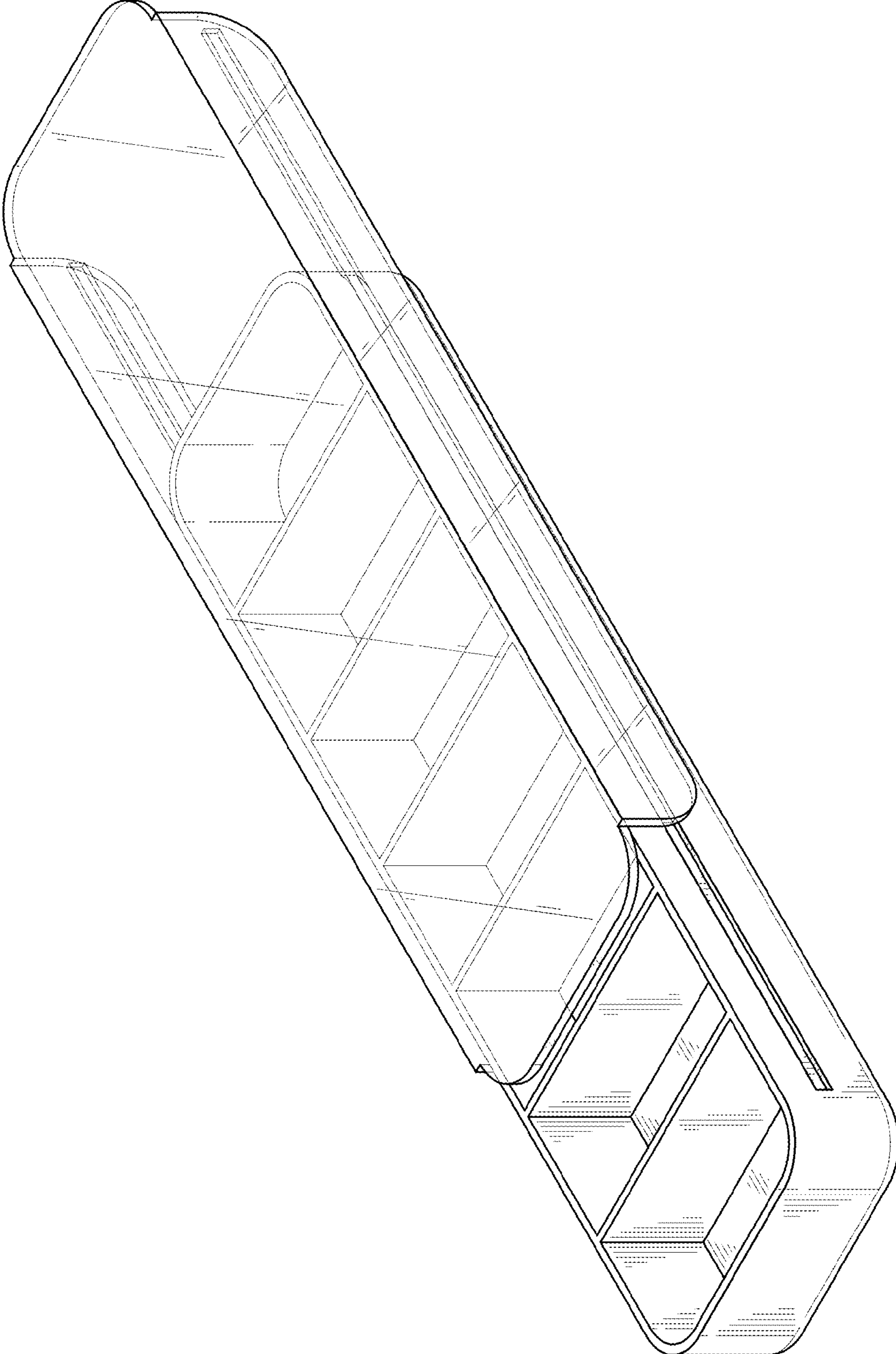


FIG. 9