



US00D977819S

(12) **United States Design Patent** (10) **Patent No.:** **US D977,819 S**  
**You** (45) **Date of Patent:** **\*\* Feb. 14, 2023**

(54) **CONTAINER**  
(71) Applicant: **Jianyang You**, Hebei (CN)  
(72) Inventor: **Jianyang You**, Hebei (CN)  
(\*\*) Term: **15 Years**  
(21) Appl. No.: **29/854,117**  
(22) Filed: **Sep. 22, 2022**  
(51) **LOC (14) Cl.** ..... **03-01**  
(52) **U.S. Cl.**  
USPC ..... **D3/201**  
(58) **Field of Classification Search**  
USPC ..... D3/201, 203.1, 203.2, 203.3, 215, 273,  
D3/294; D7/391; D9/420; D13/152,  
D13/153; D14/217  
CPC ..... A45C 2011/001; A45C 2011/007; A45C  
13/02; A45C 13/12; B65D 11/02; B65D  
11/20; B65D 45/02; B65D 45/10; B65D  
47/12; B65D 67/00; B65D 81/00; B65D  
85/04; B65D 85/07; B65D 2213/00;  
B65D 2213/02  
See application file for complete search history.

D693,625 S \* 11/2013 Facey ..... D7/354  
D746,058 S \* 12/2015 Serell ..... D3/203.1  
D795,059 S \* 8/2017 Buck ..... D9/428  
D816,994 S \* 5/2018 Fischer ..... D3/294  
D819,109 S \* 5/2018 Yamauchi ..... D16/200  
D828,749 S \* 9/2018 Swegle ..... B65D 21/022  
D9/415  
D829,669 S \* 10/2018 St. George ..... D13/153  
D830,309 S \* 10/2018 Holley ..... D13/153  
D840,945 S \* 2/2019 Chang ..... D13/152  
D851,913 S \* 6/2019 Yu ..... D3/201  
D853,835 S \* 7/2019 Ang ..... D9/420  
D868,992 S \* 12/2019 Ma ..... D24/217  
D883,668 S \* 5/2020 Sakai ..... D3/294  
D883,669 S \* 5/2020 Sakai ..... A45C 11/00  
D3/294  
D890,511 S \* 7/2020 Dericco ..... D3/203.1  
D899,089 S \* 10/2020 Yu ..... A61F 11/08  
D3/297  
D904,760 S \* 12/2020 Hyun ..... D3/273  
D917,152 S \* 4/2021 Kambouris ..... D3/273

(Continued)

Primary Examiner — Steven J Czyz

(57) **CLAIM**

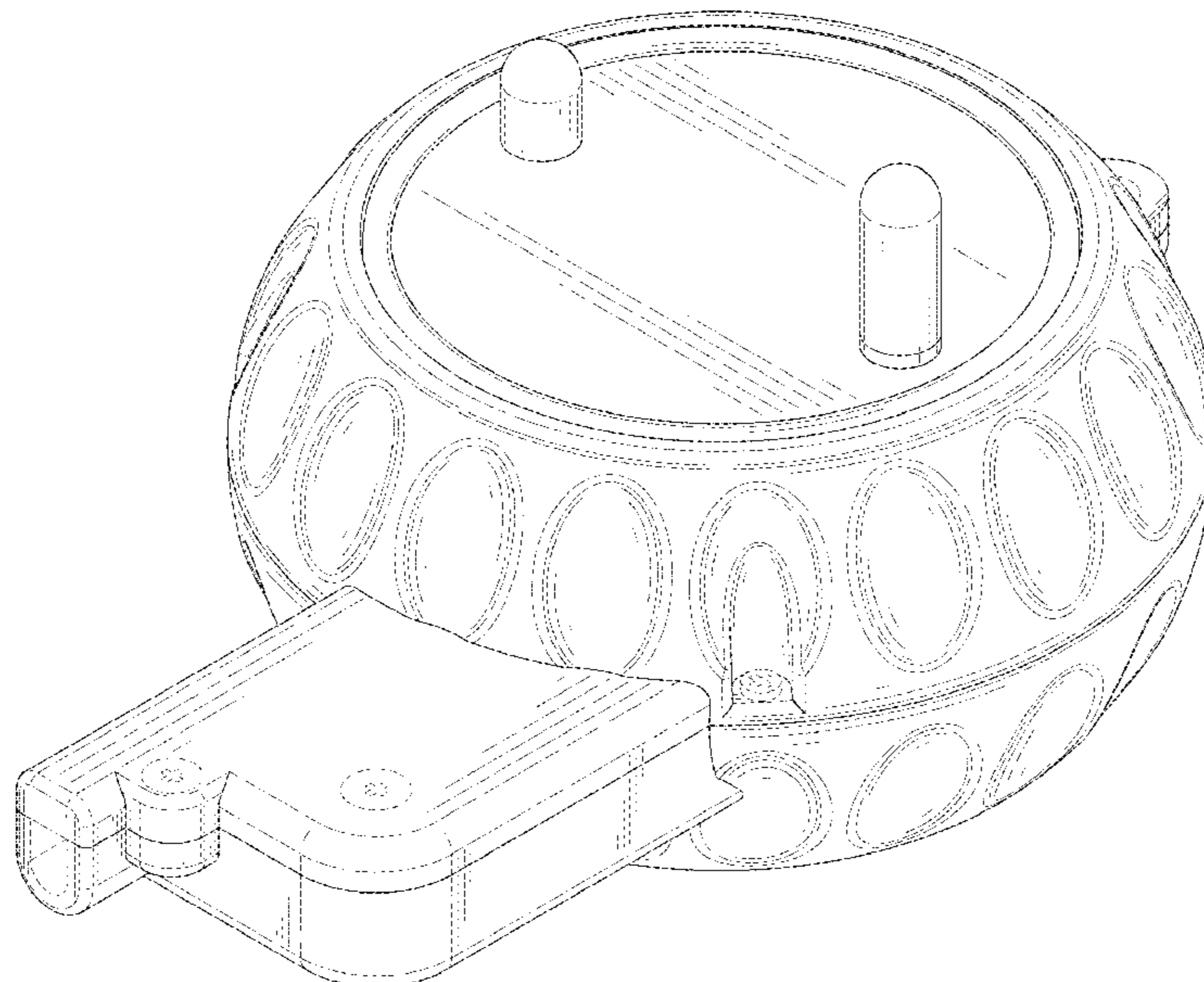
The ornamental design for a container, as shown and described.

**DESCRIPTION**

FIG. 1 is a front and top perspective view of a container, showing my new design;  
FIG. 2 is a rear and bottom perspective view thereof;  
FIG. 3 is a front elevation view thereof;  
FIG. 4 is a rear elevation view thereof;  
FIG. 5 is a left side elevation view thereof;  
FIG. 6 is a right side elevation view thereof;  
FIG. 7 is a top plan view thereof; and,  
FIG. 8 is a bottom plan view thereof.  
The broken lines in the figures illustrate portions of the container that form no part of the claimed design.

**1 Claim, 8 Drawing Sheets**

(56) **References Cited**  
**U.S. PATENT DOCUMENTS**  
D253,218 S \* 10/1979 Johnson ..... D7/352  
4,966,319 A \* 10/1990 Fleming ..... A45C 11/00  
206/83  
D322,031 S \* 12/1991 Fleming ..... D3/294  
D449,442 S \* 10/2001 Snider ..... D3/905  
D468,986 S \* 1/2003 Kan ..... D11/79  
D524,153 S \* 7/2006 Reinhard ..... D9/428  
D531,159 S \* 10/2006 Park ..... D14/203.3  
D550,077 S \* 9/2007 Lagreca ..... D9/652  
D561,470 S \* 2/2008 Jalet ..... D9/428  
D630,835 S \* 1/2011 Easley ..... A61F 11/08  
D3/203.1  
D675,013 S \* 1/2013 Votel ..... D3/215



(56)

**References Cited**

U.S. PATENT DOCUMENTS

D930,479	S	9/2021	Harris et al.	
D933,352	S *	10/2021	Bloch .....	D3/203.1
D936,365	S *	11/2021	Chun .....	D3/273
D945,161	S *	3/2022	Cooper .....	D28/82
D953,028	S *	5/2022	Reso .....	D3/269

\* cited by examiner

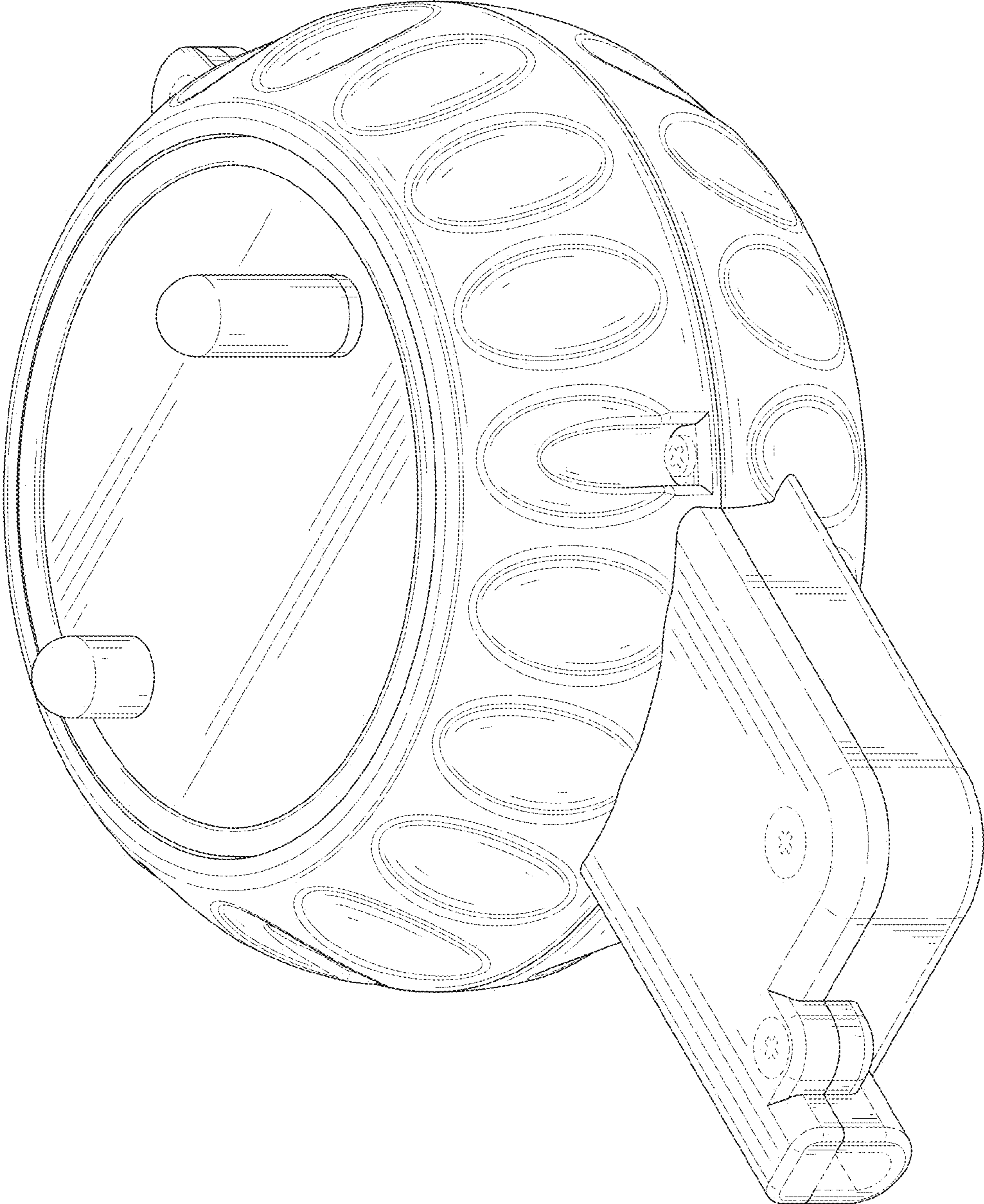


FIG. 1



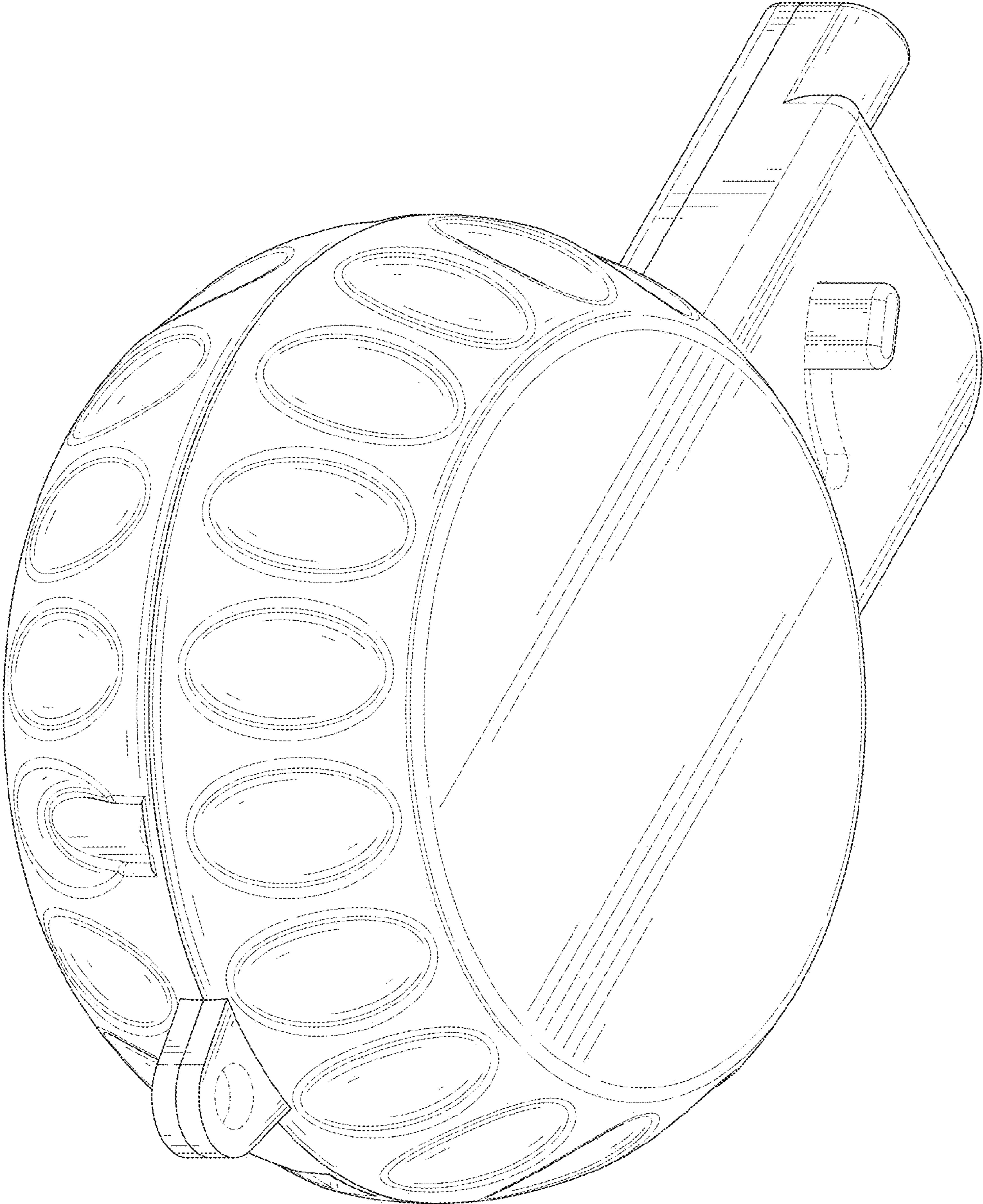


FIG. 2

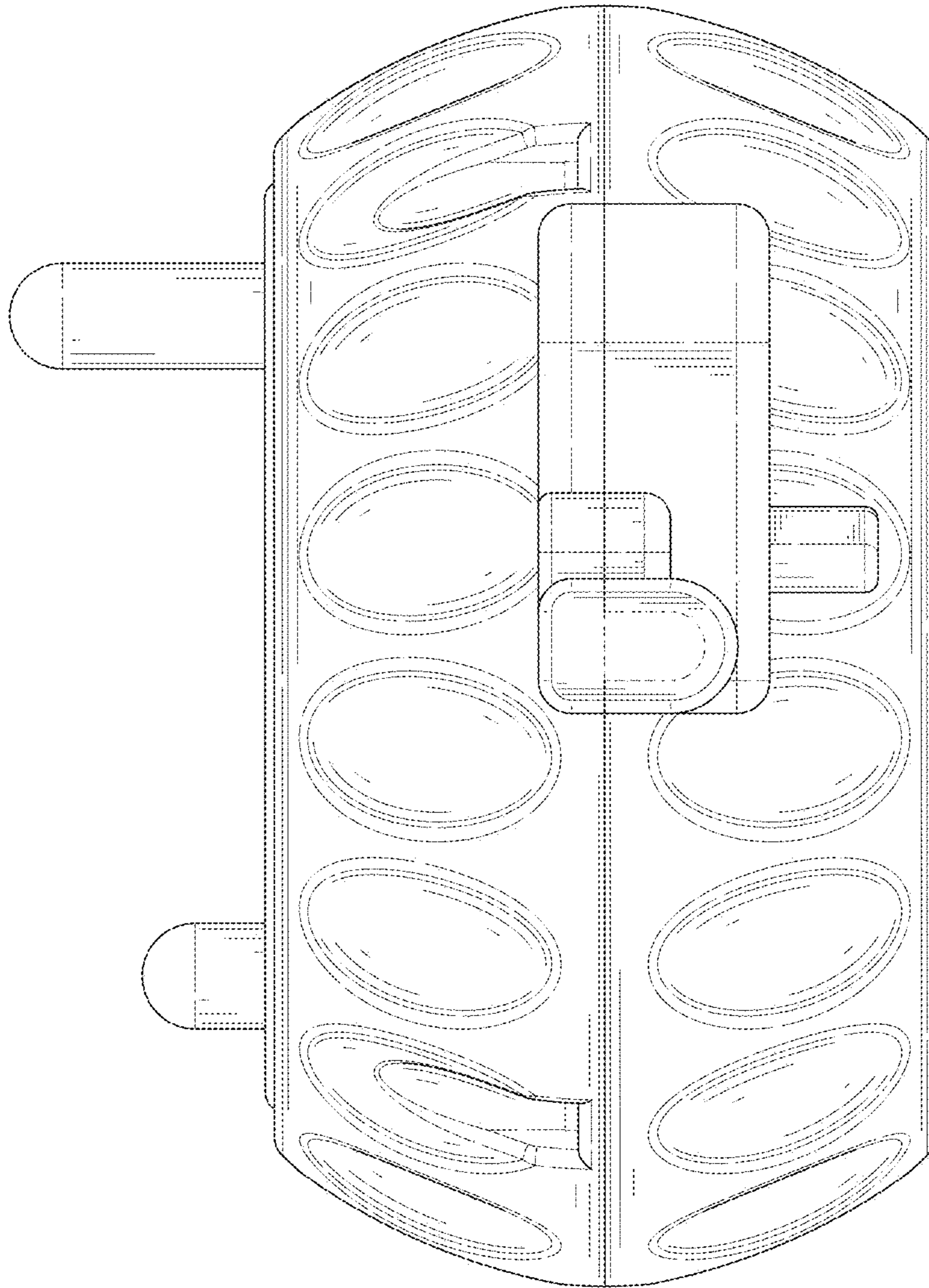


FIG. 3

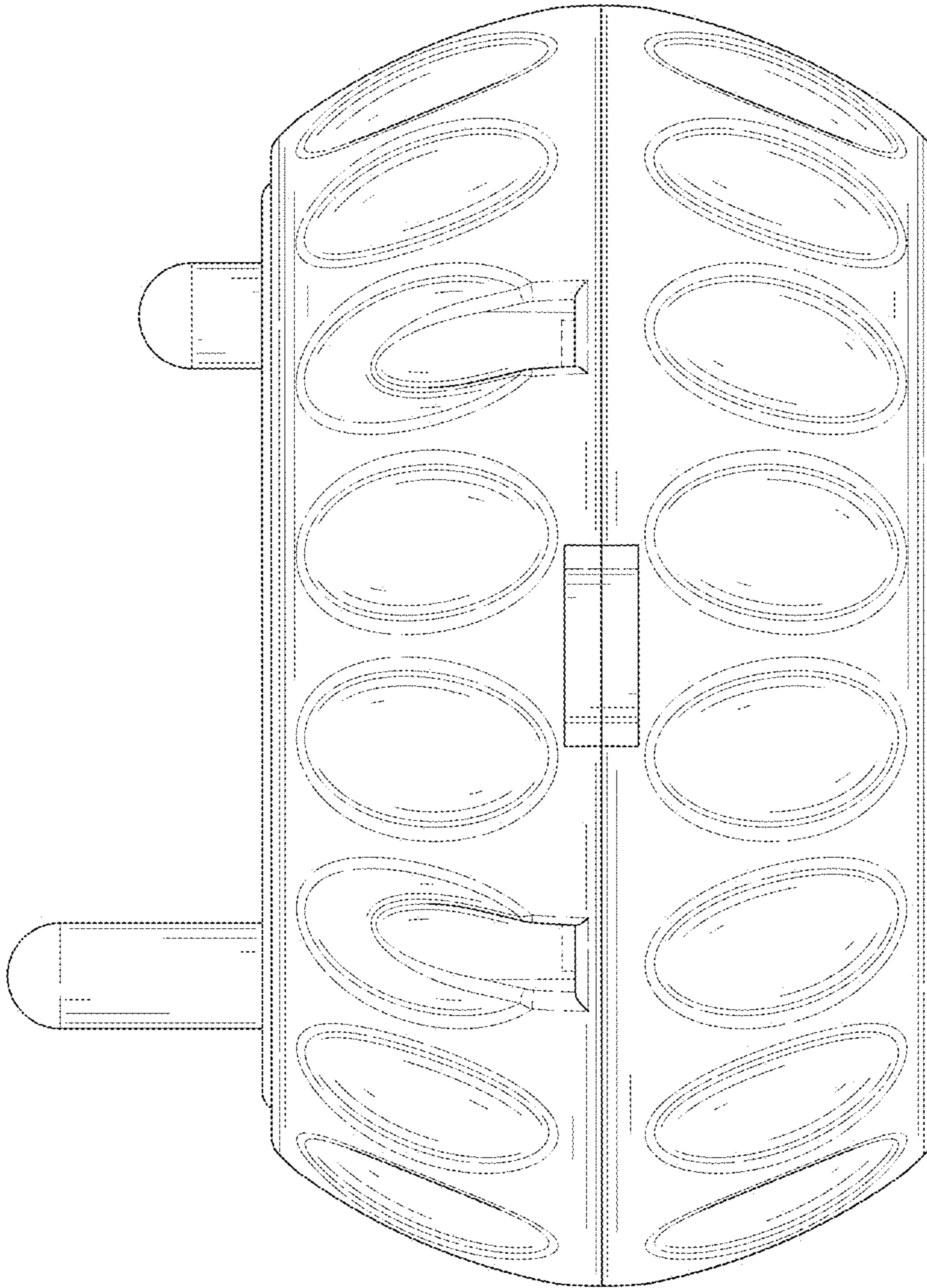


FIG. 4



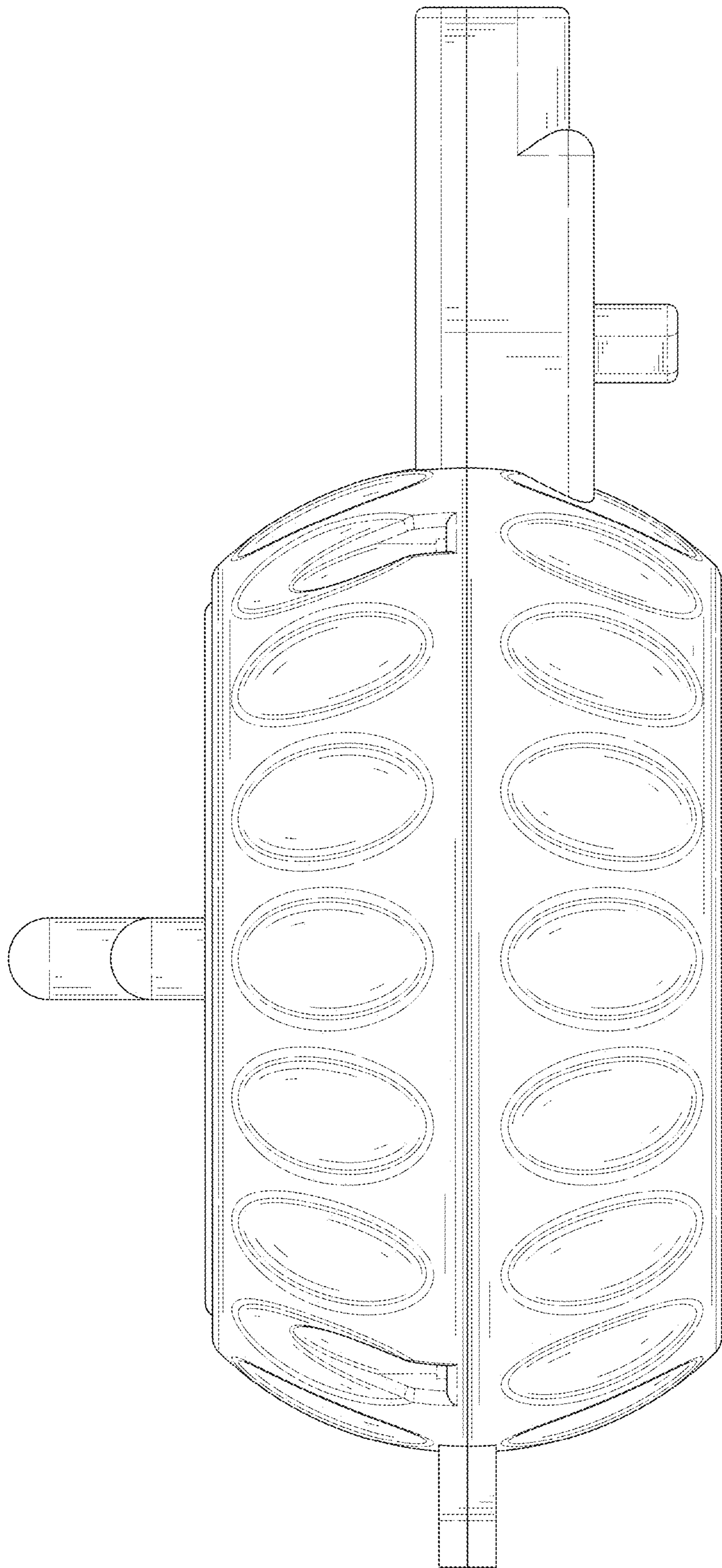


FIG. 5

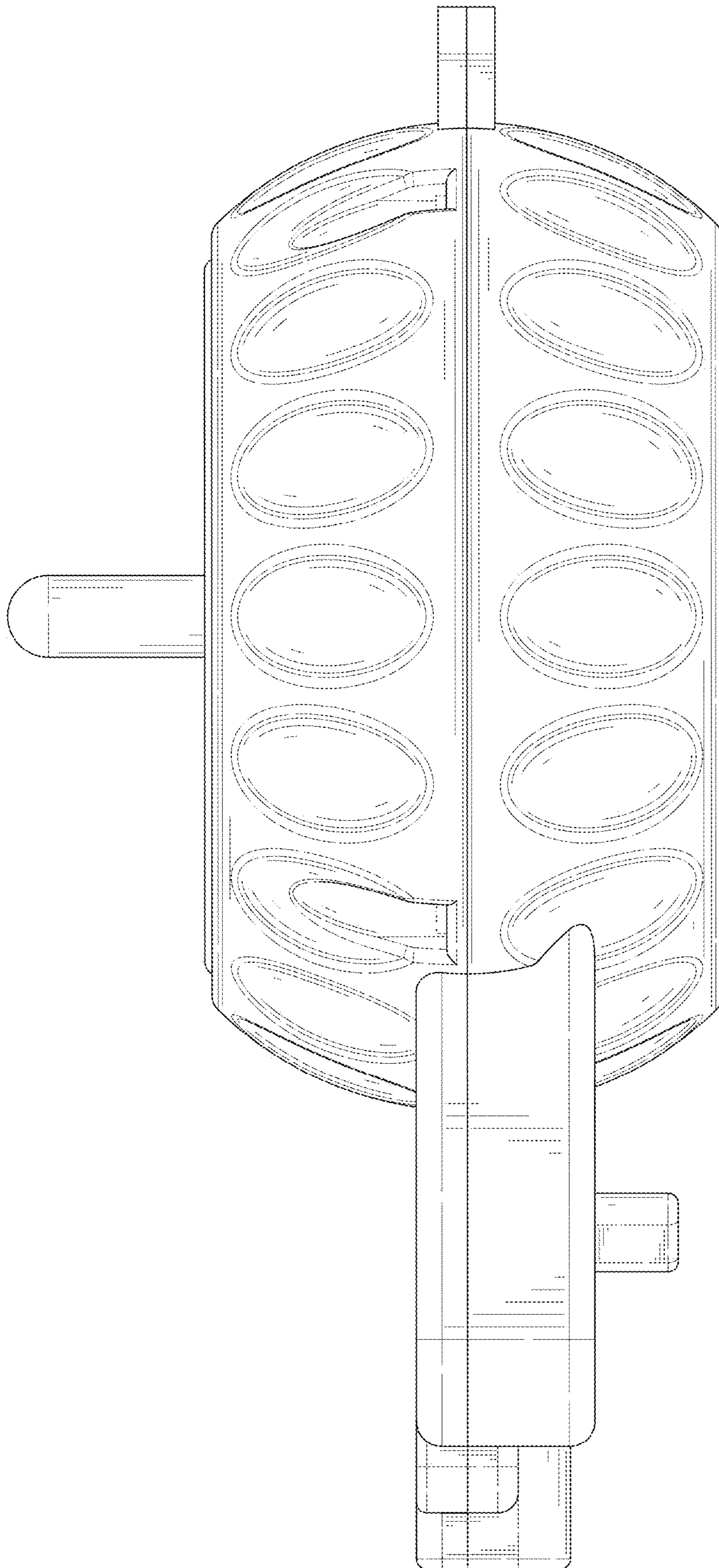


FIG. 6



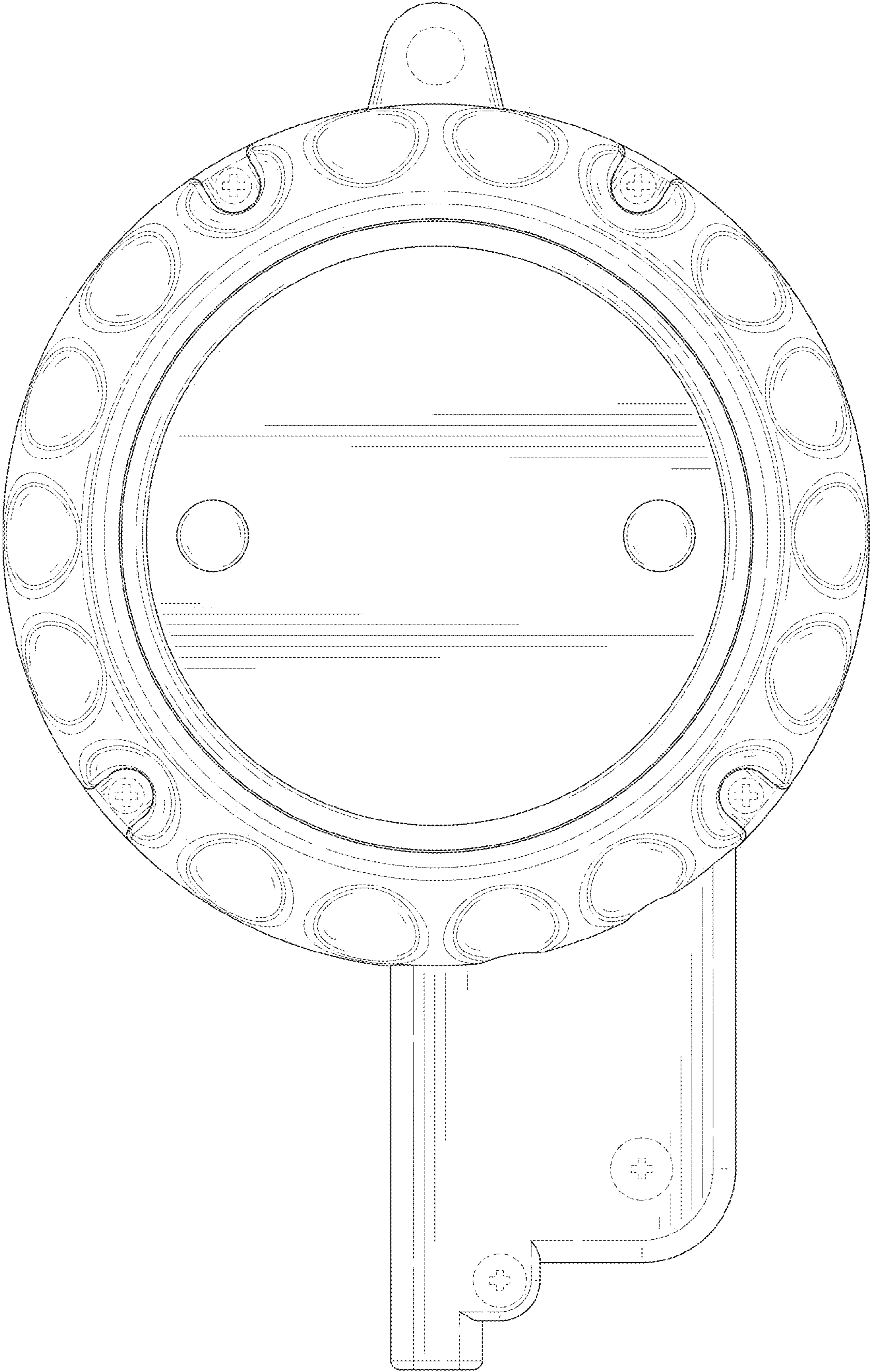


FIG. 7

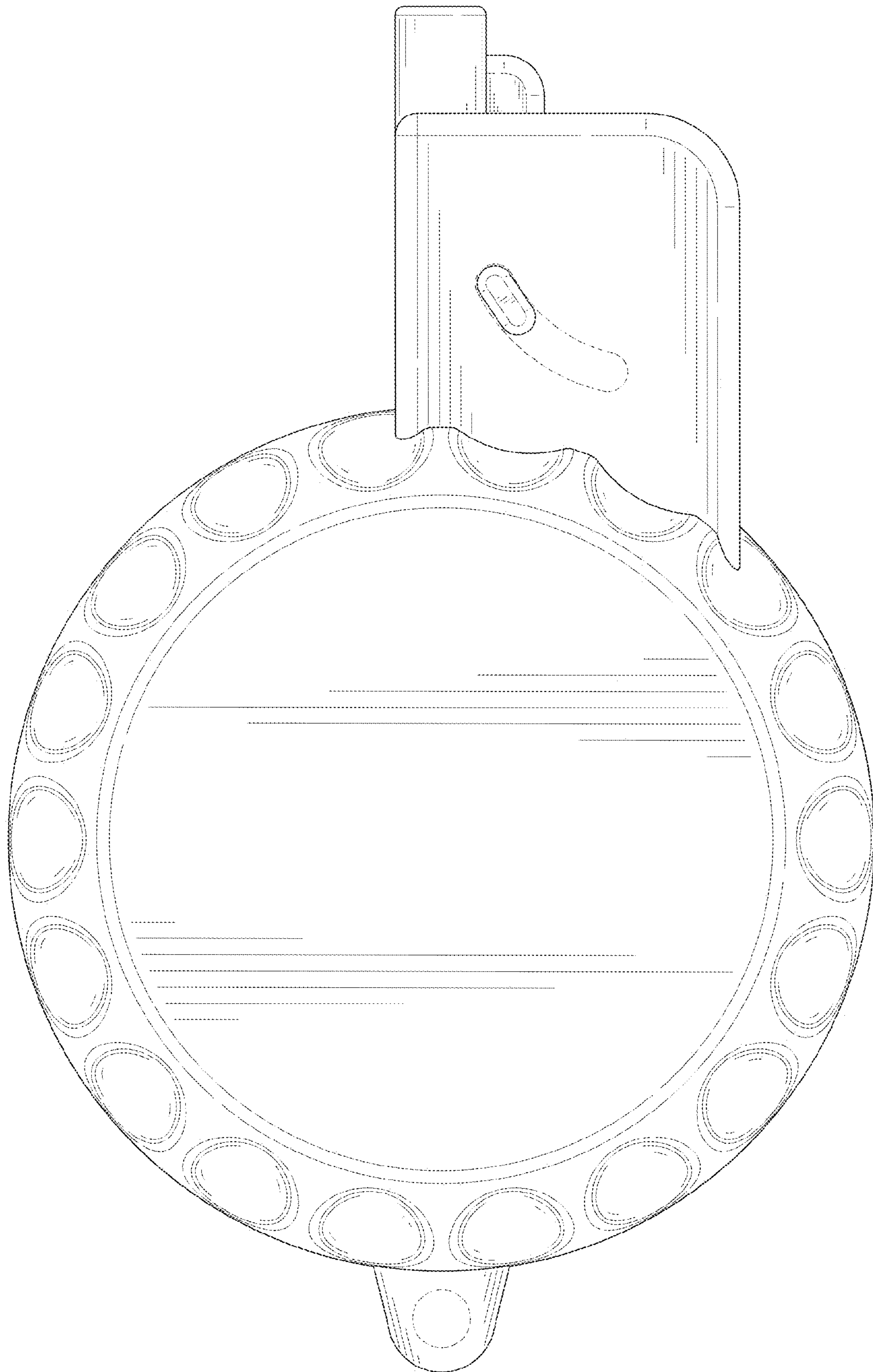


FIG. 8