



US00D977817S

(12) **United States Design Patent** (10) **Patent No.:** **US D977,817 S**  
**Rohlf** (45) **Date of Patent:** **\*\* Feb. 14, 2023**

(54) **WEIGHTED HAND GRIP FOR WALKING  
POLES**

FOREIGN PATENT DOCUMENTS

CN 303235659 \* 6/2015

(71) Applicant: **Teri Anne Rohlf**, Bryan, TX (US)

OTHER PUBLICATIONS

(72) Inventor: **Teri Anne Rohlf**, Bryan, TX (US)

Amazon.com, Site visited Jul. 26, 2022, Covacure Trekking Poles, First available Oct. 14, 2018, <https://www.amazon.com/Trekking-Poles-Collapsible-Hiking-Telescopic/dp/B07JF1YM86> (Year: 2018).\*

(\*\*) Term: **15 Years**

(Continued)

(21) Appl. No.: **29/757,283**

*Primary Examiner* — Brett Miller

(22) Filed: **Nov. 4, 2020**

*Assistant Examiner* — Jessica M Gebhart

(51) **LOC (14) Cl.** ..... **03-03**

(74) *Attorney, Agent, or Firm* — Taboada Law Firm, PLLC; John M. Taboada

(52) **U.S. Cl.**

USPC ..... **D3/12**; D8/107

(58) **Field of Classification Search**

USPC ..... D3/5, 6, 7, 8, 9, 10, 11, 12, 13, 14, 15,  
D3/16, 17; D12/128–133; D6/335, 355,  
D6/364–368; D21/775–777; D8/107,  
D8/303

(57) **CLAIM**

The ornamental design for a weighted hand grip for walking poles, as shown and described.

CPC .... A45B 9/00; A45B 9/04; A45B 5/00; A45B  
9/02; A45B 2200/05; A45B 2200/055;  
A61H 3/02; A61H 3/00; A61H 3/04;  
A47C 9/105; A63B 21/00; A63C 11/00;  
B25G 1/00

**DESCRIPTION**

See application file for complete search history.

FIG. 1 is a front right top perspective view of the weighted hand grip according to the present invention;

FIG. 2 is a back left bottom perspective view of the weighted hand grip of FIG. 1;

FIG. 3 is a left side view of the weighted hand grip of FIG. 1;

FIG. 4 is a front view of the weighted hand grip of FIG. 1;

FIG. 5 is a right side view of the weighted hand grip of FIG. 1;

FIG. 6 is a back view of the weighted hand grip of FIG. 1;

FIG. 7 is a top view of the weighted hand grip of FIG. 1;

FIG. 8 is a bottom view of the weighted hand grip of FIG. 1; and,

FIG. 9 is a front right top perspective view of a walking pole that includes the weighted hand grip of FIG. 1.

Portions or features of the weighted hand grip shown in broken lines in the drawings form no part of the claimed design.

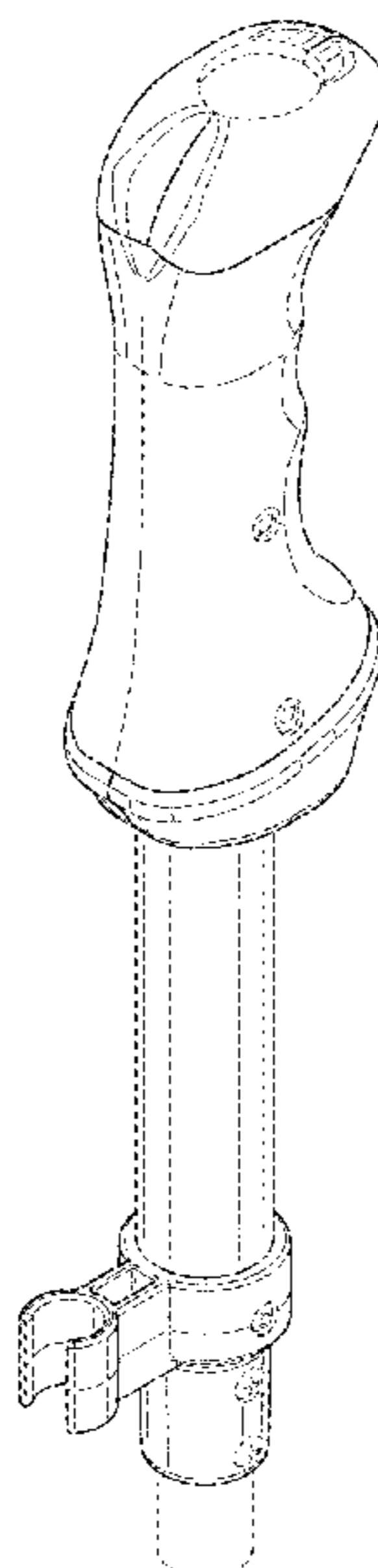
(56) **References Cited**

U.S. PATENT DOCUMENTS

5,778,914 A \* 7/1998 Trani ..... A45B 9/00  
135/66  
D404,785 S \* 1/1999 Lenhart ..... D21/775  
D533,761 S \* 12/2006 Lin ..... D8/107  
D536,233 S \* 2/2007 Lin ..... D8/107  
D621,602 S \* 8/2010 White ..... D3/12  
D654,774 S \* 2/2012 Mullen ..... D8/107  
2004/0163693 A1 \* 8/2004 Uemura ..... A63C 11/2228  
135/72

(Continued)

**1 Claim, 3 Drawing Sheets**



(56)

**References Cited**

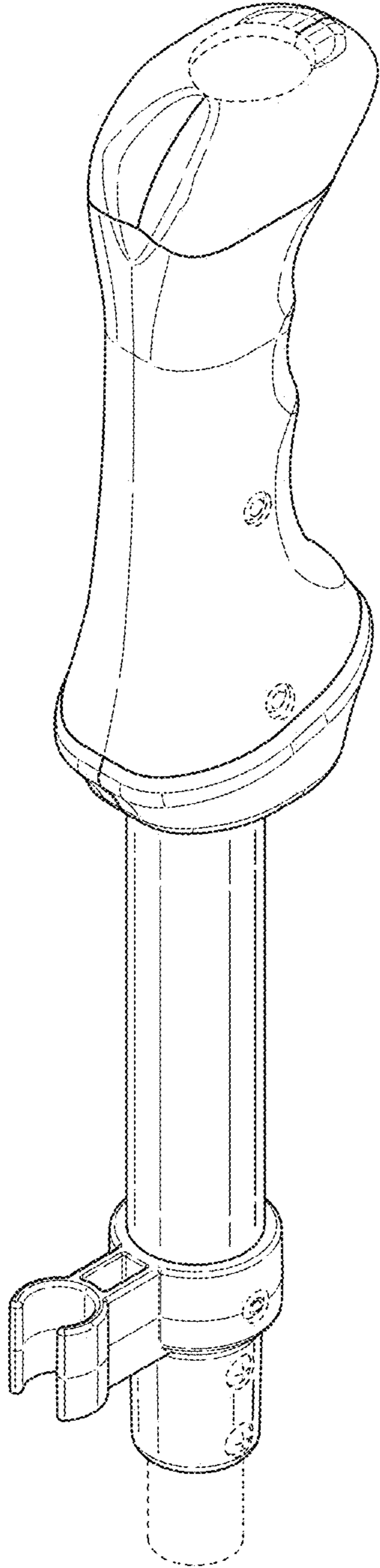
U.S. PATENT DOCUMENTS

2009/0250917 A1\* 10/2009 Lenhart ..... A45B 9/02  
280/821  
2018/0177268 A1\* 6/2018 D'Jay ..... A45B 9/02  
2018/0263343 A1\* 9/2018 Kier ..... A45B 9/00  
2021/0228972 A1\* 7/2021 Heim ..... A63C 11/227

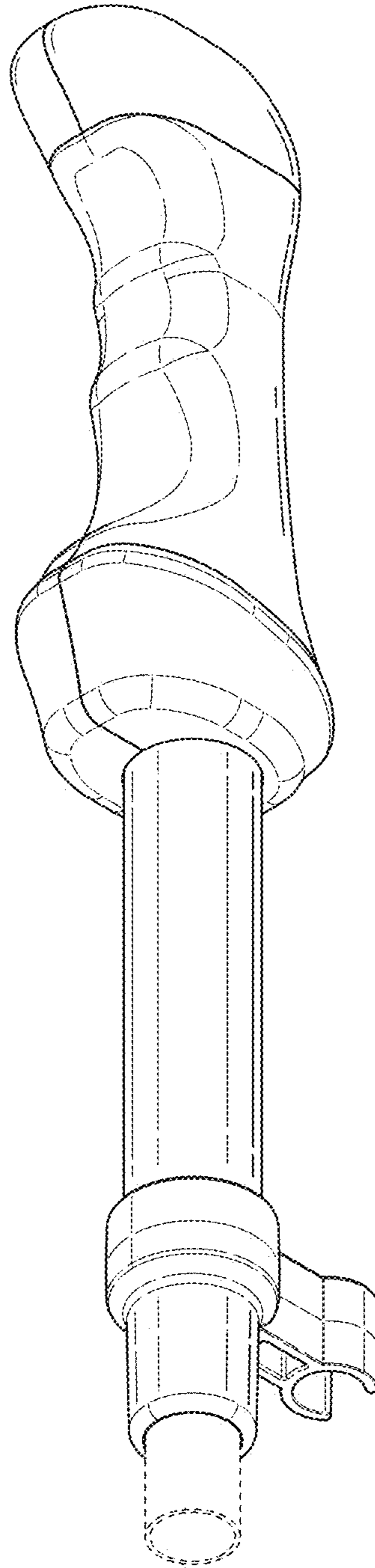
OTHER PUBLICATIONS

Amazon.com, Site visited Jul. 26, 2022, Finger Ten Golf Swing Training Aid Hand Grip, First available Apr. 26, 2019, <https://www.amazon.com/FINGER-TEN-Trainers-Practice-Standard/dp/B07R45TT5Q?th=1> (Year: 2019).\*

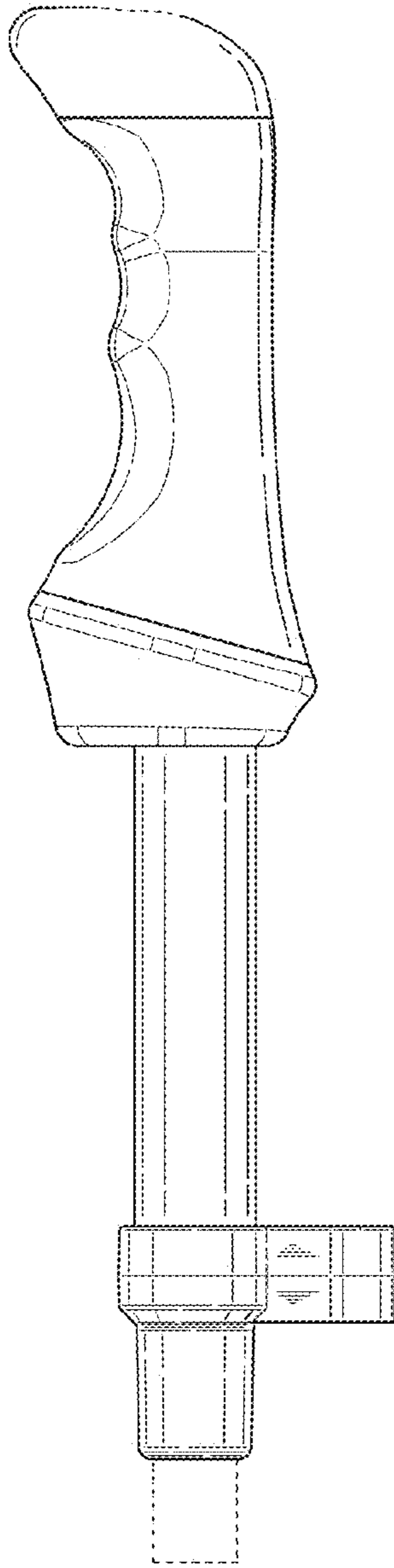
\* cited by examiner



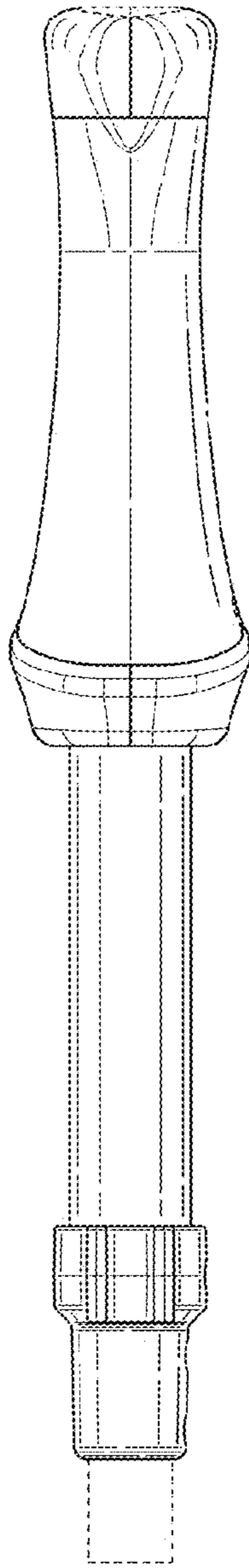
*FIG. 1*



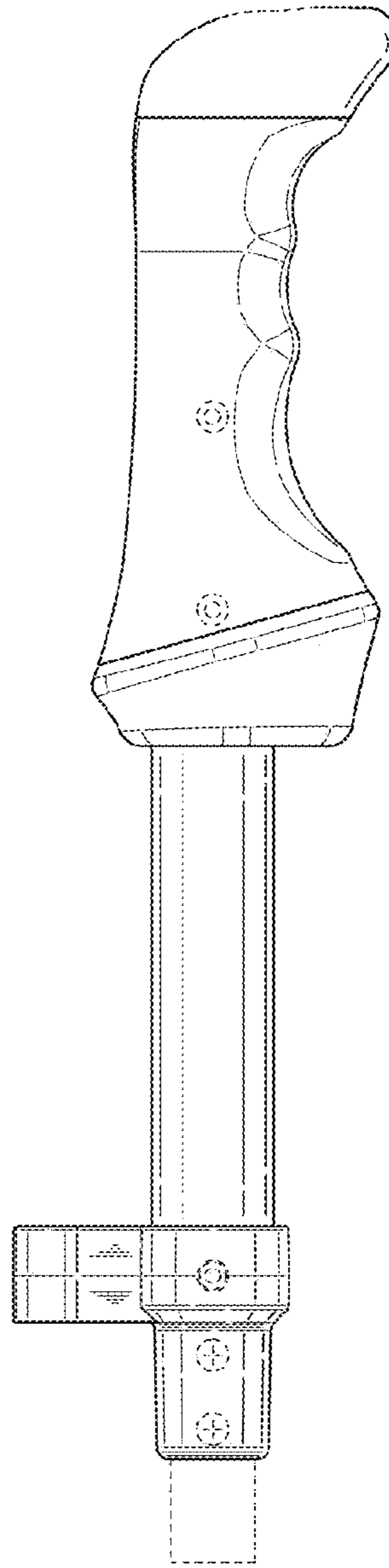
*FIG. 2*



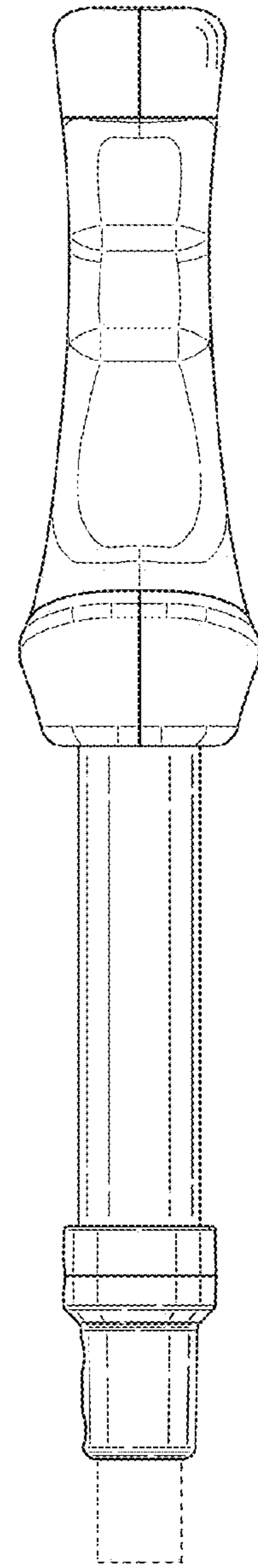
*FIG. 3*



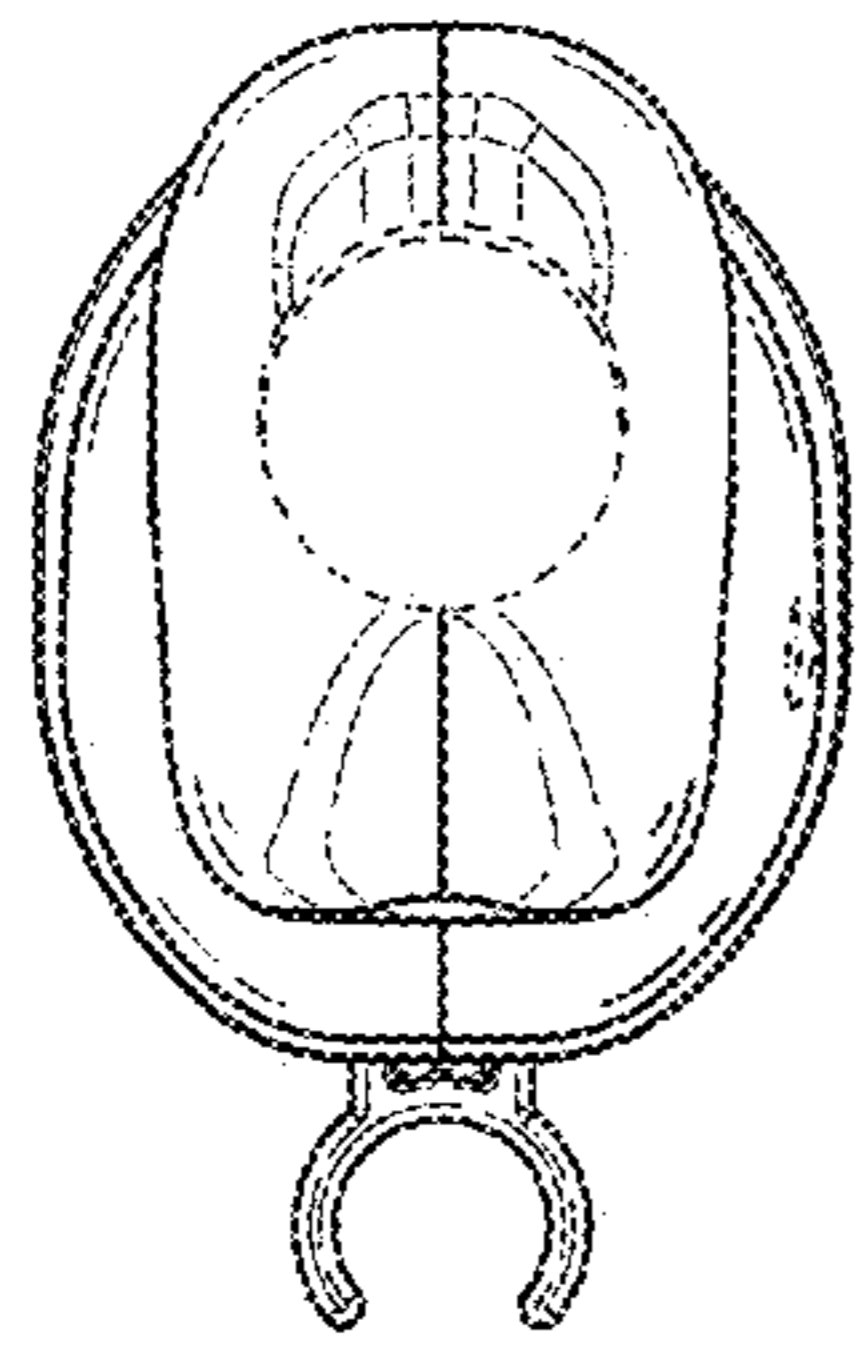
*FIG. 4*



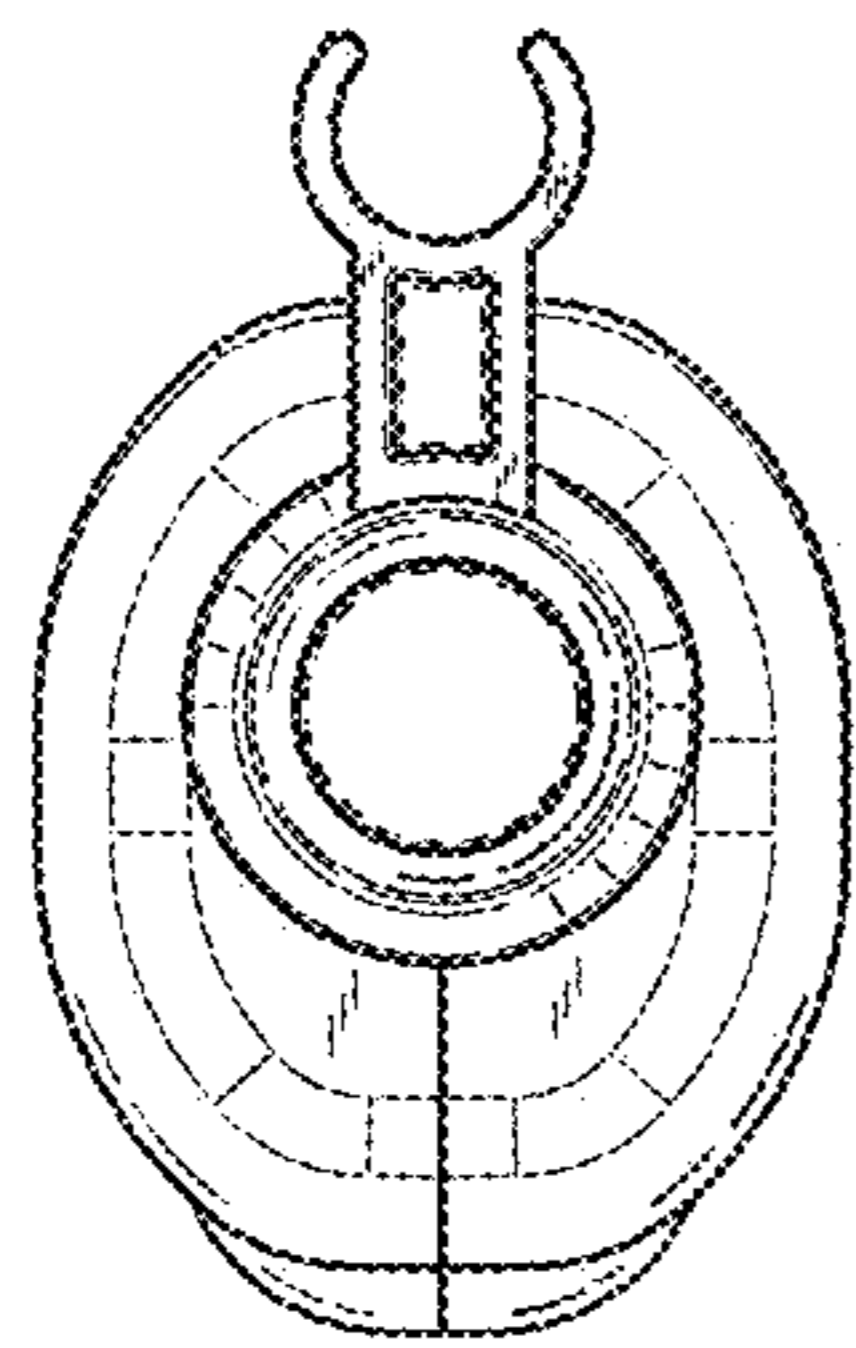
*FIG. 5*



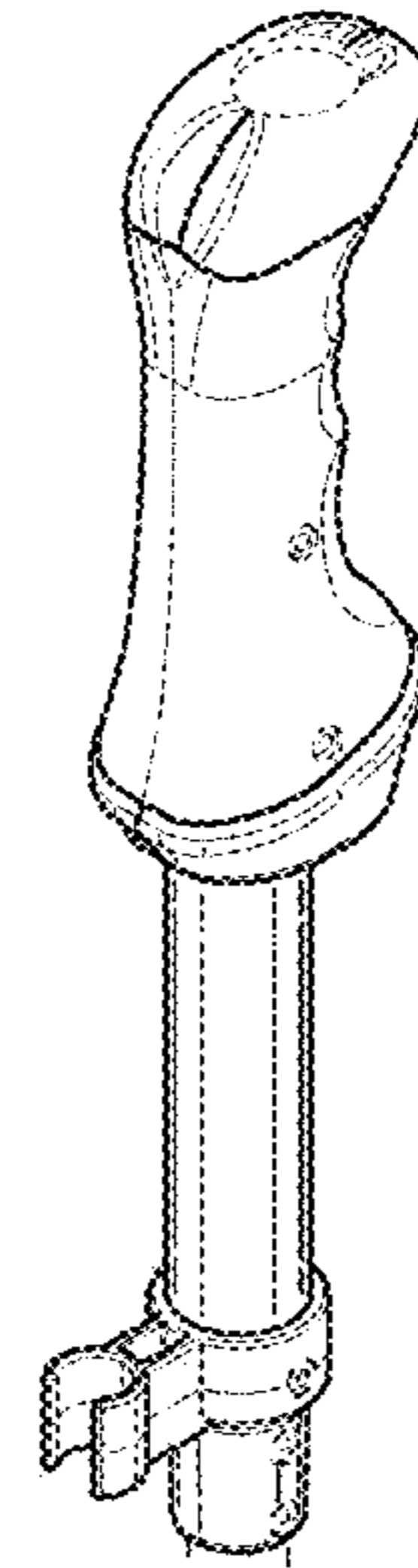
*FIG. 6*



*FIG. 7*



*FIG. 8*



*FIG. 9*