



US00D977800S

(12) **United States Design Patent** (10) **Patent No.:** **US D977,800 S**  
**McClaskie** (45) **Date of Patent:** **\*\* Feb. 14, 2023**

(54) **UPPER FOR A SHOE**  
(71) Applicant: **Columbia Insurance Company,**  
Omaha, NE (US)  
(72) Inventor: **Thomas McClaskie,** Bethlehem, PA  
(US)  
(\*\*) Term: **15 Years**  
(21) Appl. No.: **29/760,691**

D798,032 S \* 9/2017 McClaskie ..... D2/917  
D813,514 S \* 3/2018 McClaskie ..... A43B 7/146  
D2/971  
D814,763 S \* 4/2018 Issler ..... D2/971  
D814,771 S \* 4/2018 McClaskie ..... D2/971  
D816,967 S \* 5/2018 Beckett ..... D2/971  
D831,946 S \* 10/2018 Comeau ..... D2/969  
D885,738 S \* 6/2020 Beckett ..... D2/971  
D917,147 S \* 4/2021 Beckett ..... D2/971  
D936,940 S \* 11/2021 Sherman ..... D2/917  
D950,897 S \* 5/2022 Blondeau ..... D2/896

(Continued)

(22) Filed: **Dec. 3, 2020**  
(51) **LOC (14) Cl.** ..... **02-04**  
(52) **U.S. Cl.**  
USPC ..... **D2/969; D2/917**  
(58) **Field of Classification Search**  
USPC ..... D2/896, 918, 916, 925, 926, 927, 929,  
D2/935, 936, 939, 940, 941, 943, 944,  
D2/964, 965, 969, 971, 972, 919, 923,  
D2/917  
CPC ..... A43B 1/02; A43B 1/023; A43B 1/009;  
A43B 1/05; A43B 3/12; A43B 3/126;  
A43B 3/101; A43B 3/10; A43B 21/00;  
A43B 21/025; A43B 21/24; A43B 7/26  
See application file for complete search history.

**OTHER PUBLICATIONS**

Beekshop Website Peewee Toe Ring Sandal Reviewed Mar. 15,  
2022. Available at URL <https://www.beekshop.com/products/pewee-tan>  
(2022) (Year: 2022).\*

(Continued)

*Primary Examiner* — Jennifer L Watkins  
*Assistant Examiner* — Christine Tucci  
(74) *Attorney, Agent, or Firm* — IP Attorneys Group,  
LLC

(57) **CLAIM**

The ornamental design for an upper for a shoe, as shown and  
described.

(56) **References Cited**

**U.S. PATENT DOCUMENTS**

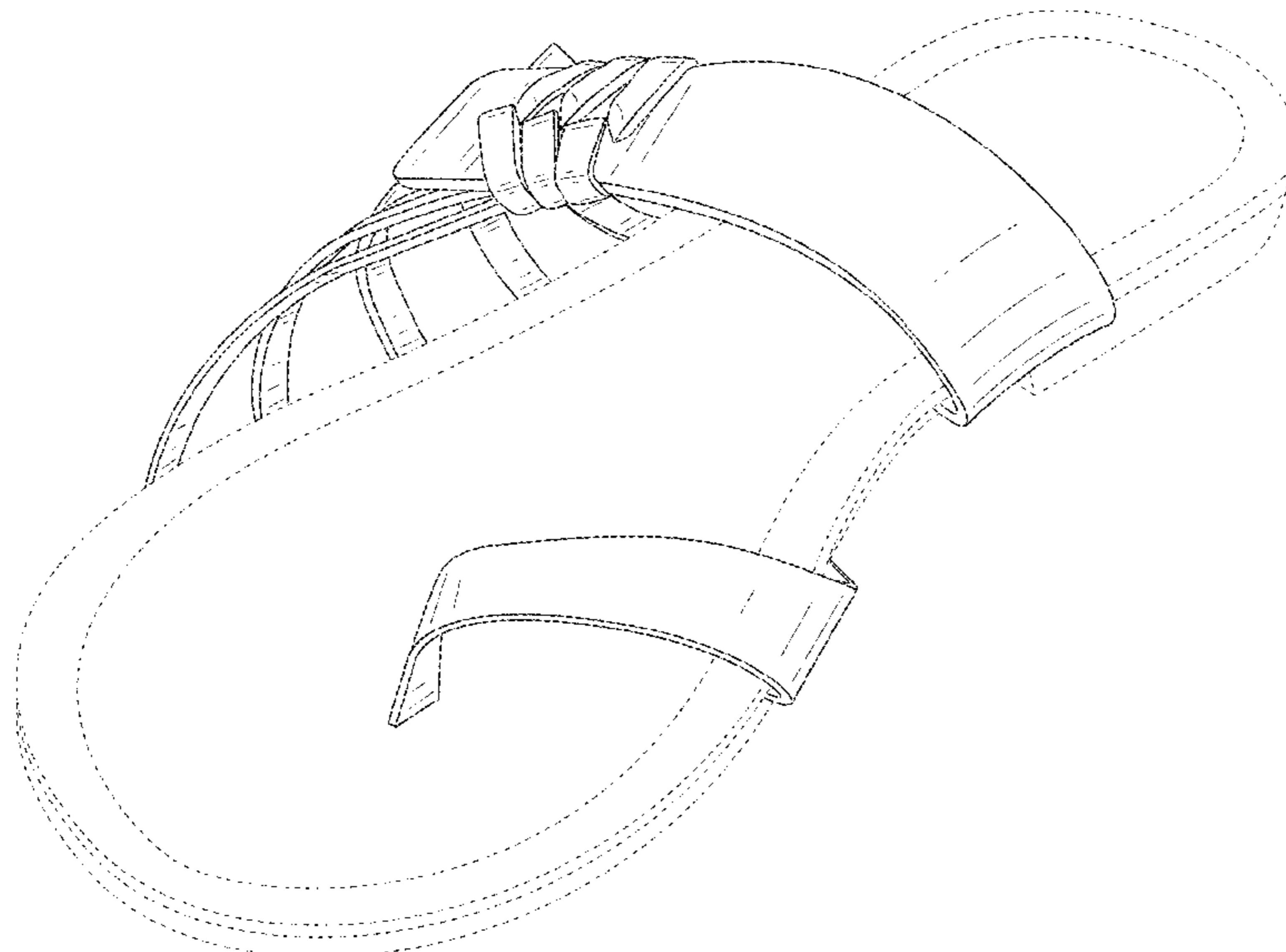
D253,139 S \* 10/1979 Foldes ..... A43B 3/126  
D2/916  
4,300,294 A \* 11/1981 Riecken ..... A43B 3/24  
36/97  
D418,280 S \* 1/2000 Kieler ..... A43B 7/26  
D2/918  
D546,032 S \* 7/2007 Issler ..... D2/917  
D554,833 S \* 11/2007 Barber ..... D2/917  
D649,750 S \* 12/2011 Weitzman ..... D2/917  
D672,122 S \* 12/2012 Beckett ..... D2/969  
D711,075 S \* 8/2014 Issler ..... D2/916  
D711,079 S \* 8/2014 Issler ..... D2/917  
D774,289 S \* 12/2016 Comeau ..... D2/917

**DESCRIPTION**

FIG. 1 is a perspective view of an upper for a shoe in  
accordance with my new design;  
FIG. 2 is a left side view thereof;  
FIG. 3 is a right side view thereof;  
FIG. 4 is a front view thereof;  
FIG. 5 is a back view thereof; and,  
FIG. 6 is a top view thereof.

The broken line showing of the sole of the shoe is for the  
purpose of illustrating environmental structure and forms no  
part of the claimed design.

**1 Claim, 4 Drawing Sheets**



(56)

**References Cited**

U.S. PATENT DOCUMENTS

2011/0061262 A1\* 3/2011 Krauss ..... A61F 5/14  
36/43  
2011/0179674 A1\* 7/2011 Heid ..... A43B 7/20  
36/11.5  
2020/0229531 A1\* 7/2020 Driscoll ..... A43B 3/122

OTHER PUBLICATIONS

Amazon HerStyle Donnoddi Women's Gladiator Sandal First Available Mar. 15, 2019. Available at URL [https://www.amazon.com/Herstyle-Donnoddi-Womens-Gladiator-Sandals/dp/B07J9ZGDKR/ref=sr\\_1\\_14?](https://www.amazon.com/Herstyle-Donnoddi-Womens-Gladiator-Sandals/dp/B07J9ZGDKR/ref=sr_1_14?) (2019) (Year: 2019).\*

Instagram Post featuring Blackbird Sandal by Beekbytwobirds dated May 14, 2021. Available at URL <https://www.instagram.com/p/CO4Qy-6BTUy/> (2021) (Year: 2021).\*

Nordstrom Jerusalem Benjamin Sandals reviewed Oct. 7, 2019. Available at URL <https://www.nordstrom.com/s/jerusalem-sandals-benjamin-sandal-women/5195017?> (2019) (Year: 2019).\*

\* cited by examiner

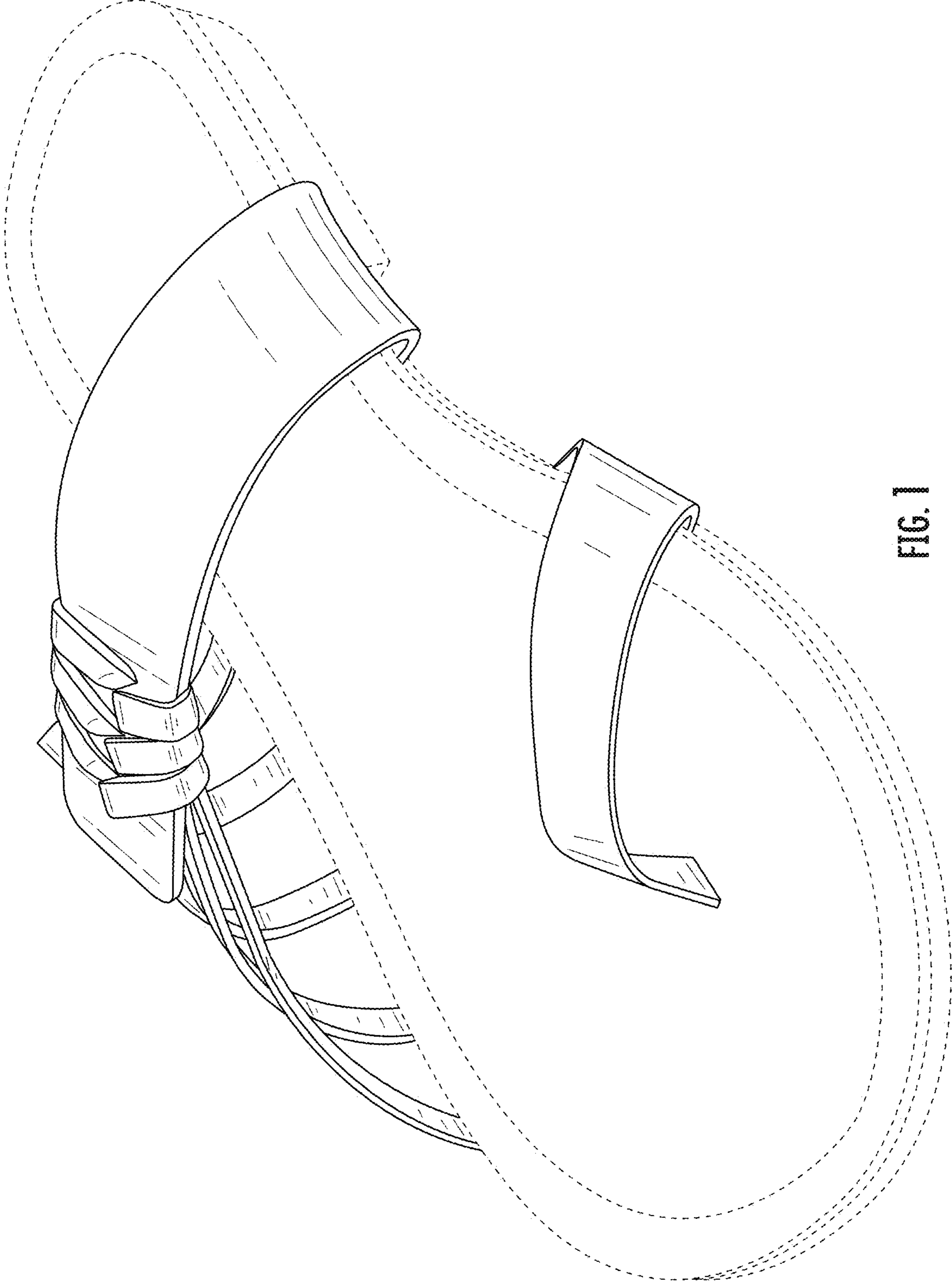


FIG. 1

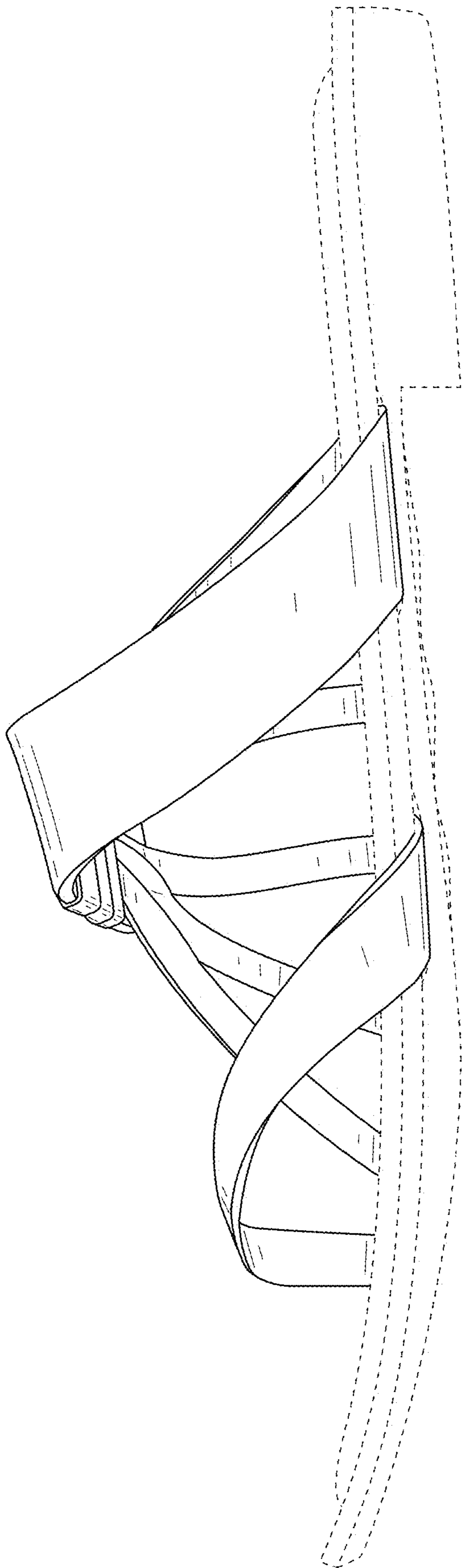


FIG. 2

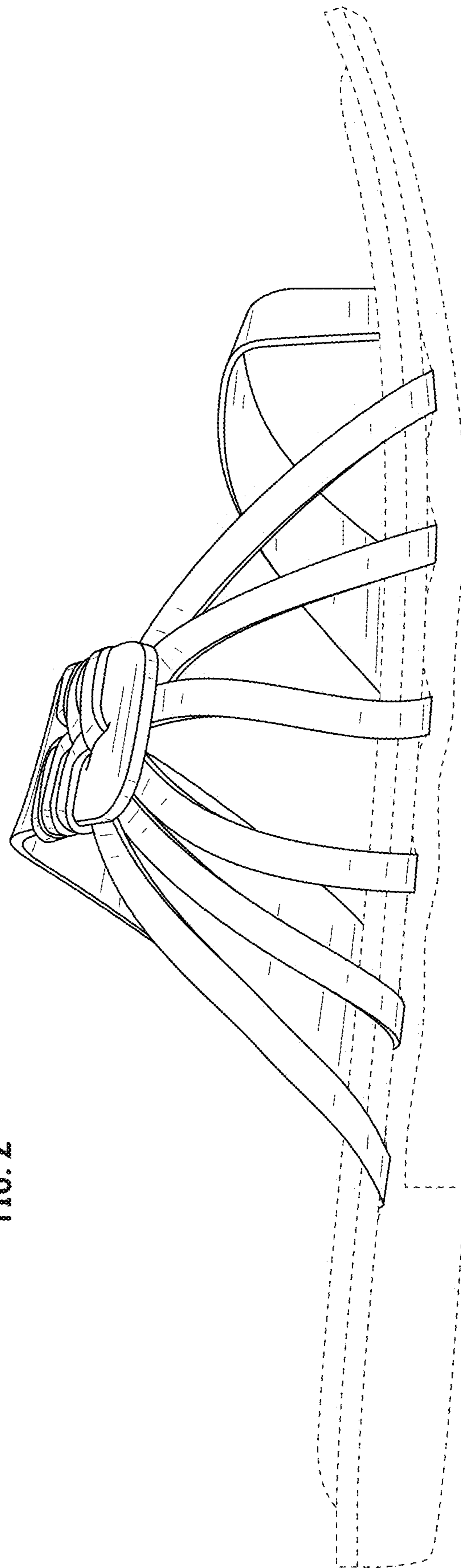


FIG. 3

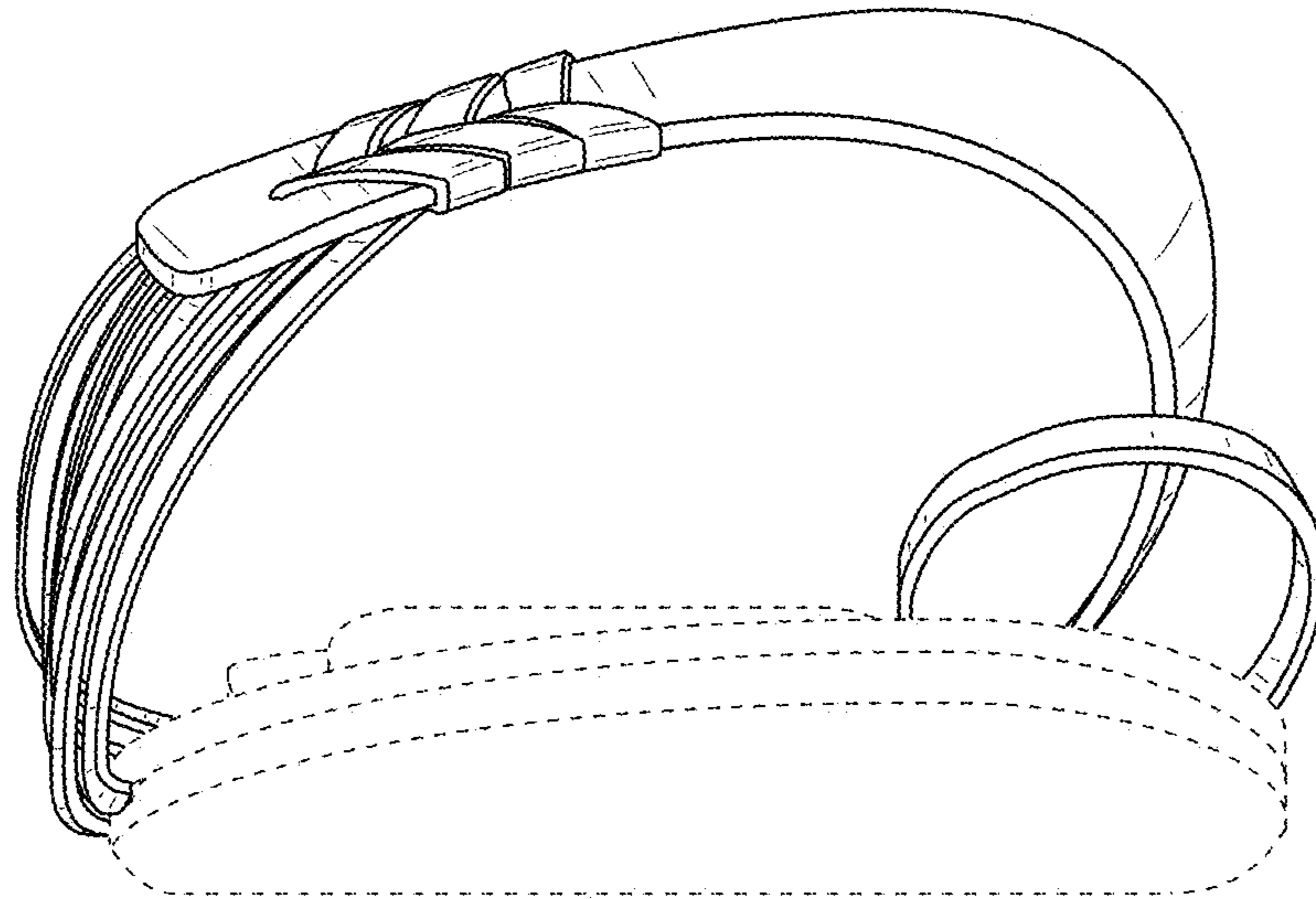


FIG. 4

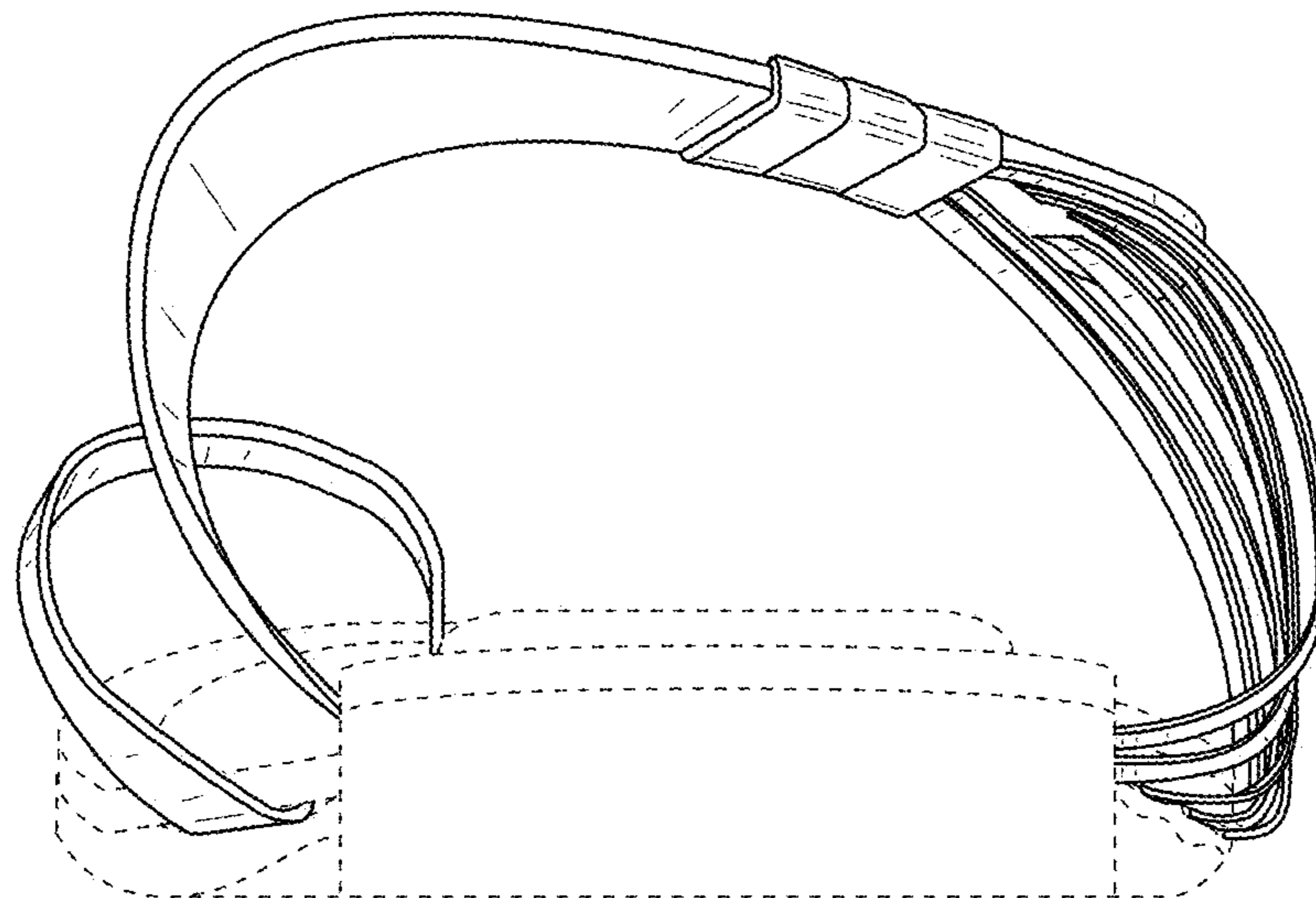


FIG. 5

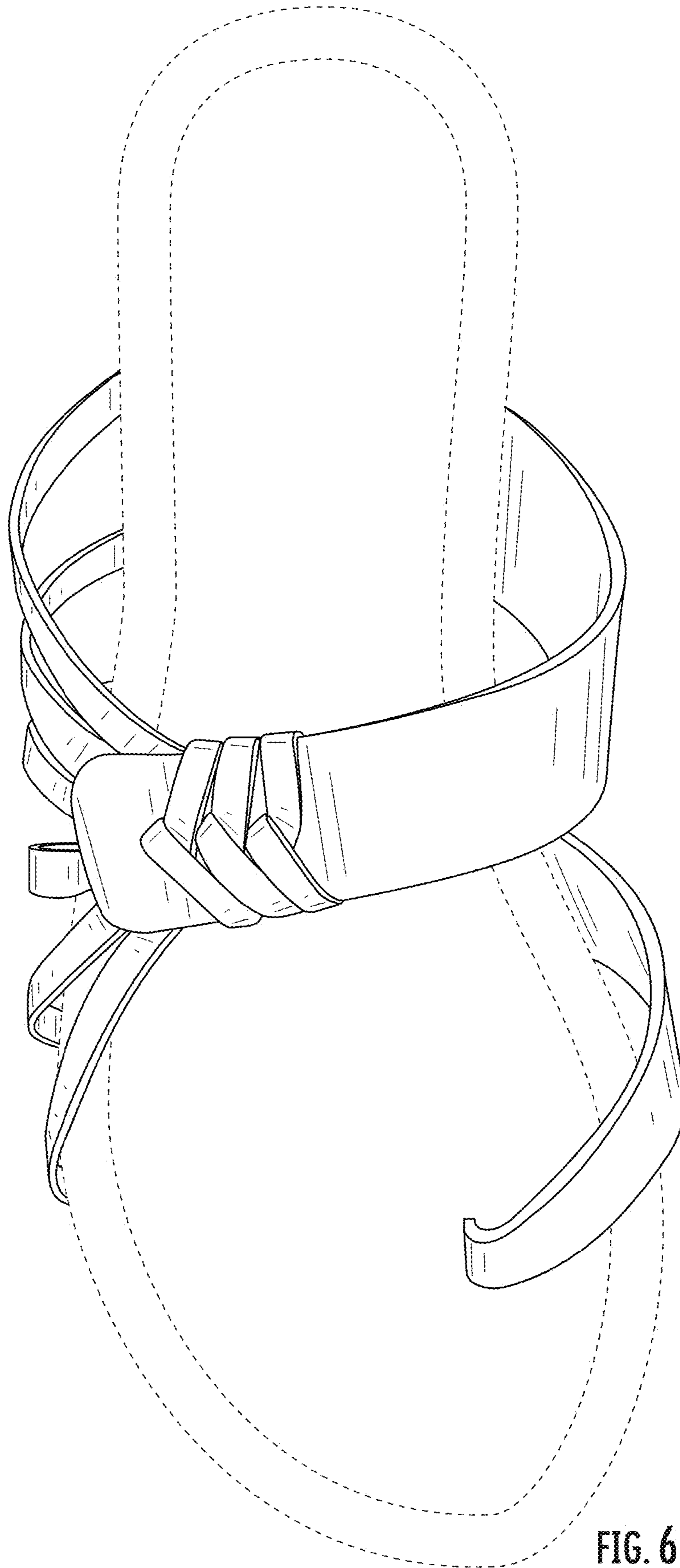


FIG. 6