



US00D977799S

(12) **United States Design Patent** (10) **Patent No.:** **US D977,799 S**  
**Macias** (45) **Date of Patent:** **\*\* Feb. 14, 2023**

(54) **STAR HEELED SHOE**  
(71) Applicant: **Parisis LLC**, Little Elm, TX (US)  
(72) Inventor: **Araceli Macias**, Little Elm, TX (US)  
(73) Assignee: **Parisis LLC**, Little Elm, TX (US)  
(\*\*) Term: **15 Years**  
(21) Appl. No.: **29/865,955**  
(22) Filed: **Aug. 22, 2022**  
(51) **LOC (14) Cl.** ..... **02-04**  
(52) **U.S. Cl.**  
USPC ..... **D2/965**  
(58) **Field of Classification Search**  
USPC ..... D2/897, 925, 926, 929-935, 937-945,  
D2/951, 952, 964-967  
CPC ..... A43B 13/00; A43B 13/02; A43B 13/04;  
A43B 13/12; A43B 13/14; A43B 13/122;  
A43B 13/023; A43B 13/026; A43B  
21/00; A43B 21/02; A43B 21/03; A43B  
21/20; A43B 21/24; A43B 21/025; A43B  
21/36  
See application file for complete search history.

(56) **References Cited**  
U.S. PATENT DOCUMENTS  
1,492,406 A \* 4/1924 Tobe ..... A43B 21/36  
36/35 R  
D105,912 S \* 8/1937 Wolsky ..... D2/966  
D112,337 S \* 11/1938 Elkin ..... D2/966  
D123,167 S \* 10/1940 Nutt ..... D2/966  
2,852,864 A \* 9/1958 Quirk ..... A43B 21/52  
D2/966  
D200,091 S \* 1/1965 Meredith ..... D2/952  
D216,663 S \* 3/1970 Ferragamo ..... D2/965  
D253,796 S \* 1/1980 Wechsler ..... D2/952  
D253,797 S \* 1/1980 Wechsler ..... D2/952  
D563,638 S 3/2008 Guers-Neyrud  
D580,642 S 11/2008 Guers-Neyraud  
D582,139 S 12/2008 Choi

D605,840 S \* 12/2009 Schwartz ..... D2/966  
D655,490 S \* 3/2012 LaRusso ..... D2/952  
D656,719 S \* 4/2012 Morris ..... D2/951  
(Continued)

**OTHER PUBLICATIONS**

Instagram post by @claireflowersshoes showing star heel caps. Post dated Dec. 5, 2018. Viewed Dec. 8, 2022. Available at URL <https://www.instagram.com/p/BrByjEQAXth/> (2018) (Year: 2018).\*  
(Continued)

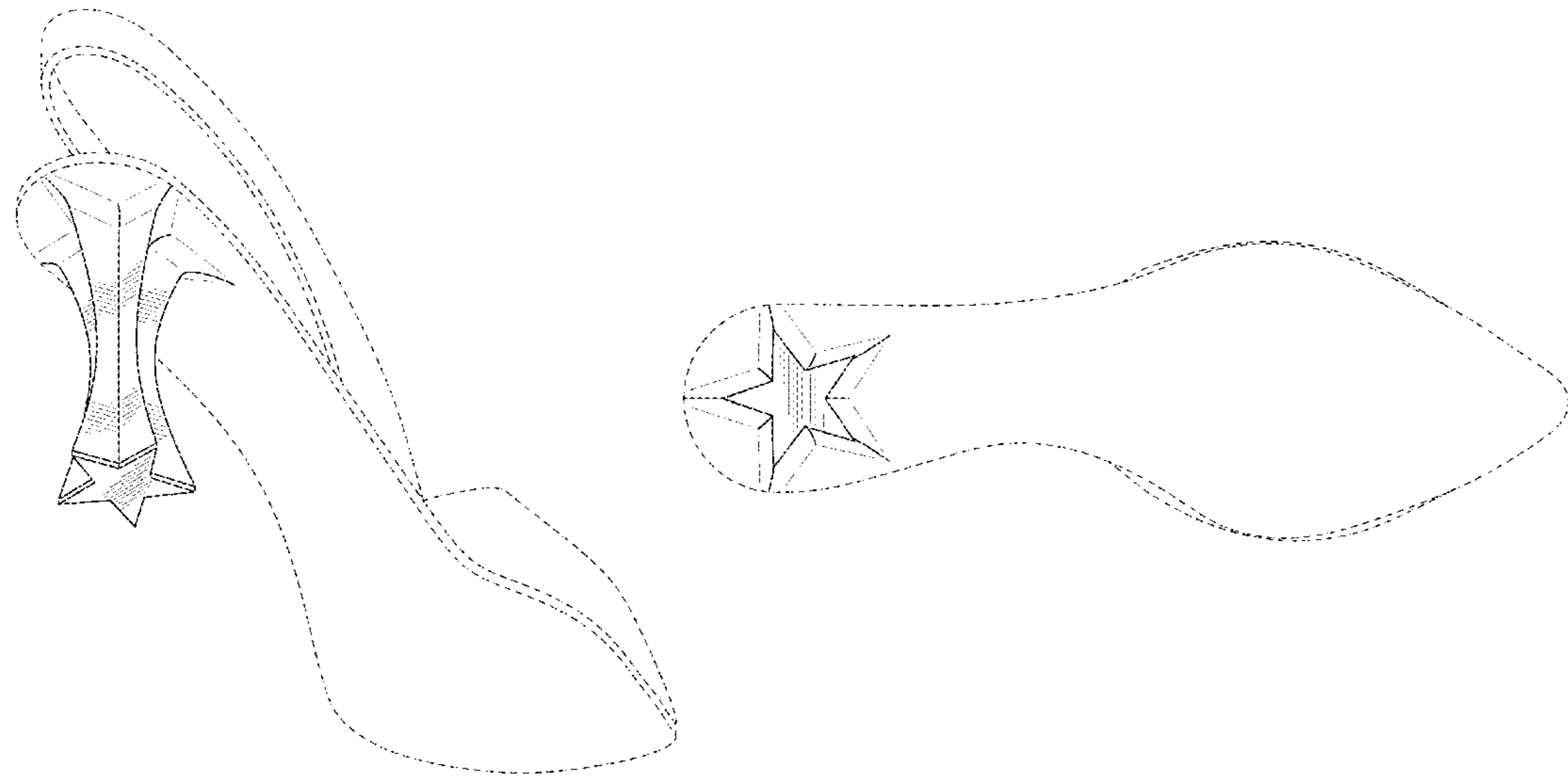
*Primary Examiner* — Jennifer L Watkins  
*Assistant Examiner* — Christine Tucci  
(74) *Attorney, Agent, or Firm* — MG Miller Intellectual Property Law LLC

(57) **CLAIM**  
The ornamental design for a star heeled shoe, as shown and described.

**DESCRIPTION**

FIG. 1 is a top perspective view of a star heeled shoe showing my new design.  
FIG. 2 is a bottom perspective view of a star heeled shoe shown in FIG. 1.  
FIG. 3 is a right side view of a star heeled shoe shown in FIG. 1.  
FIG. 4 is a left side view of a star heeled shoe shown in FIG. 1.  
FIG. 5 is a back view of a star heeled shoe shown in FIG. 1.  
FIG. 6 is a front view of a star heeled shoe shown in FIG. 1.  
FIG. 7 is a top view of a star heeled shoe shown in FIG. 1; and,  
FIG. 8 is a bottom view of a star heeled shoe shown in FIG. 1.  
The broken lines contained herein show portions of the star heeled shoe that form no part of the claim.

**1 Claim, 7 Drawing Sheets**



(56)

**References Cited**

U.S. PATENT DOCUMENTS

D668,856 S 10/2012 Garrett et al.  
D743,683 S \* 11/2015 Flowers ..... D2/965  
D770,738 S \* 11/2016 Choi ..... D2/939  
D780,416 S \* 3/2017 Huang ..... D2/951  
D964,719 S \* 9/2022 Pu ..... A43B 21/36  
D2/966  
2014/0290100 A1\* 10/2014 Flowers ..... A43B 21/02  
12/146 B

OTHER PUBLICATIONS

Amazon listing for “Katy Perry Women’s The Star Heeled Sandal”  
date first available Feb. 17, 2021. Viewed Dec. 8, 2022. Available  
at URL <https://www.amazon.com/Katy-Perry-Womens-Heeled-Sandal/dp/B08WV1K7R5?th=1> (2021) (Year: 2021).\*

Amazon Youyaa store listing for “Women’s Closed Square Toe  
Chunky Block High Heeled Slip On Dress Pumps” date first  
available Jul. 28, 2021. Dec. 8, 2022. Available at URL <https://www.amazon.com/Womens-Closed-Square-Chunky-Heeled/dp/B09C5YVSLD> (2021) (Year: 2021).\*

\* cited by examiner

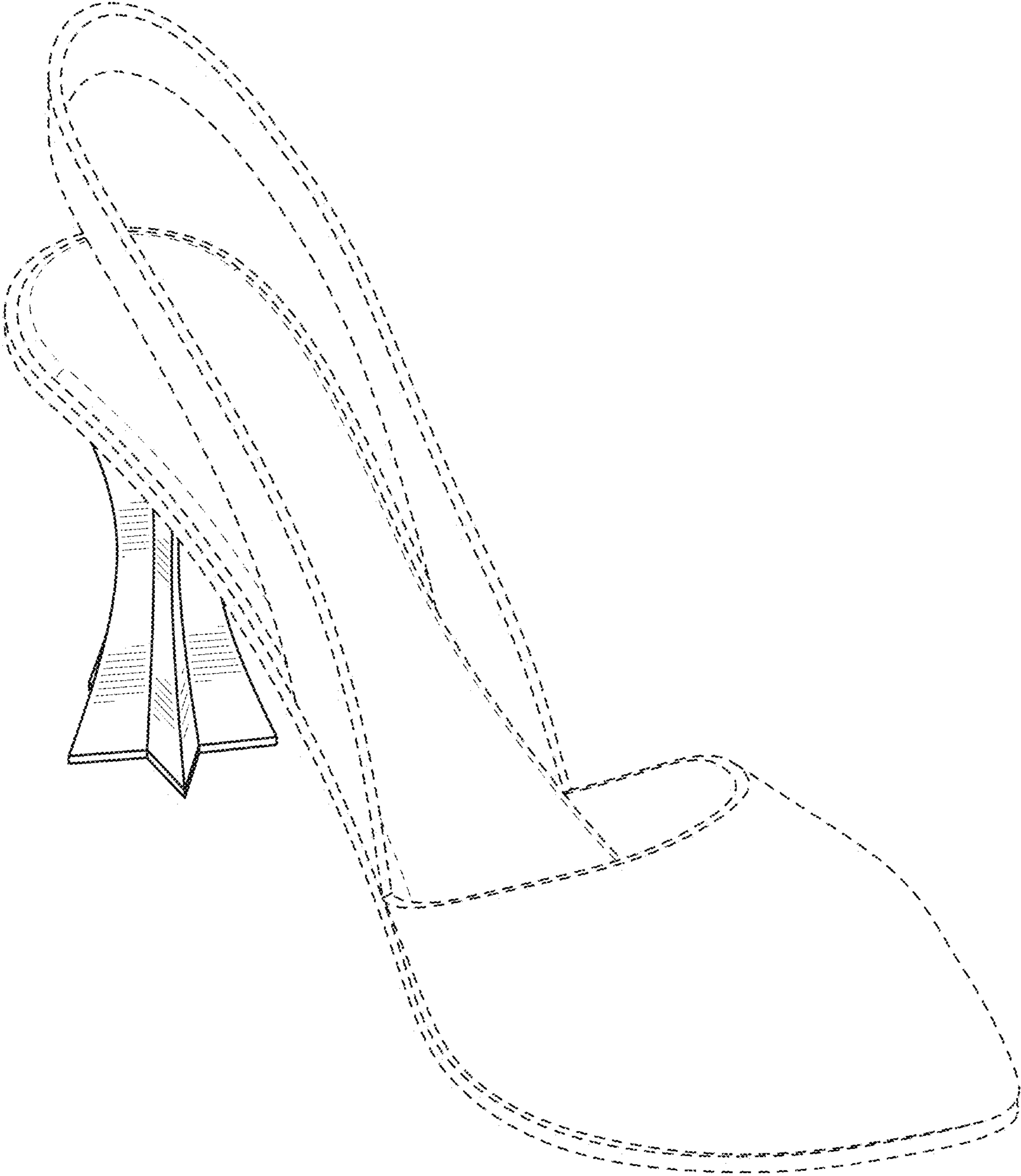


FIG. 1

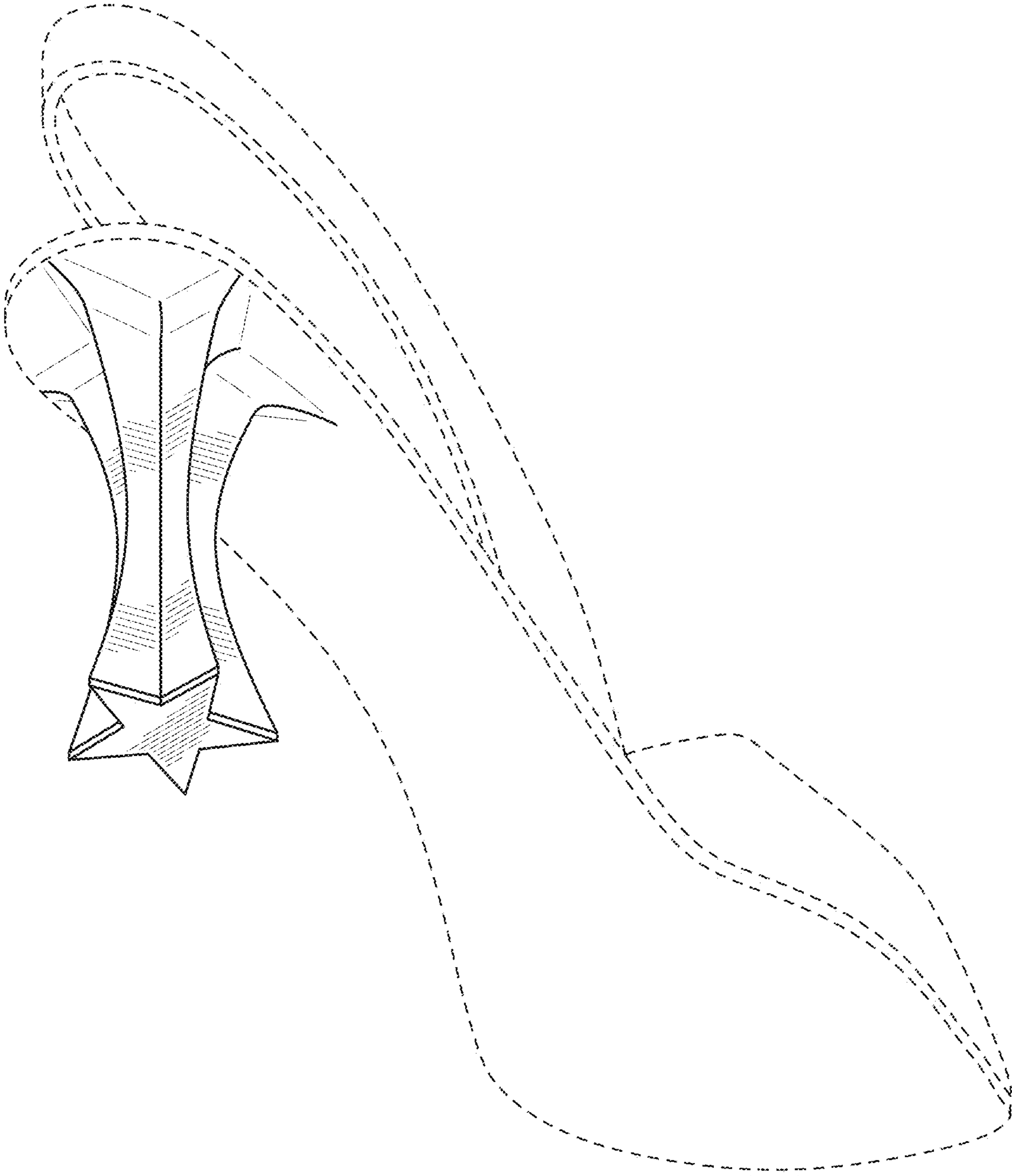


FIG. 2

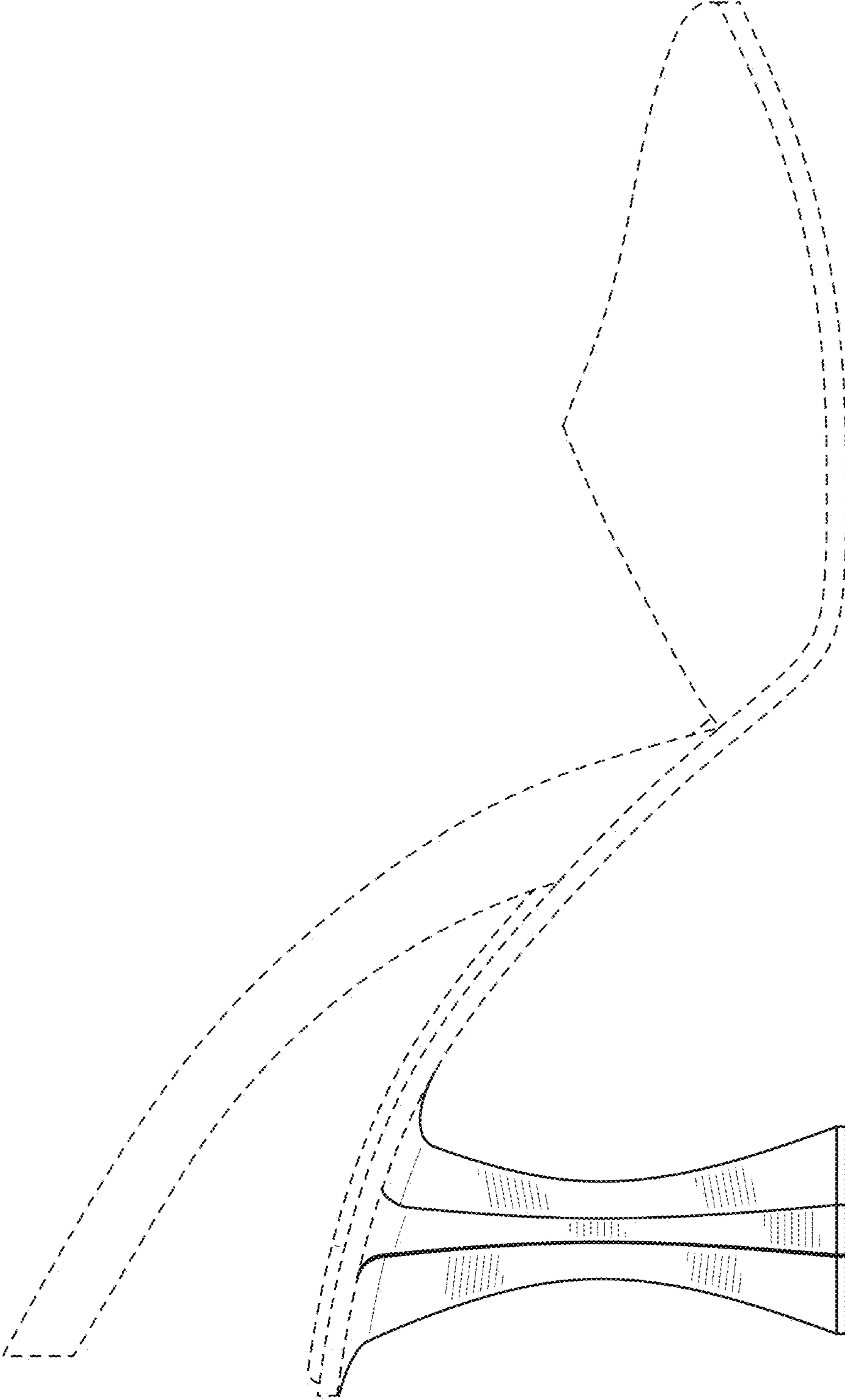


FIG. 3

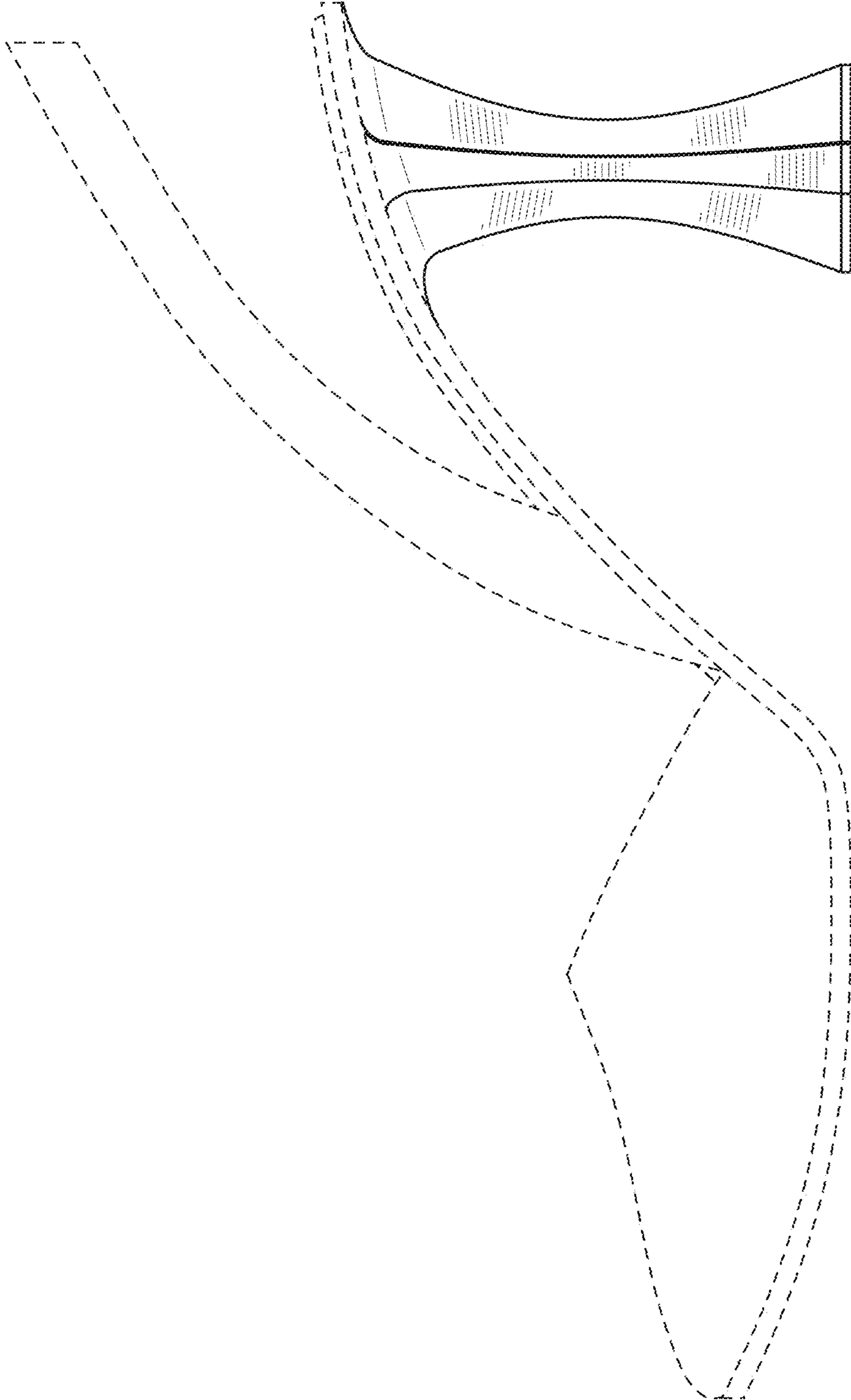


FIG. 4

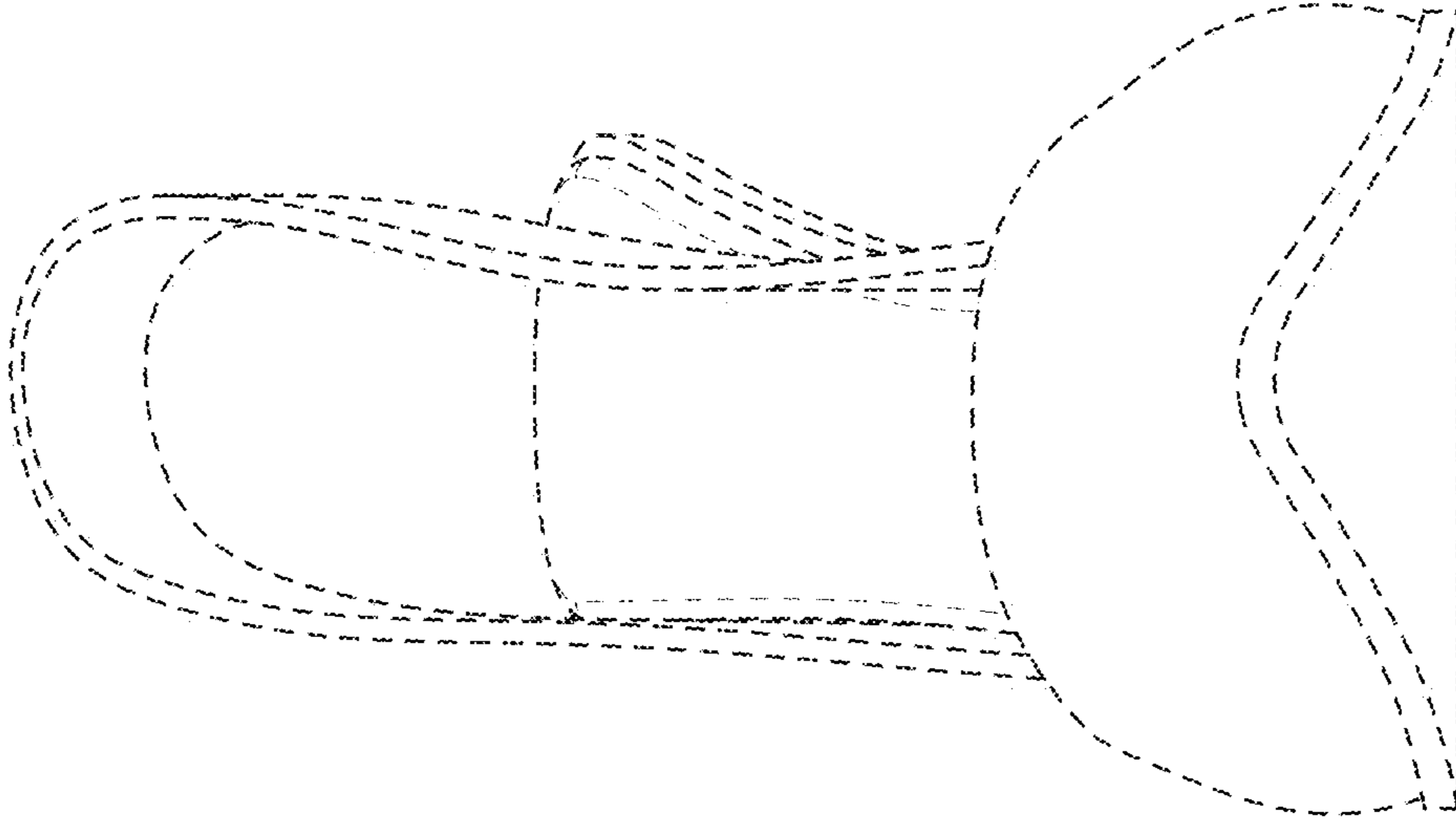


FIG. 6

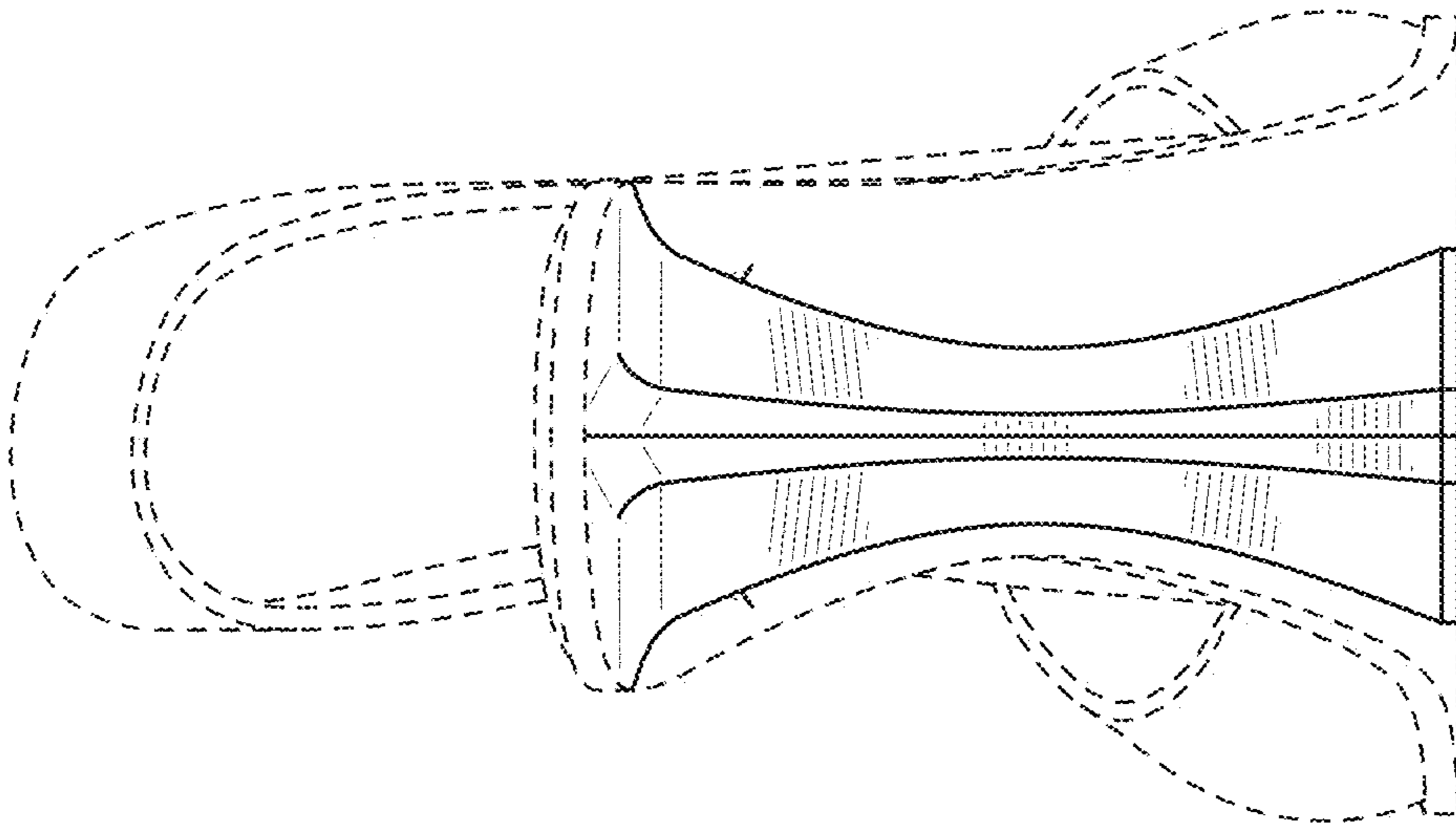


FIG. 5

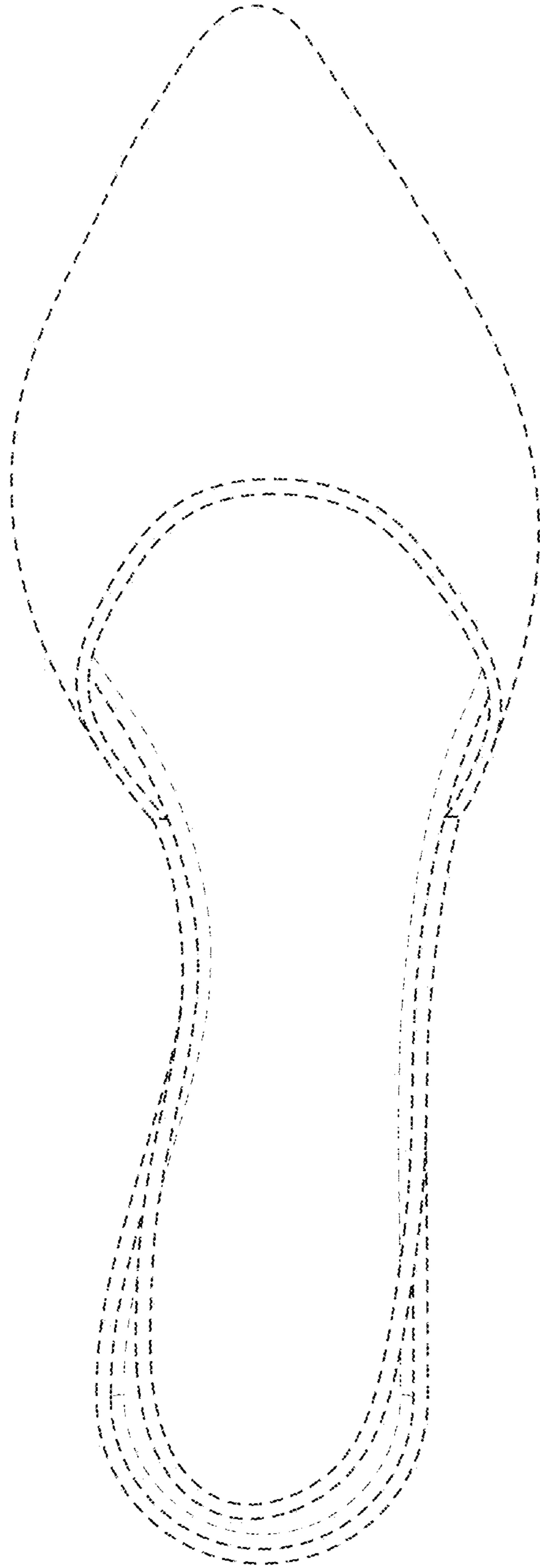


FIG. 7



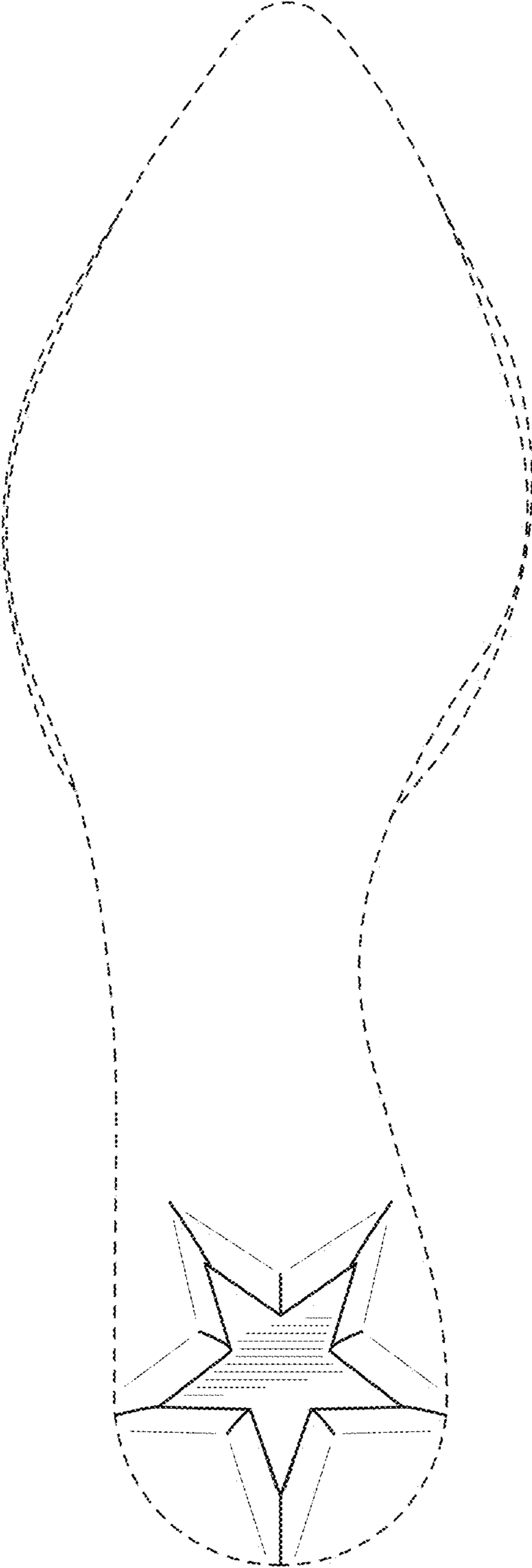


FIG. 8