



US00D977786S

(12) **United States Design Patent** (10) **Patent No.:** **US D977,786 S**
Liu (45) **Date of Patent:** **** Feb. 14, 2023**

(54) **HEATING VEST**

(71) Applicant: **Shenzhen Shanniao Electronics Co., Ltd.**, Shenzhen (CN)

(72) Inventor: **Yumei Liu**, Shenzhen (CN)

(73) Assignee: **SHENZHEN SHANNIAO ELECTRONICS CO., LTD.**, Shenzhen (CN)

(**) Term: **15 Years**

(21) Appl. No.: **29/824,669**

(22) Filed: **Jan. 26, 2022**

(51) **LOC (14) Cl.** **02-02**

(52) **U.S. Cl.**
USPC **D2/828**; D2/829

(58) **Field of Classification Search**
USPC D29/100, 101.1, 101.4; D2/750,
D2/828-831; D21/805
CPC ... A41D 1/04; A41D 13/0012; A41D 13/0051
See application file for complete search history.

(56) **References Cited**

U.S. PATENT DOCUMENTS

D689,262 S *	9/2013	Passman	D2/829
D694,474 S *	11/2013	Barker	D29/101.4
D909,012 S	2/2021	Yong		
D912,940 S	3/2021	Yong		
D924,488 S *	7/2021	Driessen	D29/101.4
D958,496 S *	7/2022	Russell	D2/828
2014/0026288 A1 *	1/2014	Passman	A41D 27/20 2/102
2018/0235290 A1 *	8/2018	Pfanner	A41D 15/002
2019/0200739 A1 *	7/2019	Green Mullins	..	A41D 13/0012

OTHER PUBLICATIONS

Heated Vest, reviewed 2020 [online], (retrieved Aug. 25, 2022). Retrieved from the internet, <https://www.amazon.com/Heated-Charging-Electric-Warmer-Hunting/dp/B08FWYR2RD?th=1> (Year: 2020).*

Electric Washable USB Charging Heated Vest, posted NA [online], (retrieved Aug. 25, 2022). Retrieved from the internet, <https://www.geekbuying.com/item/Electric-Washable-USB-Charging-Heated-Vest-Size-M-Black-420543.html> (Year: NA).*
VVD Heated Vest, reviewed Oct. 22, 2021 [online], (retrieved Aug. 25, 2022). Retrieved from the internet, https://www.amazon.com/VVD-Battery-Upgraded-Jacket-8-Washable/dp/B09CTNNQ89/ref=asc_df_B09CTNNQ89/?tag=hyprod-20&linkCode=df0&h%E2%80%A6=undefined&th=1 (Year: 2021).*

* cited by examiner

Primary Examiner — Kevin K Rudzinski

Assistant Examiner — J. Thorn, Sr.

(74) *Attorney, Agent, or Firm* — Justin Lampel

(57) **CLAIM**

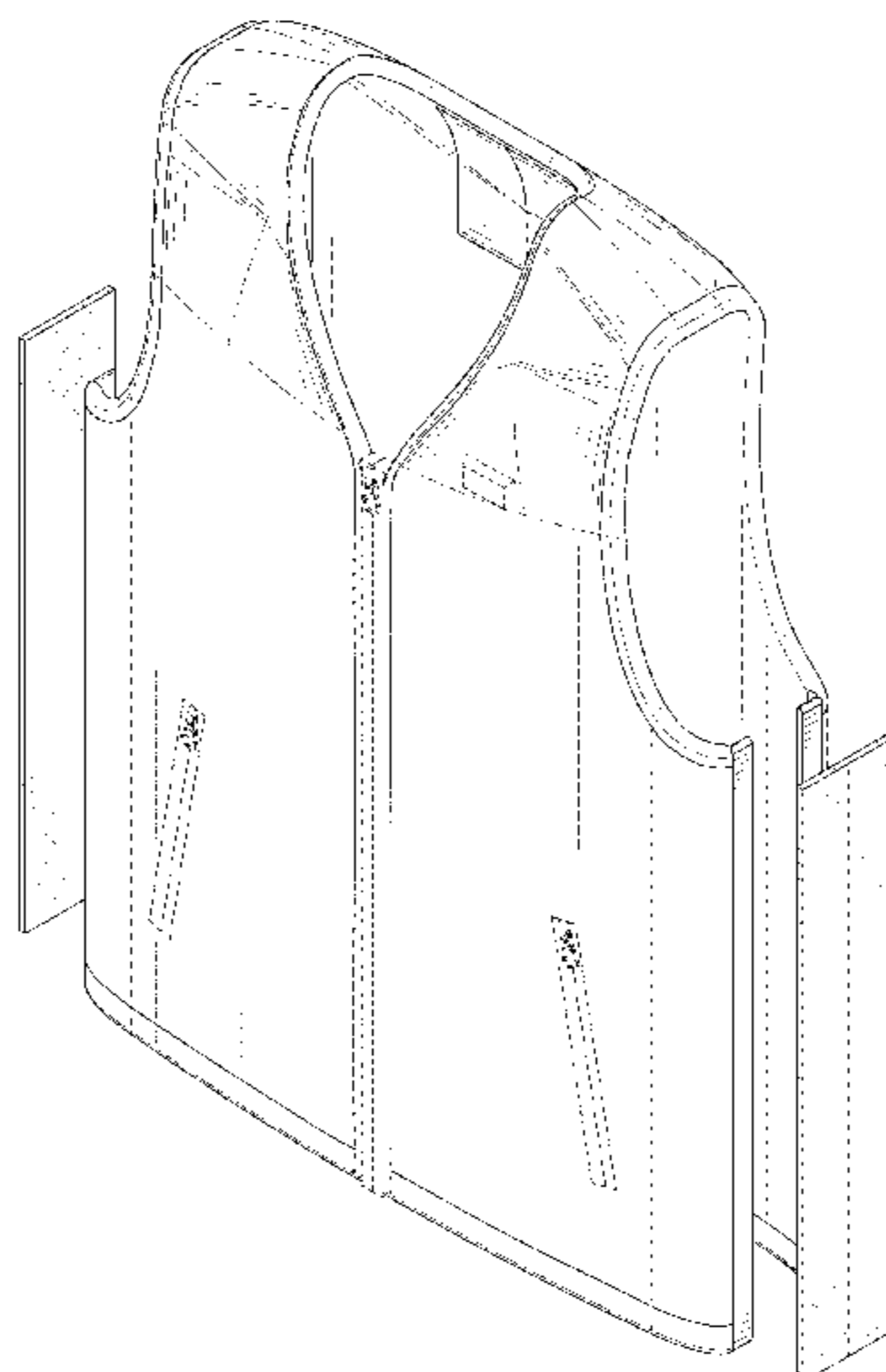
The ornamental design for a heating vest, as shown and described.

DESCRIPTION

FIG. 1 is a front, right, and top perspective view of a heating vest, showing my design.
FIG. 2 is a rear, left, and bottom perspective view thereof.
FIG. 3 is a front elevation view thereof.
FIG. 4 is a rear elevation view thereof.
FIG. 5 is a left side elevation view thereof.
FIG. 6 is a right side elevation view thereof.
FIG. 7 is a top plan view thereof.
FIG. 8 is a bottom plan view thereof.
FIG. 9 is a perspective view thereof; with the side panels affixed;
FIG. 10 is a perspective view of a heating vest, shown in a second embodiment; and,
FIG. 11 is a perspective view of a heating vest, shown in a third embodiment.

The broken lines shown in the drawings are included for the purpose of illustrating portions of the heating vest that form no part of the claimed design.

1 Claim, 11 Drawing Sheets



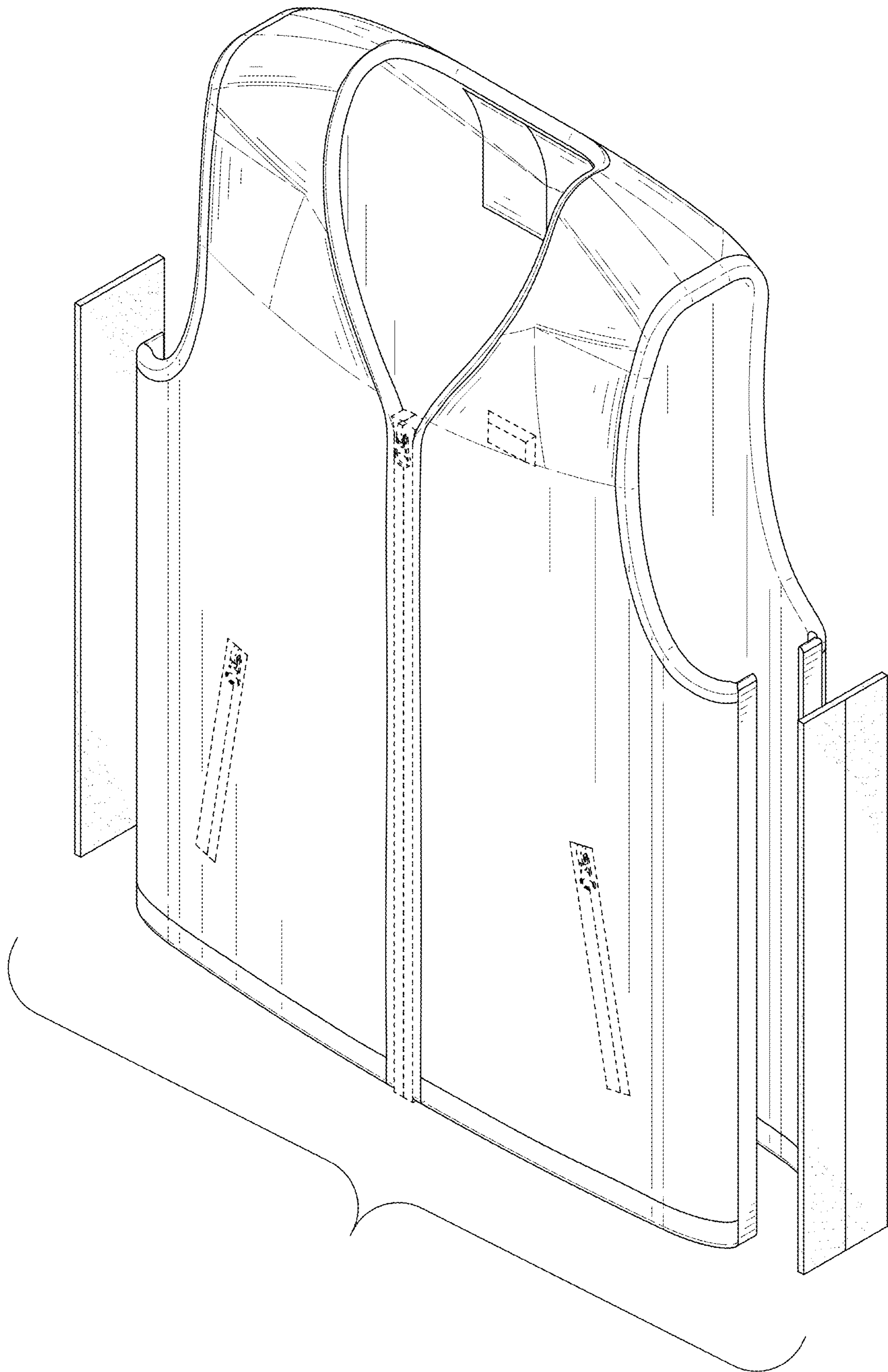


FIG. 1

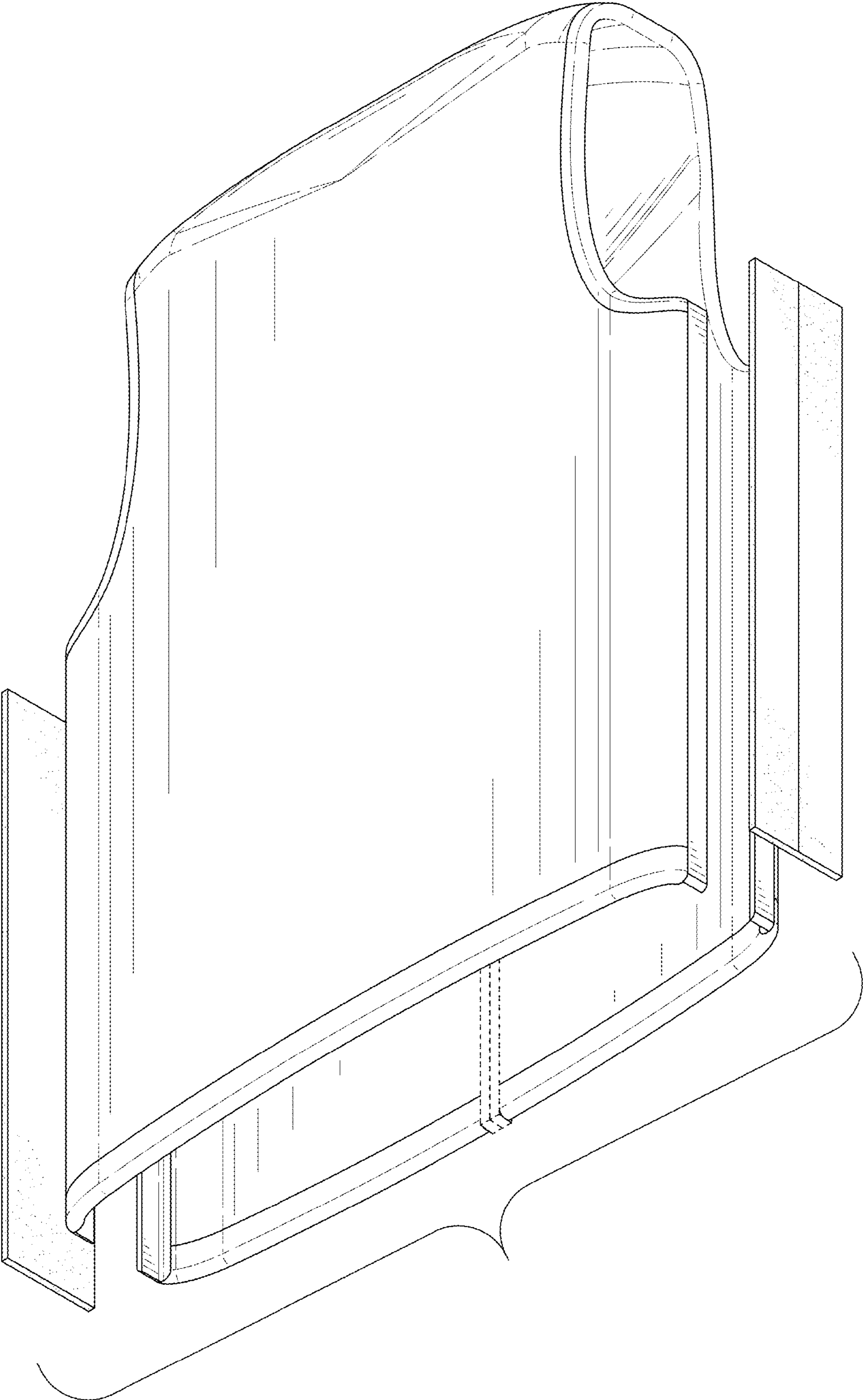


FIG. 2

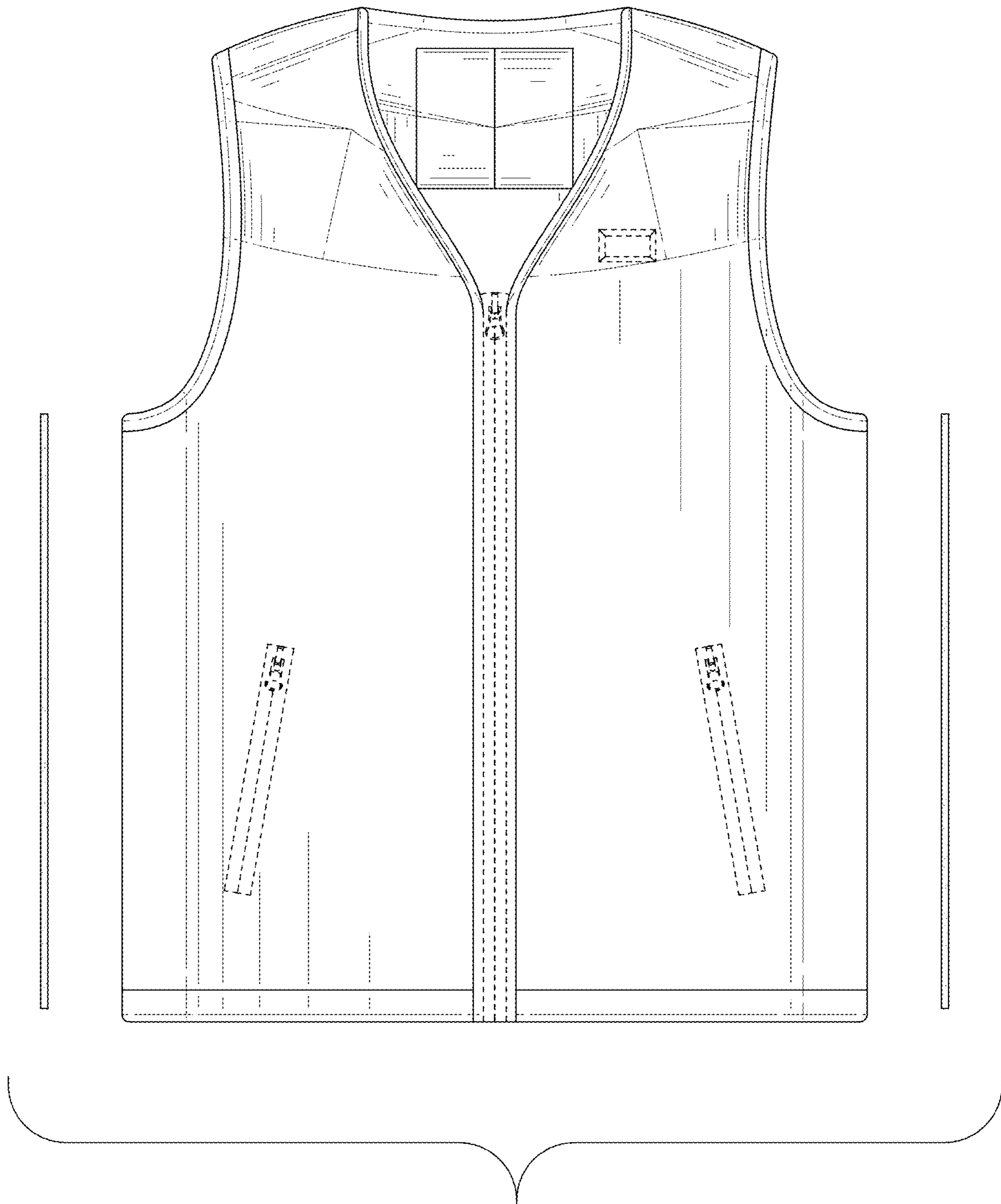


FIG. 3

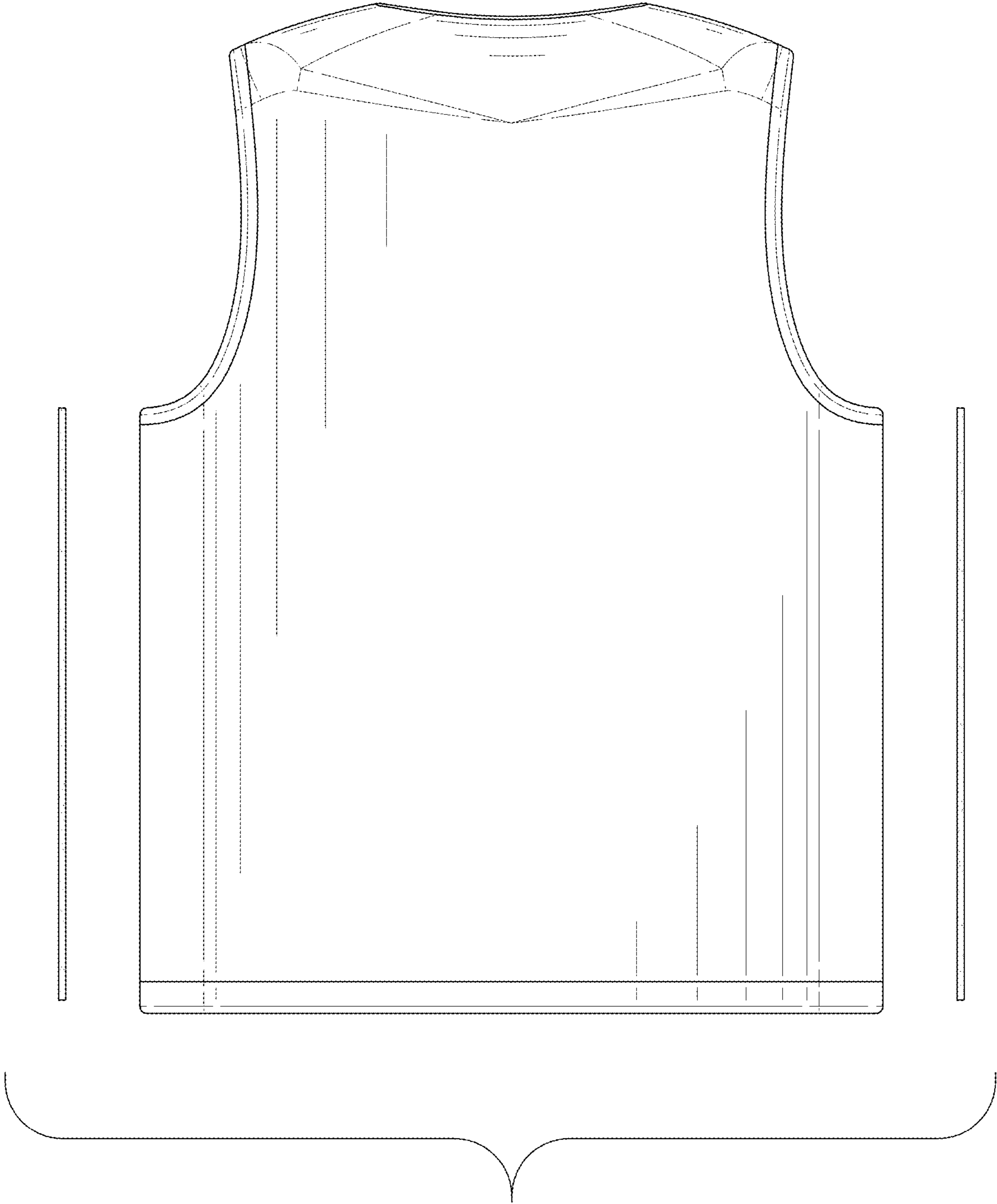


FIG. 4

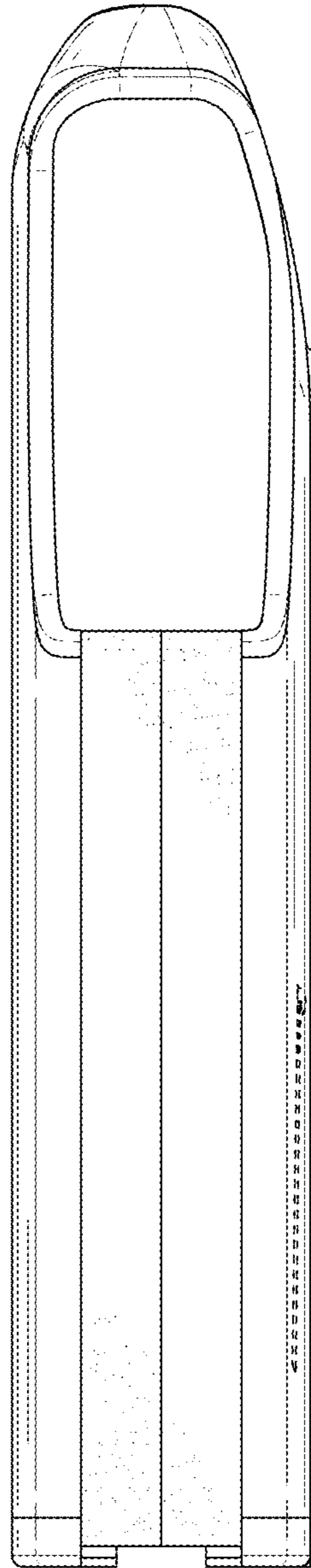


FIG. 5

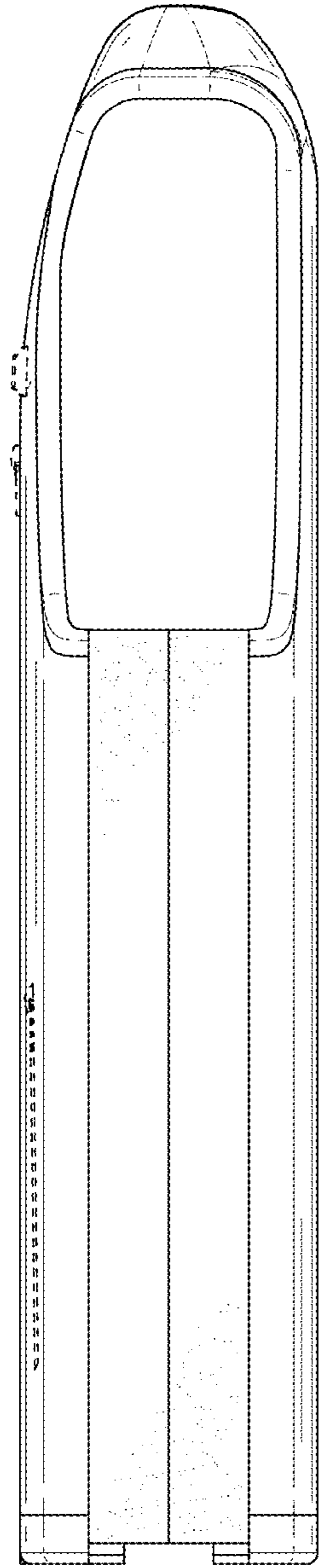


FIG. 6

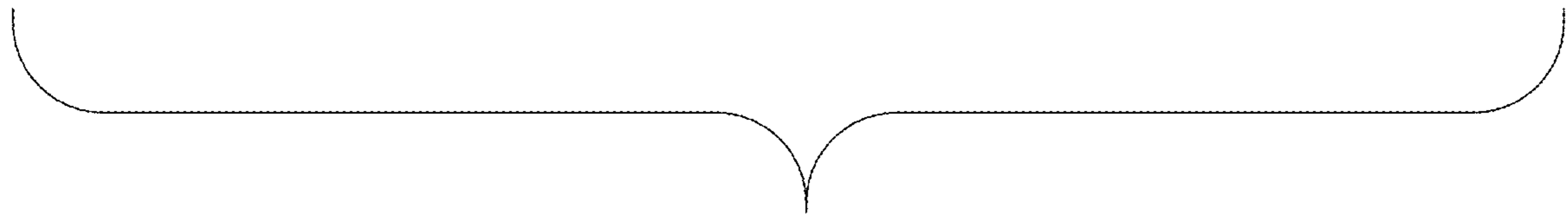
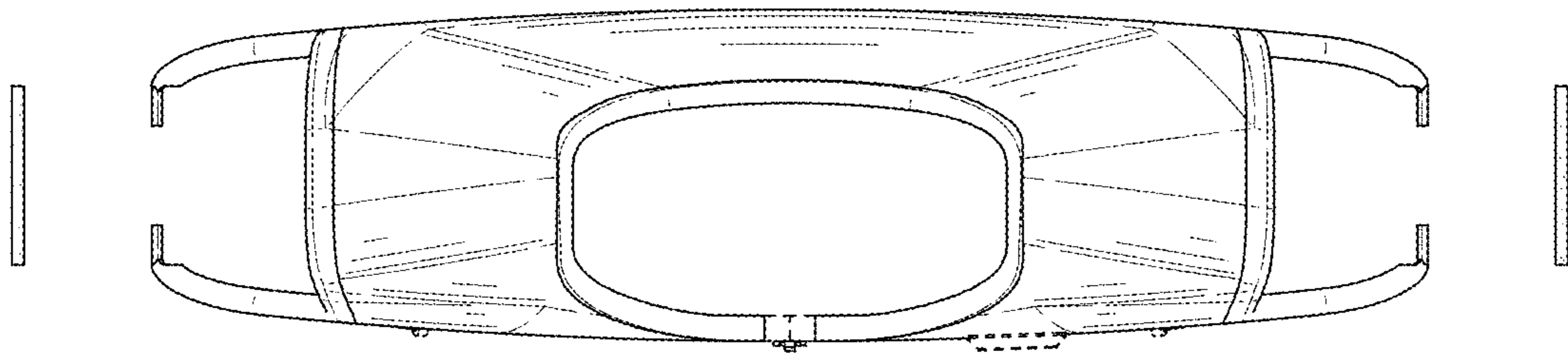


FIG. 7

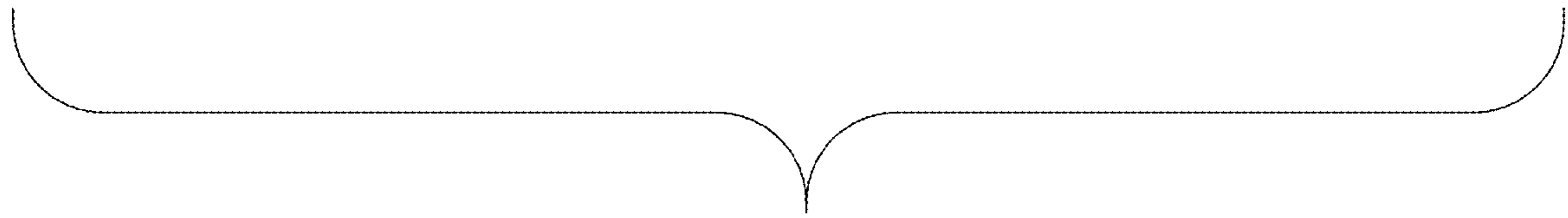
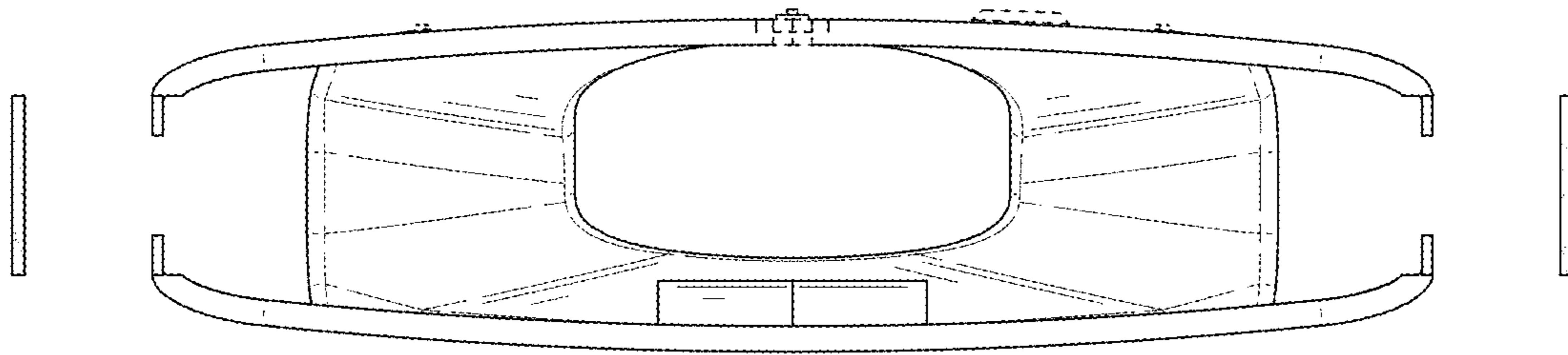


FIG. 8

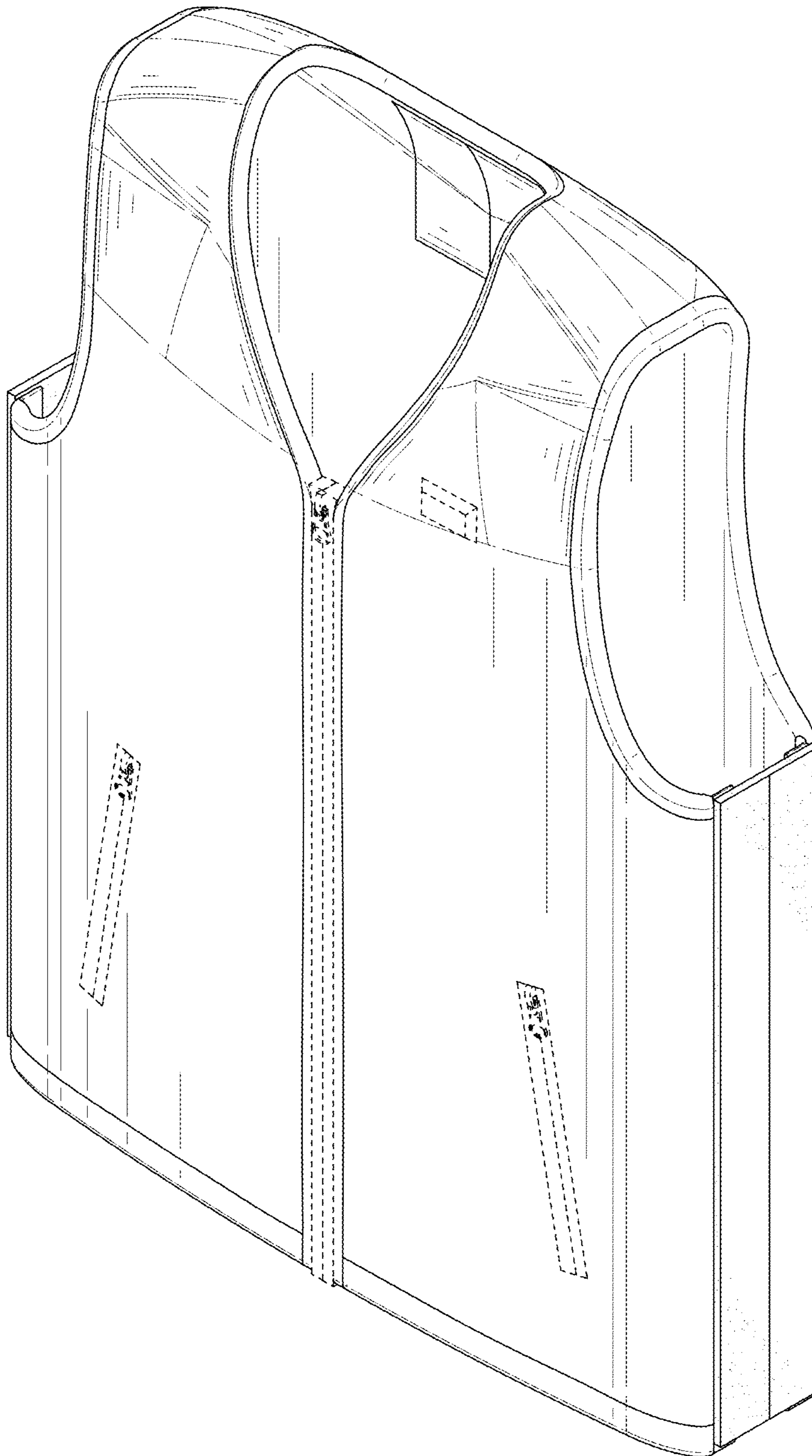


FIG. 9

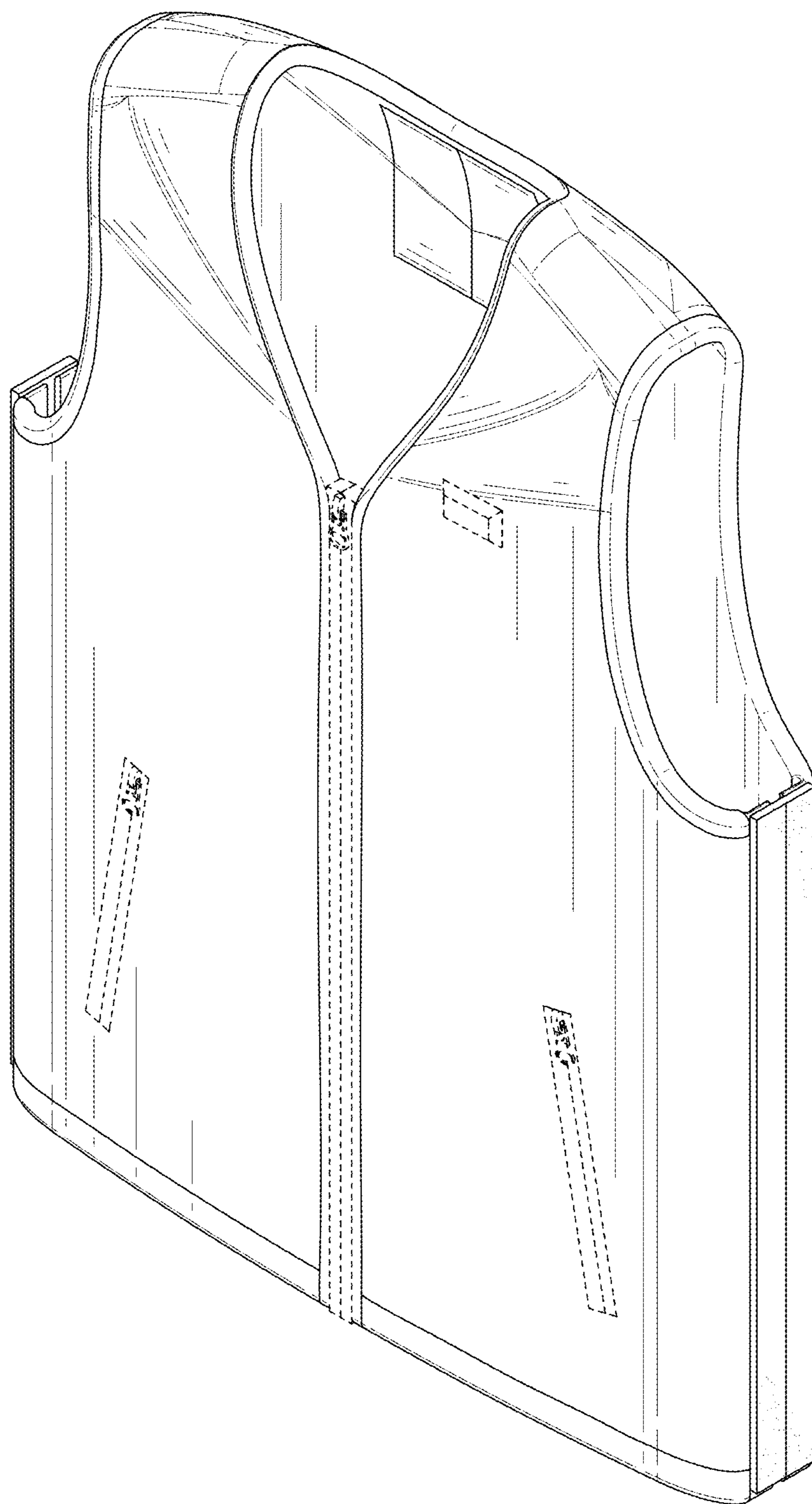


FIG. 10

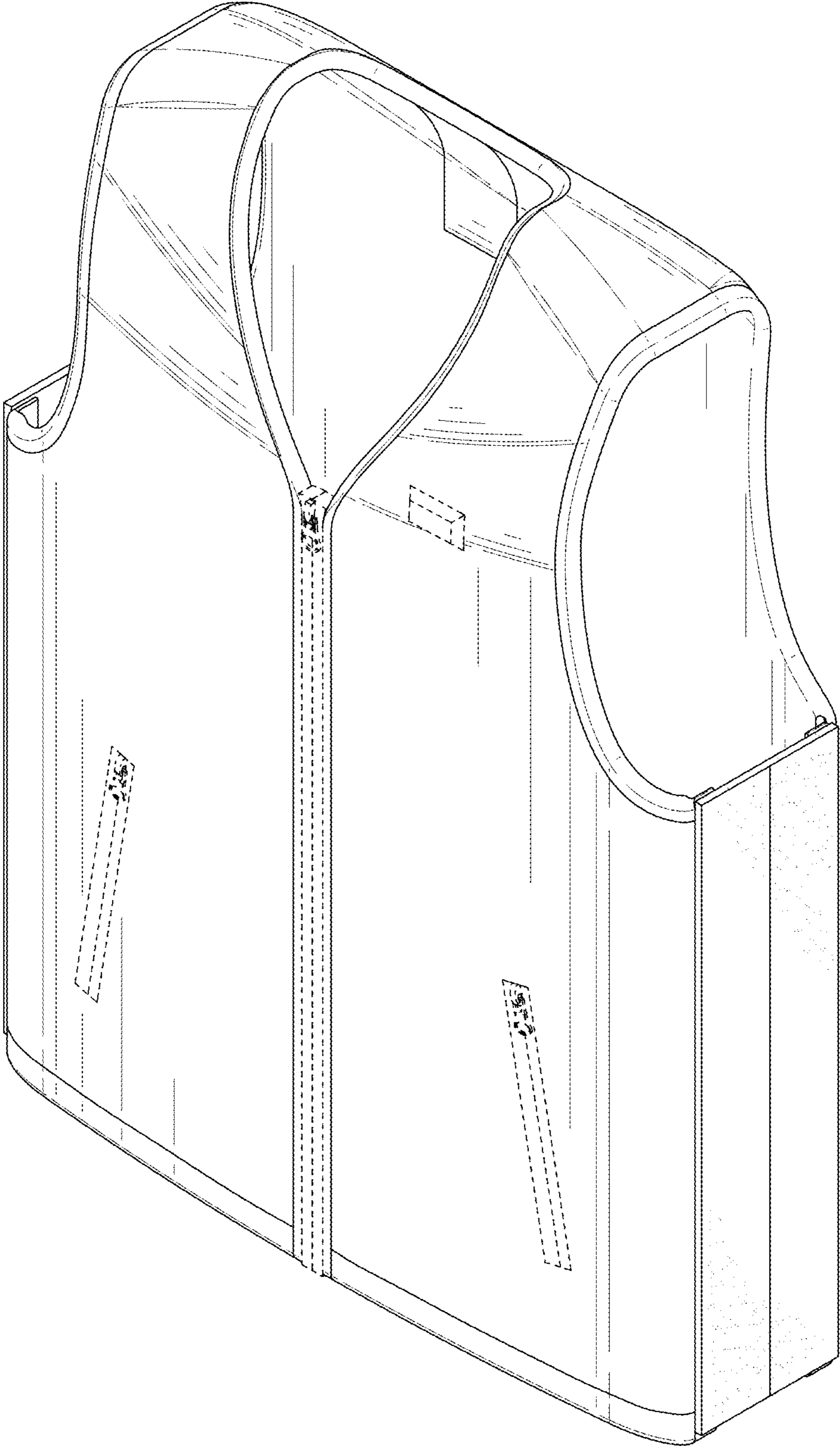


FIG. 11