



US00D977777S

(12) **United States Design Patent** (10) **Patent No.:** **US D977,777 S**
Hung (45) **Date of Patent:** **** Feb. 7, 2023**

(54) **MECHANIC'S CREEPER**

(71) Applicant: **MVP (H.K.) Industries Limited**, Hong Kong (CN)

(72) Inventor: **Victor Hung**, Taipei (TW)

(73) Assignee: **MVP (H.K.) INDUSTRIES LIMITED**, Hong Kong (CN)

(**) Term: **15 Years**

(21) Appl. No.: **29/784,662**

(22) Filed: **May 20, 2021**

(51) **LOC (14) Cl.** **12-02**

(52) **U.S. Cl.**
USPC **D34/23**

(58) **Field of Classification Search**
USPC D34/12, 14, 16, 17, 18, 23, 24, 27, 28;
D29/124; D12/128, 133
CPC B25H 3/00; B25H 5/00; A61G 1/056
See application file for complete search history.

(56) **References Cited**

U.S. PATENT DOCUMENTS

D242,909 S *	1/1977	Miller	D34/23
D325,799 S *	4/1992	Chen	D34/23
D354,599 S *	1/1995	Young	D34/12
D371,662 S *	7/1996	Vosbikian	D34/23
D406,684 S *	3/1999	Pool	D34/23
D570,572 S *	6/2008	Whiteside	D34/23
D856,621 S *	8/2019	Liu	D34/23

FOREIGN PATENT DOCUMENTS

GB 6209654 * 5/2022

OTHER PUBLICATIONS

Pittsburgh, announced Nov. 2020 [online], [site visited Sep. 21, 2022]. Avail from int, URL: <https://www.harborfreight.com/300-lb-capacity-low-profile-creeper-black-57312.html> (Year: 2020).*

Gearwrench, announced 2022 [online], [site visited Sep. 21, 2022]. Avail from int, URL: <https://www.msdirect.com/product/details/11858214#target4> (Year: 2022)*

Ironton, announced 2022 [online], [site visited Sep. 21, 2022]. Avail from int, URL: https://www.northerntool.com/shop/tools/product_200937685_200937685 (Year: 2022).*

Omega, announced Jul. 2018 [online], [site visited Sep. 21, 2022]. Avail from int, URL: <https://www.amazon.com/Omega-91900-Plastic-Creeper/dp/B07FYDFHNS> (Year: 2018).*

* cited by examiner

Primary Examiner — Cynthia Ramirez

Assistant Examiner — Tamara L Hahn

(74) *Attorney, Agent, or Firm* — Christensen O'Connor Johnson Kindness PLLC

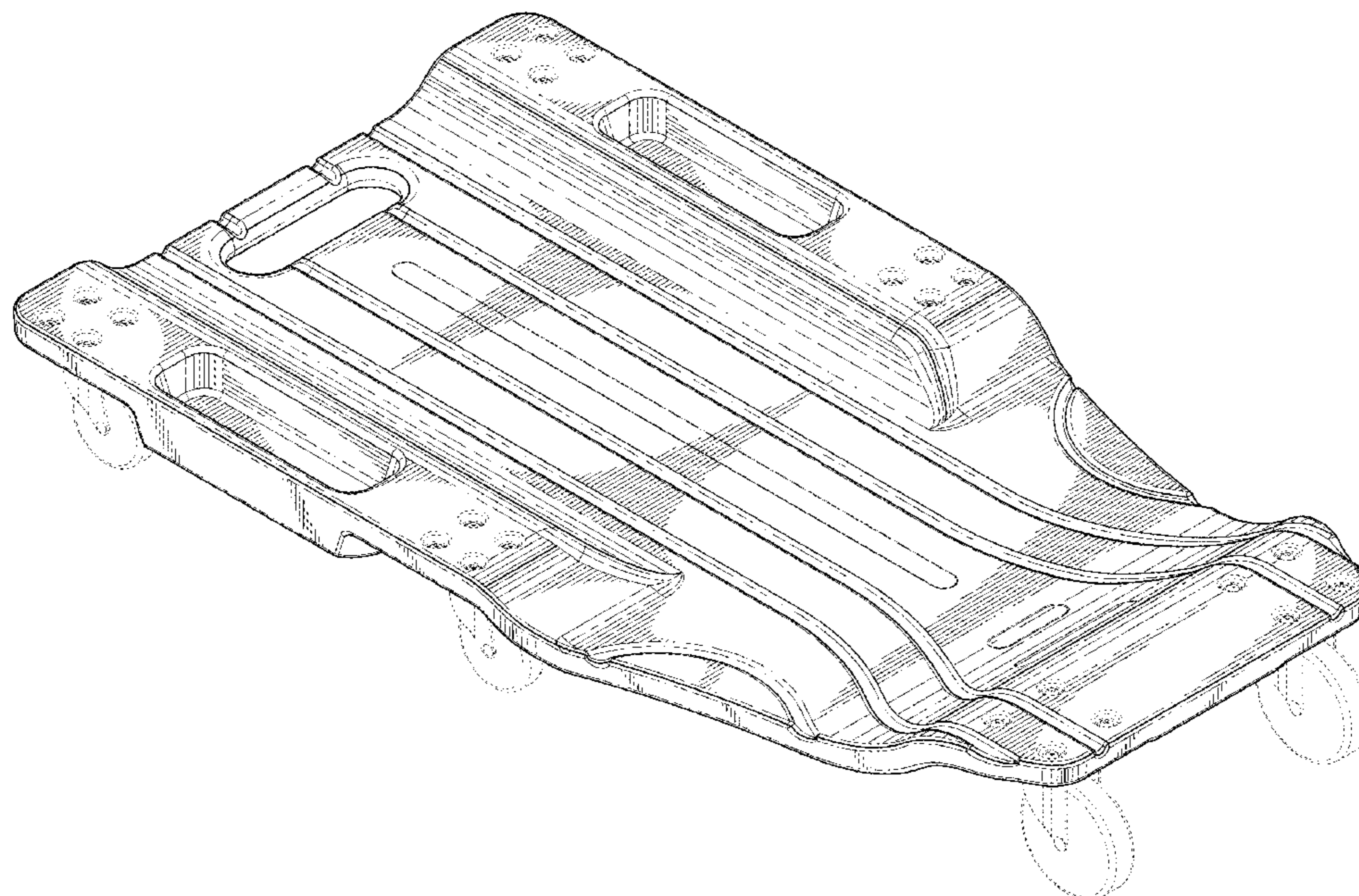
(57) **CLAIM**

The ornamental design for a mechanic's creeper, as shown and described.

DESCRIPTION

FIG. 1 is a top-right-rear perspective view of a mechanic's creeper according to my new design;
FIG. 2 is a bottom-left-front perspective view thereof;
FIG. 3 is a top plan view thereof;
FIG. 4 is a bottom plan view thereof;
FIG. 5 is a rear elevational view thereof;
FIG. 6 is a front elevational view thereof;
FIG. 7 is a right side elevational view thereof; and,
FIG. 8 is a left side elevational view thereof.
The broken lines in the drawings show portions of the mechanic's creeper that form no part of the claimed design.

1 Claim, 6 Drawing Sheets



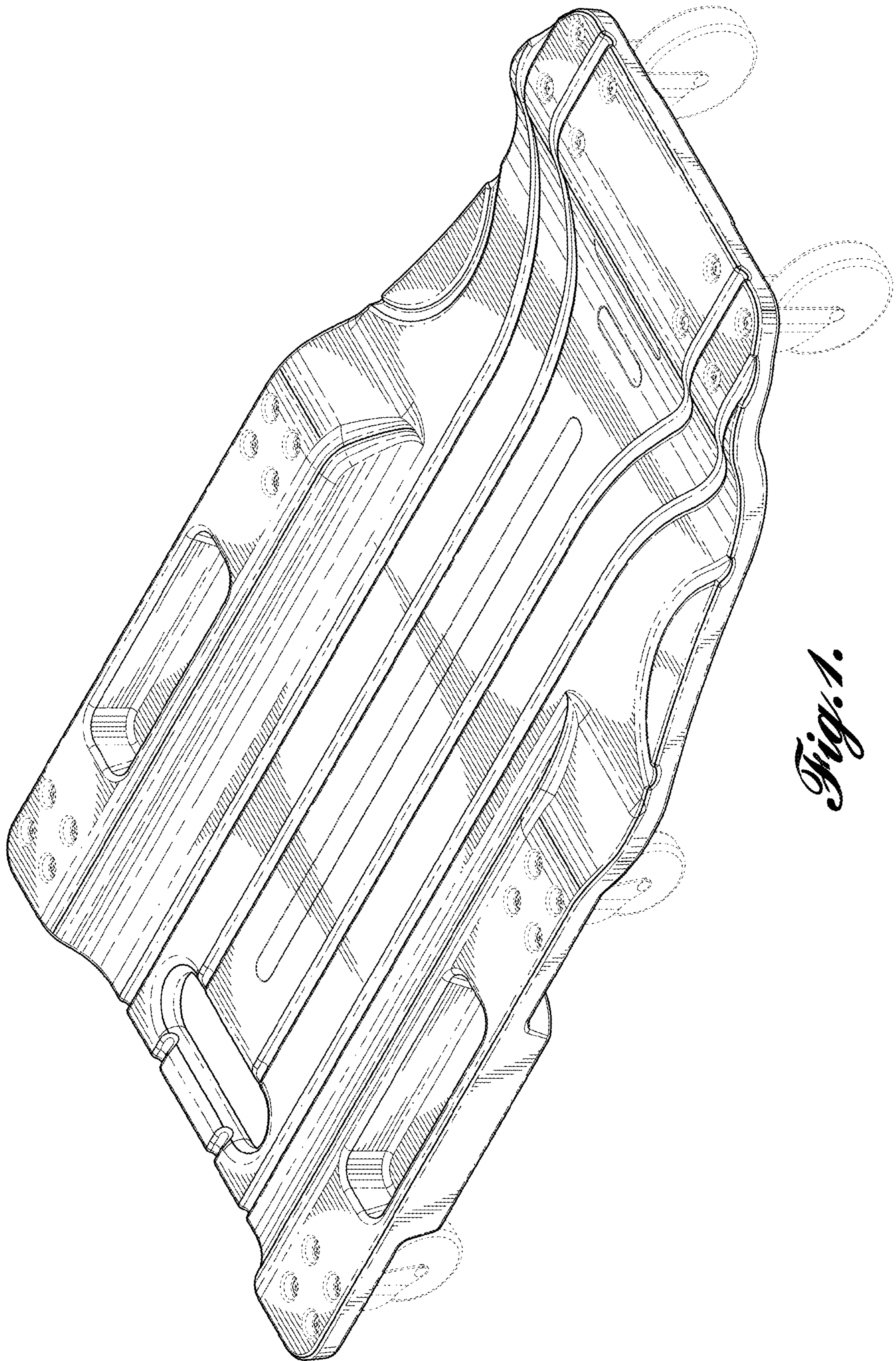


Fig. 1.

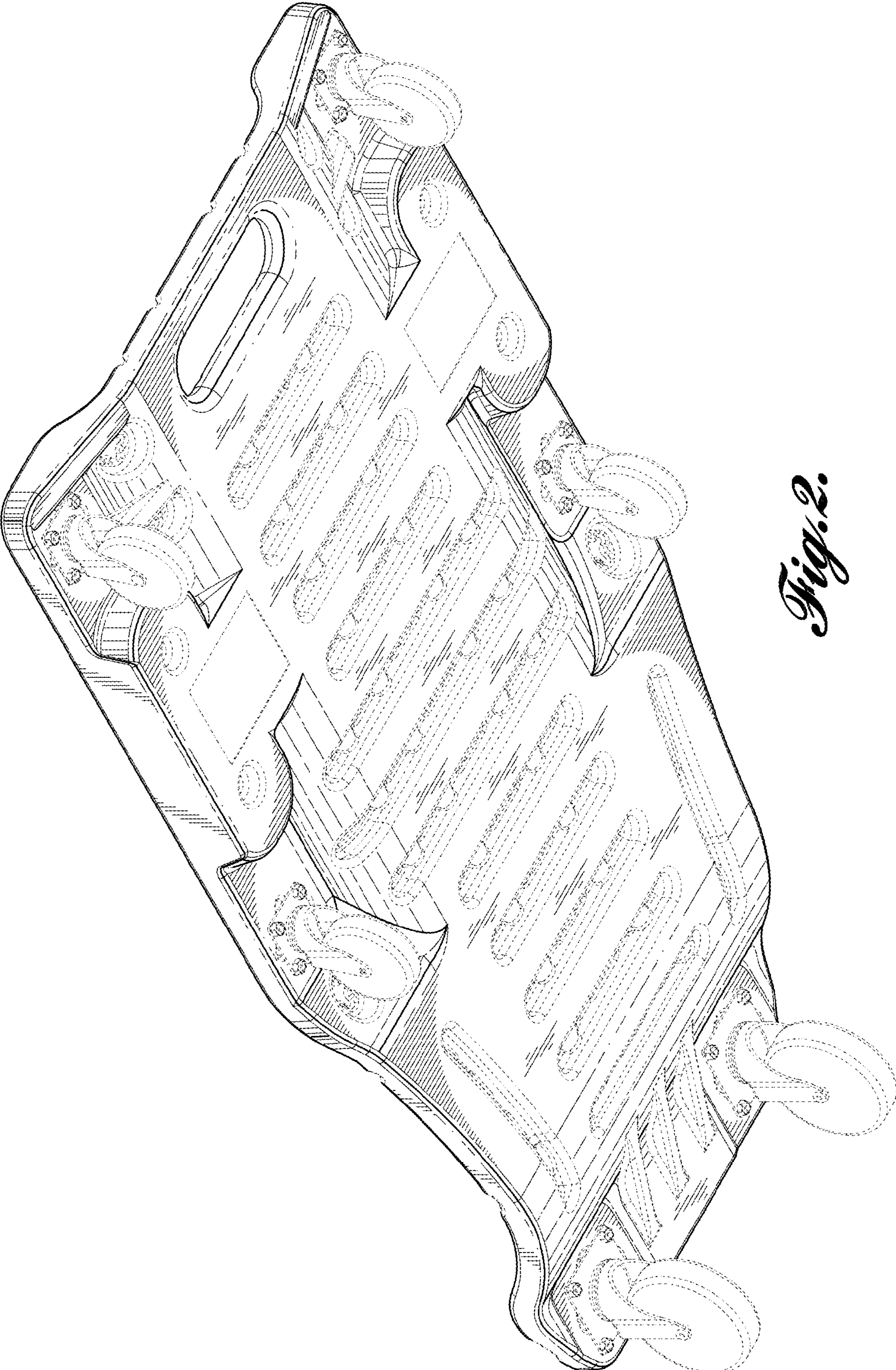


Fig. 2.

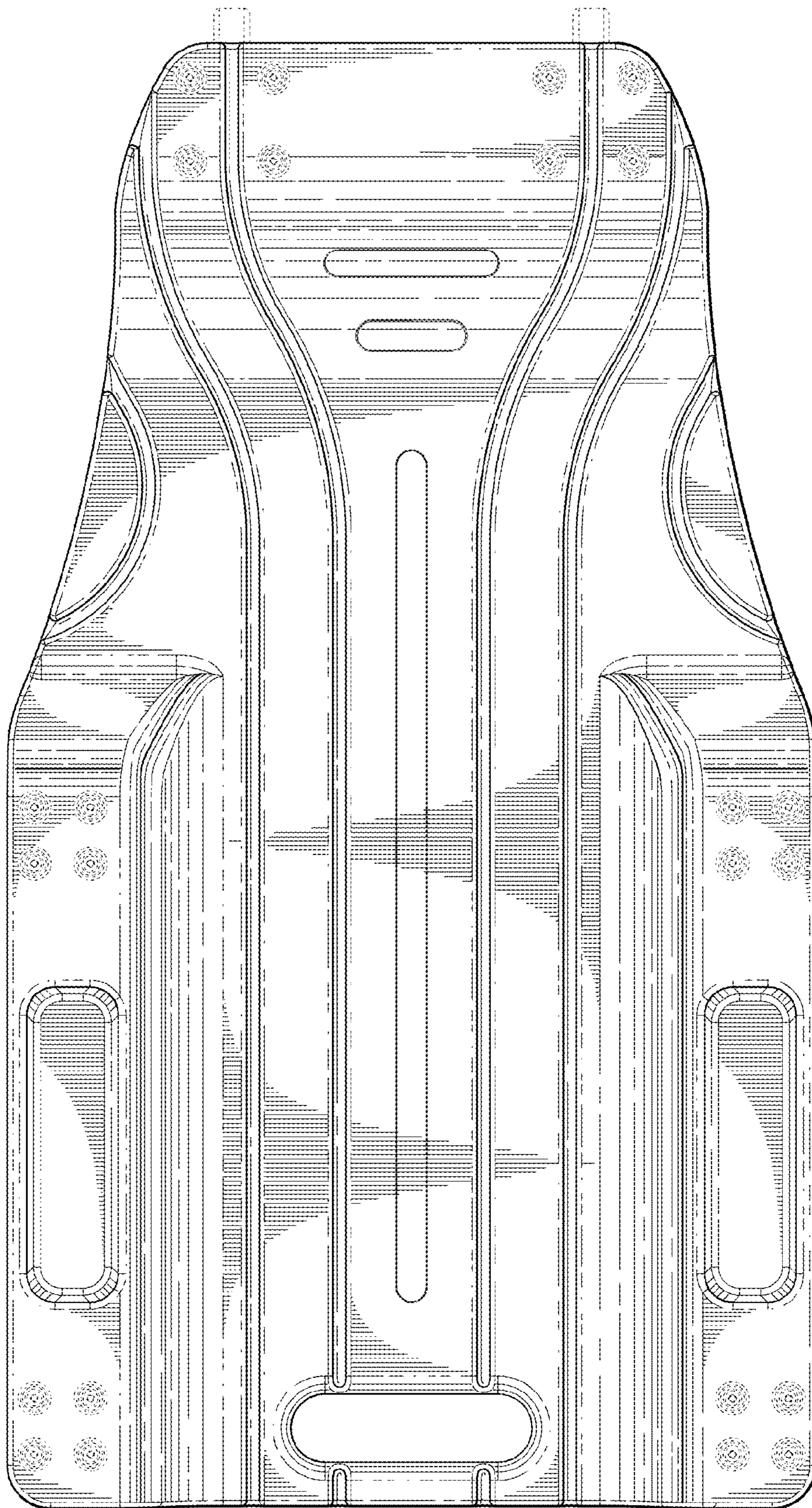


Fig. 3.

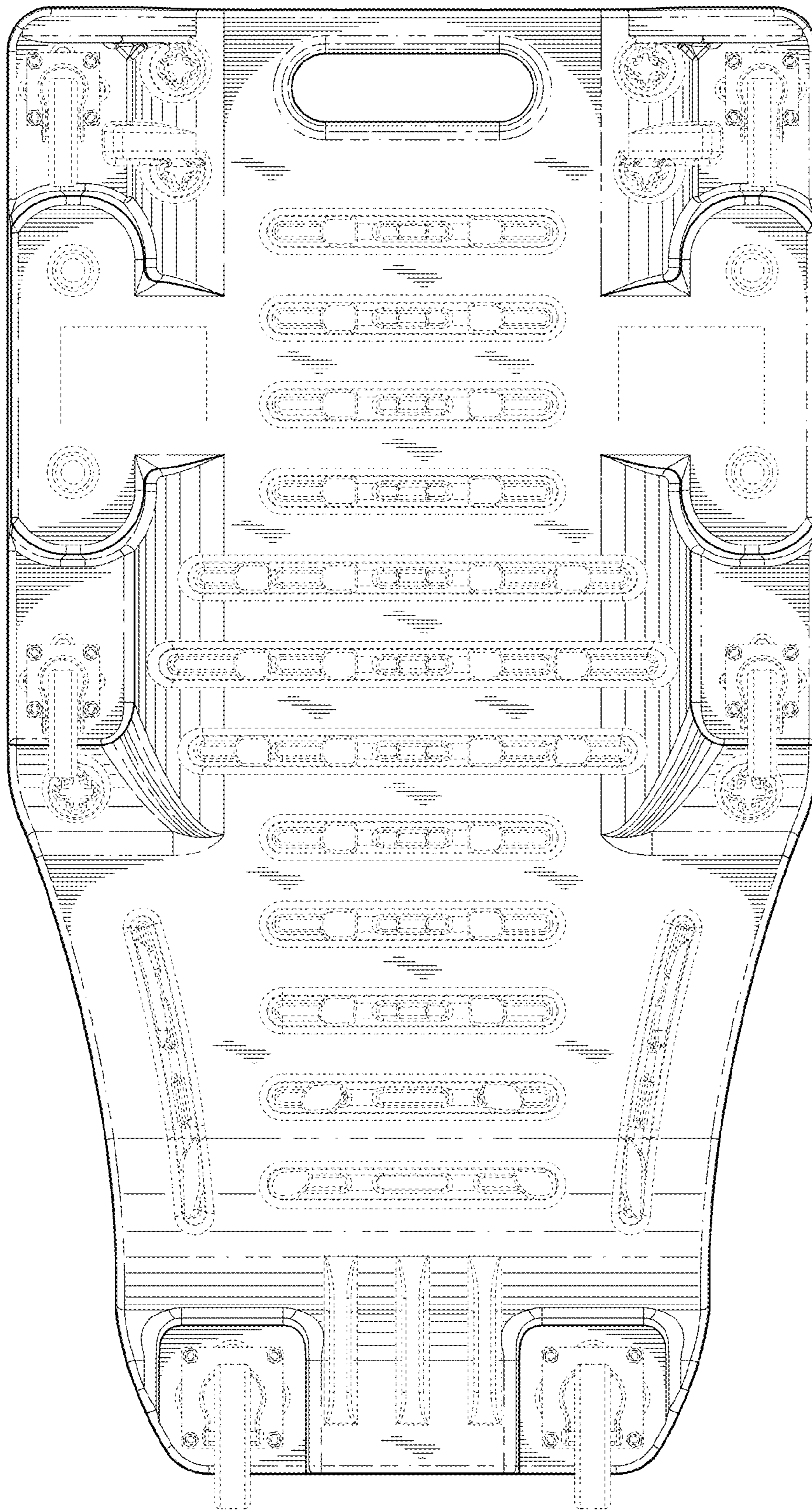


Fig. 4.

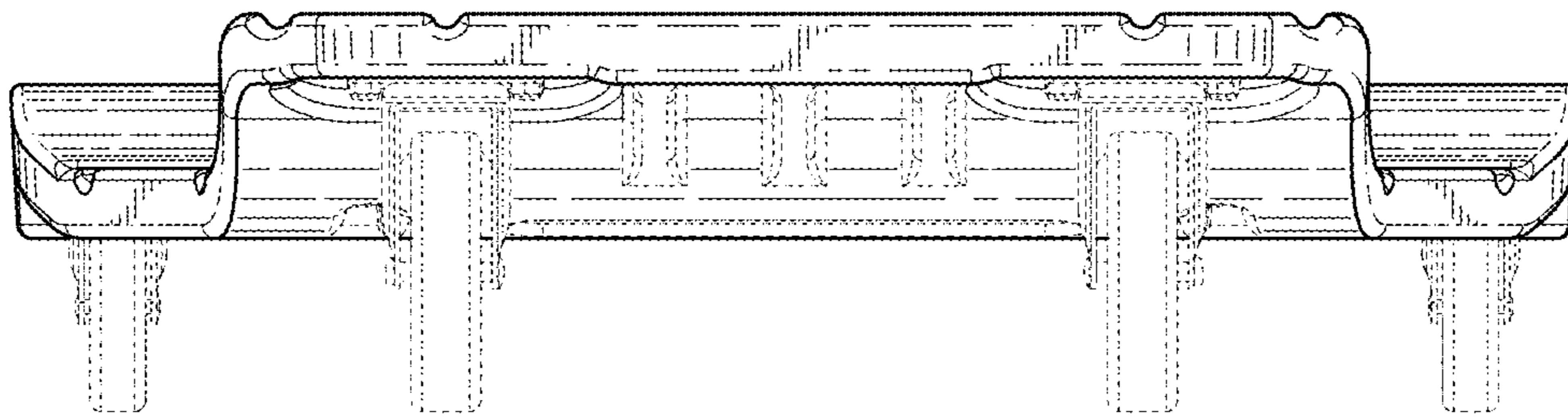


Fig. 5.

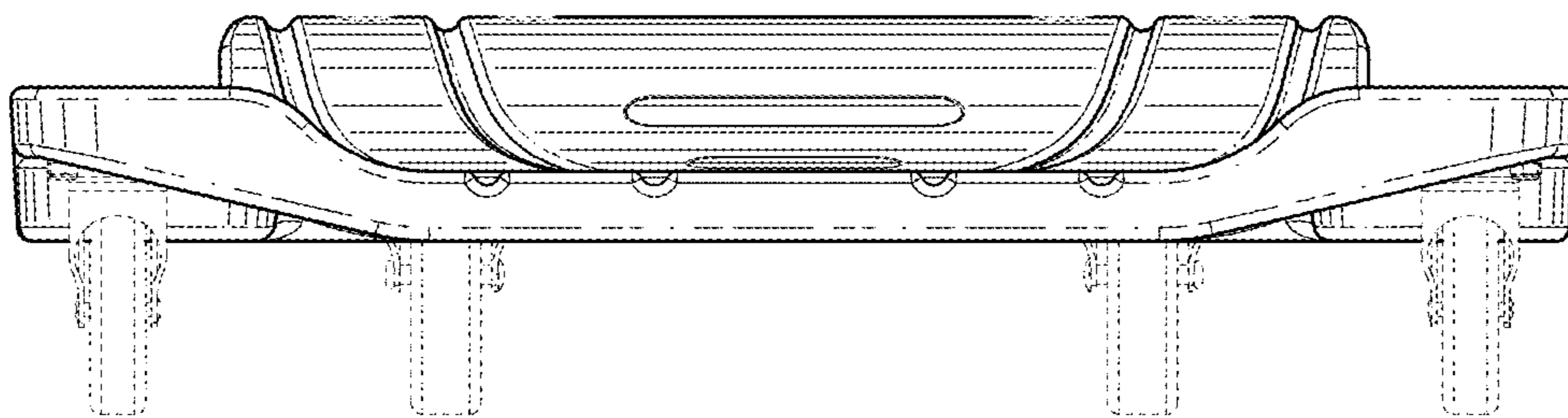


Fig. 6.

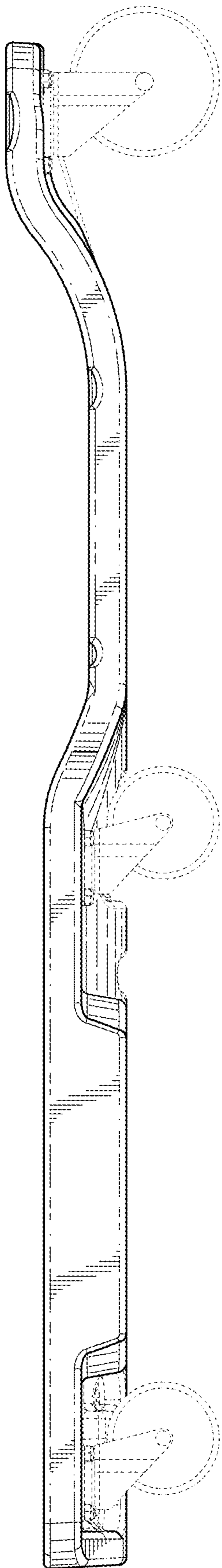


Fig. 7.

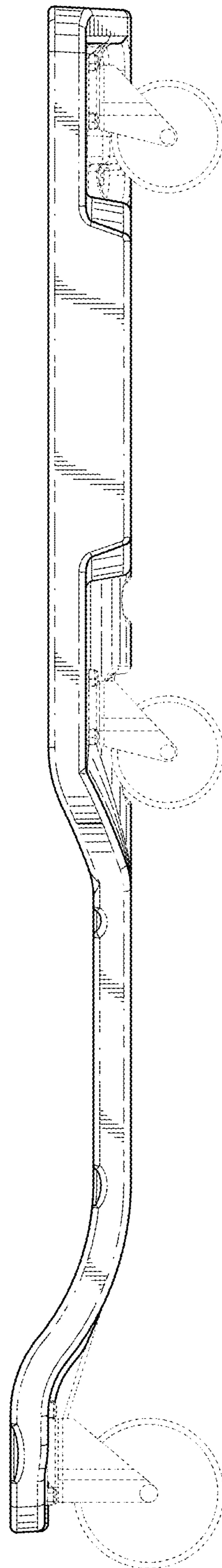


Fig. 8.