



US00D97776S

(12) **United States Design Patent** (10) **Patent No.:** **US D977,776 S**
Li (45) **Date of Patent:** **** Feb. 7, 2023**

(54) **SINK MAT**

D875,905 S * 2/2020 Hyde D23/308
D875,906 S * 2/2020 Hyde D23/308
D877,302 S * 3/2020 Hyde D23/308
D904,710 S 12/2020 Gee, II et al.

(71) Applicant: **Suna Li**, Shenzhen (CN)

(72) Inventor: **Suna Li**, Shenzhen (CN)

(**) Term: **15 Years**

(21) Appl. No.: **29/846,724**

(22) Filed: **Jul. 19, 2022**

(51) **LOC (14) Cl.** **07-05**

(52) **U.S. Cl.**
USPC **D32/57**

(58) **Field of Classification Search**
USPC D32/55, 276, 58; D6/510, 525;
D30/133; 211/41.5, 41.4, 41.3, 41.8;
361/679.4; 312/311, 333, 334.4;
D7/354, 629

CPC .. A47L 15/505; A47L 15/503; A47L 15/0013;
A47L 19/02; A47L 19/04; A47J 47/20

See application file for complete search history.

(56) **References Cited**

U.S. PATENT DOCUMENTS

D186,708 S * 11/1959 Bliss D32/57
D318,575 S * 7/1991 Applebaum D25/138
D625,482 S 10/2010 Yang et al.
D631,952 S * 2/2011 Marcoff D32/55
D787,403 S * 5/2017 Simonsen D32/57
D821,670 S * 6/2018 Lynch D32/57
D824,628 S * 7/2018 Lynch D32/57

OTHER PUBLICATIONS

LOPNUR Sink Faucet Mat on Amazon, Date First Available Jan. 8, 2022 [online], [site visited Oct. 5, 2022] Available from Internet: <URL: <https://www.amazon.com/Sink-Splash-Guard-Behind-Faucet/dp/B09NVJH73F/>> (Year: 2022).*

* cited by examiner

Primary Examiner — Austin Murphy

(74) *Attorney, Agent, or Firm* — Justin Lampel

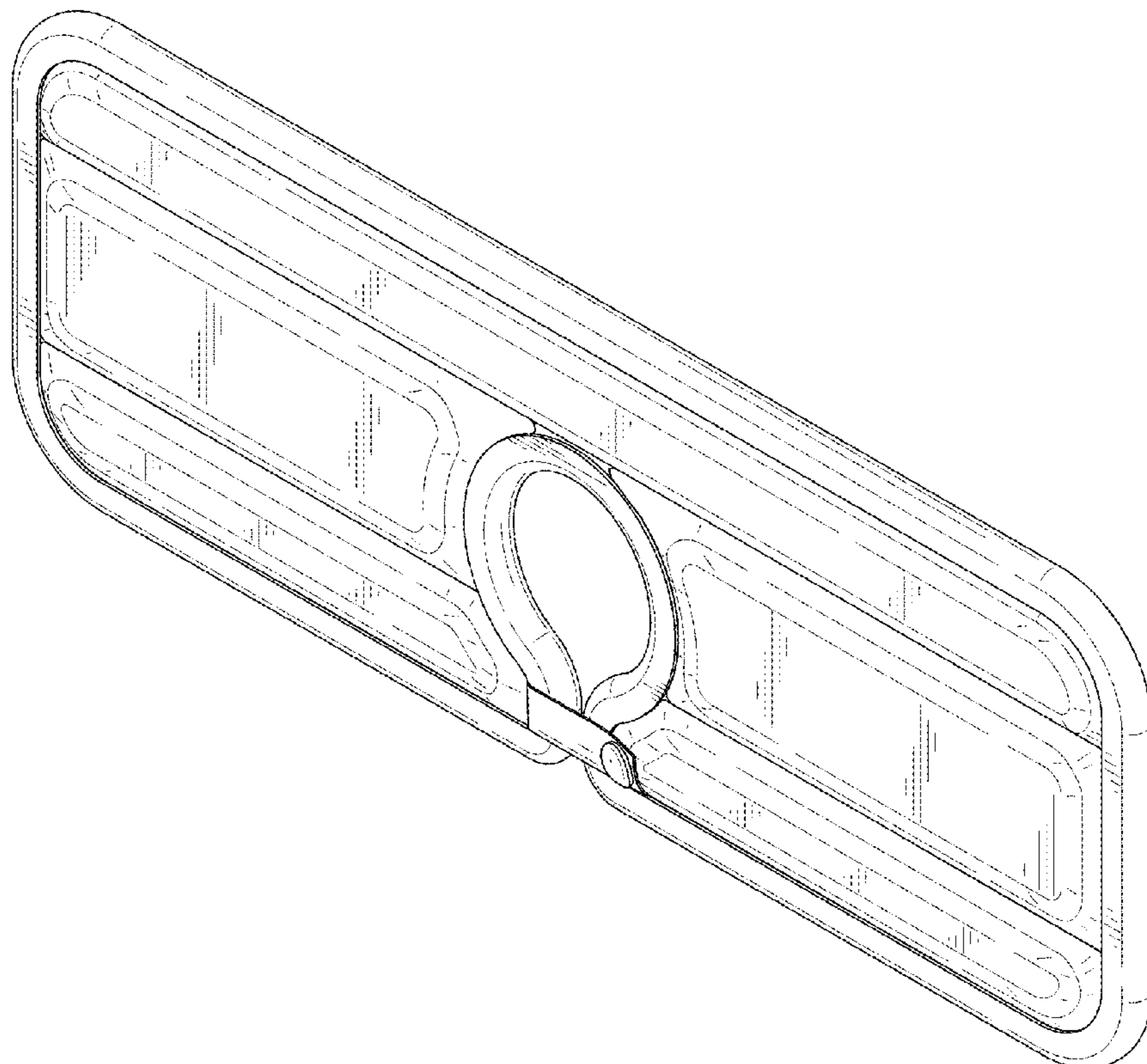
(57) **CLAIM**

The ornamental design for a sink mat, as shown and described.

DESCRIPTION

FIG. 1 is a front, right and top perspective view of a sink mat showing my new design;
FIG. 2 is a rear, left and bottom perspective view thereof;
FIG. 3 is a front view thereof;
FIG. 4 is a rear view thereof;
FIG. 5 is a left side view thereof;
FIG. 6 is a right side view thereof;
FIG. 7 is a top plan view thereof; and,
FIG. 8 is a bottom plan view thereof.

1 Claim, 8 Drawing Sheets



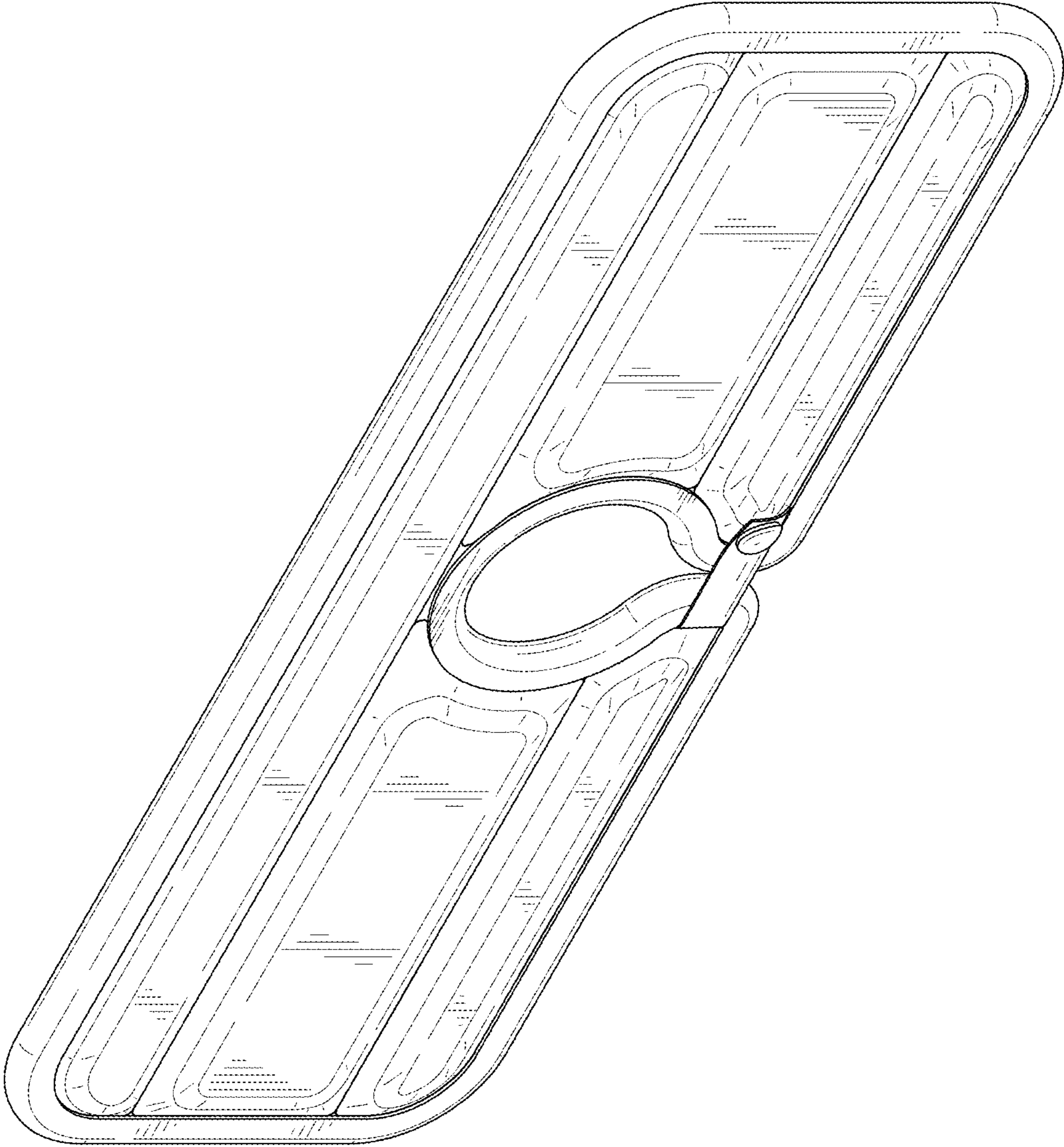


FIG. 1



FIG. 2

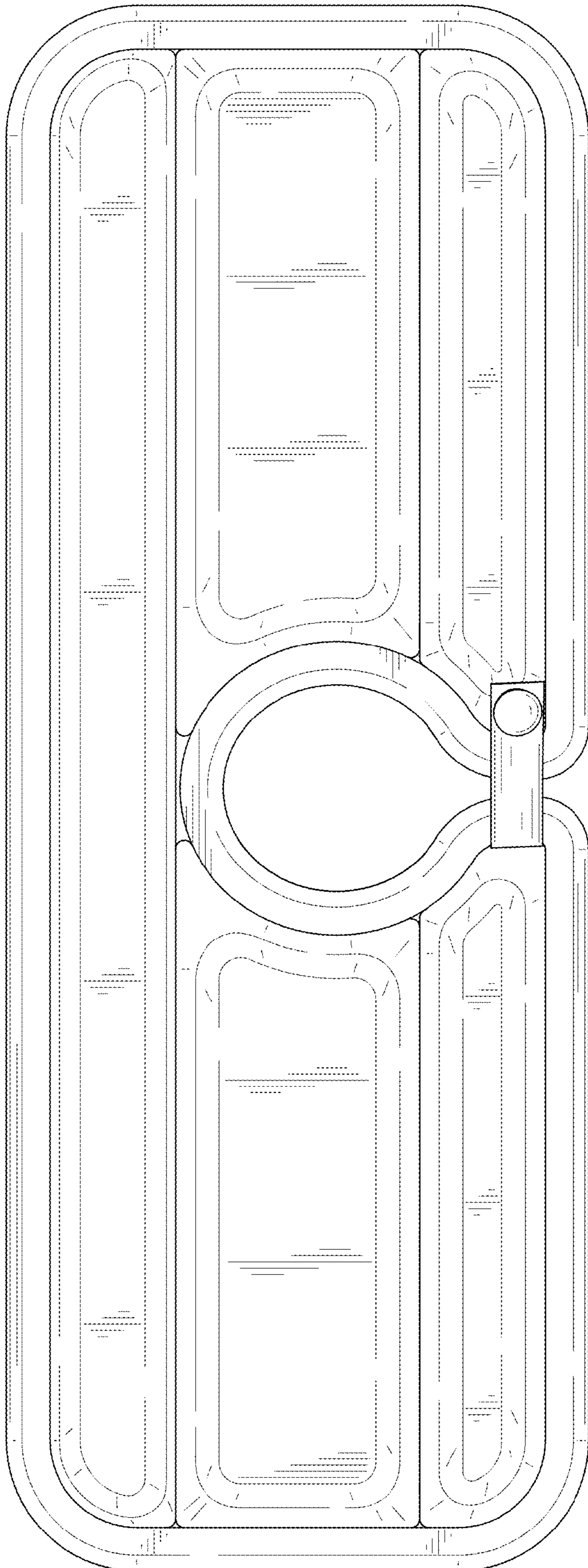


FIG. 3

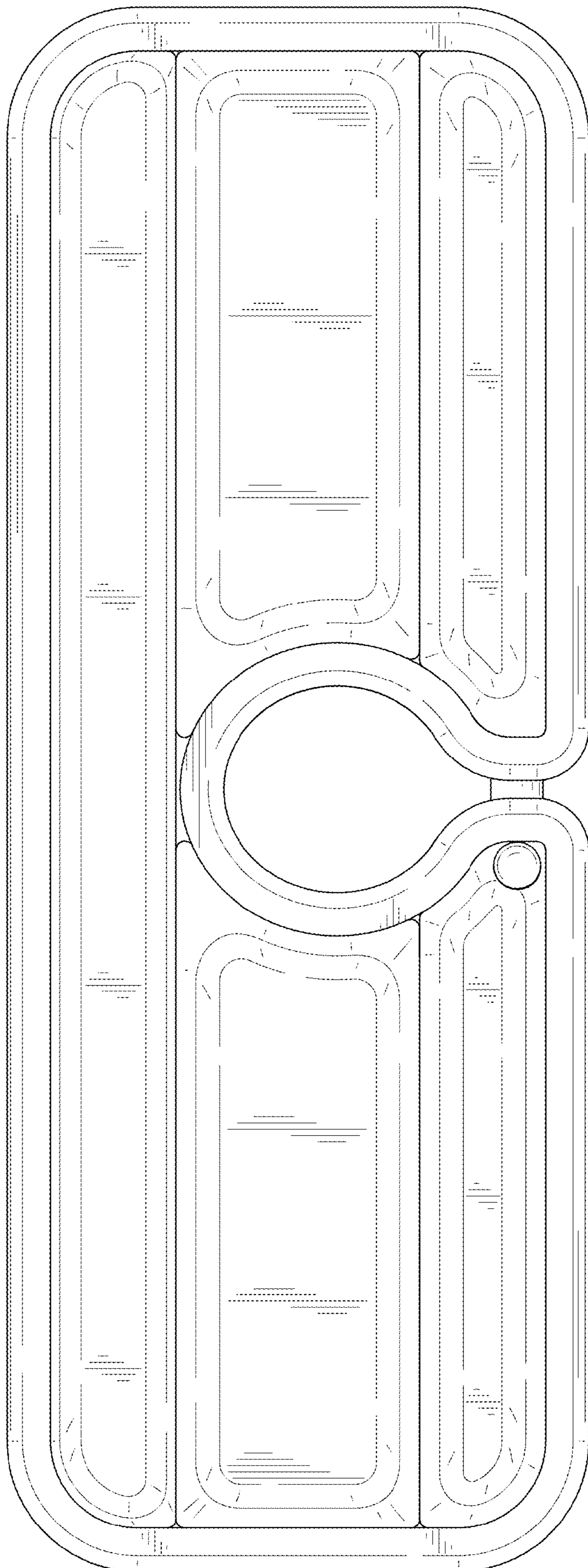


FIG. 4

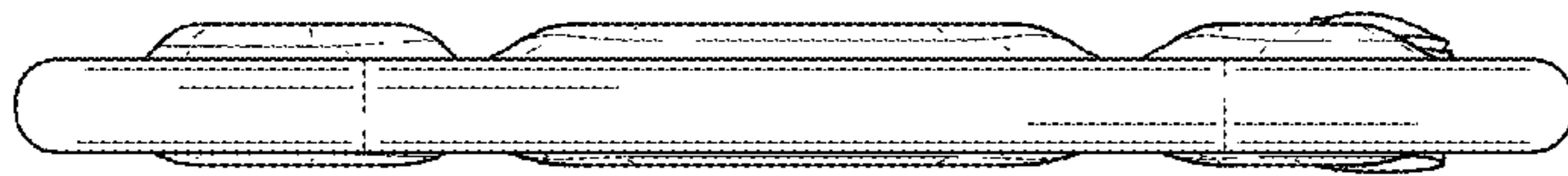


FIG. 5

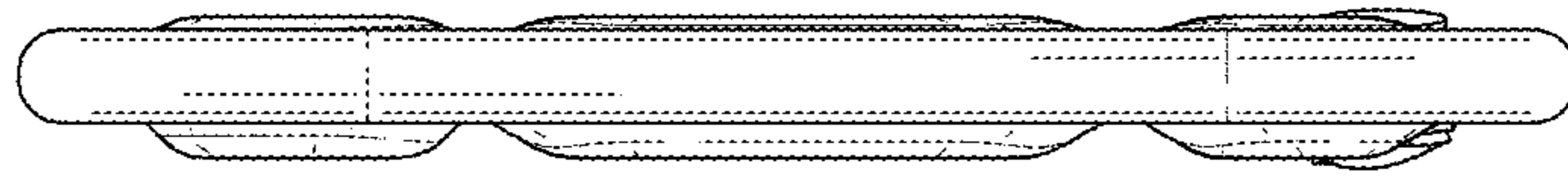


FIG. 6

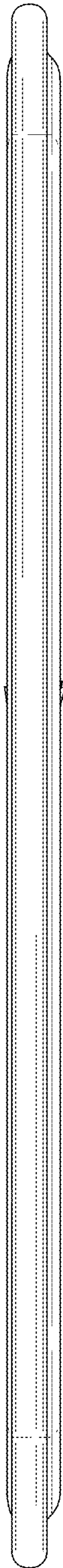


FIG. 7

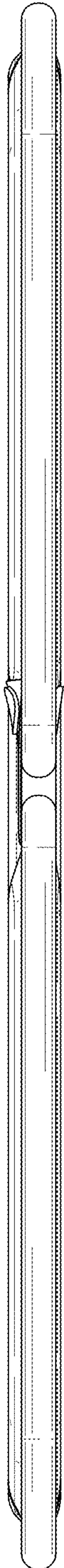


FIG. 8