



US00D977775S

(12) **United States Design Patent**
Zhang

(10) **Patent No.:** **US D977,775 S**

(45) **Date of Patent:** **** Feb. 7, 2023**

(54) **DISH DRYING RACK**

(71) Applicant: **Guangzhou Weiyue Digital Technology Co., Ltd., Guangzhou (CN)**

(72) Inventor: **Hongwei Zhang, Guangzhou (CN)**

(73) Assignee: **Guangzhou Weiyue Digital Technology Co., Ltd., Guangzhou (CN)**

(**) Term: **15 Years**

(21) Appl. No.: **29/861,996**

(22) Filed: **Dec. 5, 2022**

(51) **LOC (14) Cl.** **07-05**

(52) **U.S. Cl.**
USPC **D32/55**

(58) **Field of Classification Search**
USPC D32/55, 276, 3; D6/510, 525; D30/133;
211/41.5, 41.4, 41.3, 41.8; 361/679.4;
312/311, 333, 334.4; D7/354, 629
CPC A47J 47/20; A47J 2201/00; A47J 47/00;
B65D 35/02; B65D 35/22; B65D 35/56
See application file for complete search history.

(56) **References Cited**

U.S. PATENT DOCUMENTS

D554,318 S	*	10/2007	Yang	D32/55
D554,819 S	*	11/2007	Shah	D32/55
D559,491 S	*	1/2008	Yang	D32/55
D599,067 S	*	8/2009	Yang	D32/55
D599,068 S	*	8/2009	Yang	D32/55
D693,081 S	*	11/2013	Yang	D32/55
D776,385 S	*	1/2017	Evans	D32/55

D776,387 S	*	1/2017	Chen	D32/56
D820,543 S	*	6/2018	Huang	D32/55
D874,775 S	*	2/2020	Xie	D32/55
D915,707 S	*	4/2021	Li	D32/55
D921,316 S	*	6/2021	Zhou	D32/55
D921,318 S	*	6/2021	Ling	D32/55
D921,319 S	*	6/2021	Xie	D32/55
D925,852 S	*	7/2021	XiangZe	D32/55
D928,442 S	*	8/2021	Zhan	D32/55
D930,930 S	*	9/2021	Tan	D32/55
D957,779 S	*	7/2022	Zang	D32/55

* cited by examiner

Primary Examiner — Austin Murphy

(74) *Attorney, Agent, or Firm* — Nitin Kaushik

(57) **CLAIM**

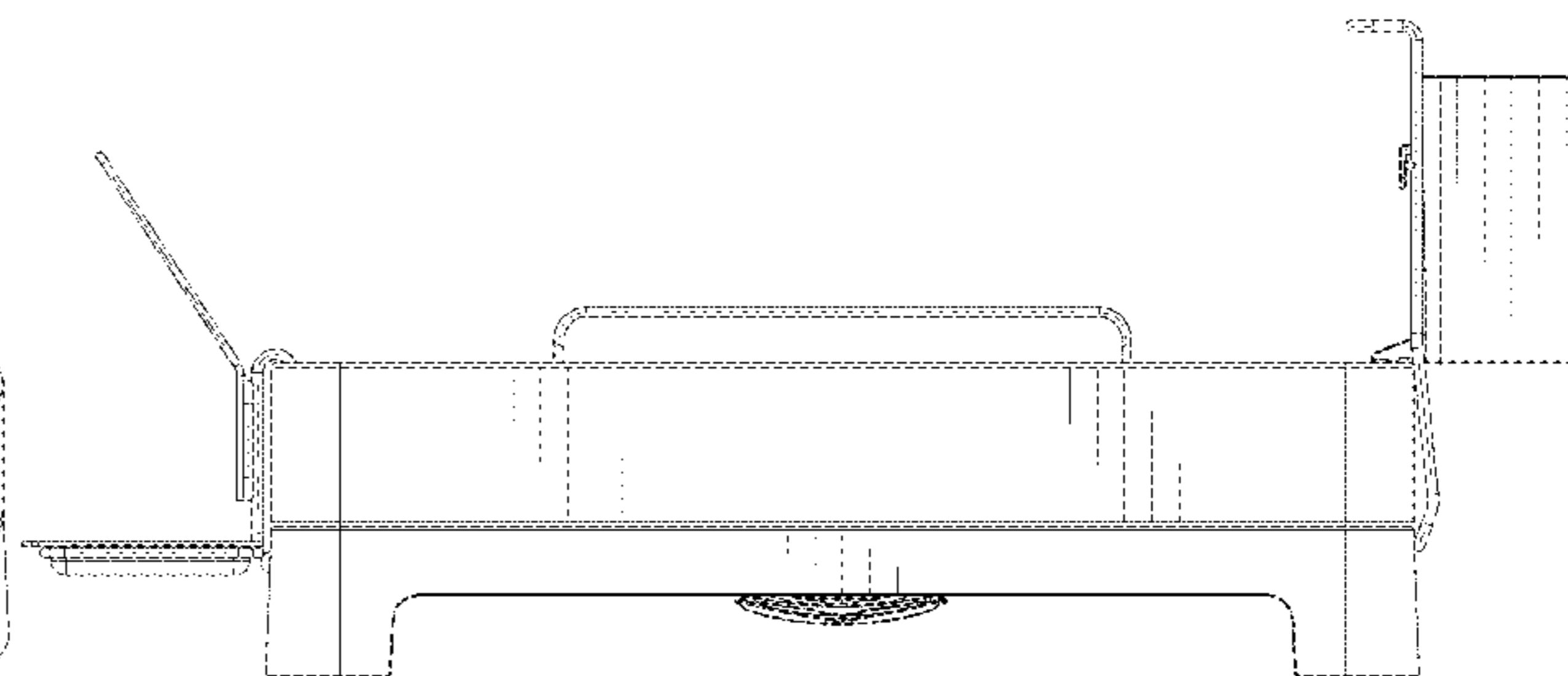
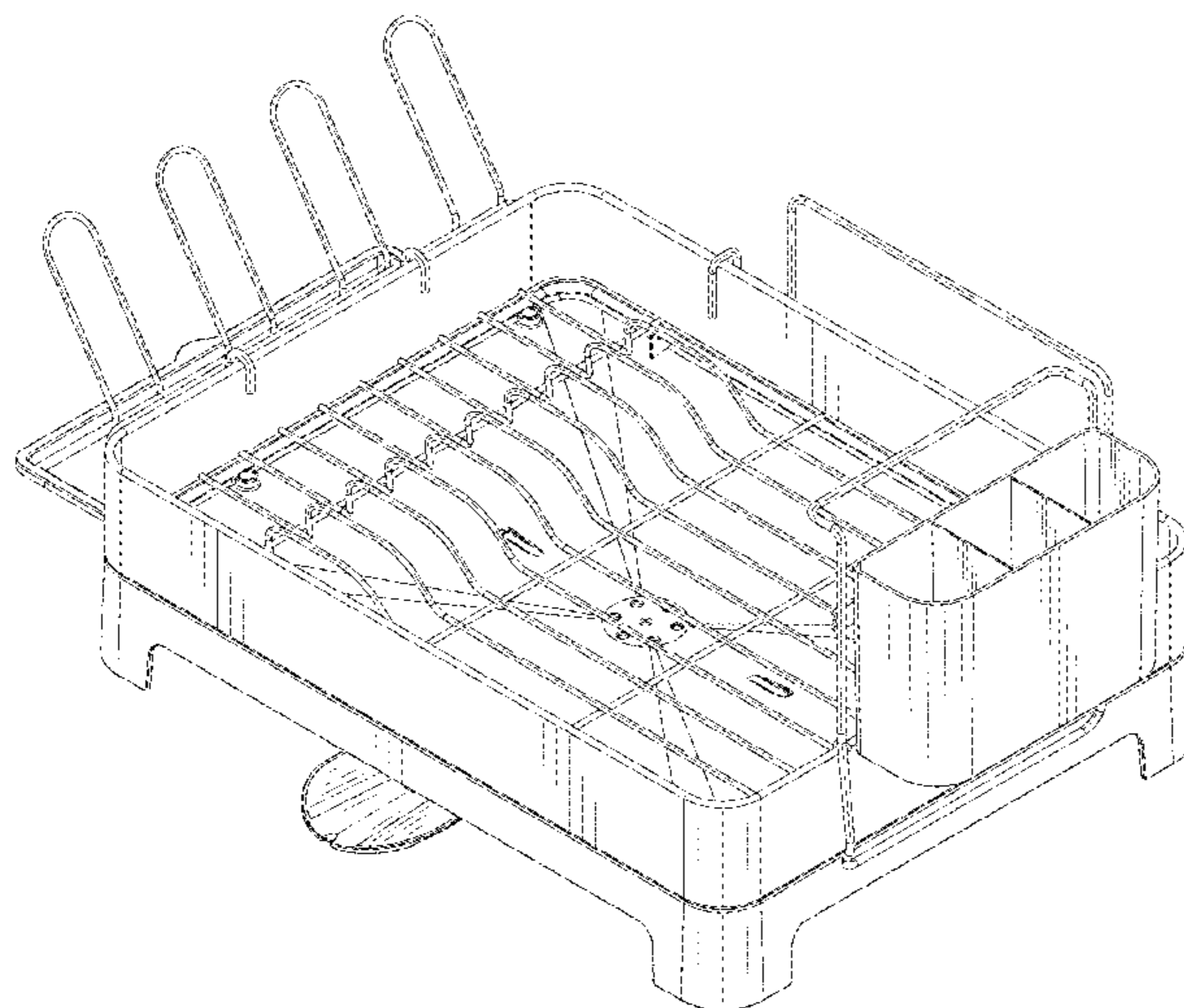
The ornamental design for a dish drying rack, as shown and described.

DESCRIPTION

FIG. 1 is a front perspective view of a dish drying rack, showing my new design;
FIG. 2 is another perspective view of its use state;
FIG. 3 is a front view thereof;
FIG. 4 is a rear view thereof;
FIG. 5 is a left side view thereof;
FIG. 6 is a right side view thereof;
FIG. 7 is a bottom view thereof; and,
FIG. 8 is a top view thereof.

The broken lines in the drawings illustrate the portions of the dish drying rack, which form no part of the claimed design.

1 Claim, 8 Drawing Sheets



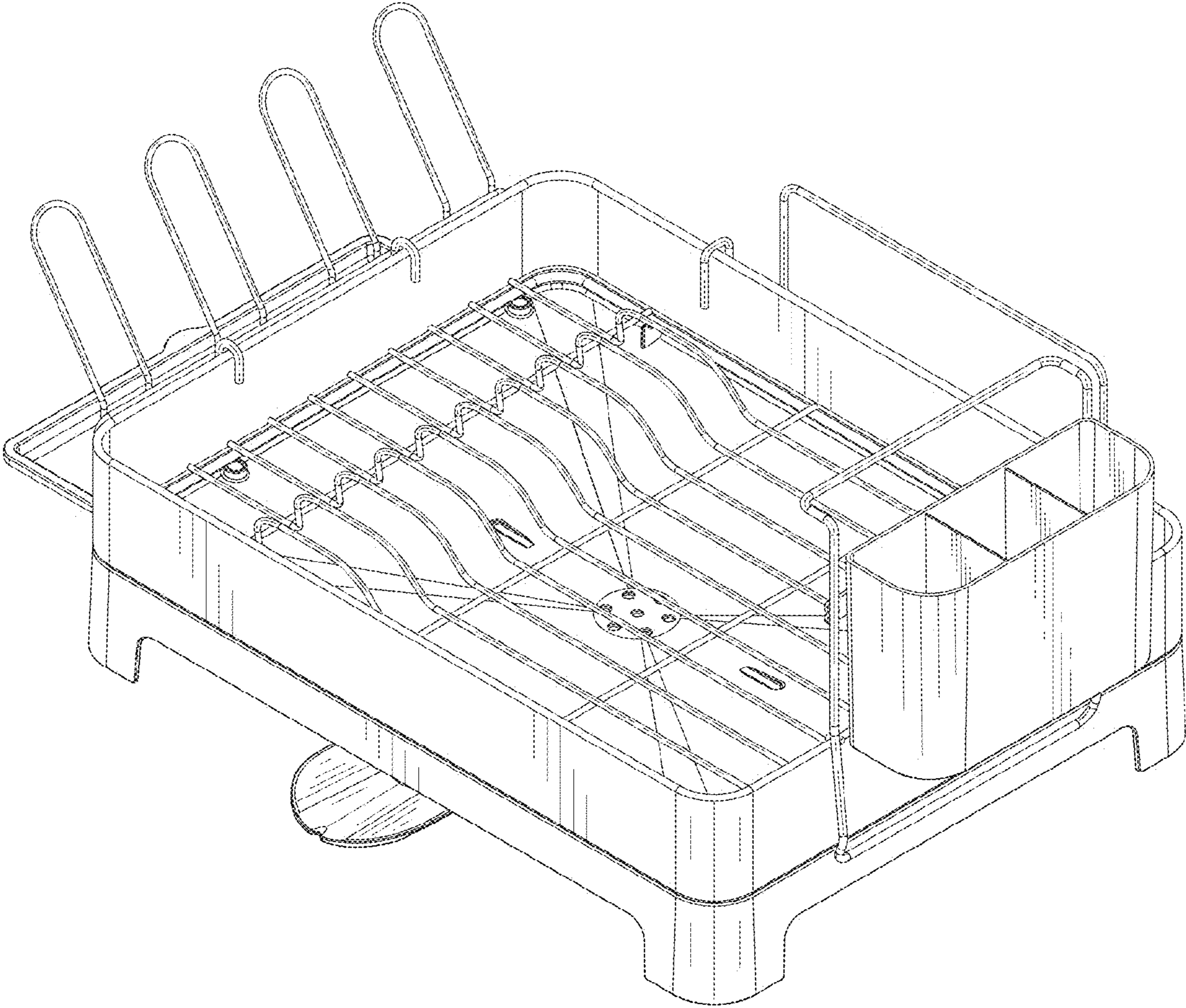


FIG. 1

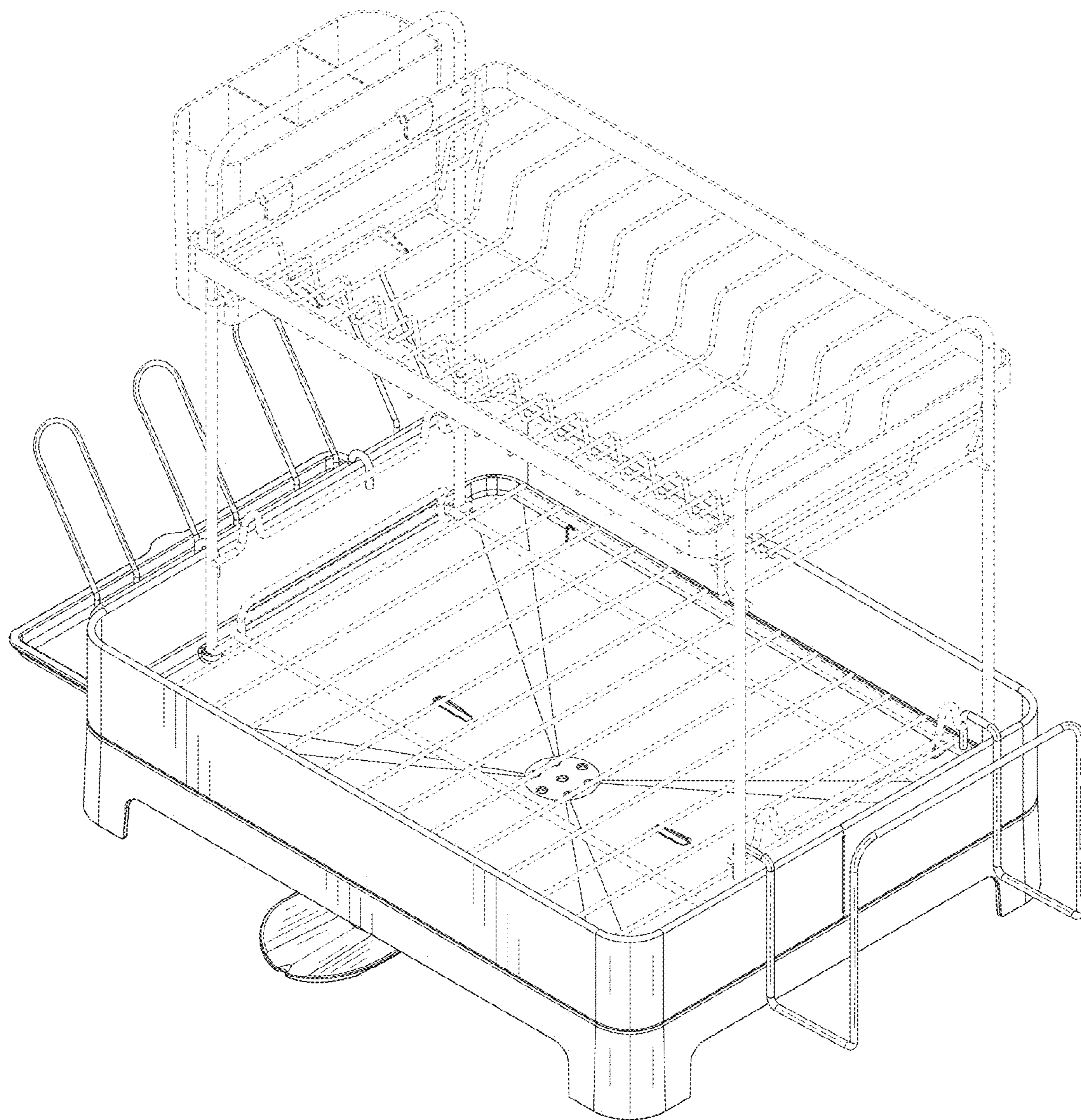


FIG. 2

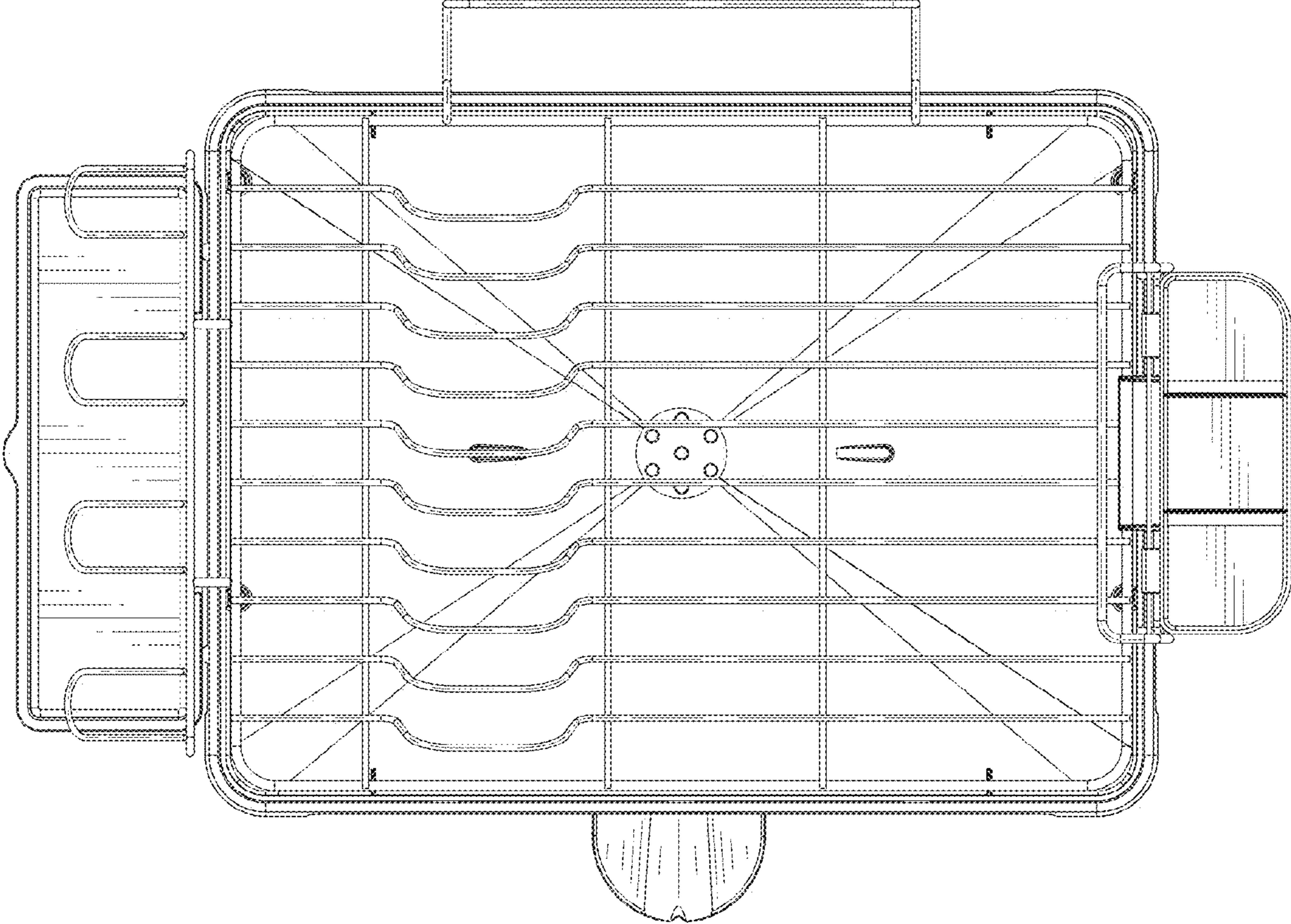


FIG. 3

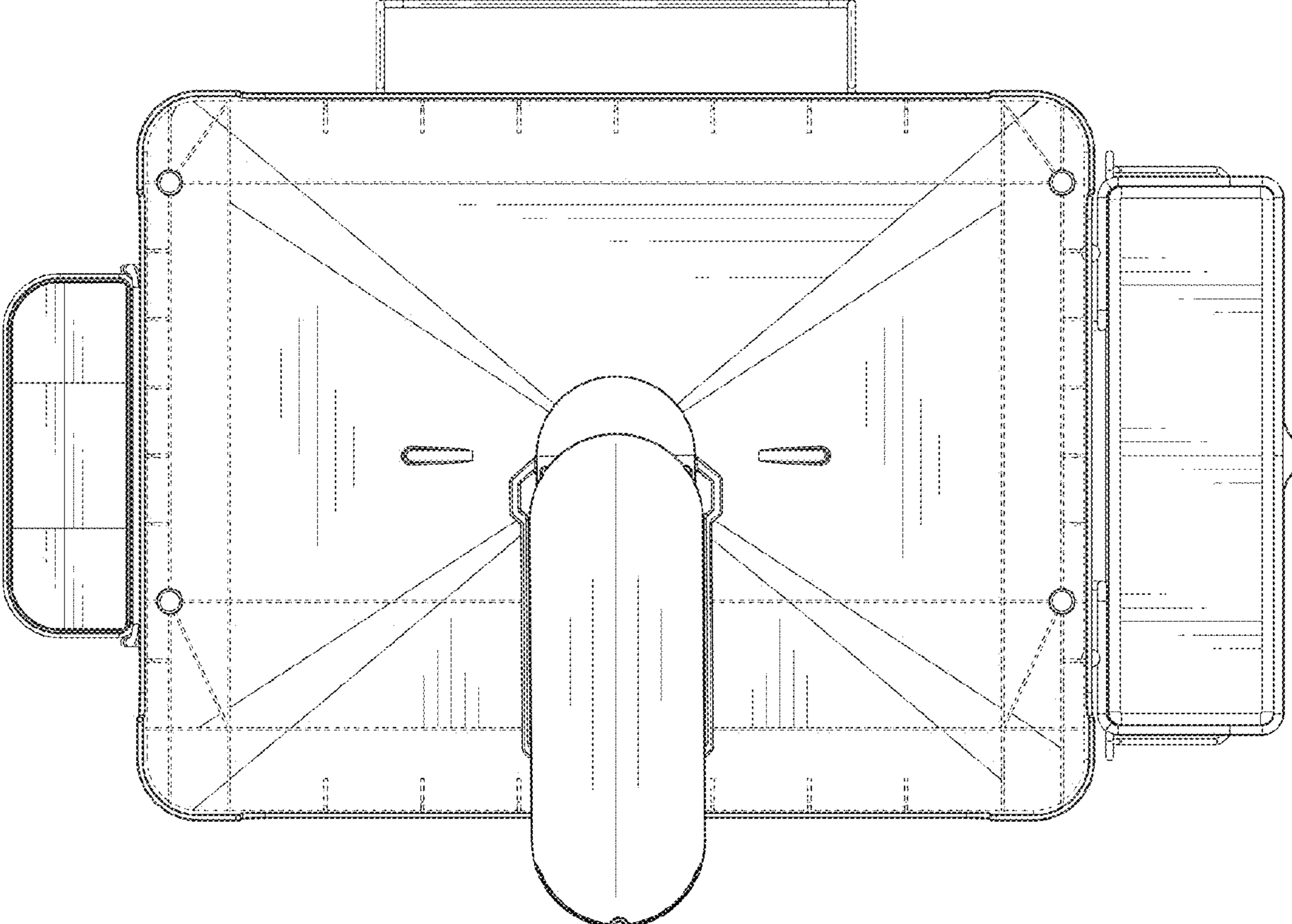


FIG. 4

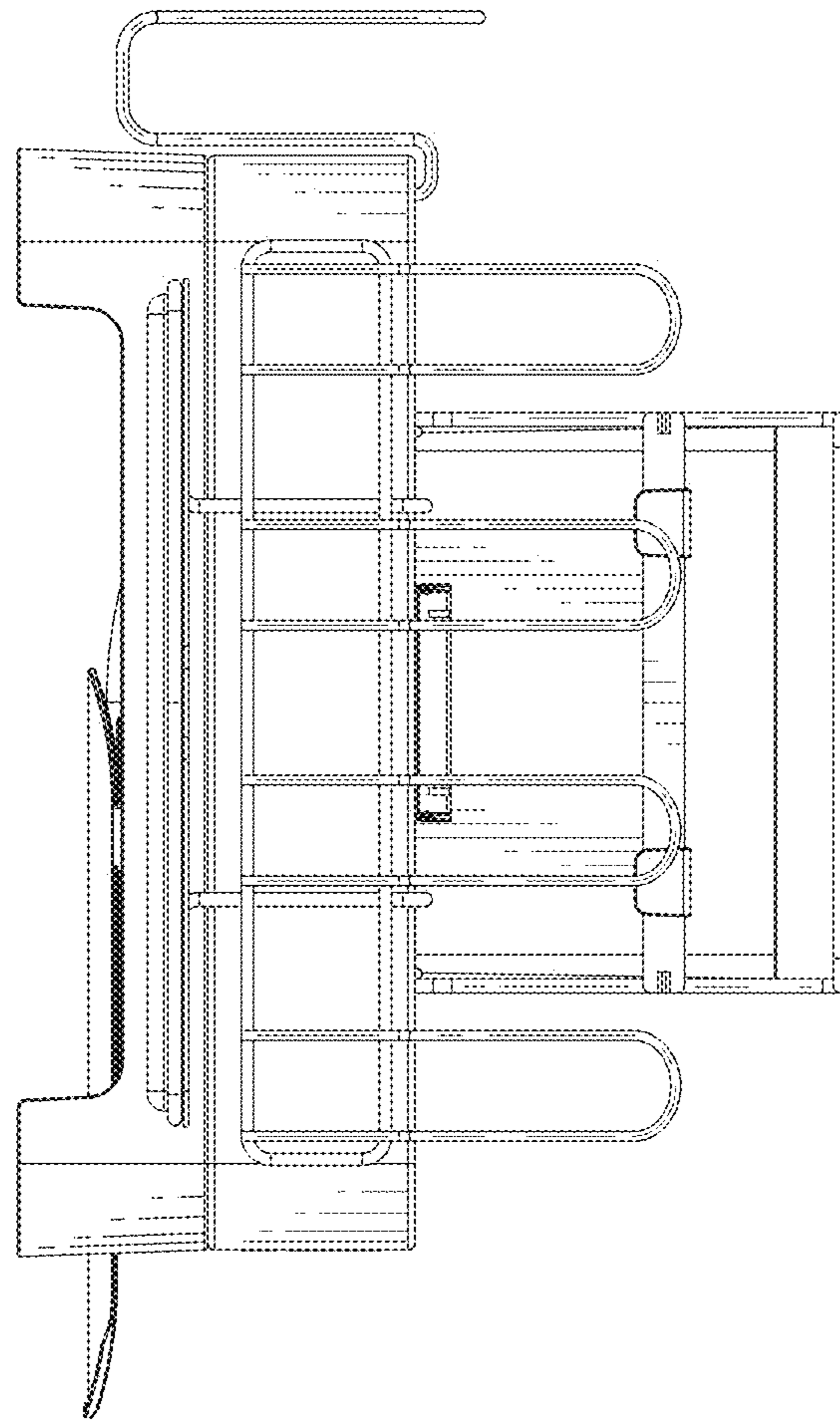


FIG. 5

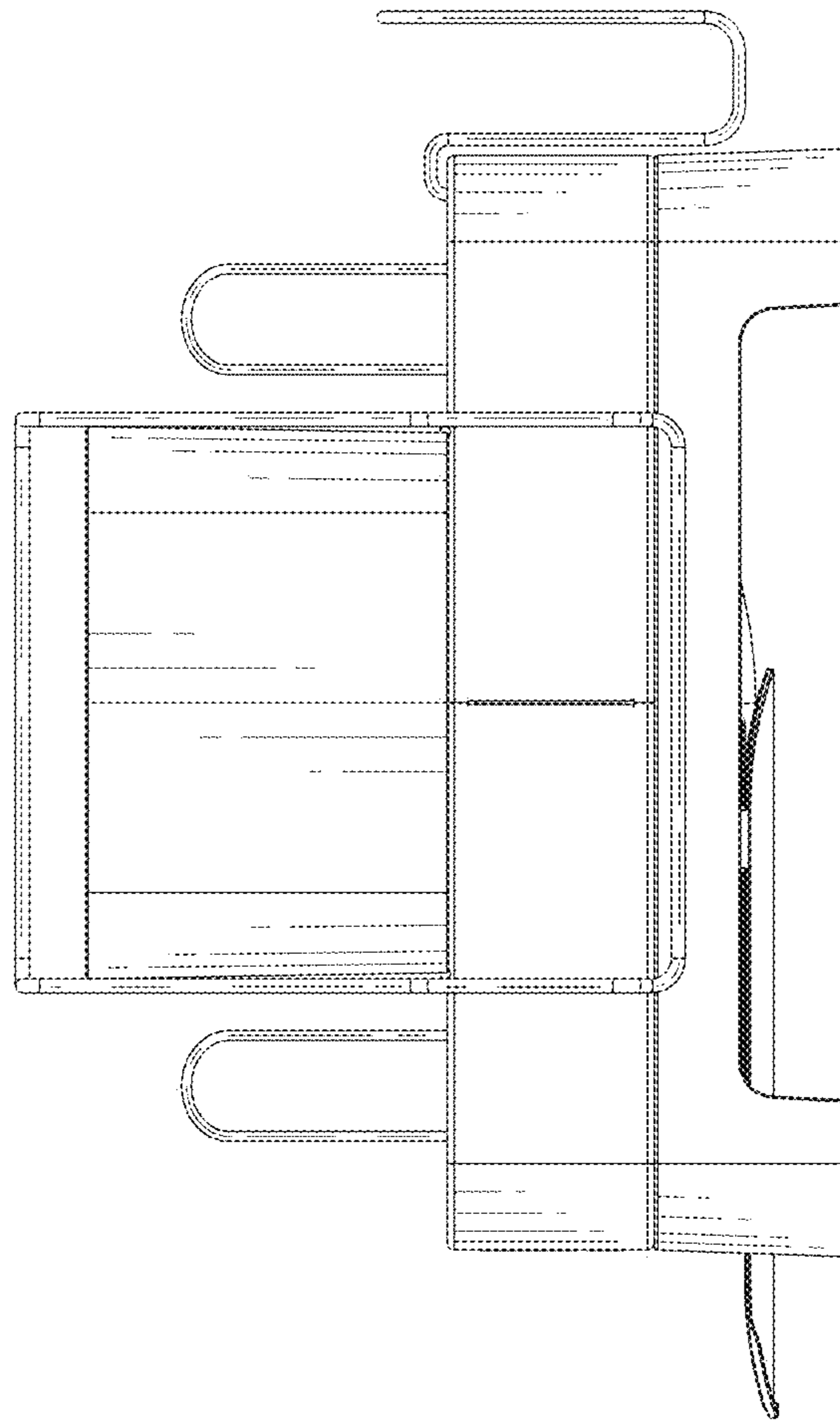


FIG. 6

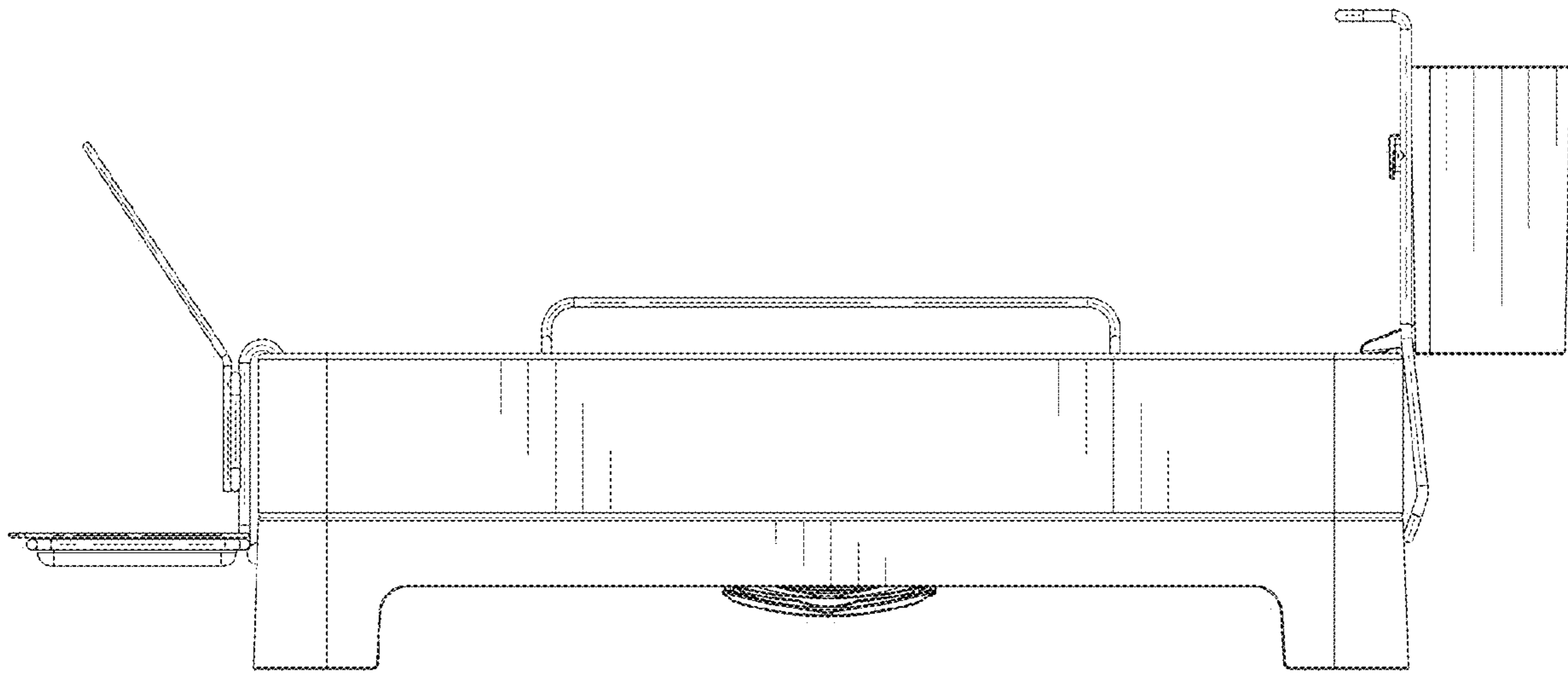


FIG. 7

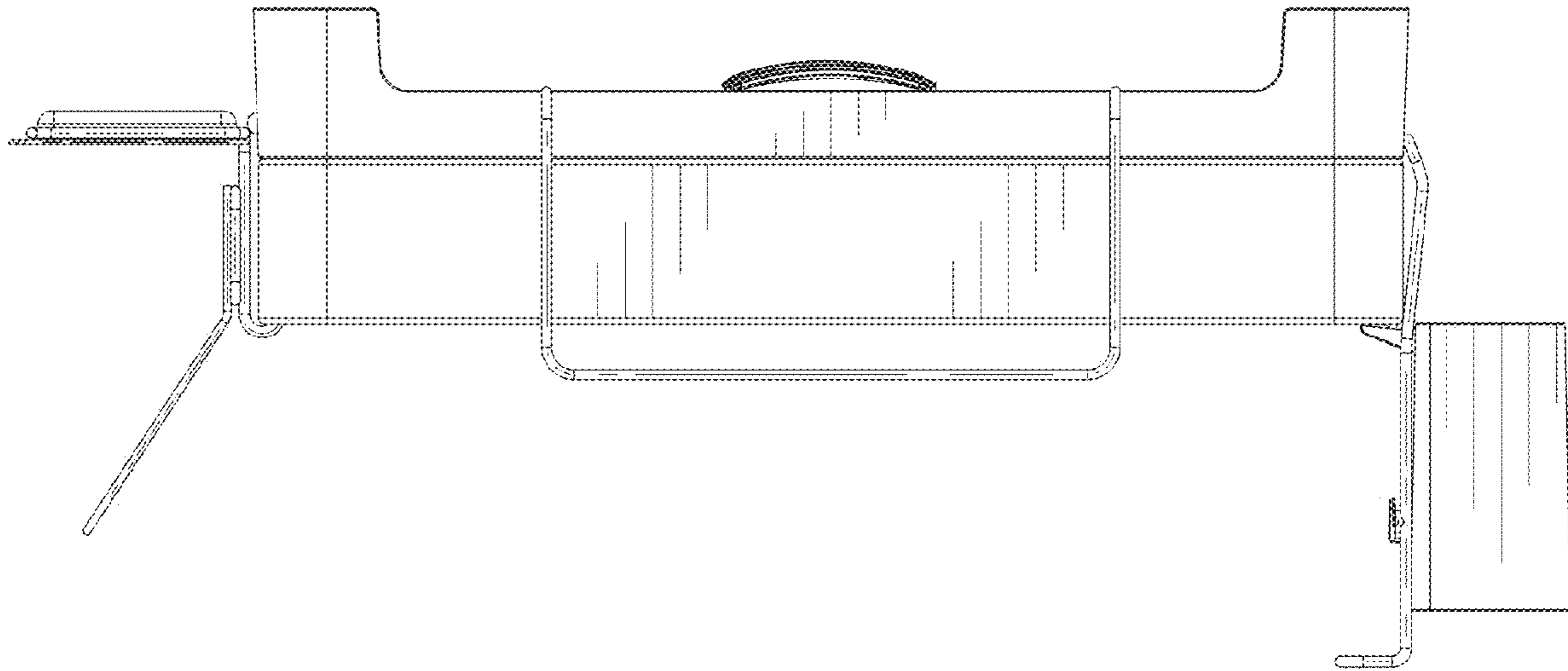


FIG. 8