



US00D977774S

(12) **United States Design Patent** (10) **Patent No.:** **US D977,774 S**  
**Bergman et al.** (45) **Date of Patent:** **\*\* Feb. 7, 2023**

(54) **PAINT GRID**  
(71) Applicant: **Bercom International, LLC**,  
Chanhassen, MN (US)  
(72) Inventors: **Mark W. Bergman**, Minnetonka, MN  
(US); **Jeffrey T. Given**, St. Paul, MN  
(US); **Matthew V. Leyden**, St. Paul,  
MN (US); **Jeffrey B. Waffensmith**,  
North Oaks, MN (US)  
(73) Assignee: **Bercom International, LLC**,  
Chanhassen, MN (US)  
(\*\*) Term: **15 Years**  
(21) Appl. No.: **29/685,635**  
(22) Filed: **Mar. 29, 2019**  
(51) **LOC (14) Cl.** ..... **07-05**  
(52) **U.S. Cl.**  
USPC ..... **D32/54**  
(58) **Field of Classification Search**  
USPC ..... D32/53, 54, 67  
CPC ..... A47J 47/18; A47L 13/52; A47L 13/58;  
B65D 25/14; B65D 25/16; B44D 3/126  
See application file for complete search history.

D607,170 S 12/2009 Bergman  
7,784,145 B1 8/2010 Prokop  
D643,982 S 8/2011 Franklin  
7,992,250 B2 8/2011 Prokop  
8,123,066 B2 2/2012 Chafe  
D673,339 S 12/2012 Bergman

(Continued)

FOREIGN PATENT DOCUMENTS

EP 2251210 11/2010

OTHER PUBLICATIONS

“Paint grid images,” from google Images Internet searches accessed  
before Sep. 18, 2013, 5 pages.

(Continued)

*Primary Examiner* — Calvin E Vansant

(74) *Attorney, Agent, or Firm* — James L. Young;  
Westman, Champlin & Koehler P.A.

(57) **CLAIM**

The ornamental design for a paint grid, as shown and  
described.

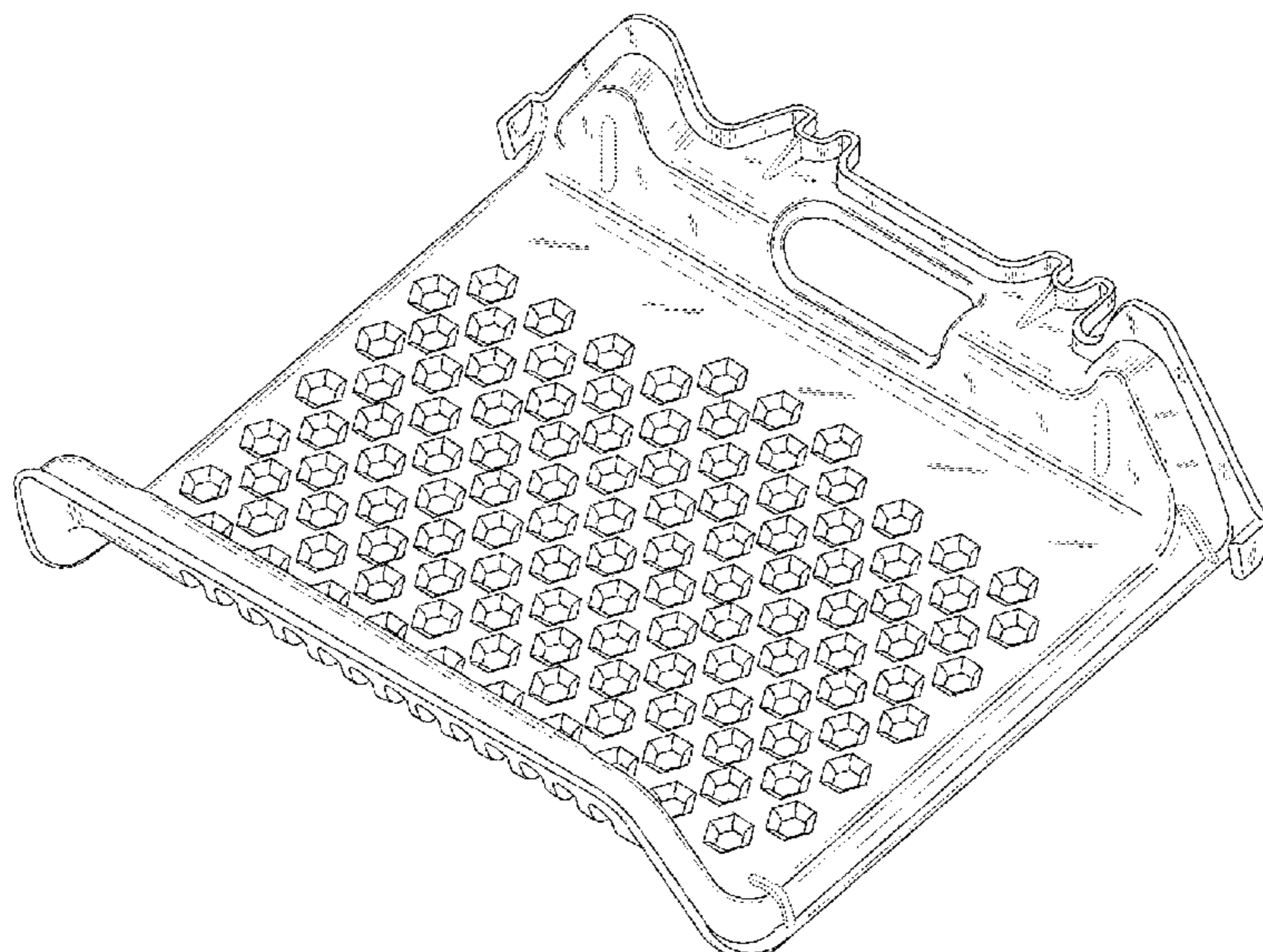
**DESCRIPTION**

FIG. 1 is a perspective view of a first embodiment thereof;  
FIG. 2 is a rear view thereof;  
FIG. 3 is a front view thereof;  
FIG. 4 is a bottom view thereof;  
FIG. 5 is a top view thereof;  
FIG. 6 is a right side view thereof, as taken from the right  
side of FIG. 3;  
FIG. 7 is a left side view thereof, as taken from the left side  
of FIG. 3; and,  
FIG. 8 is a sectional view, as taken along lines 8--8 in FIG.  
3.

The broken lines depict portions of the paint grid that form  
no part of the claim.

**1 Claim, 5 Drawing Sheets**

(56) **References Cited**  
U.S. PATENT DOCUMENTS  
2,827,648 A 3/1958 Geisz  
D205,958 S \* 10/1966 Nordby ..... D32/67  
D264,147 S 5/1982 Heath  
5,283,928 A 2/1994 Linn  
5,472,111 A 12/1995 Renfrew  
6,260,730 B1 7/2001 Fellman  
7,036,182 B2 5/2006 Bukovitz  
7,137,168 B2 11/2006 Mann  
D535,794 S 1/2007 Lundy  
D549,913 S 8/2007 Bergman  
D581,118 S 11/2008 Bergman  
D604,920 S 11/2009 Bergman



(56)

**References Cited**

U.S. PATENT DOCUMENTS

D678,638	S	3/2013	Bergman	
8,661,603	B2	3/2014	Velazquez	
8,918,949	B2	12/2014	Petersen	
D723,235	S *	2/2015	Bergman	..... D32/53.1
D740,509	S *	10/2015	Bergman	..... D32/53.1
D846,822	S *	4/2019	Boyce	..... D32/54
D949,687	S *	4/2022	Flaherty	..... D9/434
2006/0064843	A1	3/2006	Maria Cornelissen	
2006/0226156	A1	10/2006	Lundy	
2010/0089931	A1	4/2010	Sheehy	
2016/0185155	A1*	6/2016	Bergman	..... B44D 3/128 15/257.06

OTHER PUBLICATIONS

“Paint roller screens” google images internet search accessed before Sep. 18, 2013, 5 pages.

“Paint roller grids” google images internet search accessed before Sep. 18, 2013, 1 page.

“Trays, Buckets, Screens & Liners,” on Sherwin Williams website accessed before Sep. 18, 2013, 3 pages.

“Contractor Series Mini Roller Gallon Plastic G Screen,” on Sherwin Williams website accessed before Sep. 18, 2013, 1 page.

“Heavy Duty Metal 5 Gallon Grid,” on Sherwin Williams website accessed before Sep. 18, 2013, 1 page.

“Economy Metal 5 Gallon Grid,” on Sherwin Williams website accessed before Sep. 18, 2013, 1 page.

“Quality Grid Makes Painting a Snap,” on Wooster Brush Company website accessed before Sep. 18, 2013, 1 page.

“Buckets and Grids,” on Wooster Brush Company on-line catalog accessed before Sep. 18, 2013, 2 pages.

“Buckets and Grids,” on Wooster Brush Company on-line catalog accessed before Sep. 18, 2013, 1 page.

“Wooster 10½ in. Snap Screen,” on Home Depot website accessed before Sep. 18, 2013, 2 pages.

\* cited by examiner

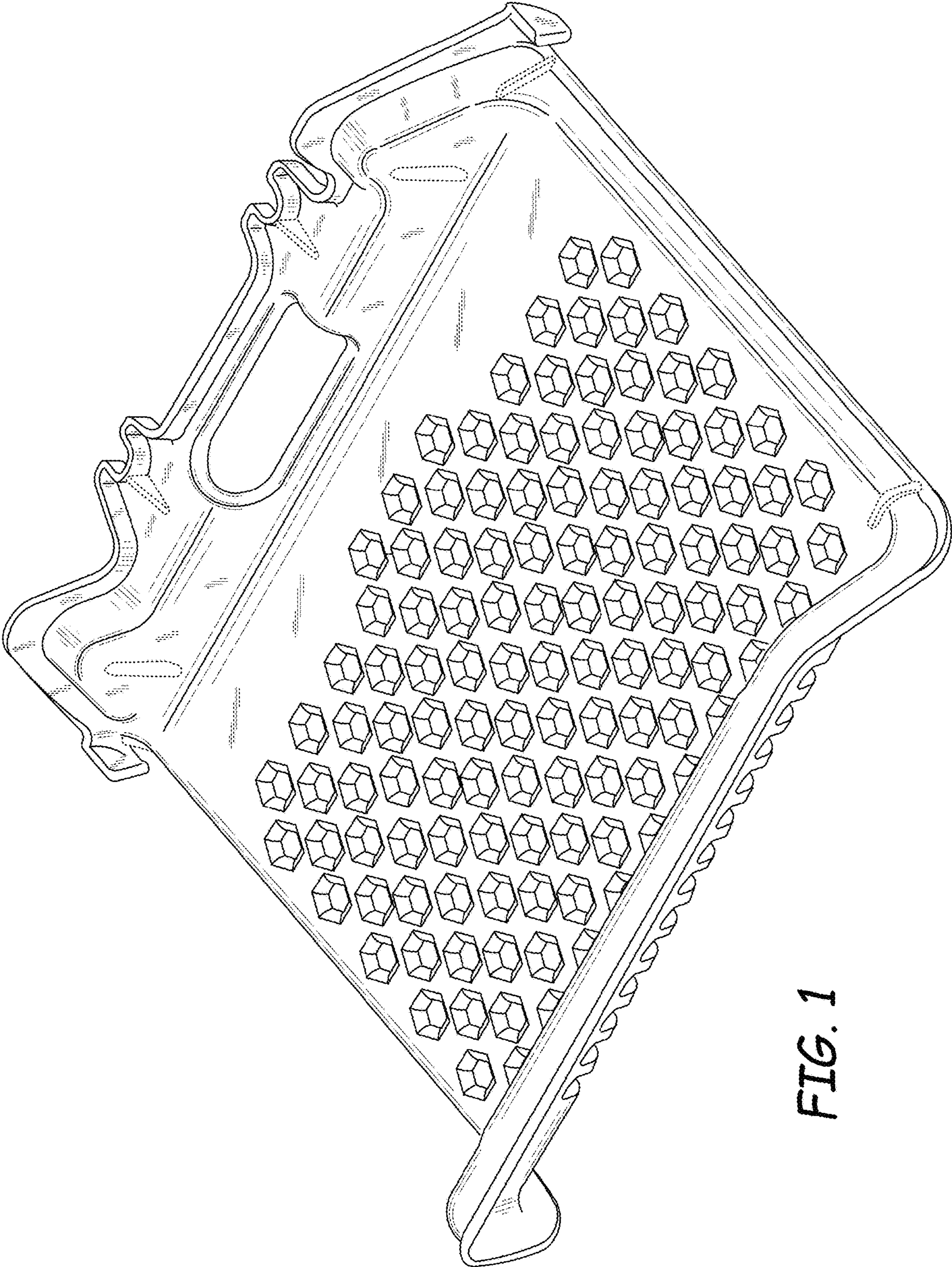


FIG. 1

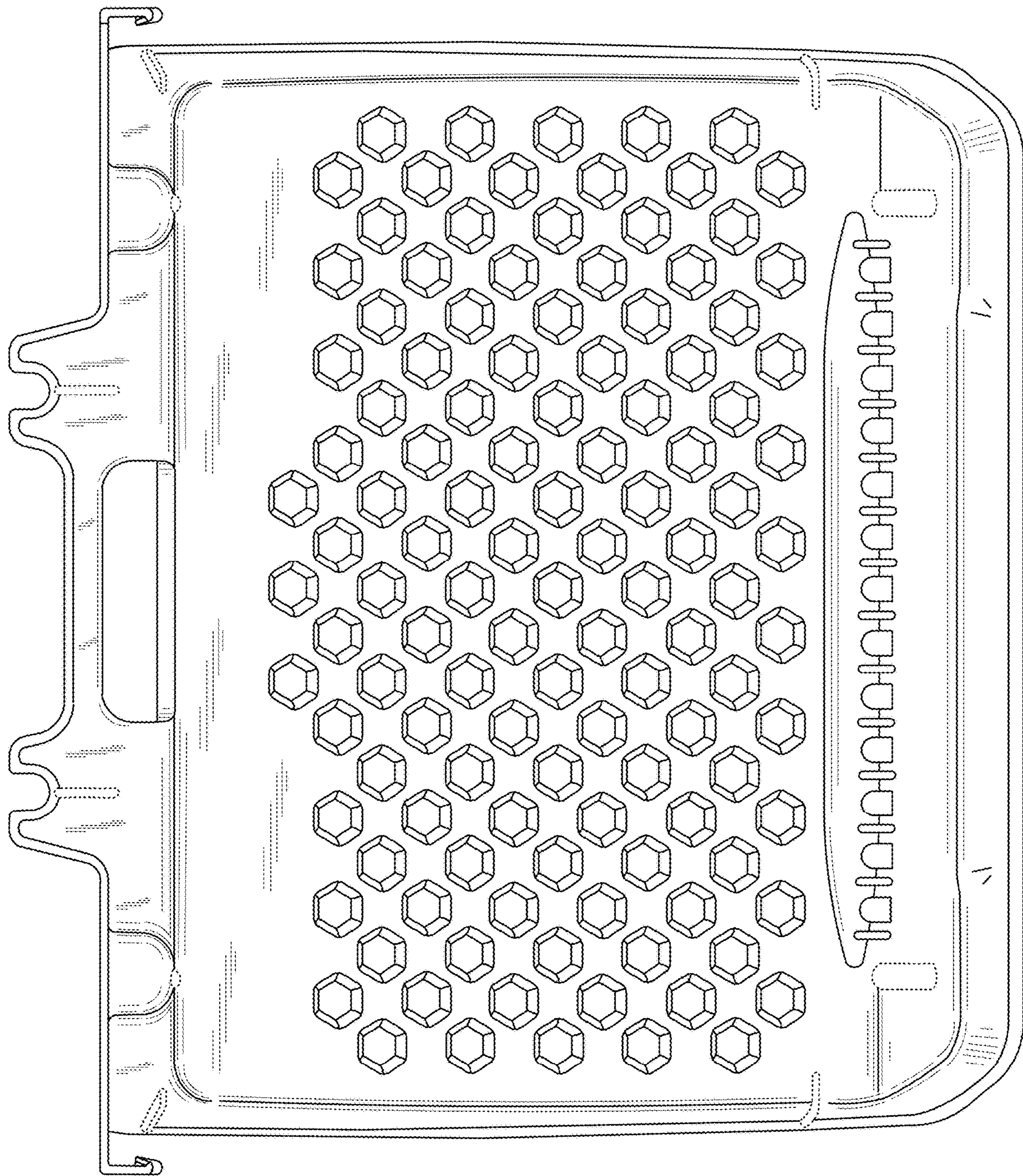


FIG. 2

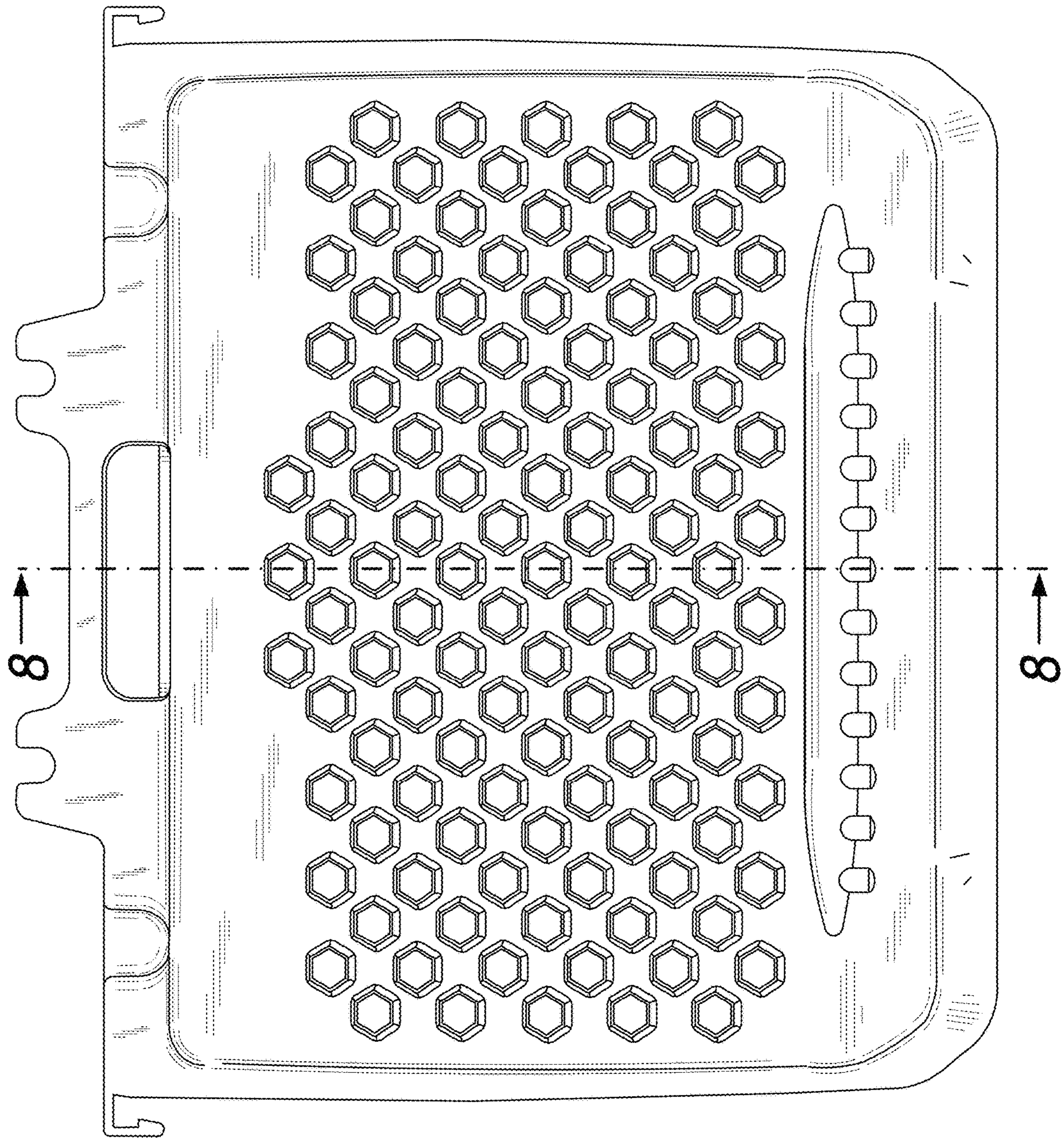


FIG. 3

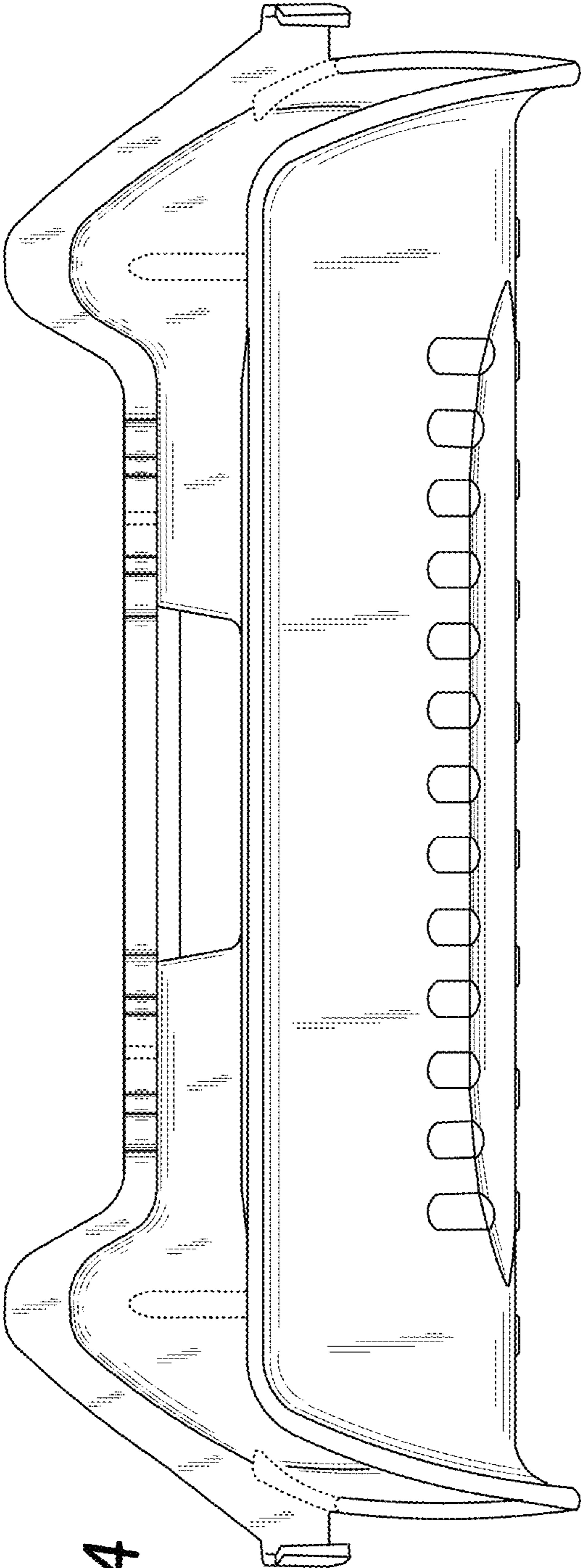


FIG. 4

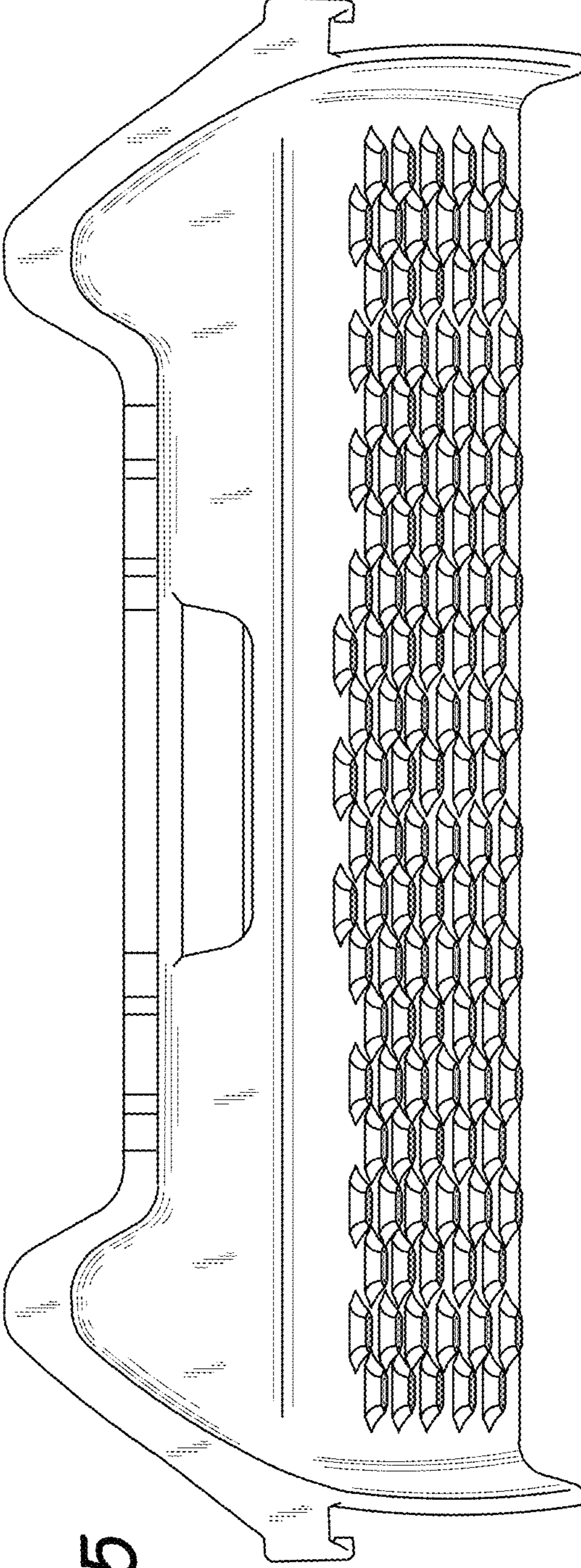


FIG. 5

FIG. 6

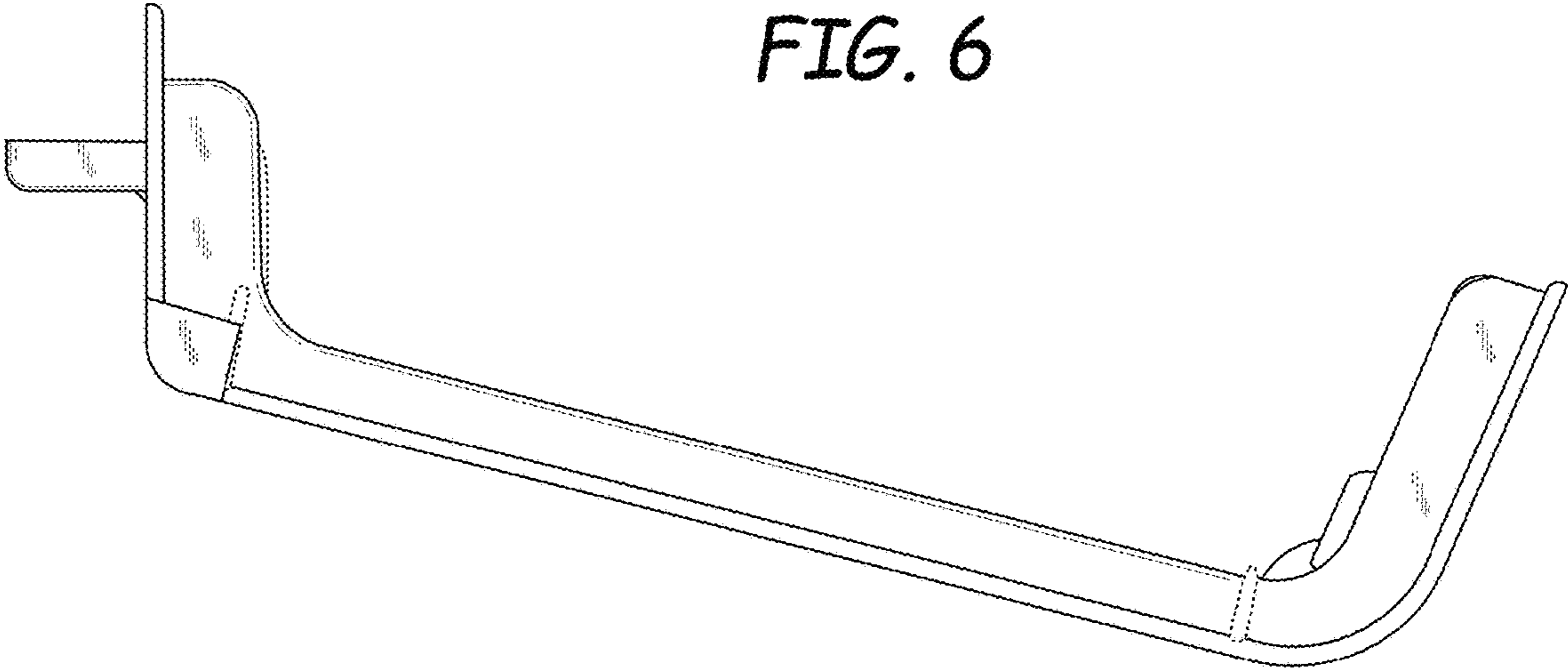


FIG. 7

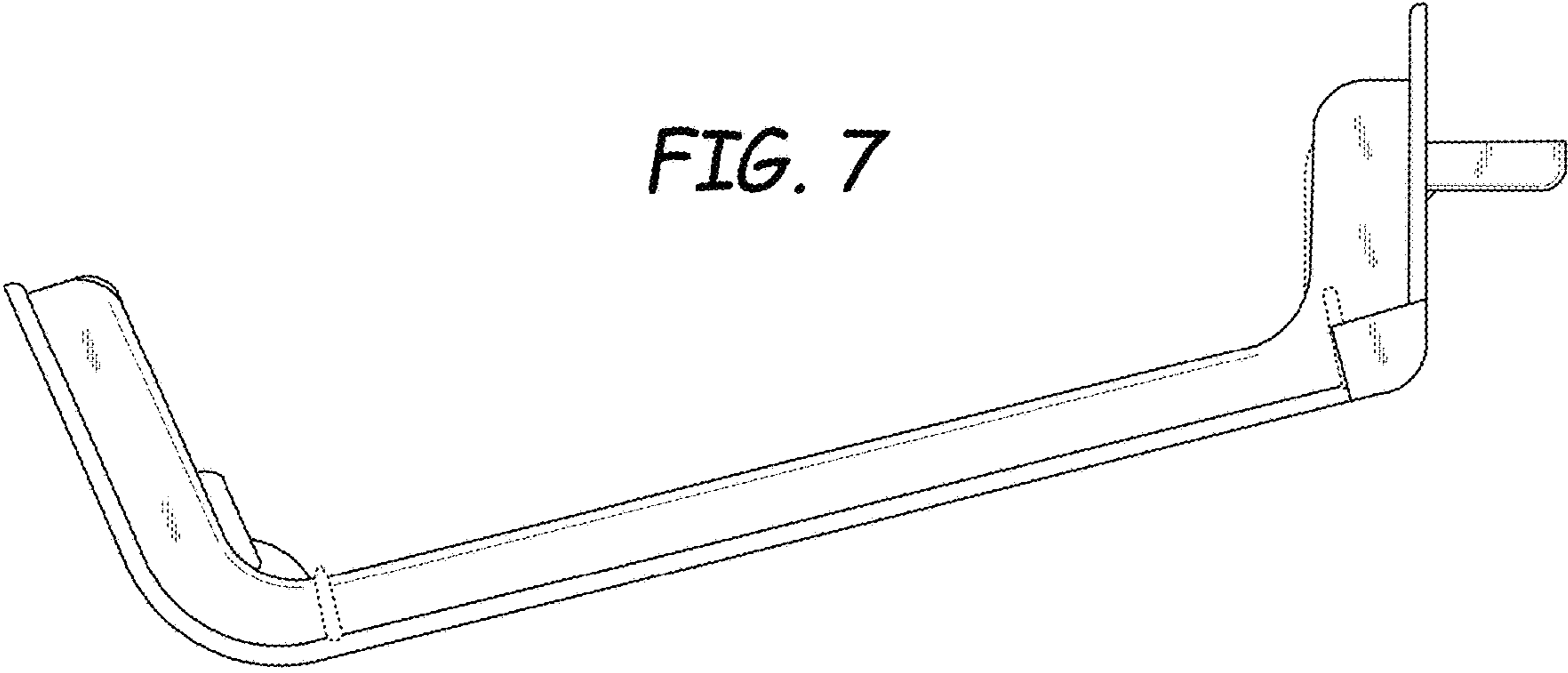


FIG. 8

