

US00D977773S

(12) **United States Design Patent** (10) **Patent No.:** **US D977,773 S**  
**Miller** (45) **Date of Patent:** **\*\* Feb. 7, 2023**

(54) **CONSTRUCTION BUCKET HAVING A SLOPED INTERIOR BOTTOM SURFACE**

(71) Applicant: **Daniel Miller**, Haleiwa, CA (US)  
(72) Inventor: **Daniel Miller**, Haleiwa, CA (US)  
(73) Assignee: **Daniel Miller**, Kaneohe, HI (US)  
(\*\*) Term: **15 Years**

(21) Appl. No.: **35/001,788**

(22) Filed: **Jan. 16, 2020**

(80) **Hague Agreement Data**

Int. Filing Date: **Jan. 16, 2020**

Int. Reg. No.: **DM/210426**

Int. Reg. Date: **Jan. 16, 2020**

Int. Reg. Pub. Date: **Oct. 2, 2020**

(51) **LOC (14) Cl.** ..... **07-05**

(52) **U.S. Cl.**  
USPC ..... **D32/53**

(58) **Field of Classification Search**

USPC ..... D32/37, 53, 53.1, 54; D7/603, 605, 523,  
D7/540, 584, 640; D22/136; D34/1, 39;

(Continued)

(56) **References Cited**

**U.S. PATENT DOCUMENTS**

D19,690 S \* 3/1890 Overton ..... D11/152  
983,446 A \* 2/1911 Humphrey ..... B65D 25/32  
220/318

(Continued)

**FOREIGN PATENT DOCUMENTS**

SG 2003112C-0001 \* 3/2003

**OTHER PUBLICATIONS**

Amazon Vestil Pail, May 25, 2012, [online], [site visited Oct. 7, 2021]. Retrieved from url: <https://www.amazon.com/Vestil-PAIL-6-PWS-Plastic-Handle-Capacity/dp/B0052P2DRG/> (Year: 2021).\*

(Continued)

*Primary Examiner* — Tracey J Bell

(74) *Attorney, Agent, or Firm* — Newman Du Wors LLP

(57) **CLAIM**

The ornamental design for a construction bucket having a sloped interior bottom surface, as shown and described.

**DESCRIPTION**

1. Construction bucket having a sloped interior bottom surface

FIG. 1.1 is a top perspective view of a construction bucket having a sloped interior bottom surface in accordance with my invention;

FIG. 1.2 is a bottom perspective view of the construction bucket having a sloped interior bottom surface;

FIG. 1.3 is a front view of the construction bucket having a sloped interior bottom surface;

FIG. 1.4 is a side view of the construction bucket having a sloped interior bottom surface;

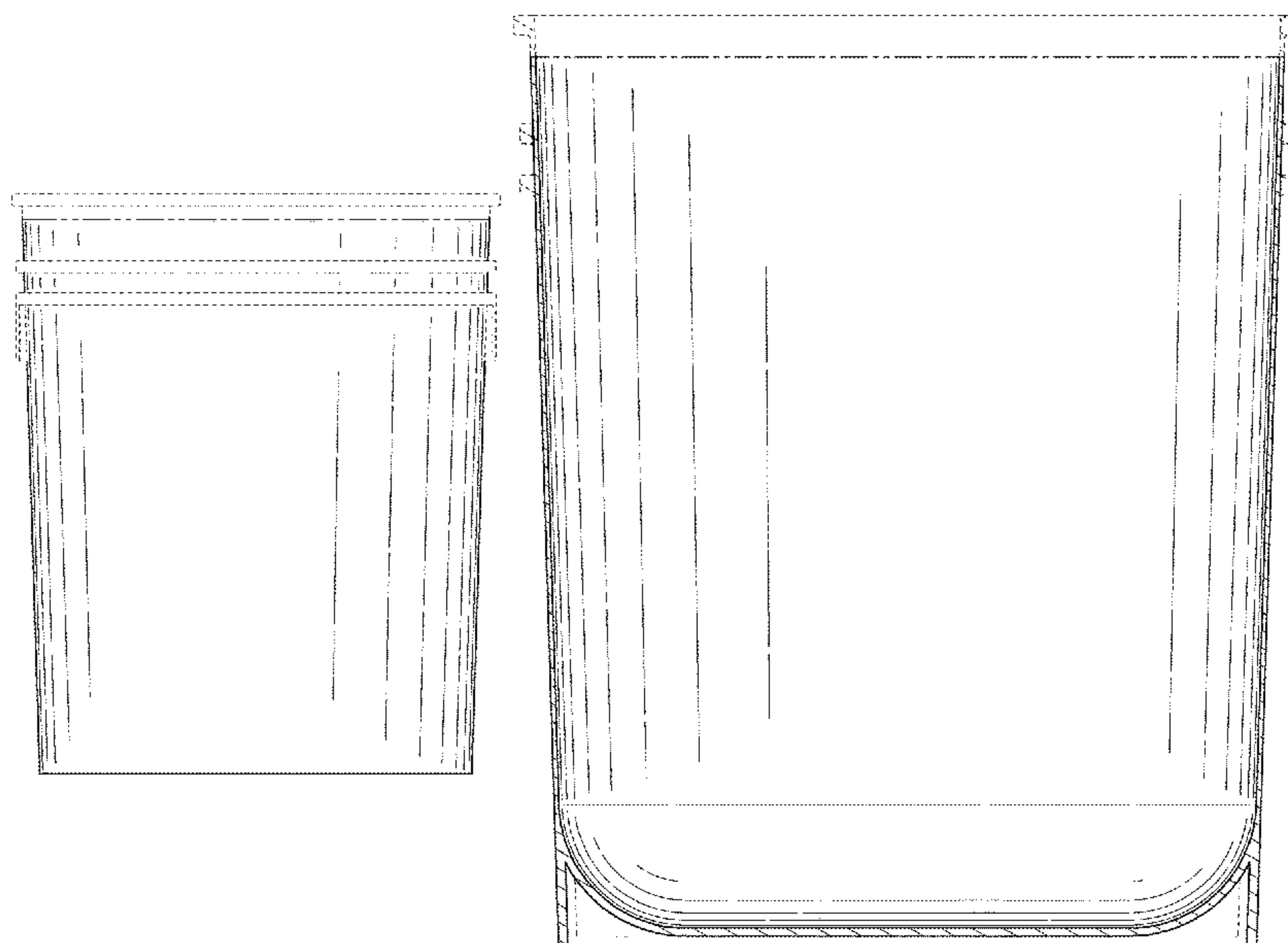
FIG. 1.5 is a top view of the construction bucket having a sloped interior bottom surface;

FIG. 1.6 is a bottom view of the construction bucket having a sloped interior bottom surface; and

FIG. 1.7 is a cross-sectional view of the construction bucket having a sloped interior bottom surface taken vertically along the line, "7" of FIG. 1.6.

The evenly dashed broken lines depict portions of the construction bucket and environmental subject matter that forms no part of the claimed design. The short dash-short dash-long dash broken lines on the construction bucket depict boundaries to the claim that form no part of the claimed design. The broken lines form no part of the claimed design.

**1 Claim, 4 Drawing Sheets**



# US D977,773 S

Page 2

(58) **Field of Classification Search**

USPC ..... D11/152, 153, 154, 148; D9/500, 772,  
D9/549, 428; D21/472; D19/104  
CPC .. E04D 15/00; B01F 2215/0047; B01F 35/50;  
B44D 3/12; B65F 1/00; A47J 47/18;  
B65D 2543/00092; B65D 2543/00296;  
B65D 1/16; B65D 3/04; B65D 3/08;  
B65D 25/00; B65D 25/32

See application file for complete search history.

(56) **References Cited**

U.S. PATENT DOCUMENTS

1,883,135 A \* 10/1932 Walker ..... A01K 97/05  
43/56  
2,839,209 A \* 6/1958 Lester ..... B28B 1/002  
215/13.1  
D209,870 S \* 1/1968 Yates ..... D32/53  
D220,316 S \* 3/1971 Bardell ..... D34/39  
D220,973 S \* 6/1971 Yates ..... D32/53  
3,804,289 A \* 4/1974 Churan ..... B65D 21/0219  
D32/53  
D296,304 S \* 6/1988 Poirier ..... D9/500  
D352,143 S \* 11/1994 Arshinoff ..... D32/53  
5,520,306 A \* 5/1996 Umiker ..... B65D 1/46  
220/771  
D401,383 S \* 11/1998 Gish ..... F24F 13/22  
D34/1  
D493,929 S \* 8/2004 Schwarz ..... B01F 27/1134  
D32/53  
D548,393 S \* 8/2007 Smith ..... B65D 33/2508  
D27/125

H2217 H \* 6/2008 Smay ..... D9/503  
D590,561 S \* 4/2009 Baltz ..... D32/53  
D684,327 S \* 6/2013 Bonafide ..... D32/53  
D743,136 S \* 11/2015 Condiff ..... D32/53  
D782,769 S \* 3/2017 Luburic ..... D32/53  
D821,669 S \* 6/2018 Arciniegas ..... B65D 21/0219  
D32/53  
D823,062 S \* 7/2018 Goodwin ..... D7/511  
D826,512 S \* 8/2018 Ching ..... D34/39  
D860,792 S \* 9/2019 Brozell ..... D9/500  
D869,328 S \* 12/2019 Nelson ..... D11/152  
D871,008 S \* 12/2019 Feng ..... D32/53  
D883,601 S \* 5/2020 Luburic ..... D32/53  
D922,145 S \* 6/2021 Kuh ..... D34/1  
D925,851 S \* 7/2021 Groshans ..... D32/54  
2004/0256275 A1 \* 12/2004 Diamond ..... B65D 21/0219  
206/508  
2008/0110904 A1 \* 5/2008 Smith ..... B65D 1/16  
220/608  
2009/0178727 A1 \* 7/2009 Murphy ..... F24F 13/22  
141/331  
2011/0163107 A1 \* 7/2011 Saunders ..... B01F 27/1134  
366/349  
2015/0048093 A1 \* 2/2015 Aki ..... B65D 33/2508  
141/10

OTHER PUBLICATIONS

Amazon Joey\_Z 10QT, May 13, 2019, [online], [site visited Oct. 7, 2021]. Retrieved from url: <https://www.amazon.com/Durable-Cleaning-Mopping-Projects-Storage/dp/B07RQMYMWN/> (Year: 2019).\*

\* cited by examiner

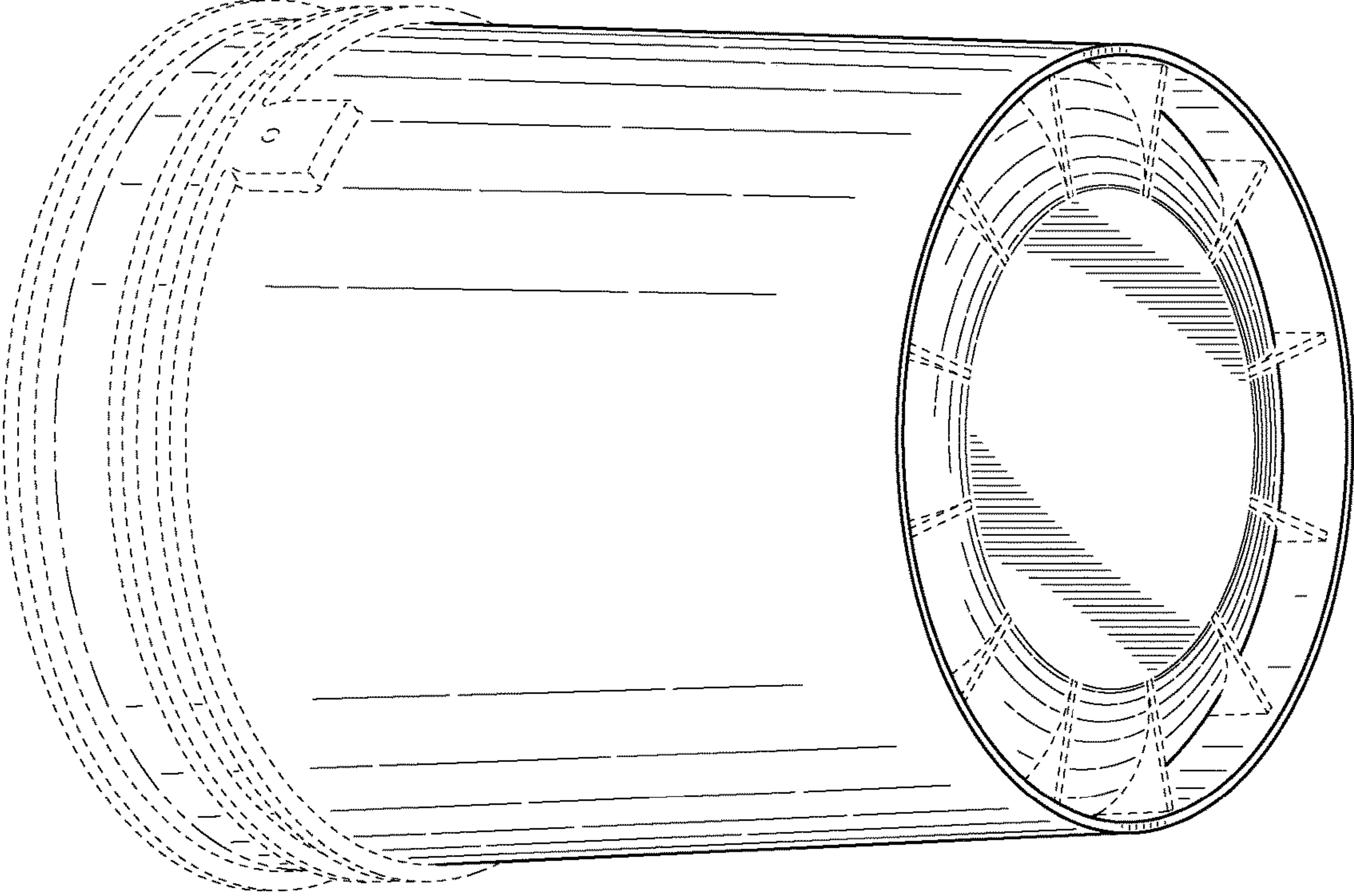


FIG. 1.2

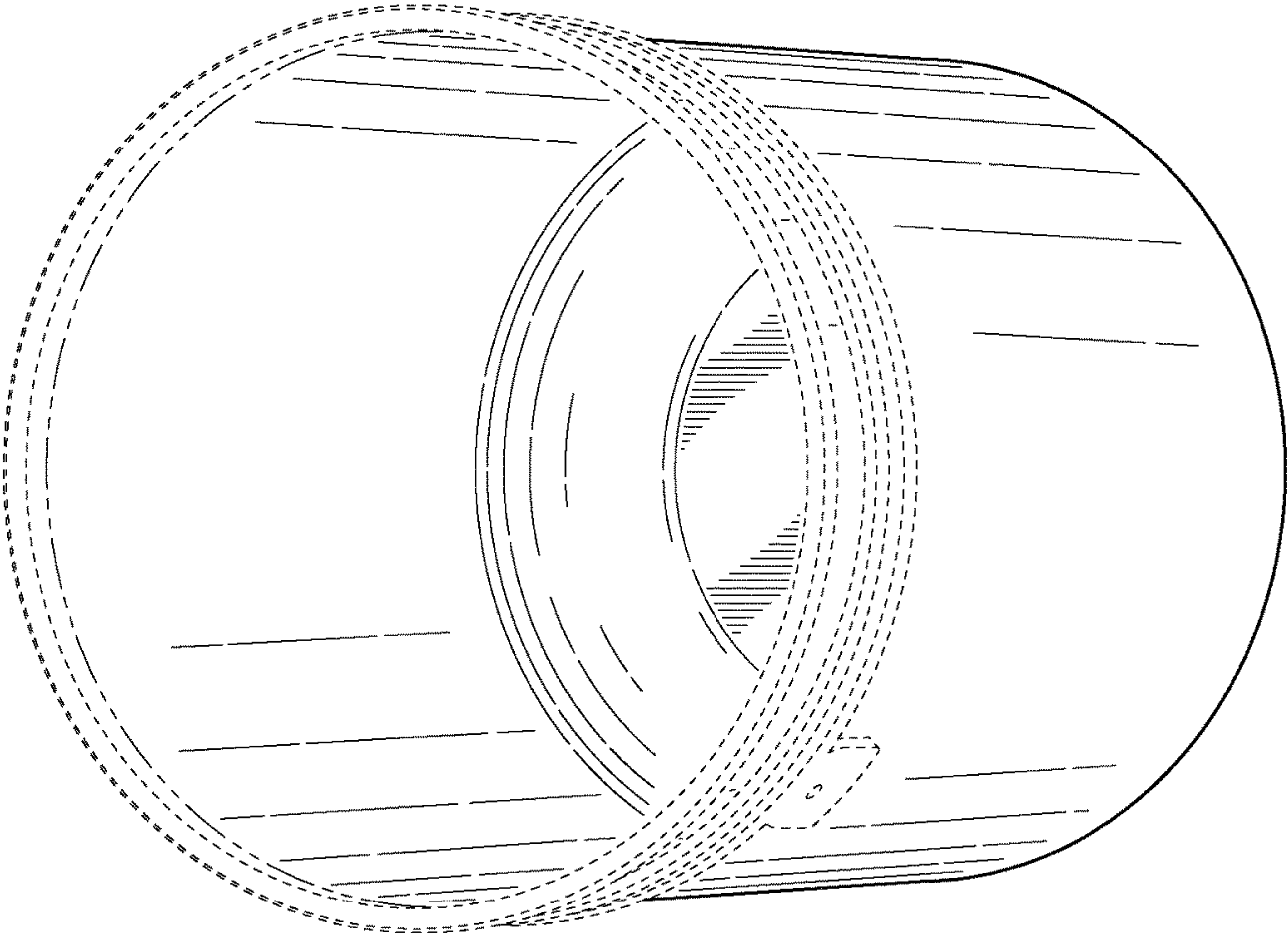


FIG. 1.1



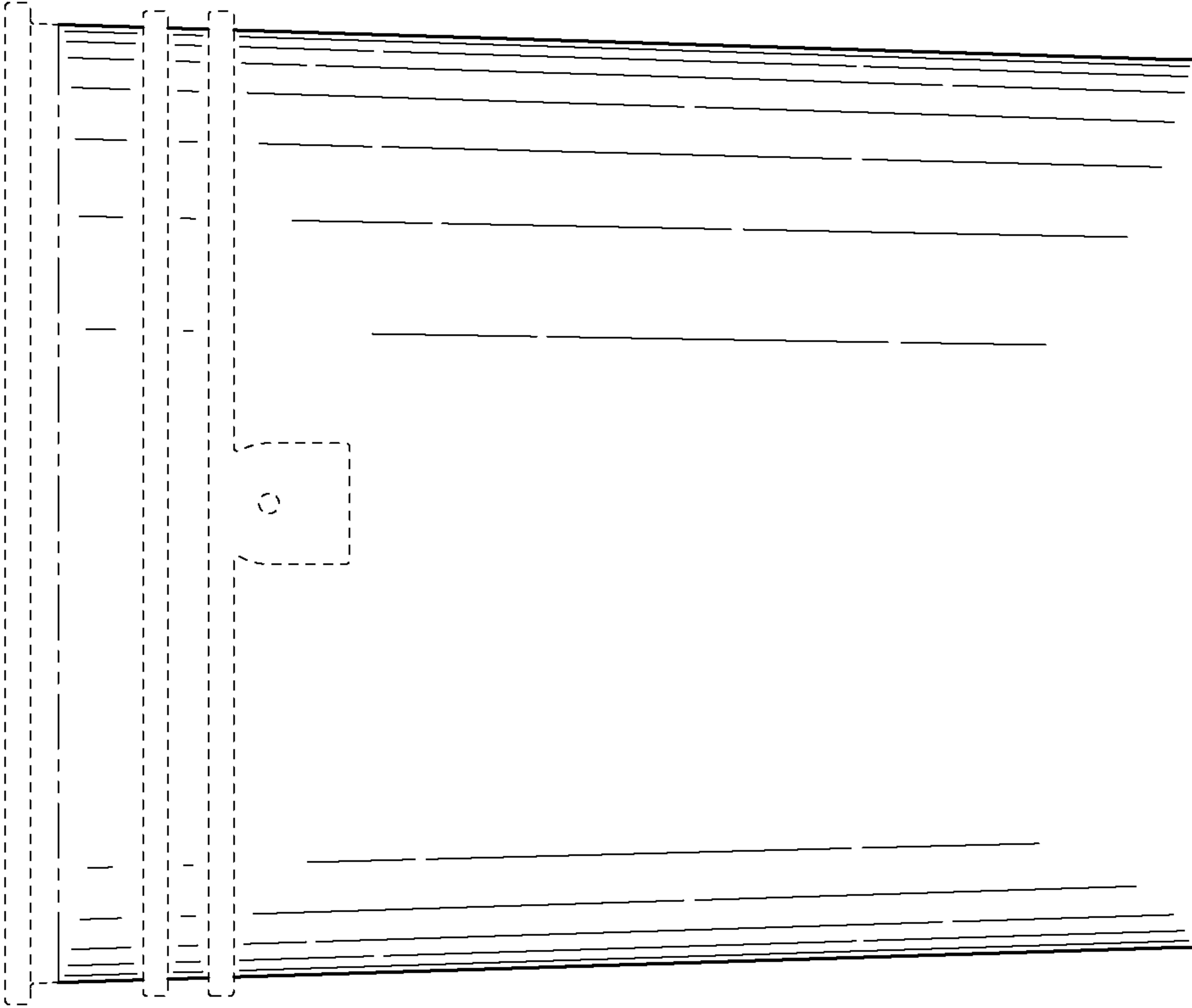


FIG. 1.4

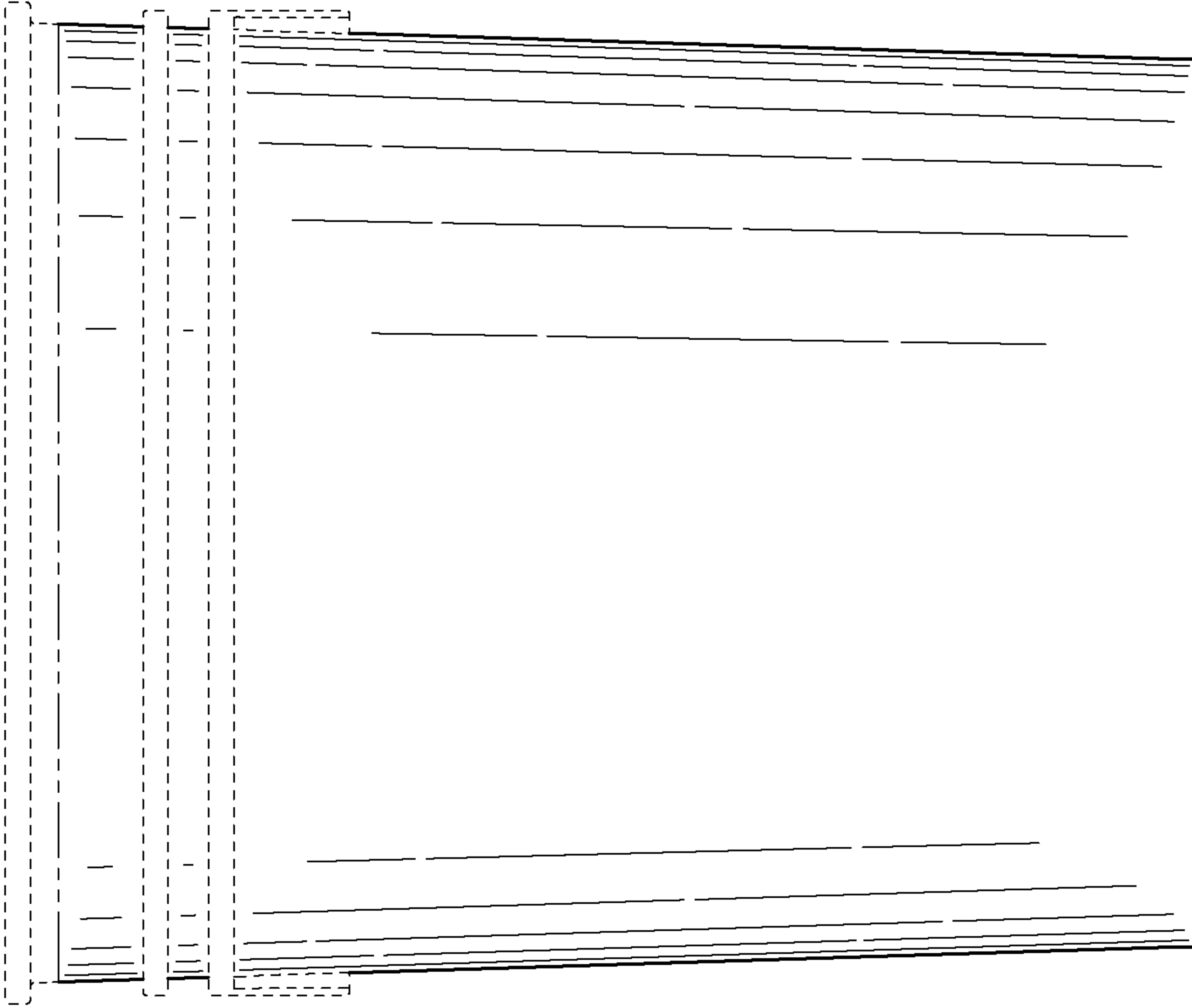


FIG. 1.3

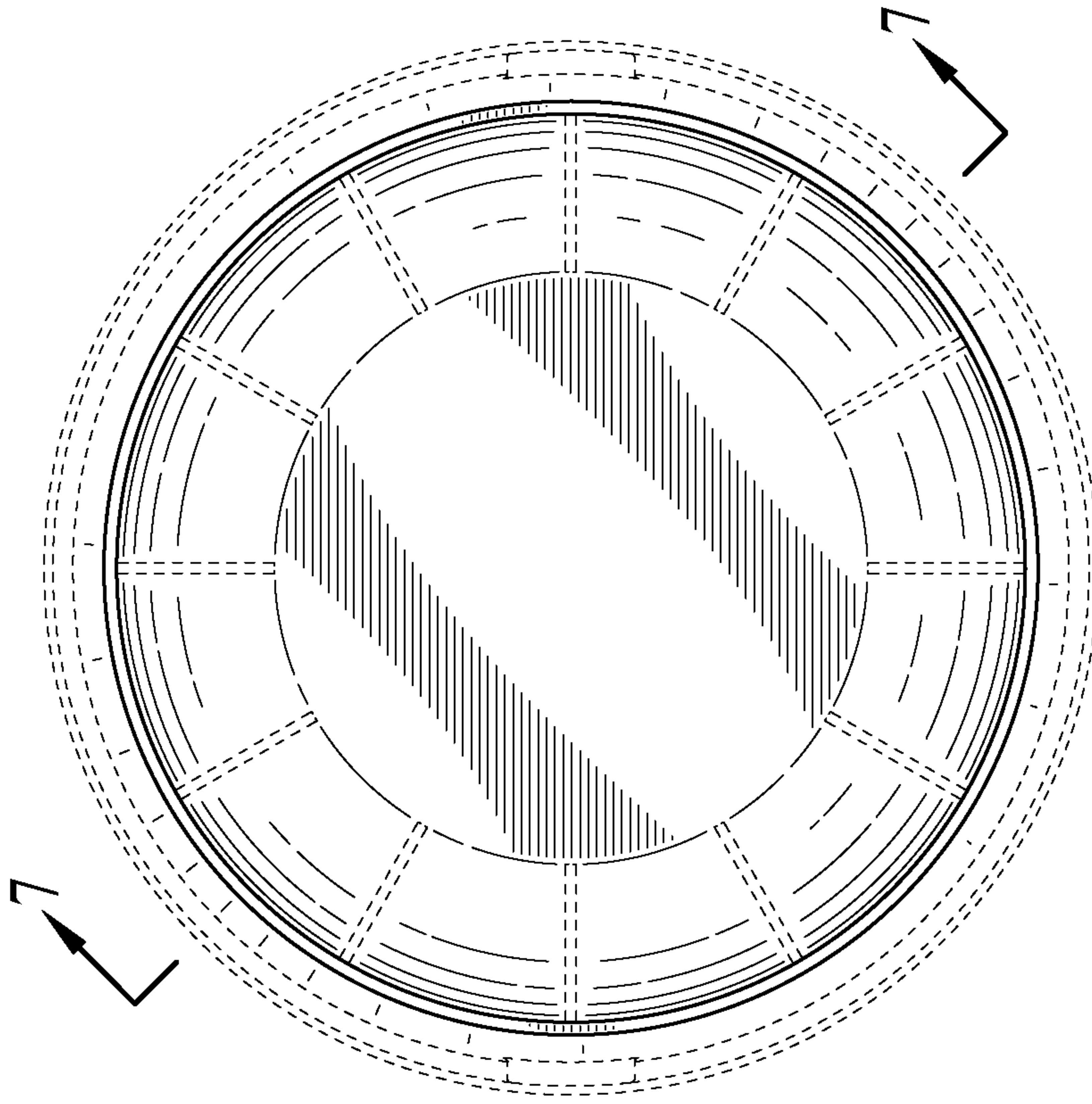


FIG. 1.6

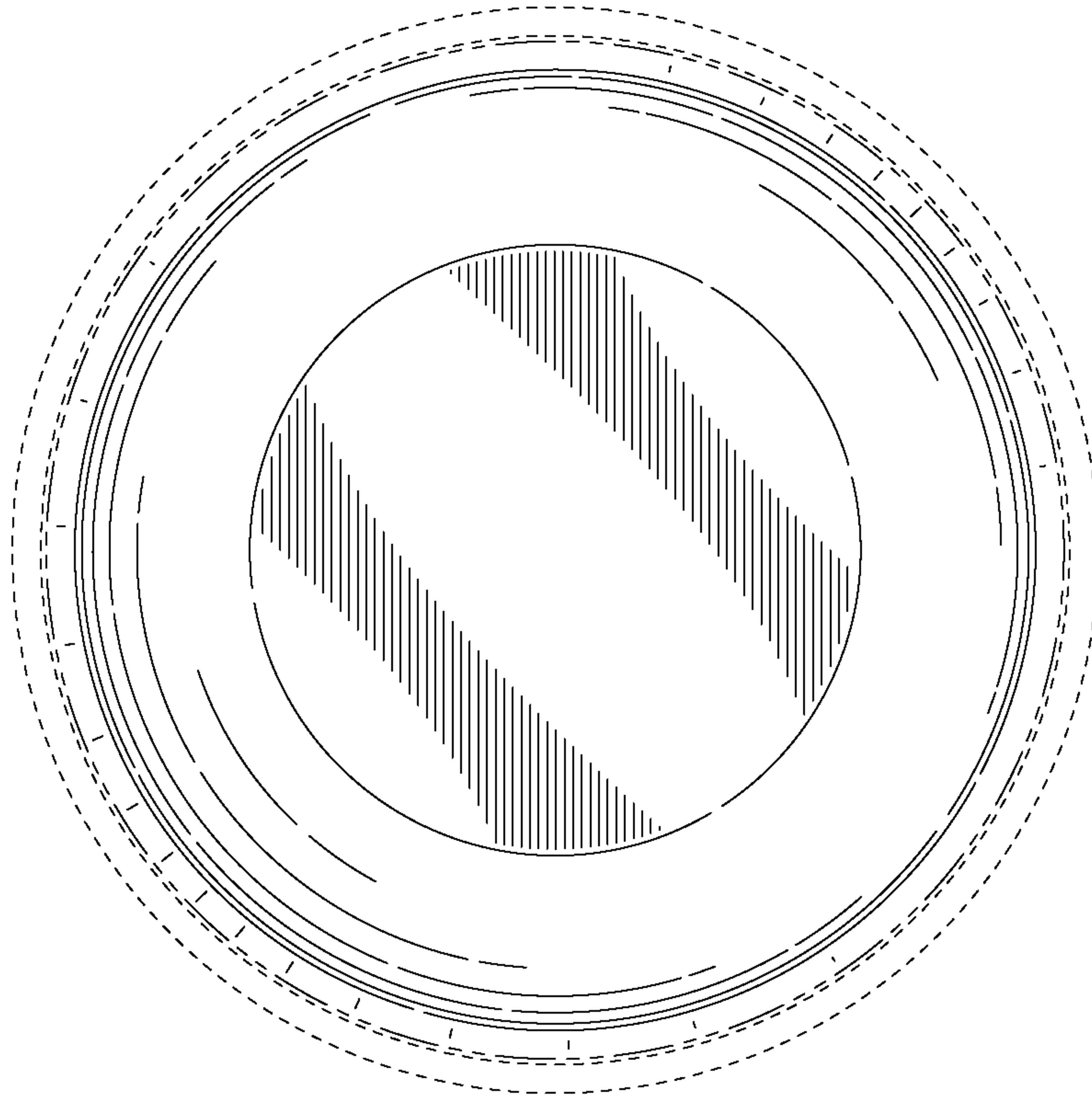


FIG. 1.5

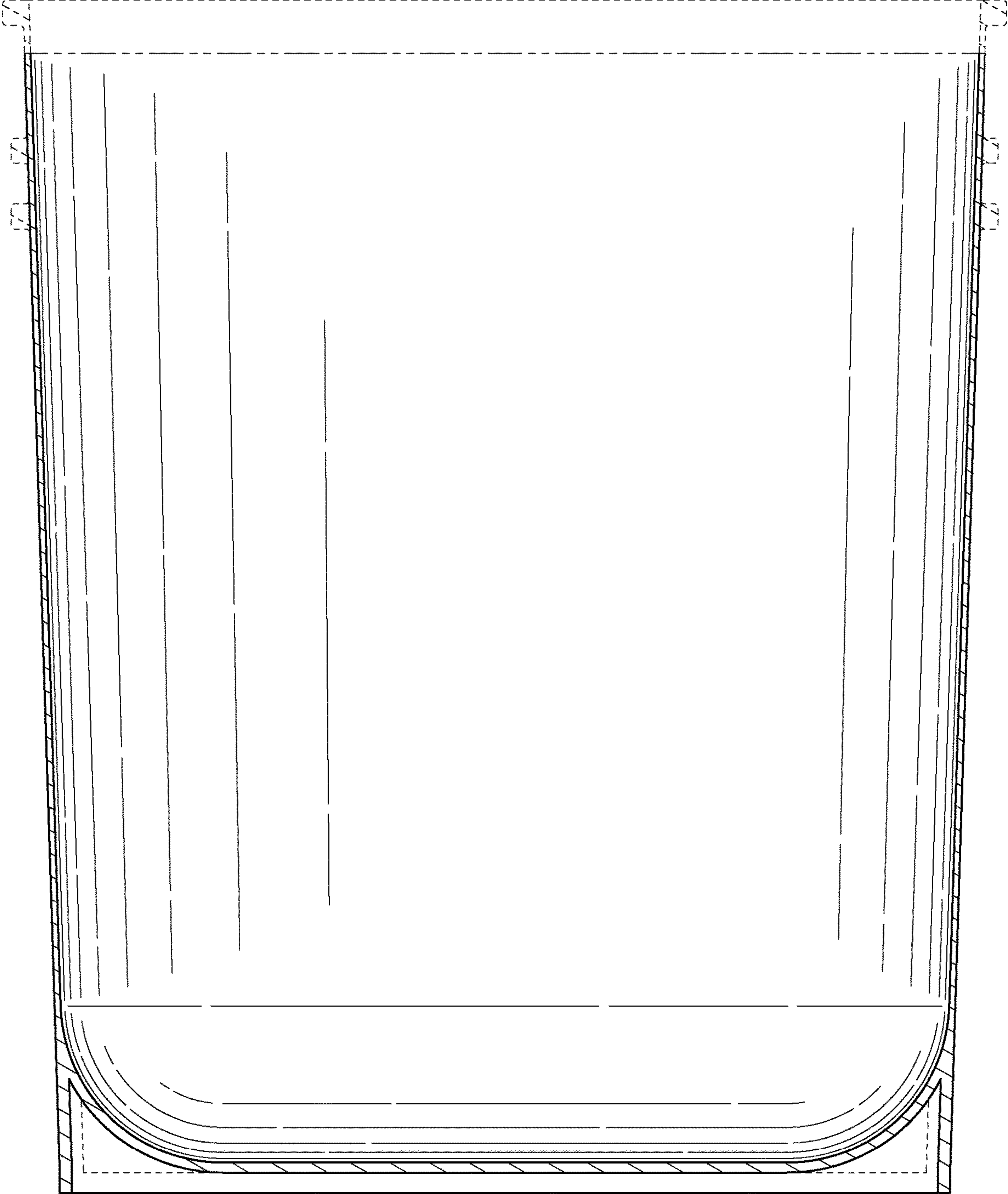


FIG. 1.7