



US00D977771S

(12) **United States Design Patent** (10) **Patent No.:** **US D977,771 S**
Gong et al. (45) **Date of Patent:** **** Feb. 7, 2023**

(54) **MOP HEAD**

A47L 13/502; A47L 9/2857; A47L 11/4075; A47L 9/2852; A47L 13/38; A47L 11/302; A47L 11/282; A47L 11/4013; A47L 13/42; A47L 11/4086; A47L

(71) Applicant: **Beijing Roborock Technology Co., Ltd.**, Beijing (CN)

(72) Inventors: **Dahong Gong**, Beijing (CN); **Hongliang Xu**, Beijing (CN)

(Continued)

(**) Term: **15 Years**

(56) **References Cited**

(21) Appl. No.: **35/512,225**

U.S. PATENT DOCUMENTS

(22) Filed: **Jun. 25, 2021**

D731,137 S * 6/2015 Colangelo A47L 13/17 D32/40
D756,581 S * 5/2016 Libman D32/50

(80) **Hague Agreement Data**

Int. Filing Date: **Jun. 25, 2021**
Int. Reg. No.: **DM/215232**
Int. Reg. Date: **Jun. 25, 2021**
Int. Reg. Pub. Date: **Jul. 23, 2021**

(Continued)

FOREIGN PATENT DOCUMENTS

CN 305679544 S 4/2020
CN 305730175 S 4/2020
DM 216551 6/2021

(30) **Foreign Application Priority Data**

Feb. 10, 2021 (CN) 202130097623.6

(51) **LOC (14) Cl.** **32-03**

(52) **U.S. Cl.**
USPC **D32/50**

(58) **Field of Classification Search**
USPC D32/17-18, 21-22, 45, 50, 51, 52
CPC A47L 13/20; A47L 13/24; A47L 13/46; A47L 13/22; A47L 2201/04; A47L 13/256; A47L 11/4011; A47L 13/58; A47L 13/16; A47L 13/12; A47L 11/4088; A47L 11/4083; A47L 13/60; A47L 13/142; A47L 13/44; A47L 11/4069; A47L 2201/00; A47L 13/252; A47L 11/4061; A47L 11/4044; A47L 13/146; A47L 11/4041; A47L 13/144; A47L 13/255; A47L 13/59; A47L 11/4036; A47L 11/4066; A47L 13/51; A47L 2201/06; A47L 13/254; A47L 11/4038; A47L 11/34; A47L 13/257; A47L 13/225; A47L 13/14; A47L 9/009; A47L 13/258; A47L 11/4016; A47L 13/17; A47L 11/24;

OTHER PUBLICATIONS

Office Action issued in counterpart Japanese Patent Application No. 2021-501202 dated Oct. 28, 2022.

Primary Examiner — Khawaja Anwar
(74) *Attorney, Agent, or Firm* — Morgan, Lewis & Bockius LLP

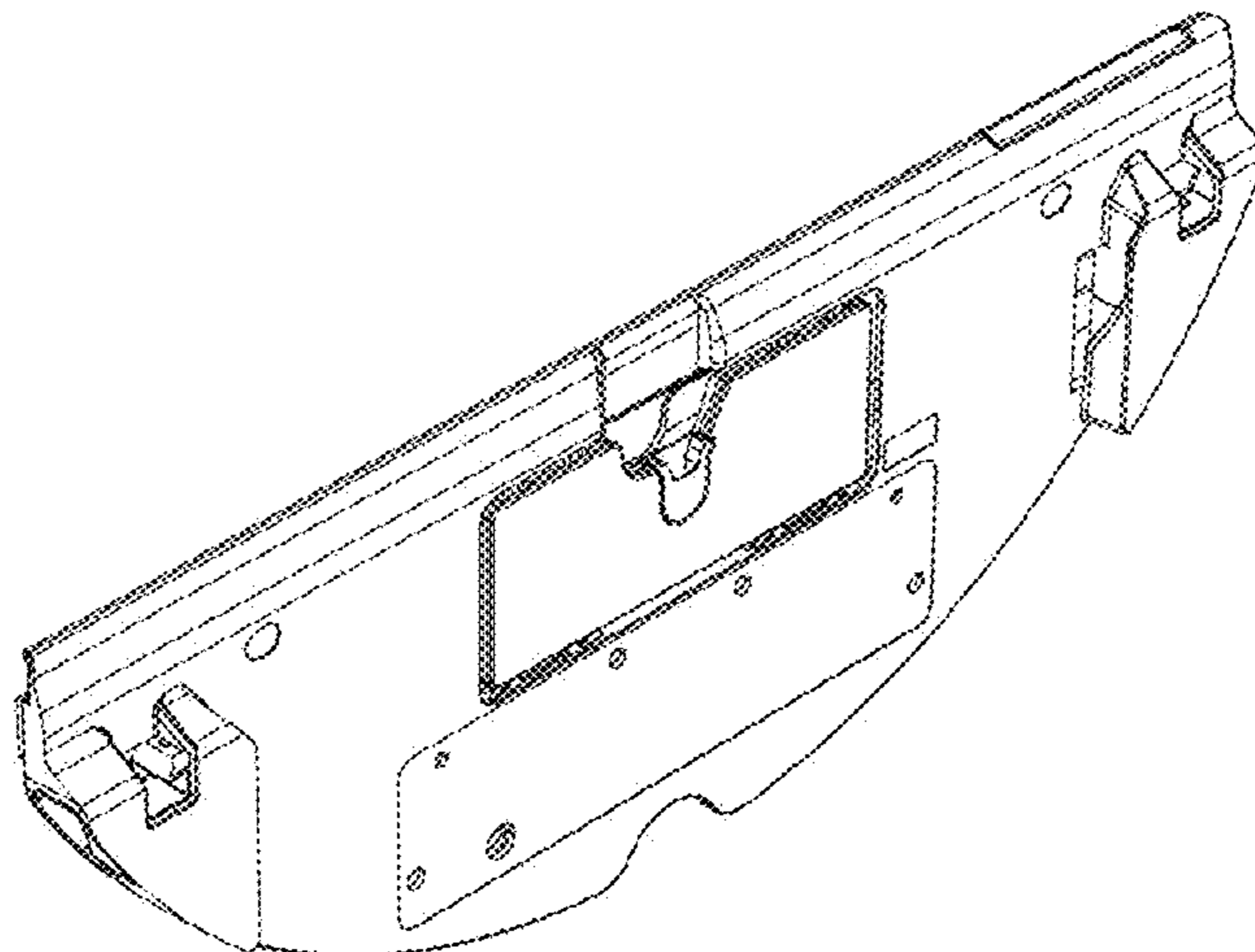
(57) **CLAIM**

The ornamental design for a mop head, as shown and described.

DESCRIPTION

- 1. Mop head
- 1.1 : Front
- 1.2 : Back
- 1.3 : Left
- 1.4 : Right
- 1.5 : Top
- 1.6 : Bottom
- 1.7 : Perspective

(Continued)



Figs. 1.1-1.7 show a mop head; the product is used by being mounted to the bottom surface of a cleaning robot meant for cleaning a floor.

1 Claim, 7 Drawing Sheets

(58) Field of Classification Search

CPC .. 11/4072; A47L 9/2826; A47L 13/512; A47L 9/2805; A47L 11/4005; A47L 13/26; A47L 11/292; A47L 9/02; A47L 9/0477; A47L 11/40; A47L 2201/022; A47L 11/4002; A47L 9/0686; A47L 9/122; A47L 9/28; A47L 11/408; A47L 13/50; A47L 9/2873; A47L 9/2884; A47L 11/4047; A47L 5/225; A47L 9/1608; A47L 9/0673; A47L 11/30; A47L 9/1683; A47L 5/24; A47L 7/0009; A47L 9/2894; A47L 11/4058; A47L 11/283; A47L 1/06; A47L 11/4091; A47L 11/4008; A47L 11/305; A47L 11/28; A47L 9/1691; A47L 5/28; A47L 9/1641; A47L 5/30; A47L 11/4027; A47L 11/201; A47L 13/29; A47L 7/0042; A47L 9/00; A47L 11/4025; A47L 13/253; A47L 7/0038; A47L 11/145; A47L 9/0411; A47L 9/106; A47L 11/00; A47L 7/0028; A47L 9/322; A47L 11/03; A47L 11/20; A47L 13/11; A47L 9/1666; A47L 13/30; A47L 11/33; A47L 11/405; A47L 13/10; A47L 25/005; A47L 13/25; A47L 9/22; A47L 7/0004; A47L 9/1625; A47L 11/26; A47L 9/127; A47L 9/2842; A47L 11/4055; A47L 11/16; A47L 11/161; A47L 17/00; A47L 9/325; A47L 9/06; A47L 13/23; A47L 9/0488; A47L 13/312; A47L 9/2847; A47L 13/52; A47L 11/293; A47L 7/0085; A47L 9/0466; A47L 9/32; A47L 11/4094; A47L 2201/024; A47L 5/26; A47L 9/12; A47L 11/4052; A47L 9/165; A47L 9/2889; A47L 11/29; A47L 9/1409; A47L 13/18; A47L 1/08; A47L 11/14; A47L 5/14; A47L 9/0472; A47L 9/04; A47L 9/14; A47L 13/282; A47L 2201/02; A47L 2201/028; A47L 9/30; A47L 7/00; A47L 11/284; A47L 9/0606; A47L 11/4097; A47L 13/40; A47L 5/16; A47L 9/1454; A47L 9/242; A47L 9/248; A47L 11/4077;

A47L 9/0036; A47L 11/10; A47L 11/4022; A47L 9/2831; A47L 11/125; A47L 11/4019; A47L 13/022; A47L 9/0433; A47L 11/22; A47L 11/12; A47L 11/185; A47L 25/00; A47L 13/08; A47L 13/19; A47L 2201/026; A47L 5/32; A47L 7/0014; A47L 9/16; A47L 25/08; A47L 9/0063; A47L 9/10; A47L 9/2836; A47L 11/02; A47L 11/206; A47L 11/4063; A47L 1/15; A47L 5/22; A47L 5/34; A47L 1/09; A47L 13/31; A47L 5/362; A47L 9/0494; A47L 9/0613; A47L 6/1633; A47L 13/00; A47L 15/4217; A47L 17/08; A47L 9/0081; A47L 9/0653; A47L 9/2815; A47L 11/04; A47L 11/19; A47L 7/0095; A47L 9/0693; A47L 9/1427; A47L 9/281; A47L 11/164; A47L 9/24; A47L 9/2878; A47L 11/18; A47L 5/365; A47L 9/0666; A47L 9/244; A47L 15/4229; A47L 9/0444; A47L 9/246; A47L 1/02; A47L 1/05; A47L 11/08; A47L 11/2025; A47L 11/38; A47L 15/241; A47L 9/0455; A47L 7/0057; A47L 9/0626; A47L 9/066; A47L 9/068; A47L 9/2868; A47L 11/085; A47L 11/202; A47L 23/266; A47L 2601/20; A47L 9/0009; A47L 9/19; A47L 11/403; A47L 13/02; A47L 5/36; A47L 5/38; A47L 7/0019; A47L 7/0023; A47L 11/1625; A47L 13/48; A47L 11/06; A47L 13/41; A47L 9/0018; A47L 9/0054; A47L 9/0422; A47L 9/104; A47L 9/1463; A47L 9/2821; A47L 11/294; A47L 7/009; A47L 9/0072; A47L 9/102

See application file for complete search history.

(56)

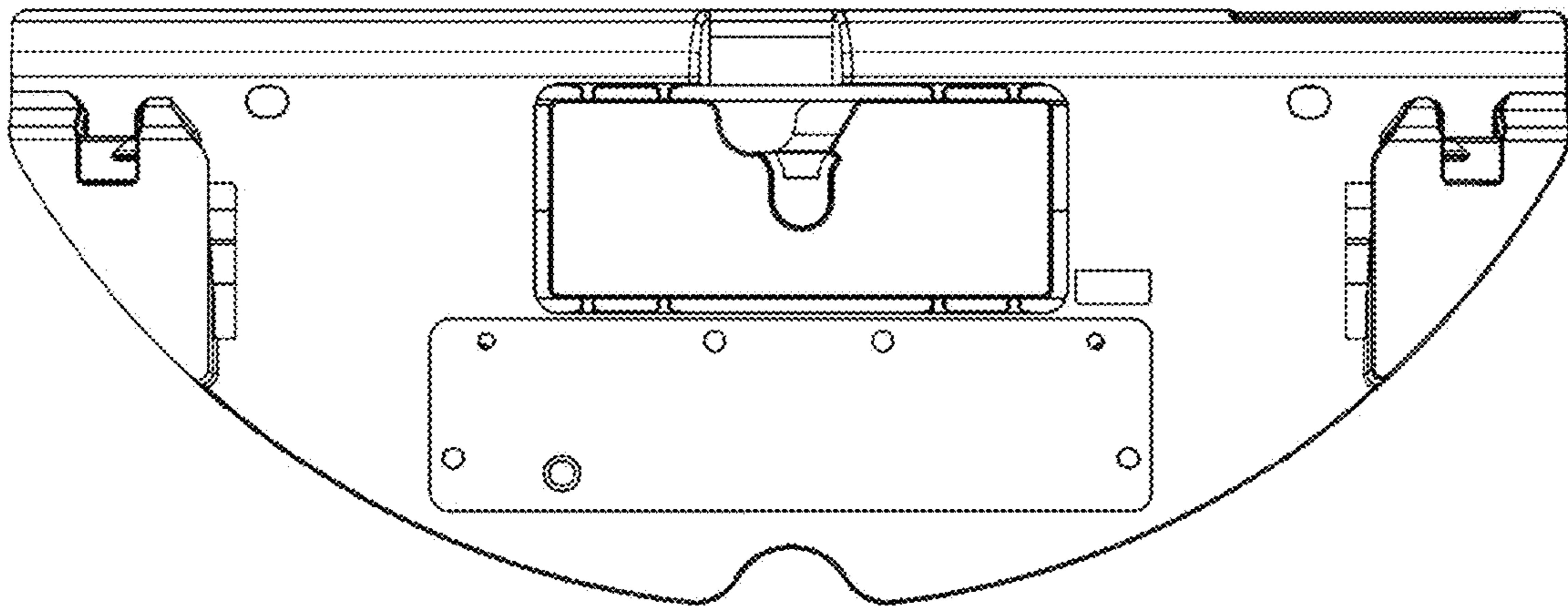
References Cited

U.S. PATENT DOCUMENTS

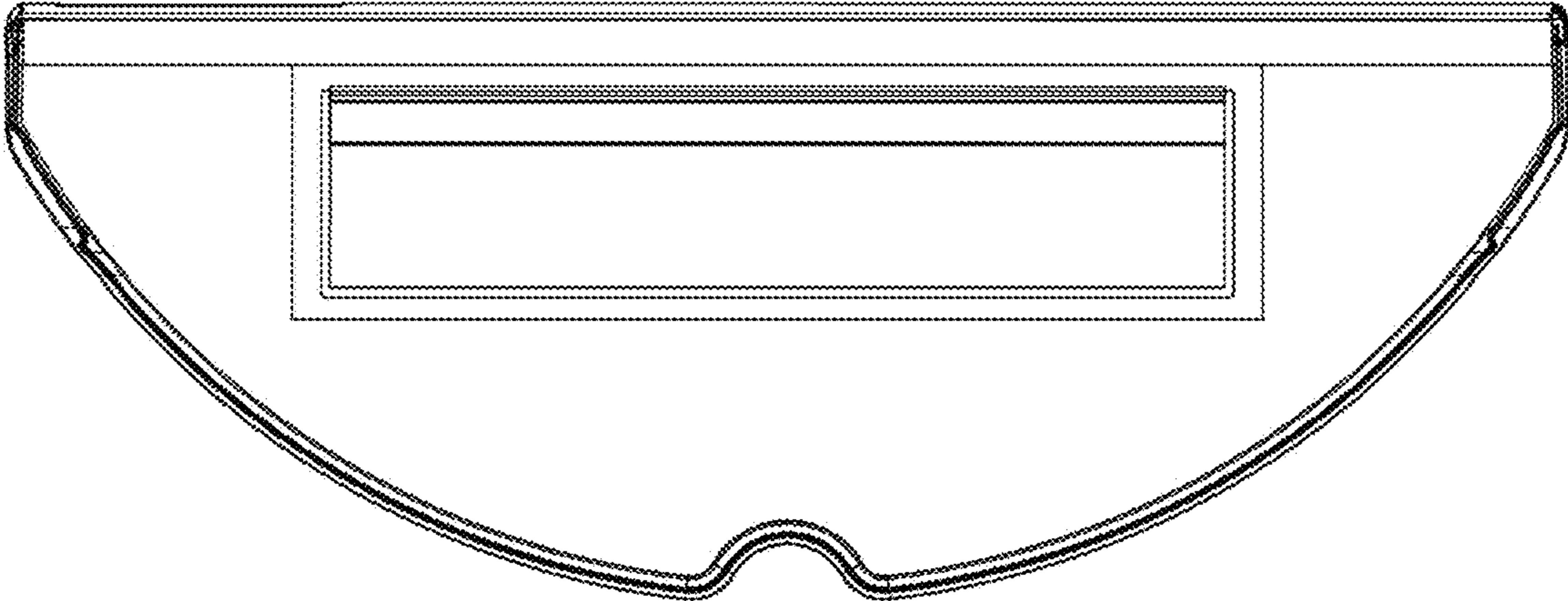
D759,329	S	*	6/2016	Colangelo	D32/50
D850,047	S	*	5/2019	James	D32/50
D885,002	S	*	5/2020	James	D32/50
D946,225	S	*	3/2022	Mathias	D32/38
D946,844	S	*	3/2022	Mathias	D32/39
D948,148	S	*	4/2022	Mathias	D32/40
D948,149	S	*	4/2022	Mathias	D32/40
D951,570	S	*	5/2022	Brugora	D32/50
D952,278	S	*	5/2022	Brugora	D32/50
D961,875	S	*	8/2022	Oh	D32/45

* cited by examiner

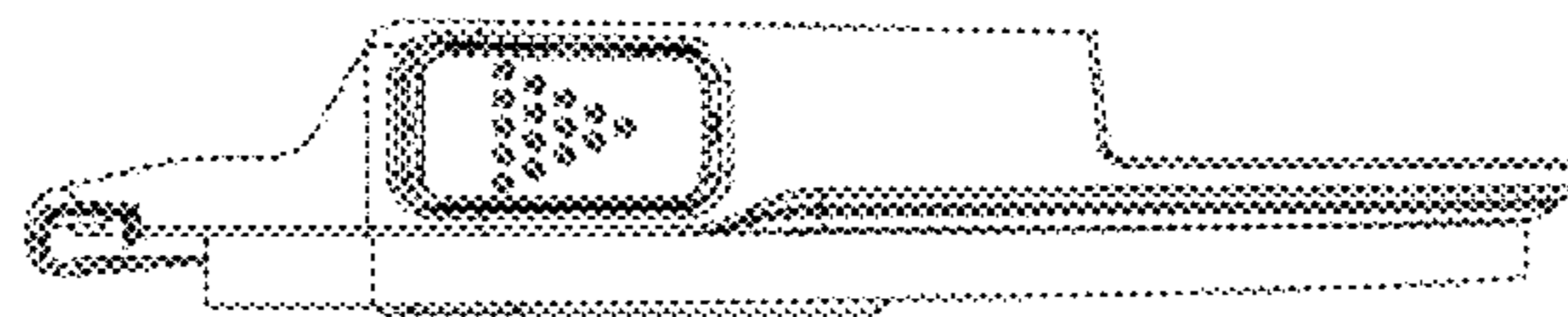
1.1



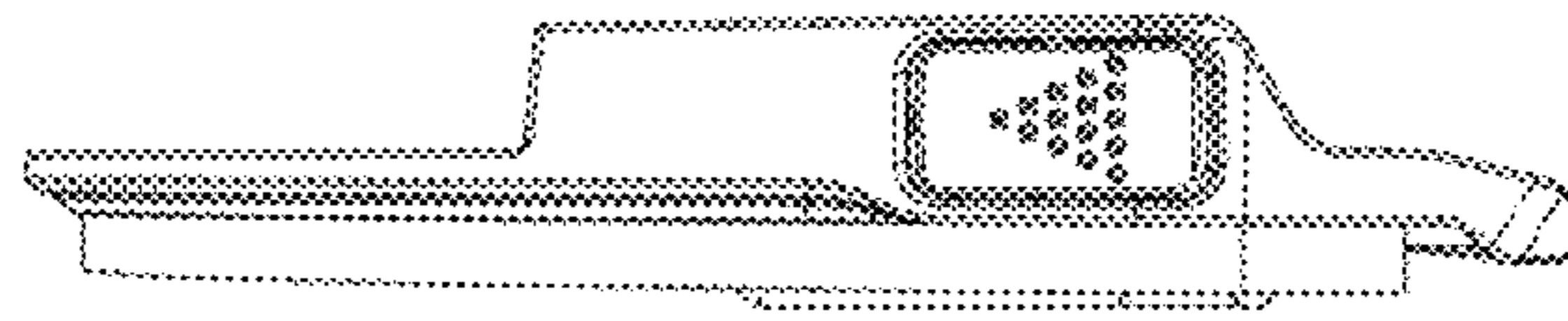
1.2



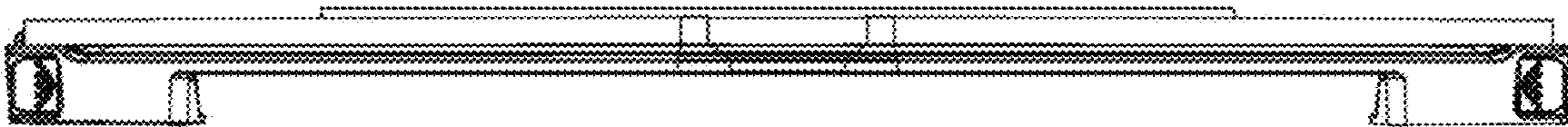
1.3



1.4



1.5



1.6



1.7

