



US00D977768S

(12) **United States Design Patent** (10) **Patent No.:** **US D977,768 S**
Ding et al. (45) **Date of Patent:** **** Feb. 7, 2023**

(54) **SPRAY ARM FOR DISHWASHER**

(71) Applicant: **MIDEA GROUP CO., LTD.**,
Guangdong (CN)
(72) Inventors: **Jinhui Ding**, Guangdong (CN); **Yan Xu**, Guangdong (CN); **Jianping Li**,
Guangdong (CN)
(73) Assignee: **MIDEA GROUP CO., LTD.**, Foshan
(CN)

(**) Term: **15 Years**

(21) Appl. No.: **35/512,478**

(22) Filed: **Jun. 4, 2021**

(80) **Hague Agreement Data**

Int. Filing Date: **Jun. 4, 2021**
Int. Reg. No.: **DM/215975**
Int. Reg. Date: **Jun. 4, 2021**
Int. Reg. Pub. Date: **Sep. 3, 2021**

(30) **Foreign Application Priority Data**

Dec. 14, 2020 (CN) 202030767488.7

(51) **LOC (14) Cl.** **15-05**

(52) **U.S. Cl.**
USPC **D32/3**

(58) **Field of Classification Search**

USPC D32/2, 3, 5, 6, 25, 29
CPC A47L 15/16; A47L 15/22; A47L 15/23;
A47L 15/4221; A47L 15/508; A47L
15/4463; A47L 15/4219; A47L 15/4278;
A47L 15/4282; A47L 15/4289; A47L
15/4445; A47L 15/0023; A47L 2401/24;

(Continued)

(56) **References Cited**

U.S. PATENT DOCUMENTS

D376,451 S * 12/1996 Osborn D32/3
D600,417 S * 9/2009 Geyer D32/25

(Continued)

FOREIGN PATENT DOCUMENTS

CN 304875004 * 11/2018
CN 306542081 * 5/2021

OTHER PUBLICATIONS

How To_GE Spray Arm Water Supply Tube WD12X10057, announced
in YouTube on Mar. 26, 2018 [online], [site visited Aug. 30, 2022],
Available from the internet URL: URL: <https://www.youtube.com/watch?v=KLhhOHxHT4Y> (Year: 2018).*

(Continued)

Primary Examiner — Jennifer Rivard
Assistant Examiner — Jennylou M Binas
(74) *Attorney, Agent, or Firm* — Kilpatrick Townsend &
Stockton LLP

(57) **CLAIM**

The ornamental design for a spray arm for dishwasher, as
shown and described.

DESCRIPTION

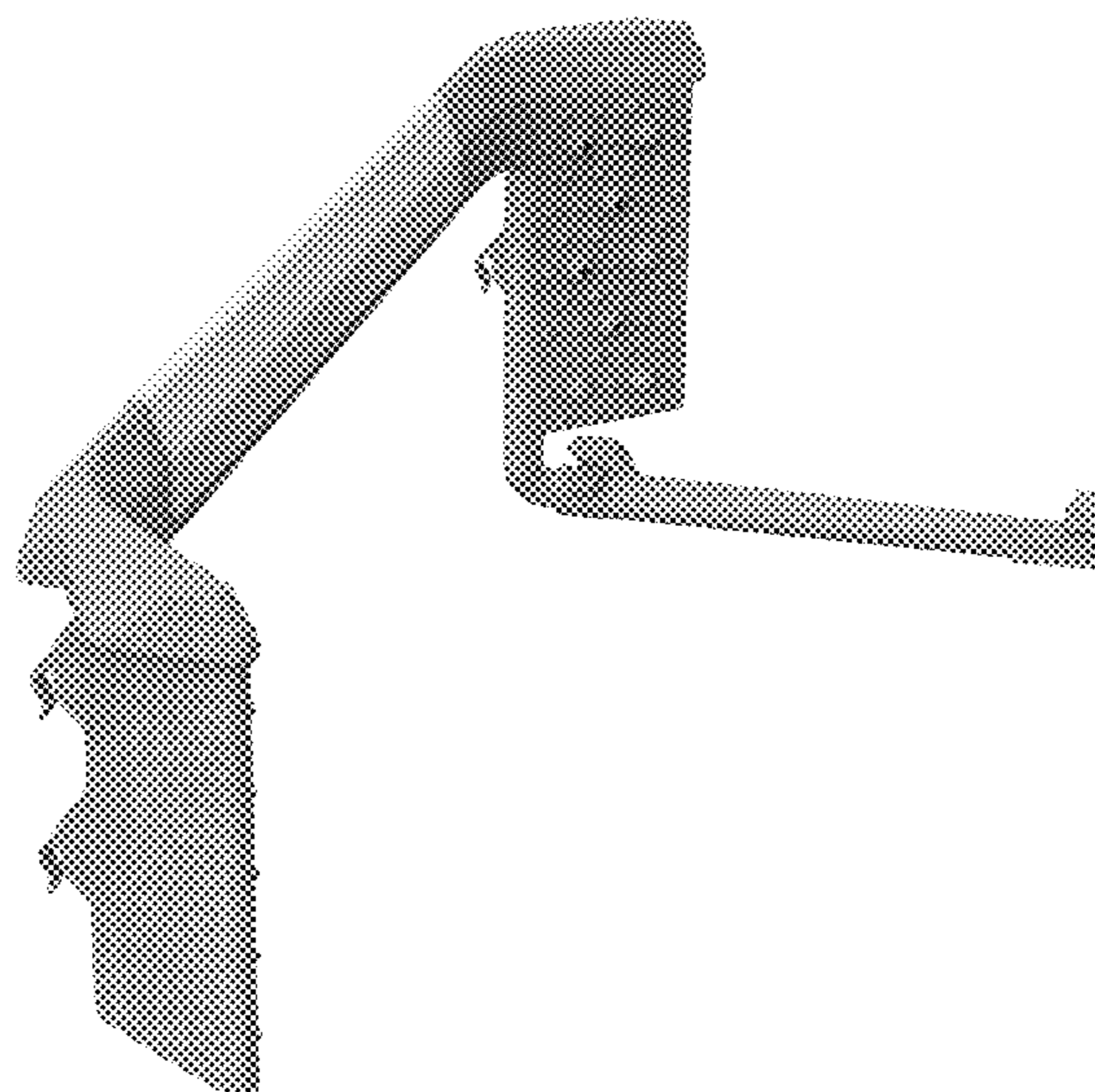
The patent or application file contains at least one drawing
executed in color. Copies of this patent or patent application
publication with color drawing(s) will be provided by the
Office upon request and payment of the necessary fee.

1. Spray arm for dishwasher

- 1.1 : Front
- 1.2 : Back
- 1.3 : Left
- 1.4 : Right
- 1.5 : Top
- 1.6 : Bottom
- 1.7 : Perspective

The portions of the spray arm for dishwasher shown with red
color overlay in reproductions 1.2, 1.4, and 1.6 form no part
of the claimed design.

1 Claim, 7 Drawing Sheets
(3 of 7 Drawing Sheet(s) Filed in Color)



(58) **Field of Classification Search**

CPC .. A47L 2501/01; A47L 2501/20; D06F 13/00;
D06F 2105/02; D06F 33/34; D06F 33/36;
D06F 33/54; D06F 33/56; G05B
2219/2633

See application file for complete search history.

(56) **References Cited**

U.S. PATENT DOCUMENTS

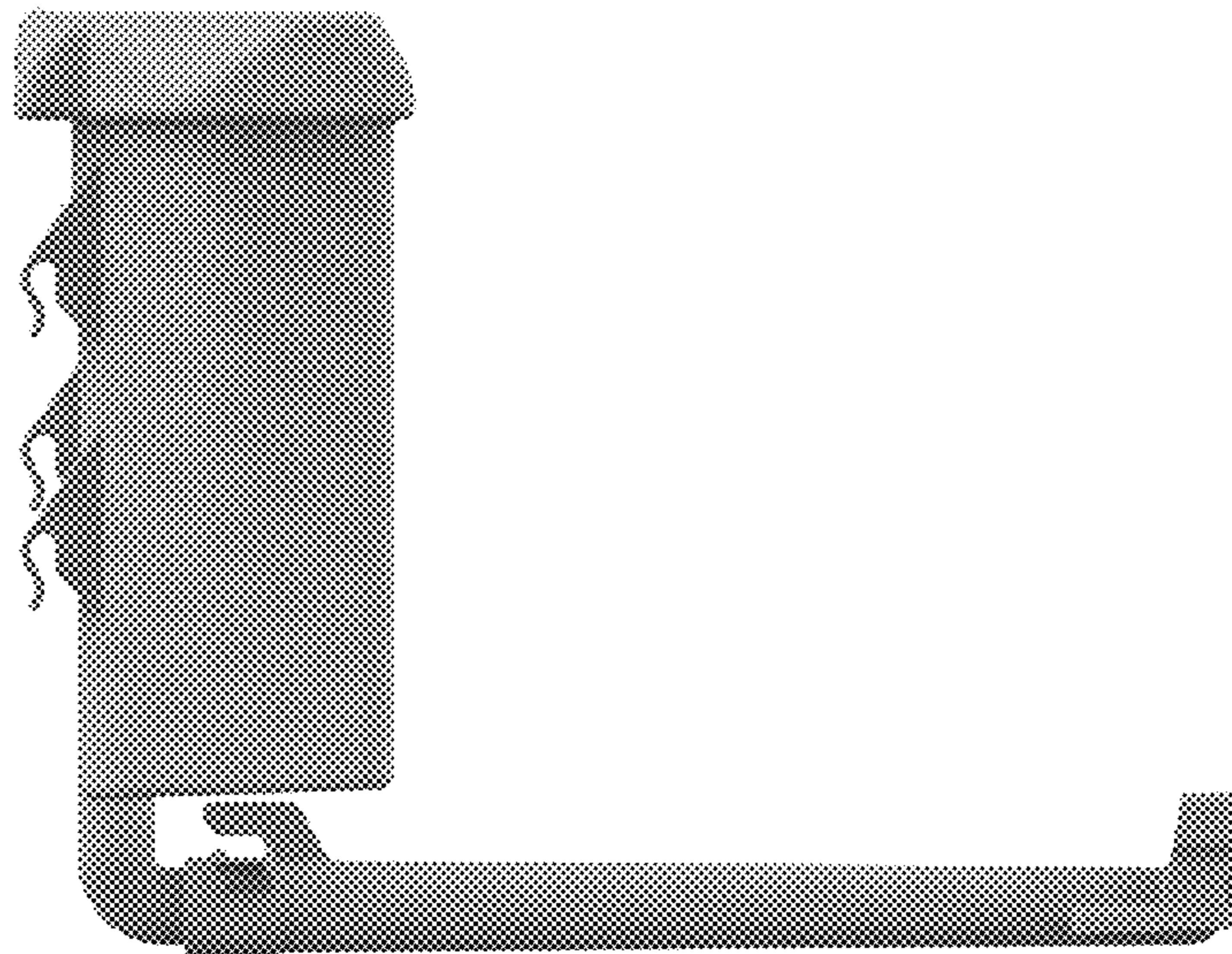
D720,901 S * 1/2015 Bangle D32/29
D739,094 S * 9/2015 Ovesen D32/3
D750,855 S * 3/2016 Lee D32/3
D762,019 S * 7/2016 Ferencevich D32/3
10,076,224 B2 * 9/2018 Poojary A47L 15/4219
D937,506 S * 11/2021 Singhal D32/3
2016/0316990 A1 * 11/2016 Ryu A47L 15/4289
2019/0246869 A1 * 8/2019 Johannes A47L 15/428

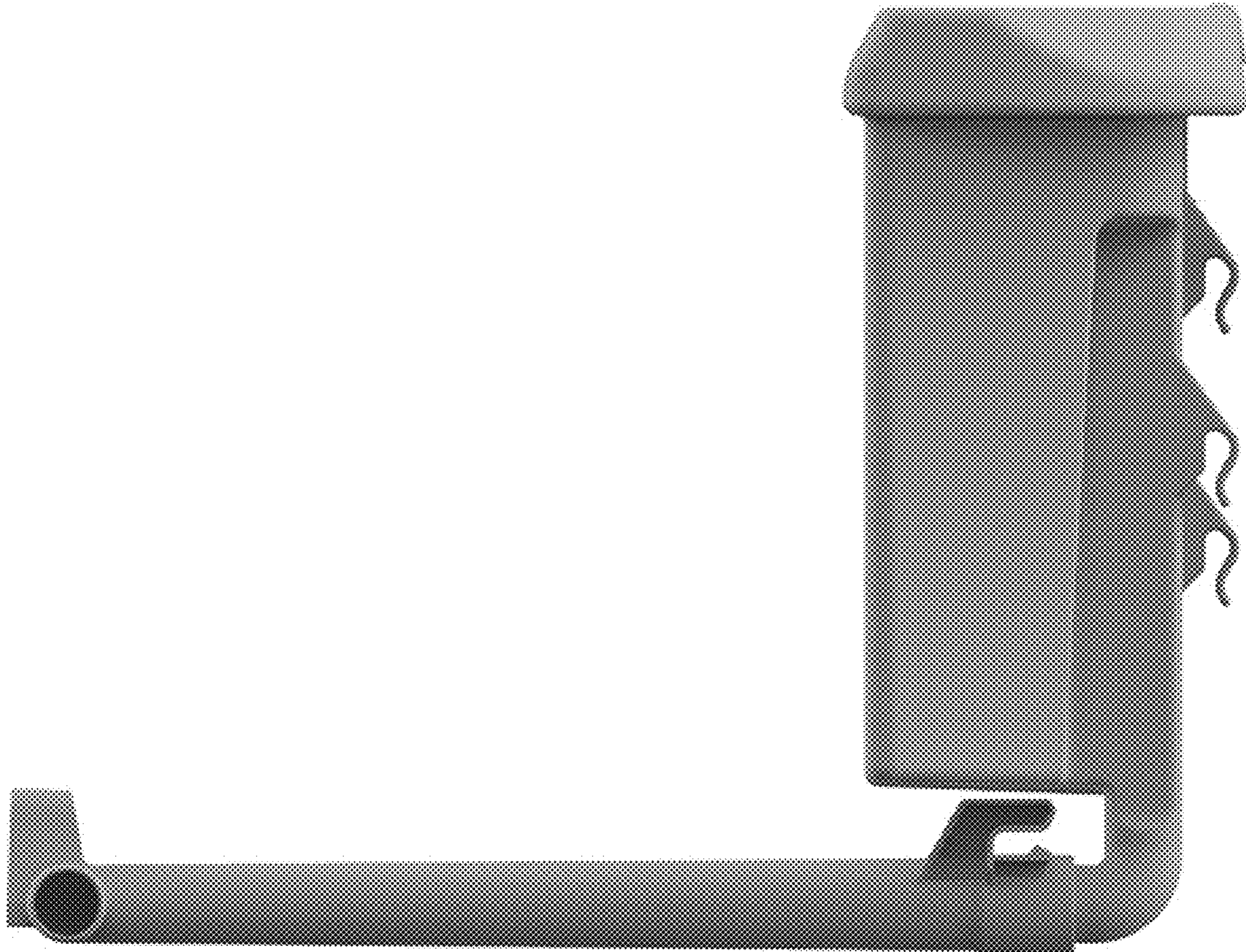
OTHER PUBLICATIONS

How To: Whirlpool/KitchenAid/Maytag Water Supply Tube
WP8559850, announced in YouTube on Jul. 19, 2018 [online], [site
visited Aug. 30, 2022], Available from the internet URL: [https://
www.youtube.com/watch?v=8fqVSzIWsnG](https://www.youtube.com/watch?v=8fqVSzIWsnG) (Year: 2018).*

* cited by examiner

1.1



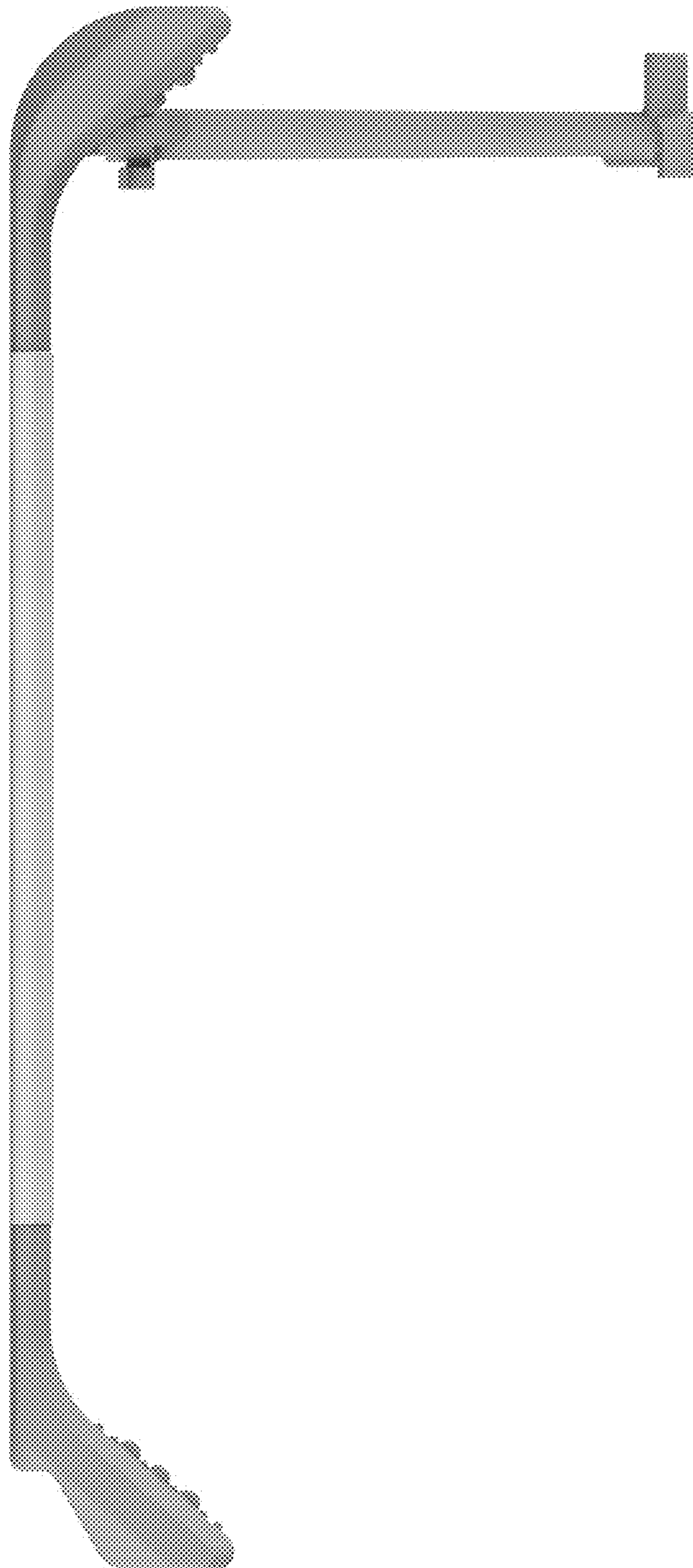


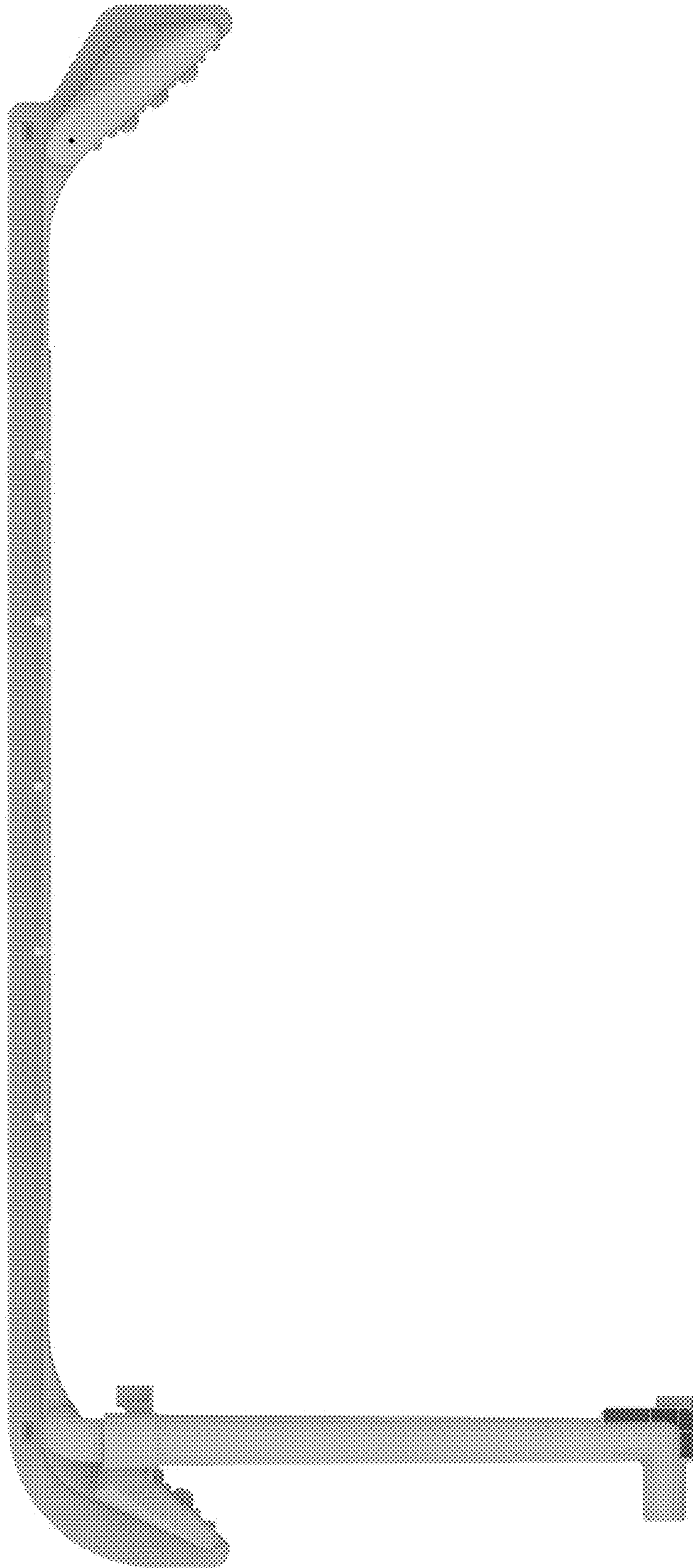
1.3





1.5





1.6

1.7

