

US00D977767S

(12) **United States Design Patent** (10) **Patent No.:** **US D977,767 S**  
**Li** (45) **Date of Patent:** **\*\* Feb. 7, 2023**

(54) **ADJUSTABLE PET WHEELCHAIR**

(71) Applicant: **Nengfei Li**, Ningbo (CN)  
(72) Inventor: **Nengfei Li**, Ningbo (CN)  
(\*\*) Term: **15 Years**  
(21) Appl. No.: **29/805,075**  
(22) Filed: **Aug. 24, 2021**  
(51) **LOC (14) Cl.** ..... **30-99**  
(52) **U.S. Cl.**  
USPC ..... **D30/199**  
(58) **Field of Classification Search**  
USPC ..... D30/109, 199; 119/712, 725, 726, 727  
CPC ..... A01K 13/00; A61D 9/00; A61F 5/0104  
See application file for complete search history.

(56) **References Cited**

**U.S. PATENT DOCUMENTS**

2,546,726	A *	3/1951	Creamer, Jr.	.....	A01K 13/00 280/47.131
2,976,840	A *	3/1961	Hugus	.....	A61D 9/00 119/727
3,215,117	A *	11/1965	Short	.....	A01K 13/00 119/727
3,241,851	A *	3/1966	Dingbaum	.....	A61D 9/00 280/43
3,406,661	A *	10/1968	Parkes	.....	A61D 9/00 119/727
4,375,203	A *	3/1983	Parkes	.....	A61D 9/00 119/727
4,777,910	A *	10/1988	Pecor	.....	A01K 15/027 119/702
6,820,572	B1 *	11/2004	Parkes	.....	A61D 3/00 119/728
7,549,398	B2 *	6/2009	Robinson	.....	A61D 3/00 119/727
D627,936	S	11/2010	Ye		
D919,200	S	5/2021	Zeng		
2013/0104813	A1 *	5/2013	Shalom	.....	A01K 15/02 119/727
2017/0027676	A1 *	2/2017	Newby	.....	A61D 3/00

**OTHER PUBLICATIONS**

“HobeyHove Adjustable Dog Cart Wheelchair” available Dec. 22, 2020, [online], [site visited Jul. 26, 2022]. Retrieved from Internet, URL:https://www.amazon.com/Adjustable-Wheelchair-Wheelchairs-Disabled-Walking/dp/B08R5YTT9Q/ref=sr\_1\_3 (Year: 2020).\*  
“HobeyHove Fordable Dog Wheelchair” available Nov. 22, 2020, [online], [site visited Jul. 26, 2022]. Retrieved from Internet, URL:https://www.amazon.com/HobeyHove-Fordable-Wheelchair-Adjustable-Paralyzed/dp/B08SLQN322/ref=sr\_1\_2 (Year: 2020).\*  
“Walkin’ Wheels” available Jul. 29, 2021, [online], [site visited Jul. 26, 2022]. Retrieved from Internet, URL:https://www.amazon.com/Walkin-Wheels-Wheelchair-Veterinarian-Approved/dp/B09BG8P1F2/ref=sr\_1\_27 (Year: 2021).\*

\* cited by examiner

*Primary Examiner* — W. A. Teddy Falloway  
*Assistant Examiner* — Katrina N Gonzalez

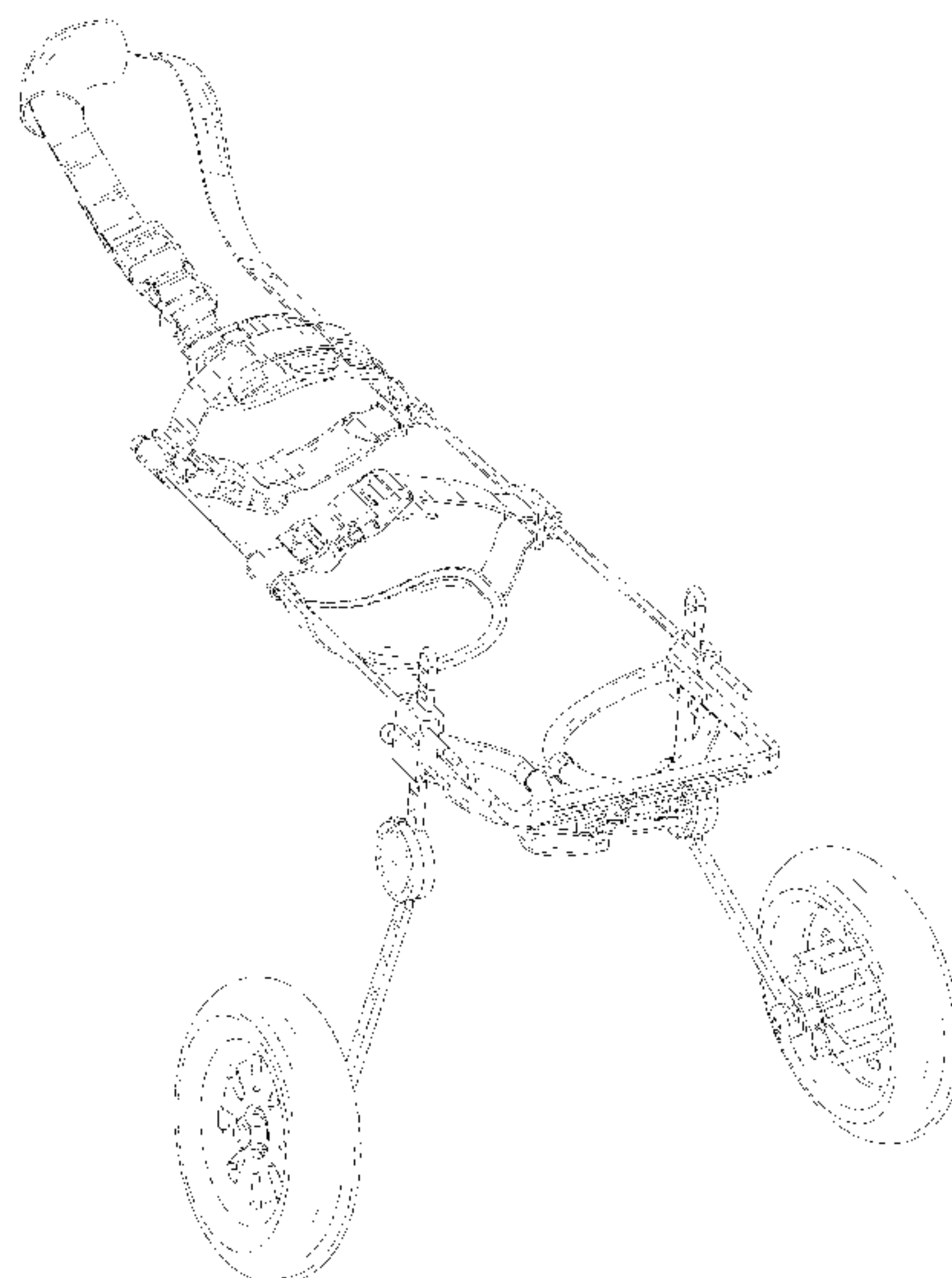
(57) **CLAIM**

The ornamental design for an adjustable pet wheelchair, as shown and described.

**DESCRIPTION**

FIG. 1 is a perspective view of an adjustable pet wheelchair showing my new design;  
FIG. 2 is another perspective view thereof;  
FIG. 3 is a front elevational view thereof;  
FIG. 4 is a rear elevational view thereof;  
FIG. 5 is a left side elevational view thereof;  
FIG. 6 is a right side elevational view thereof;  
FIG. 7 is a top plan view thereof; and,  
FIG. 8 is a bottom plan view thereof.  
The broken lines in the drawings depict portions of the adjustable pet wheelchair that form no part of the claimed design.

**1 Claim, 8 Drawing Sheets**



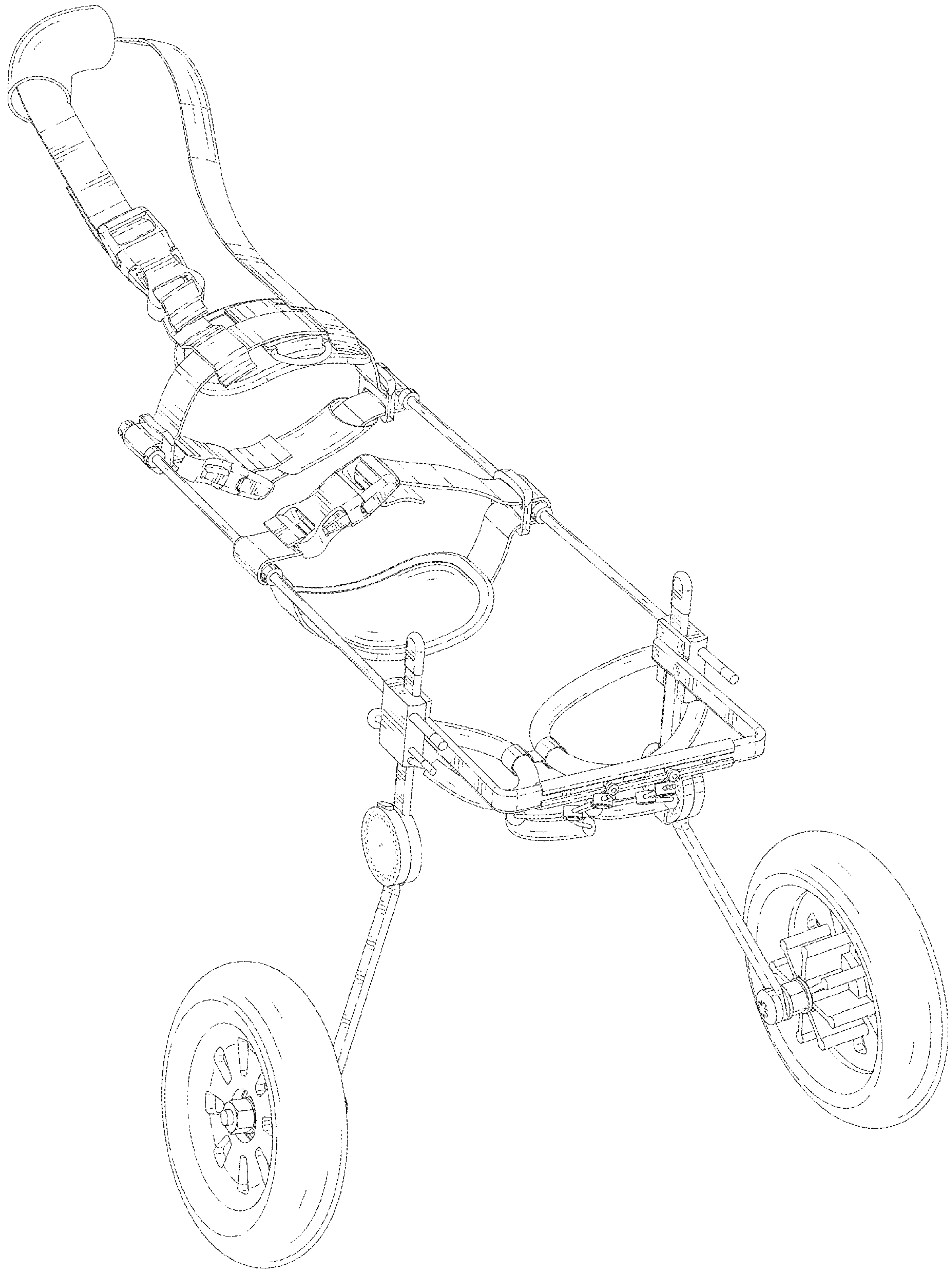


FIG. 1

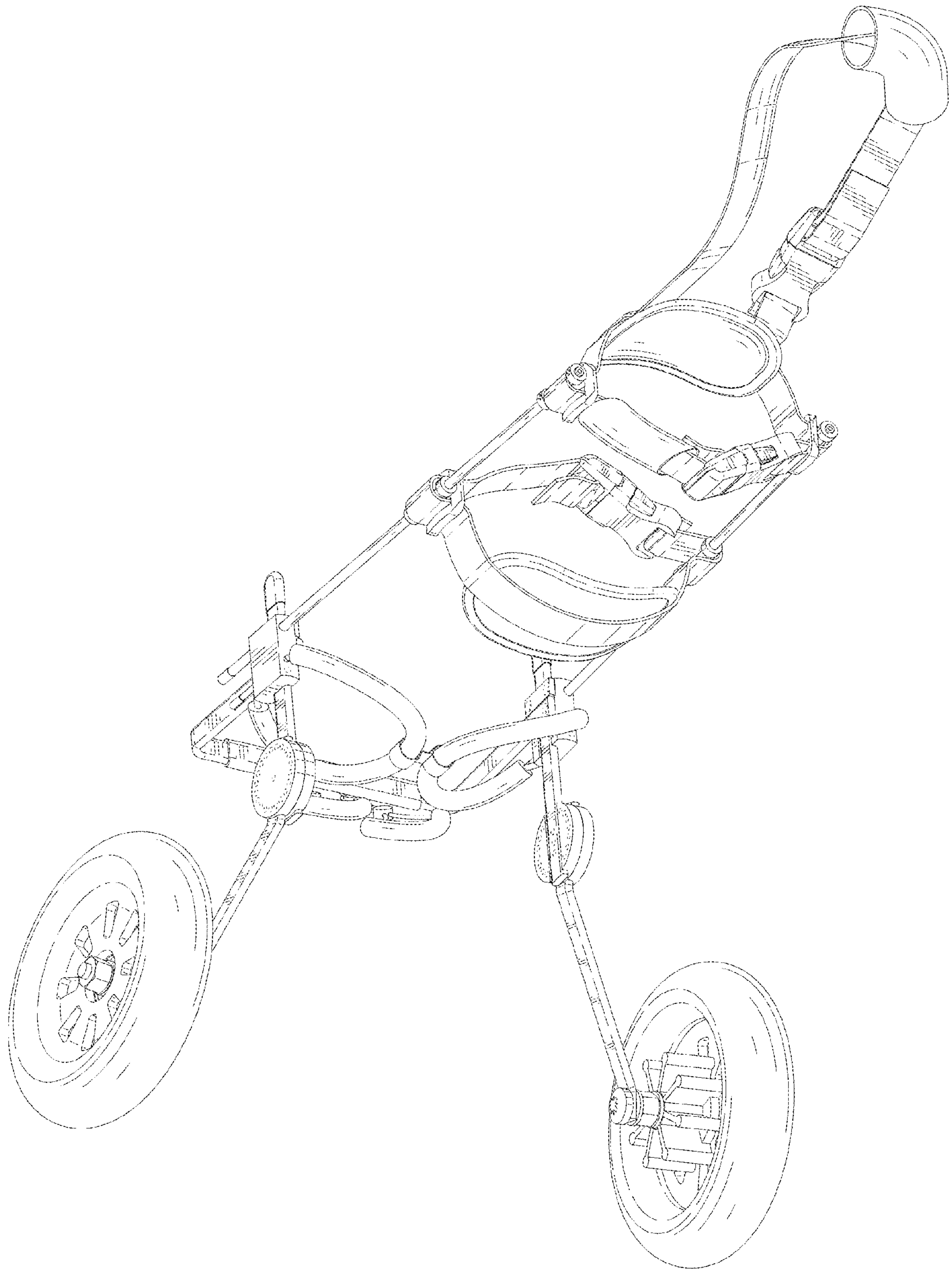


FIG. 2



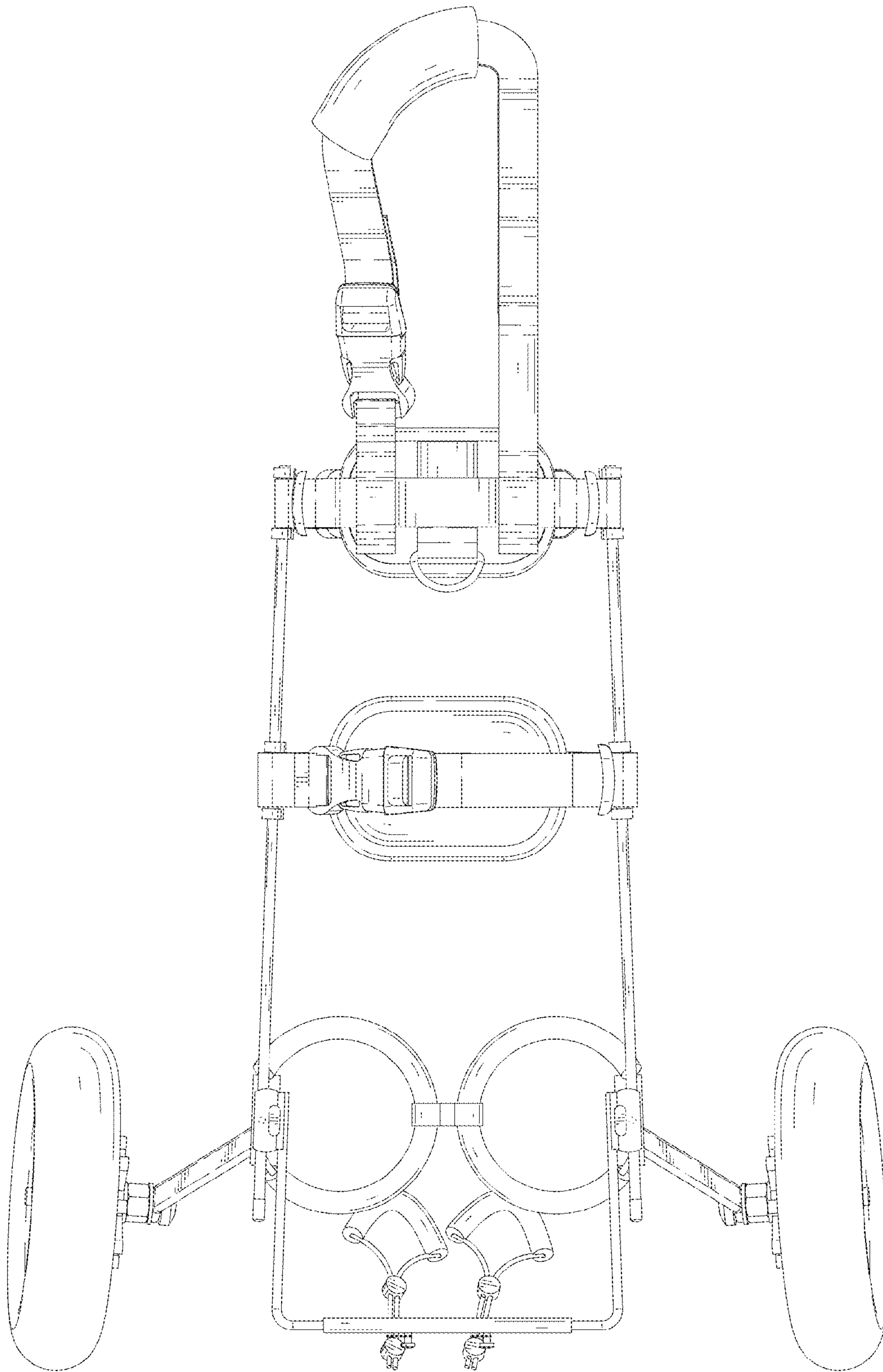


FIG. 3

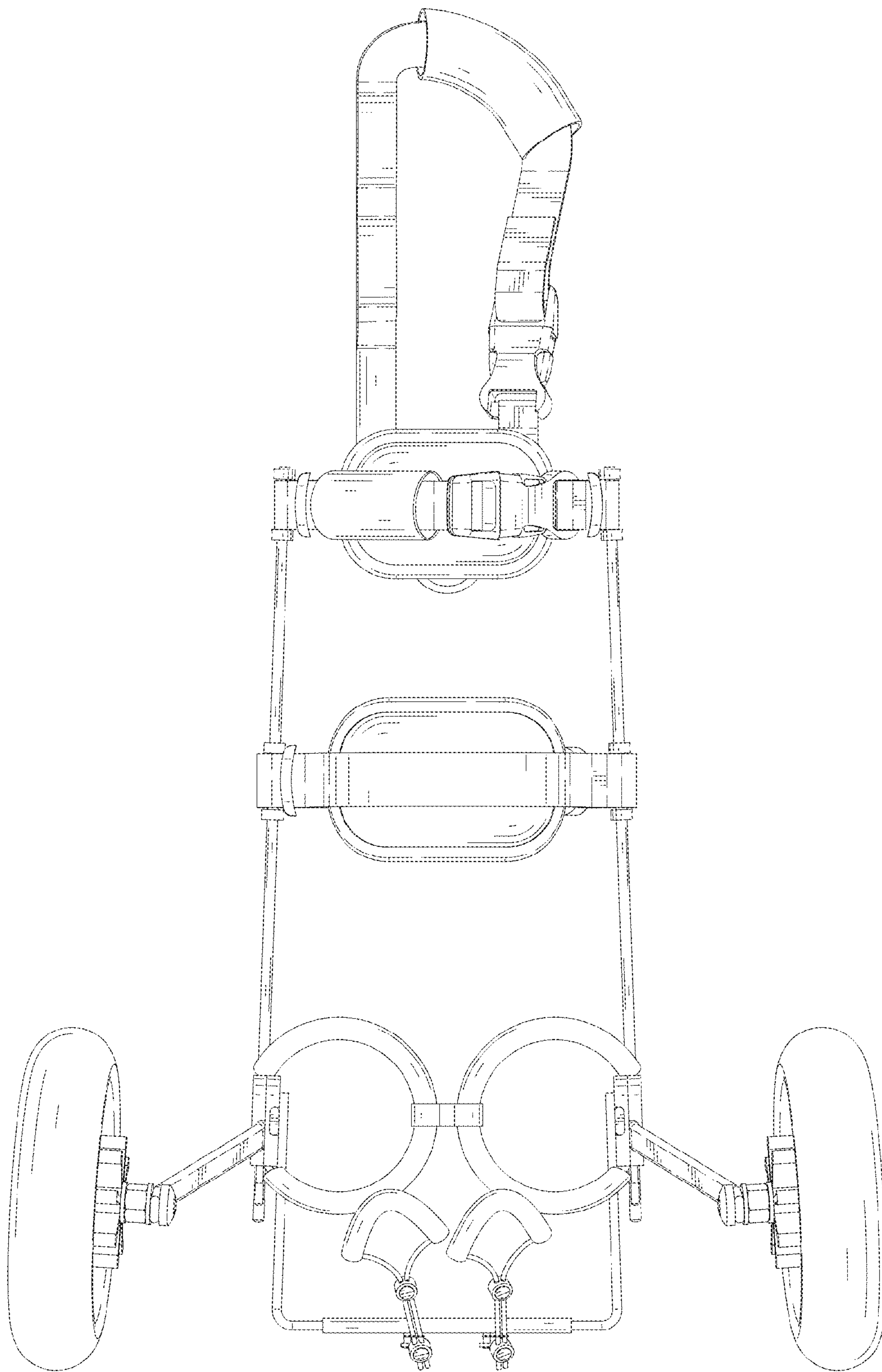


FIG. 4

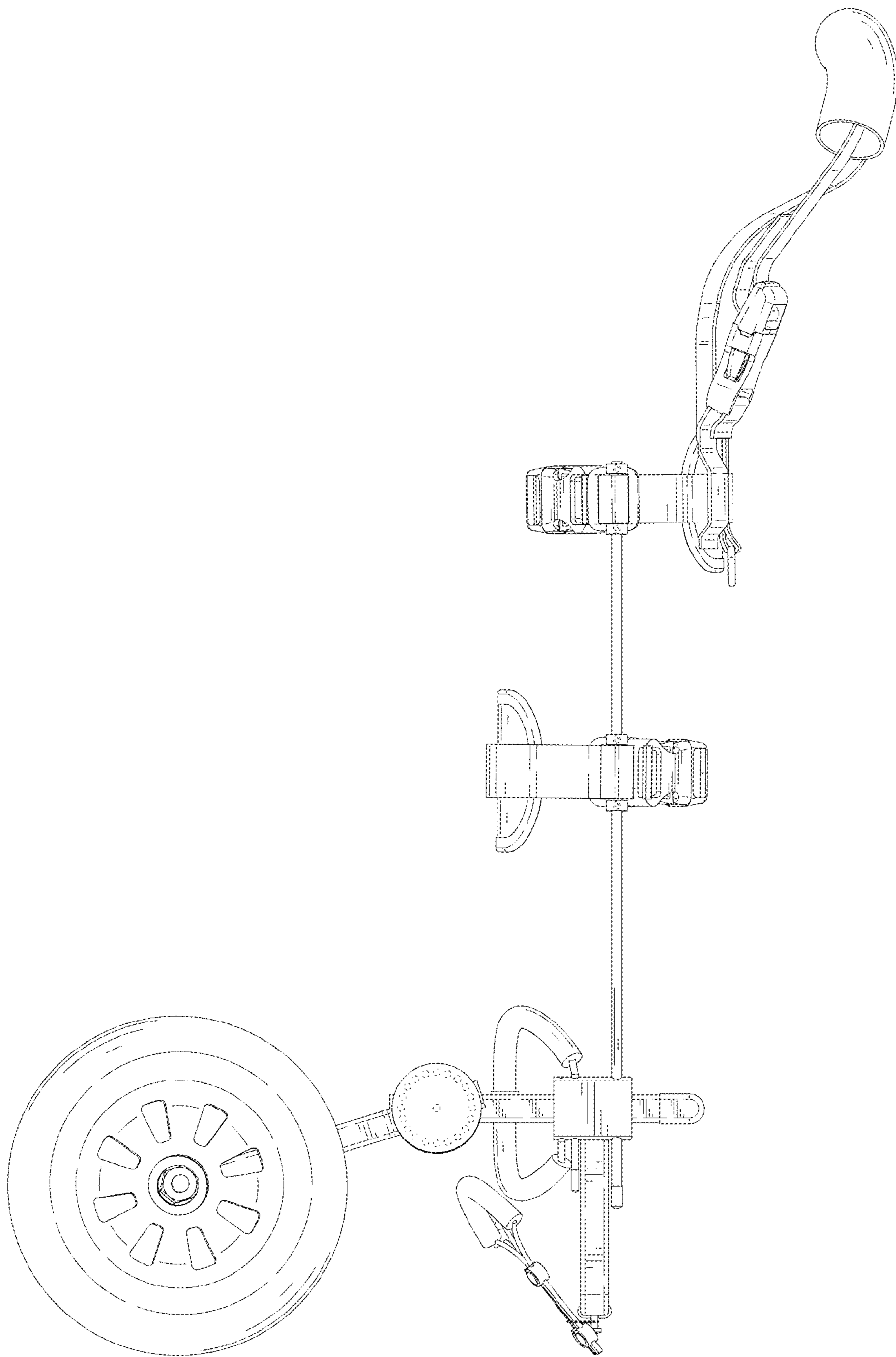


FIG. 5

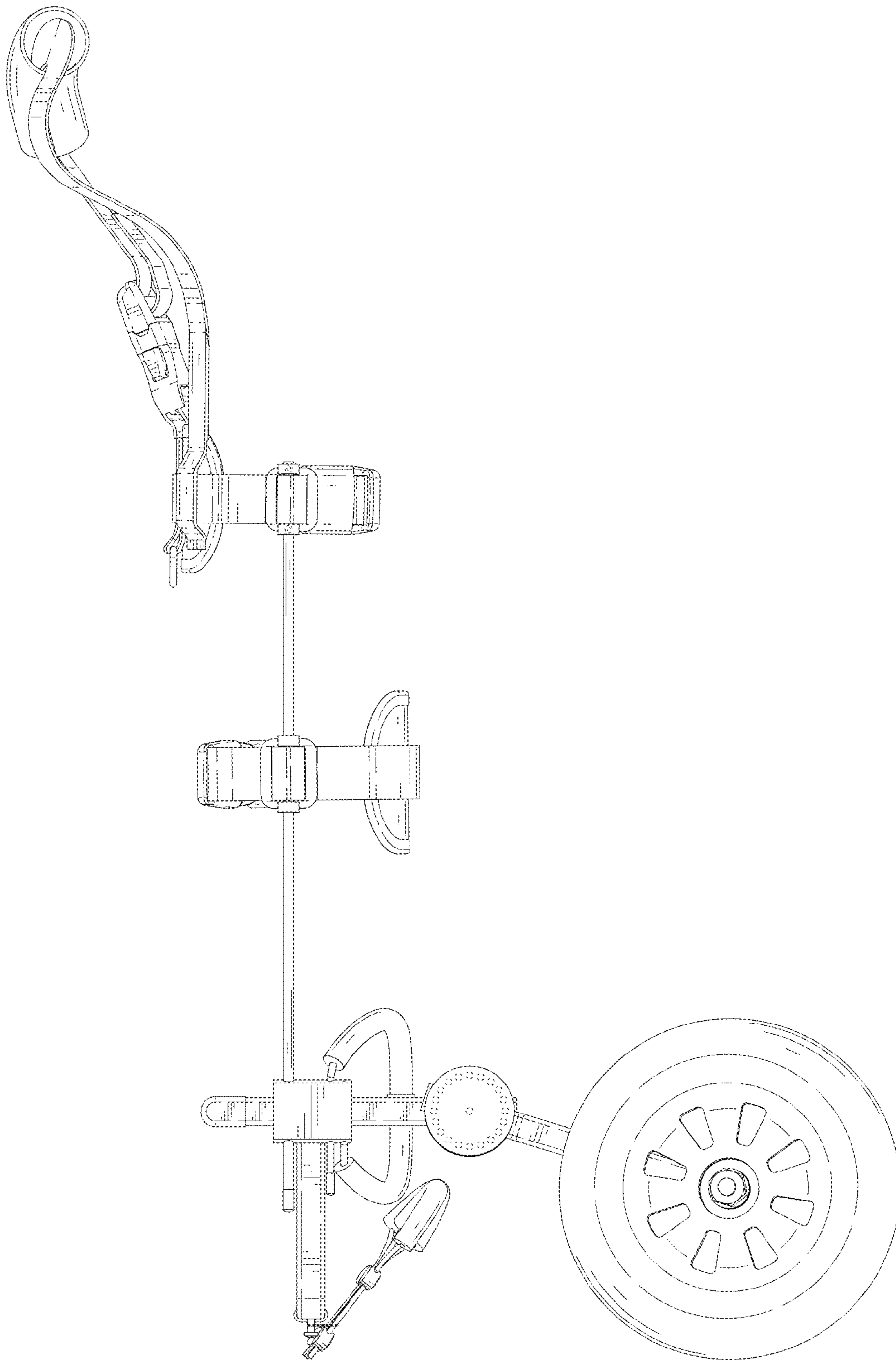


FIG. 6

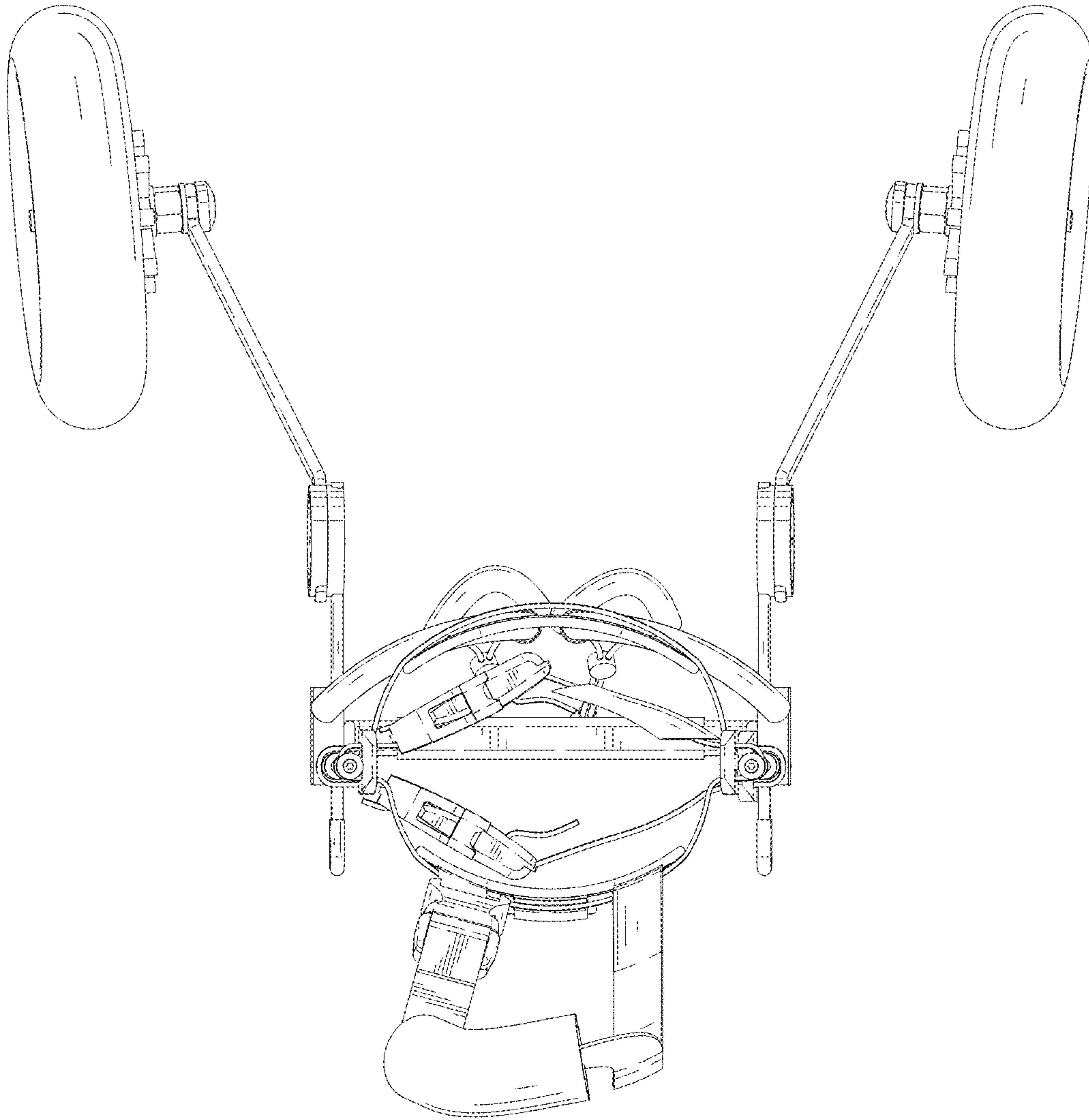


FIG. 7



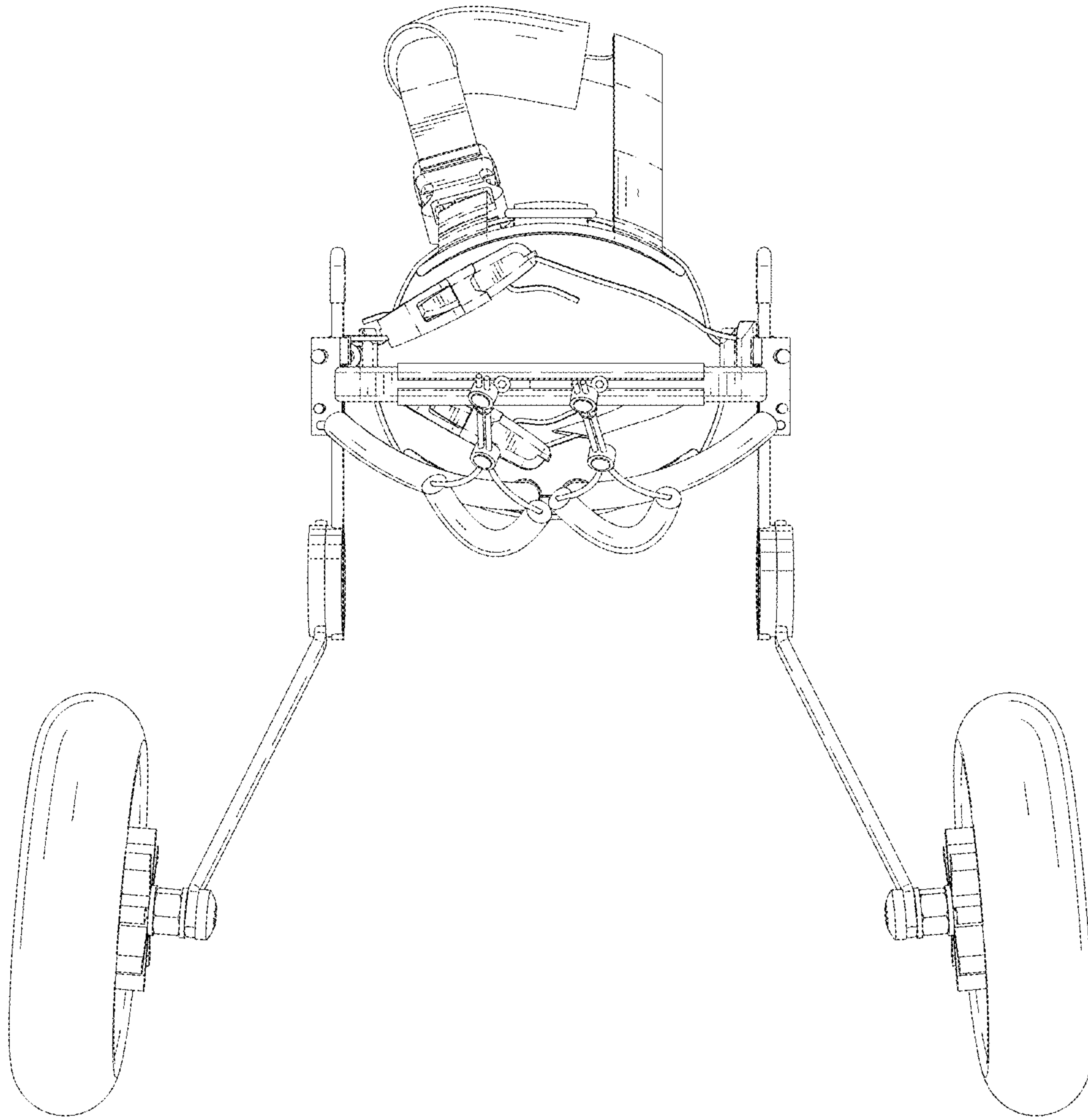


FIG. 8