



US00D977766S

(12) **United States Design Patent** (10) **Patent No.:** **US D977,766 S**  
**Jia** (45) **Date of Patent:** **\*\* Feb. 7, 2023**

(54) **STOP BARKING DEVICE**  
(71) Applicant: **Shenzhen Smart Pet Technology Co., Ltd, Shenzhen (CN)**  
(72) Inventor: **Yaya Jia, Shenzhen (CN)**  
(73) Assignee: **Shenzhen Smart Pet Technology Co., Ltd, Shenzhen (CN)**  
(\*\*) Term: **15 Years**  
(21) Appl. No.: **29/784,766**  
(22) Filed: **May 21, 2021**  
(51) **LOC (14) Cl.** ..... **30-99**  
(52) **U.S. Cl.**  
USPC ..... **D30/199; D10/104.1**  
(58) **Field of Classification Search**  
USPC ..... D30/144, 151, 152, 153, 155, 156, 199;  
D10/104.1, 104.2, 105, 116.1; D14/137,  
D14/188; 119/712, 714, 716, 717, 718,  
119/719, 720, 722  
CPC ..... A01K 15/02; A01K 15/022  
See application file for complete search history.

D938,669 S \* 12/2021 Jia ..... D10/104.1  
D943,844 S \* 2/2022 Li ..... D10/104.1  
D943,845 S \* 2/2022 Li ..... D10/104.1  
D945,721 S \* 3/2022 Luo ..... D10/104.1  
D950,170 S \* 4/2022 Li ..... D10/104.1

**OTHER PUBLICATIONS**

“Best Price Anti Bark Vibration Control” available Jun. 14, 2022, [online], [site visited Jun. 14, 2022]. Retrieved from Internet, URL:https://smartpet.en.alibaba.com/product/1600336710523-805368225/Best\_Price\_Anti\_Bark\_Vibration\_Control\_Amazon\_Electric\_Barking\_Automatic\_E\_Dog\_Shock\_Collar.html (Year: 2022).\*  
“Maisoie” available Mar. 5, 2022, [online], [site visited Jun. 14, 2022]. Retrieved from Internet, URL:https://www.amazon.com/MAISOIE-Training-Vibration-Waterproof-Rechargeable/dp/B09N3JWQXT/ref=sr\_1\_268 (Year: 2022).\*

\* cited by examiner

*Primary Examiner* — Katrina N Gonzalez  
(74) *Attorney, Agent, or Firm* — True Shepherd LLC;  
Andrew C. Cheng

(57) **CLAIM**

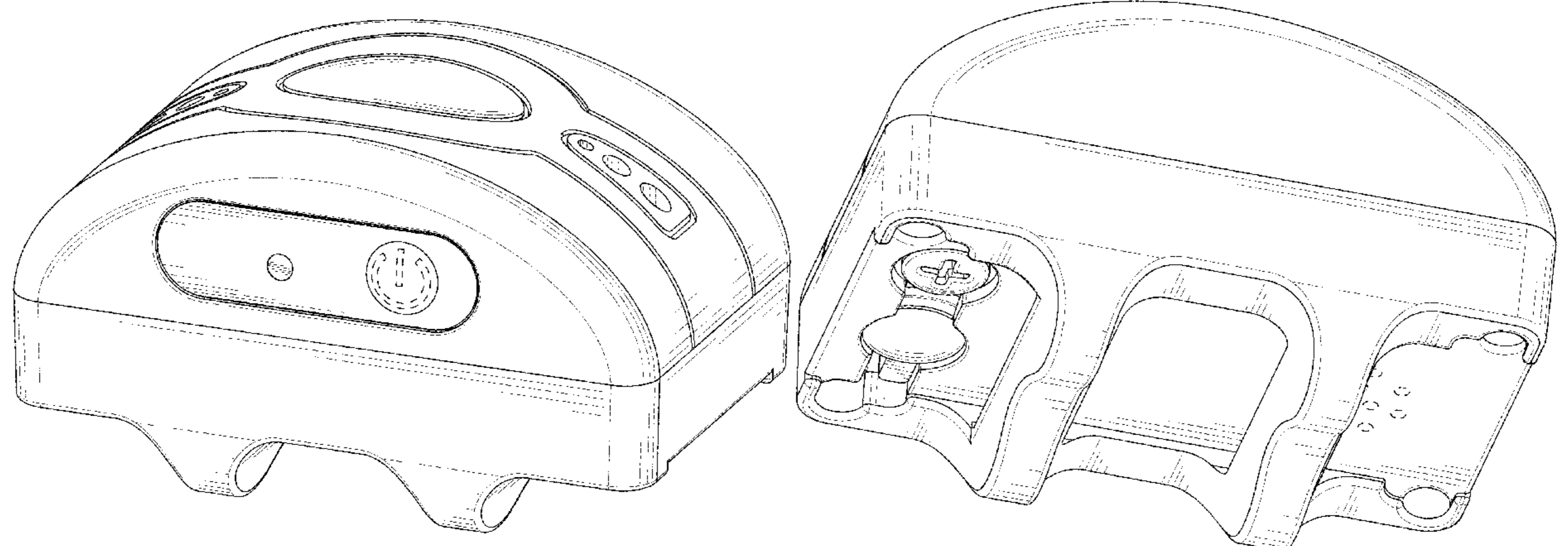
The ornamental design for a stop barking device, as shown and described.

**DESCRIPTION**

FIG. 1 is a perspective view of a stop barking device showing my new design;  
FIG. 2 is another perspective view thereof;  
FIG. 3 is a front view thereof;  
FIG. 4 is a rear view thereof;  
FIG. 5 is a left side view thereof;  
FIG. 6 is a right side view thereof;  
FIG. 7 is a top plan view thereof; and,  
FIG. 8 is a bottom plan view thereof.  
The broken lines depict portions of the stop barking device and form no part of the claimed design.

**1 Claim, 8 Drawing Sheets**

(56) **References Cited**  
**U.S. PATENT DOCUMENTS**  
D410,206 S \* 5/1999 Slater ..... D10/104.1  
D666,367 S \* 8/2012 Miller ..... D30/155  
D683,915 S \* 6/2013 So ..... D30/152  
D822,921 S \* 7/2018 Wen ..... D30/199  
D834,769 S 11/2018 Wen  
D840,851 S \* 2/2019 Ammar ..... D10/104.1  
D853,666 S \* 7/2019 Ni ..... D10/104.1  
D858,904 S \* 9/2019 Zinn ..... D10/104.1  
D861,259 S \* 9/2019 Dong ..... D30/152  
D872,383 S 1/2020 Darnell et al.  
D888,353 S 6/2020 Lan et al.  
D890,456 S \* 7/2020 Dai ..... D30/199  
D925,141 S \* 7/2021 Lai ..... D10/104.1  
D926,396 S \* 7/2021 Jia ..... D10/104.1  
D938,668 S \* 12/2021 Jia ..... D10/104.1



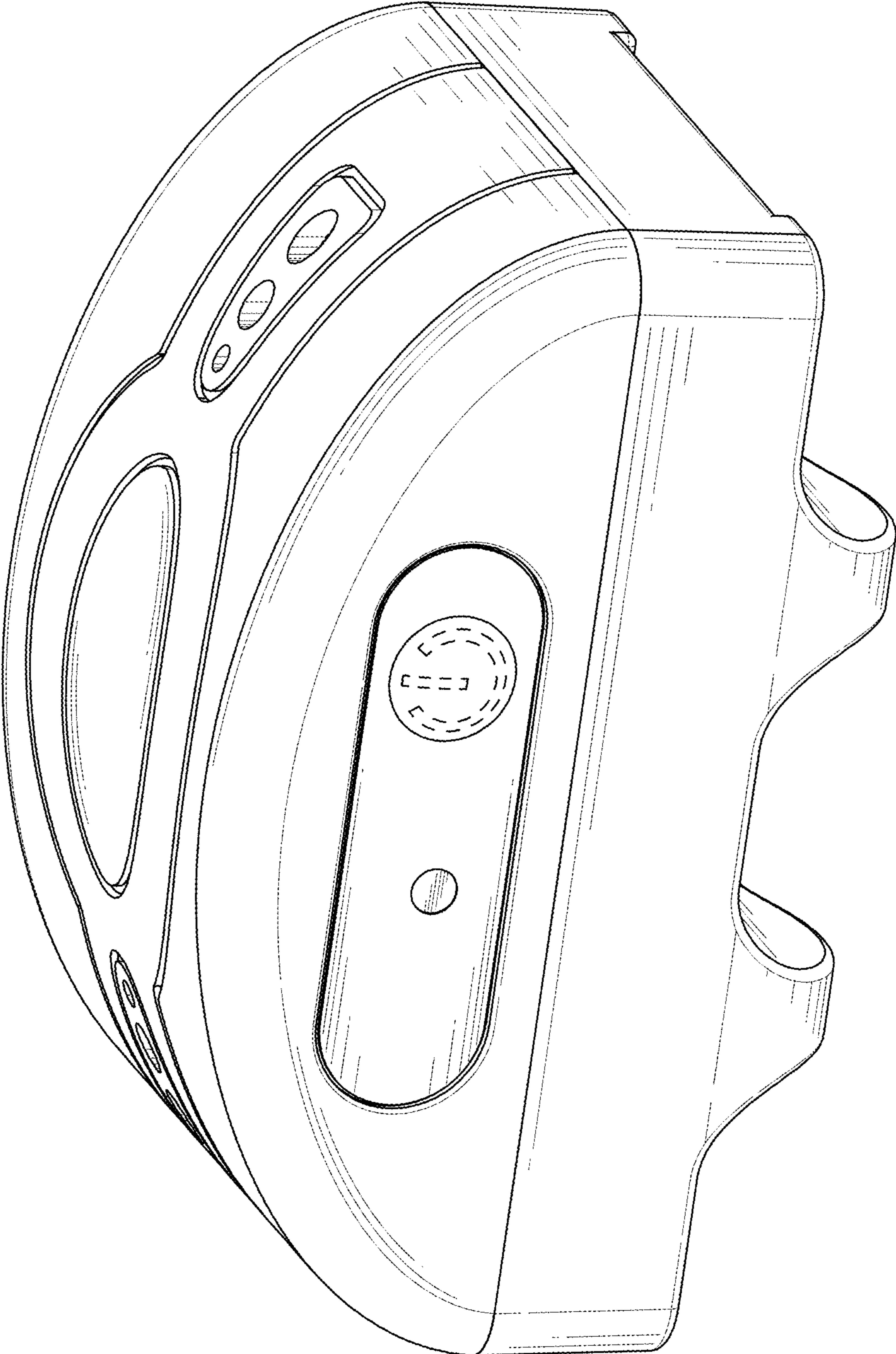


FIG. 1

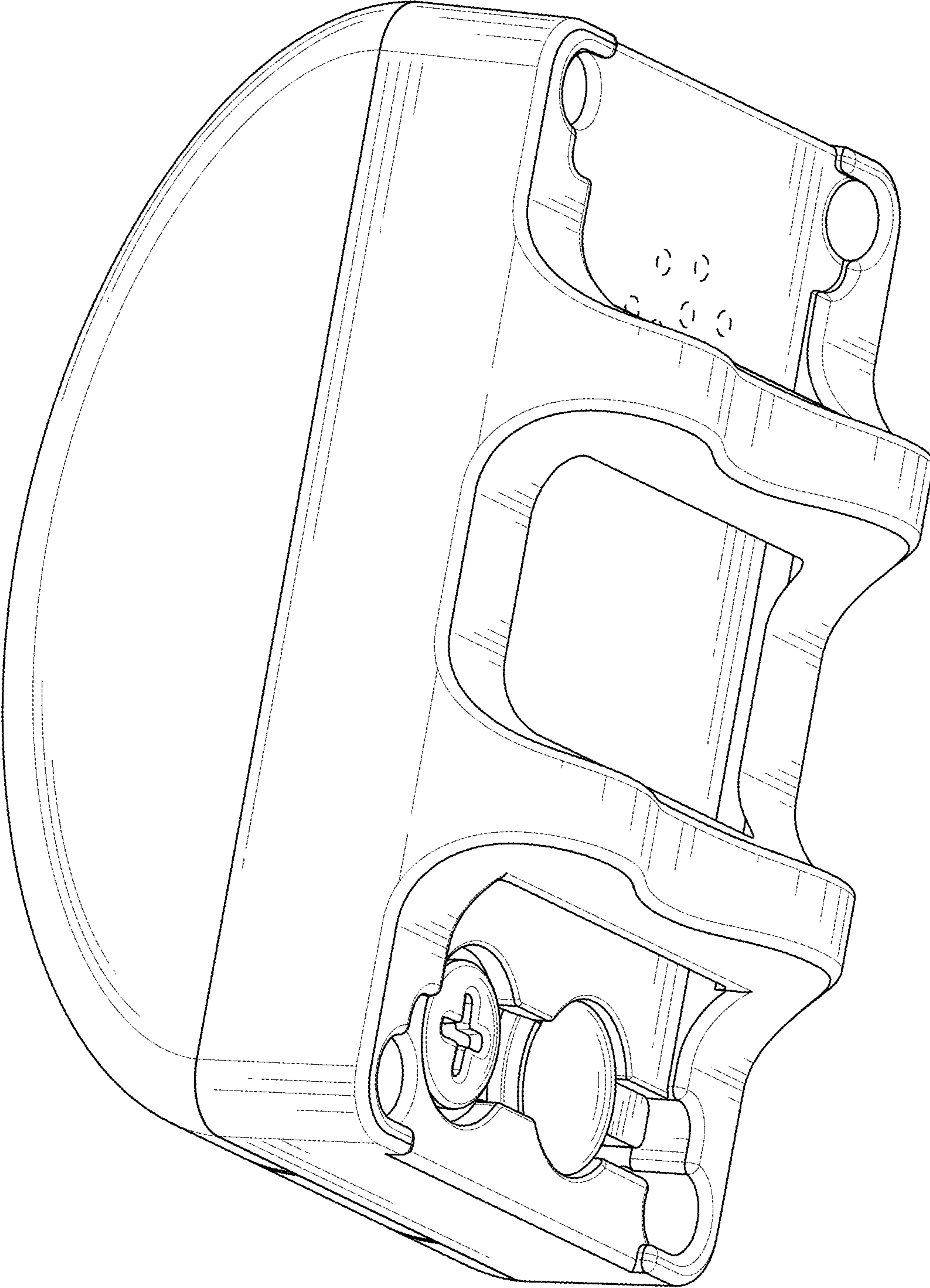


FIG. 2

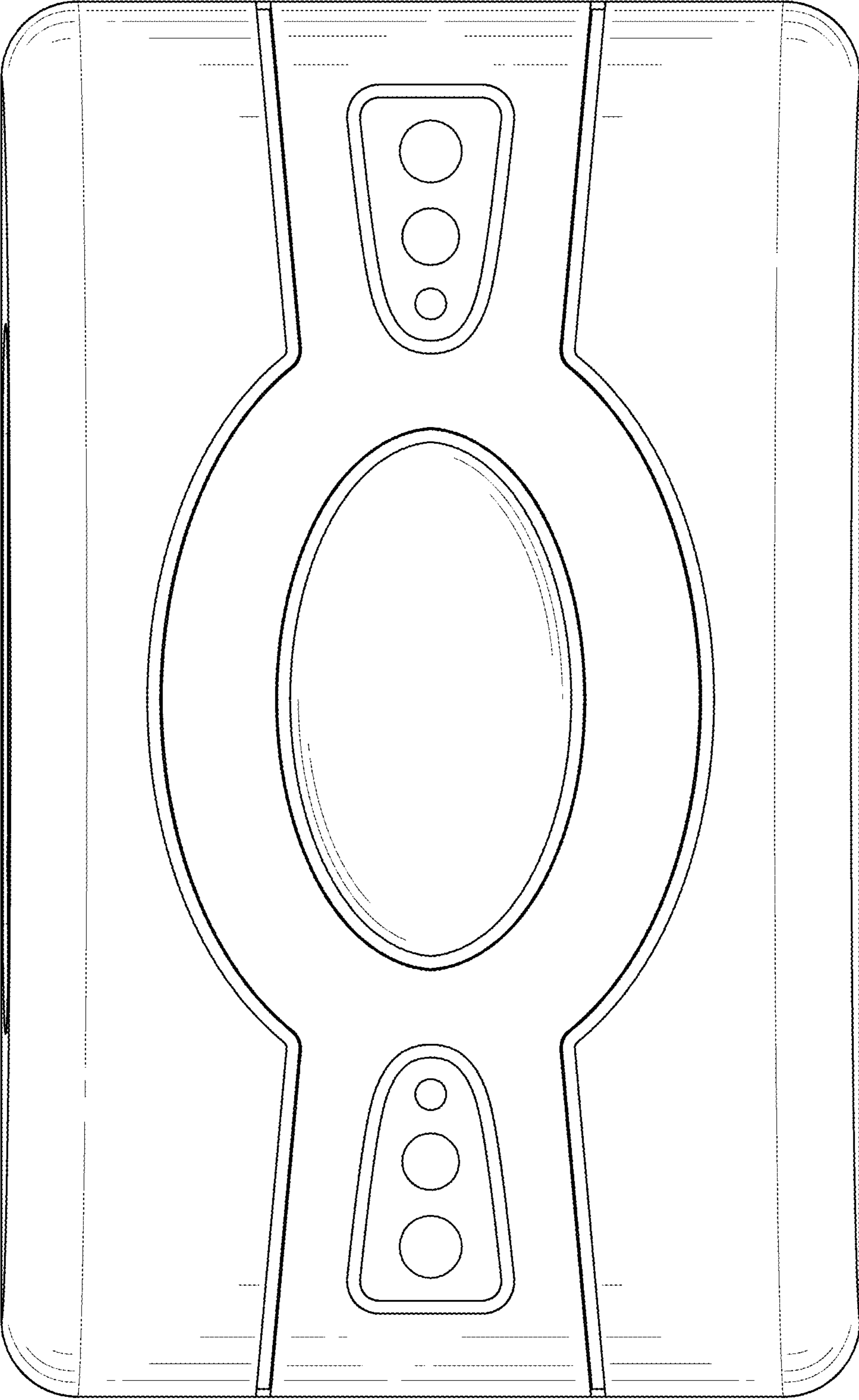


FIG. 3

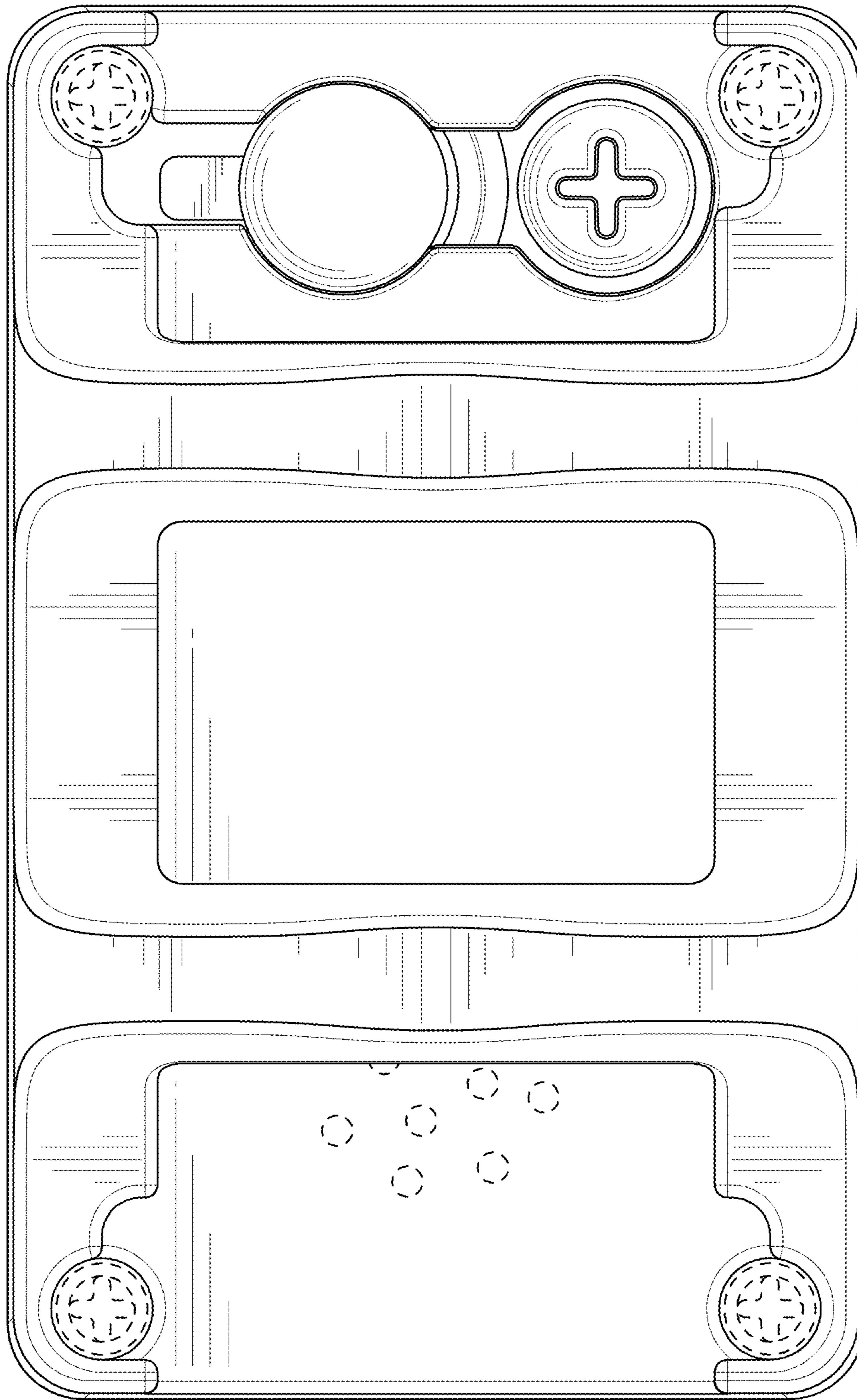


FIG. 4

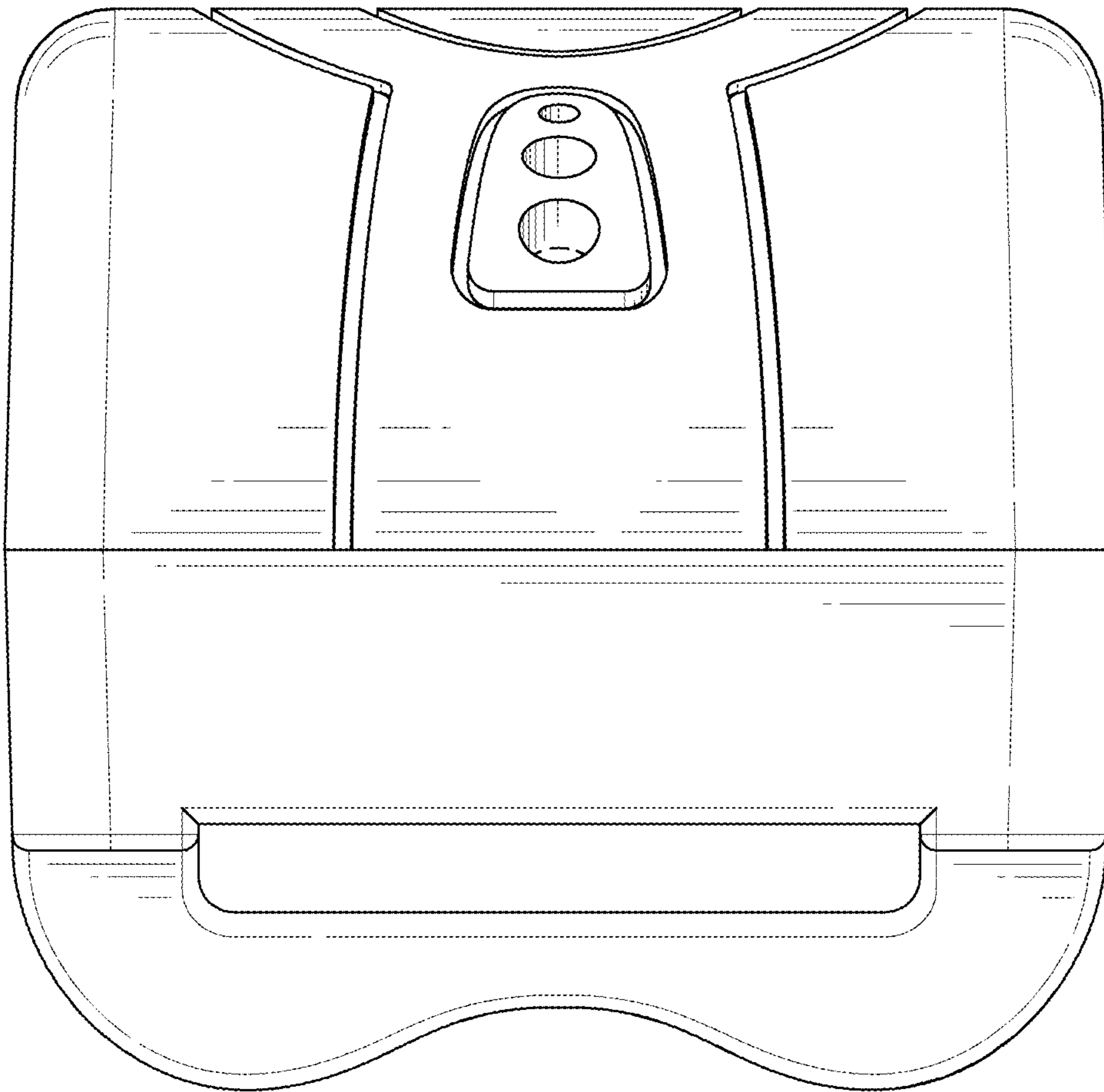


FIG. 5



FIG. 6

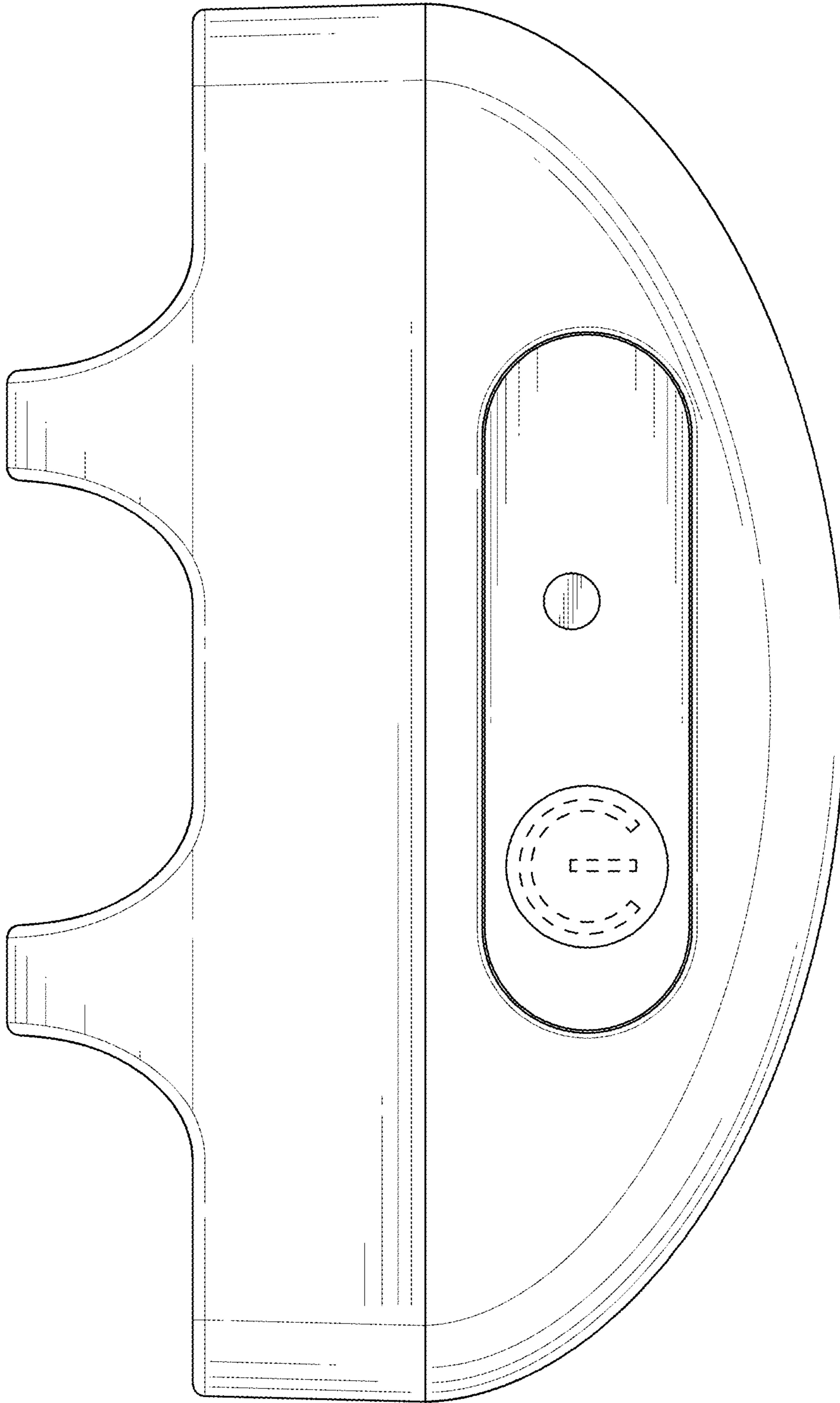


FIG. 7



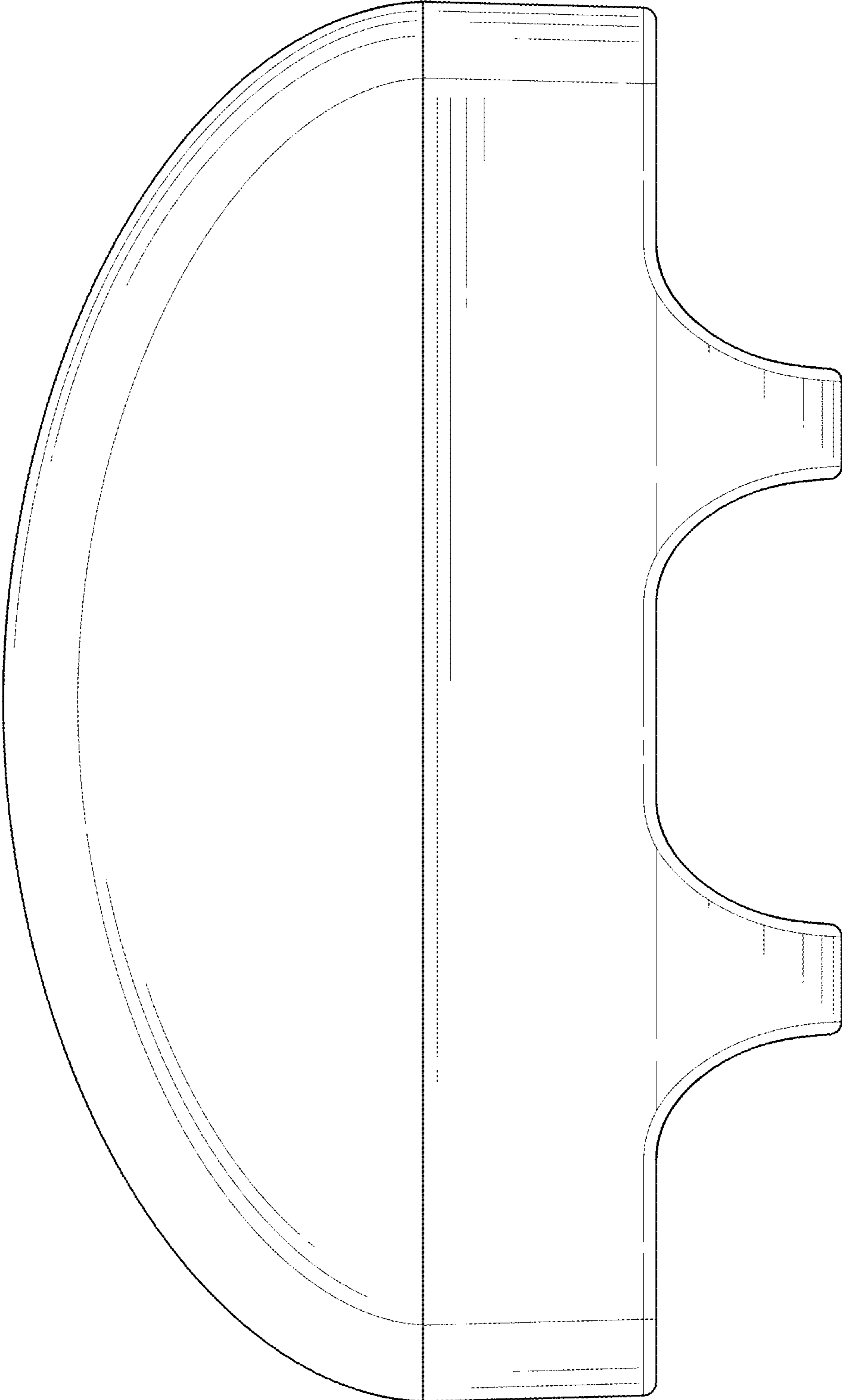


FIG. 8