



US00D977765S

(12) **United States Design Patent**
Zhang

(10) **Patent No.:** **US D977,765 S**
(45) **Date of Patent:** **** Feb. 7, 2023**

(54) **PET TRAINING KIT**

DESCRIPTION

(71) Applicant: **Zhenxin Zhang**, Zhoukou (CN)
(72) Inventor: **Zhenxin Zhang**, Zhoukou (CN)
(**) Term: **15 Years**
(21) Appl. No.: **29/780,969**
(22) Filed: **Apr. 27, 2021**
(51) **LOC (14) Cl.** **30-99**
(52) **U.S. Cl.**
USPC **D30/199**
(58) **Field of Classification Search**
USPC D30/144, 151, 152, 153, 155, 156, 199;
D10/104.1, 104.2, 105, 116.1; D14/137,
D14/188; 119/712, 714, 716, 717, 718,
119/719, 720, 722
CPC A01K 15/02; A01K 15/022
See application file for complete search history.

(56) **References Cited**

U.S. PATENT DOCUMENTS

D400,458 S * 11/1998 Titus D10/104.1
D445,707 S * 7/2001 Zakhakyan D30/152
D515,251 S * 2/2006 Silverlieb D30/152
D523,998 S * 6/2006 Nottingham D30/152
D537,978 S * 3/2007 Chen D14/137
D564,139 S * 3/2008 Nichols D30/151

(Continued)

OTHER PUBLICATIONS

“PATPET Dog Training Collar” available Apr. 27, 2019, [online],
[site visited Jun. 14, 2022]. Retrieved from Internet, URL:https://
www.amazon.com/PATPET-Training-Collar-Vibration-Rainproof/
dp/B07VWB716R?th=1 (Year: 2019).*

(Continued)

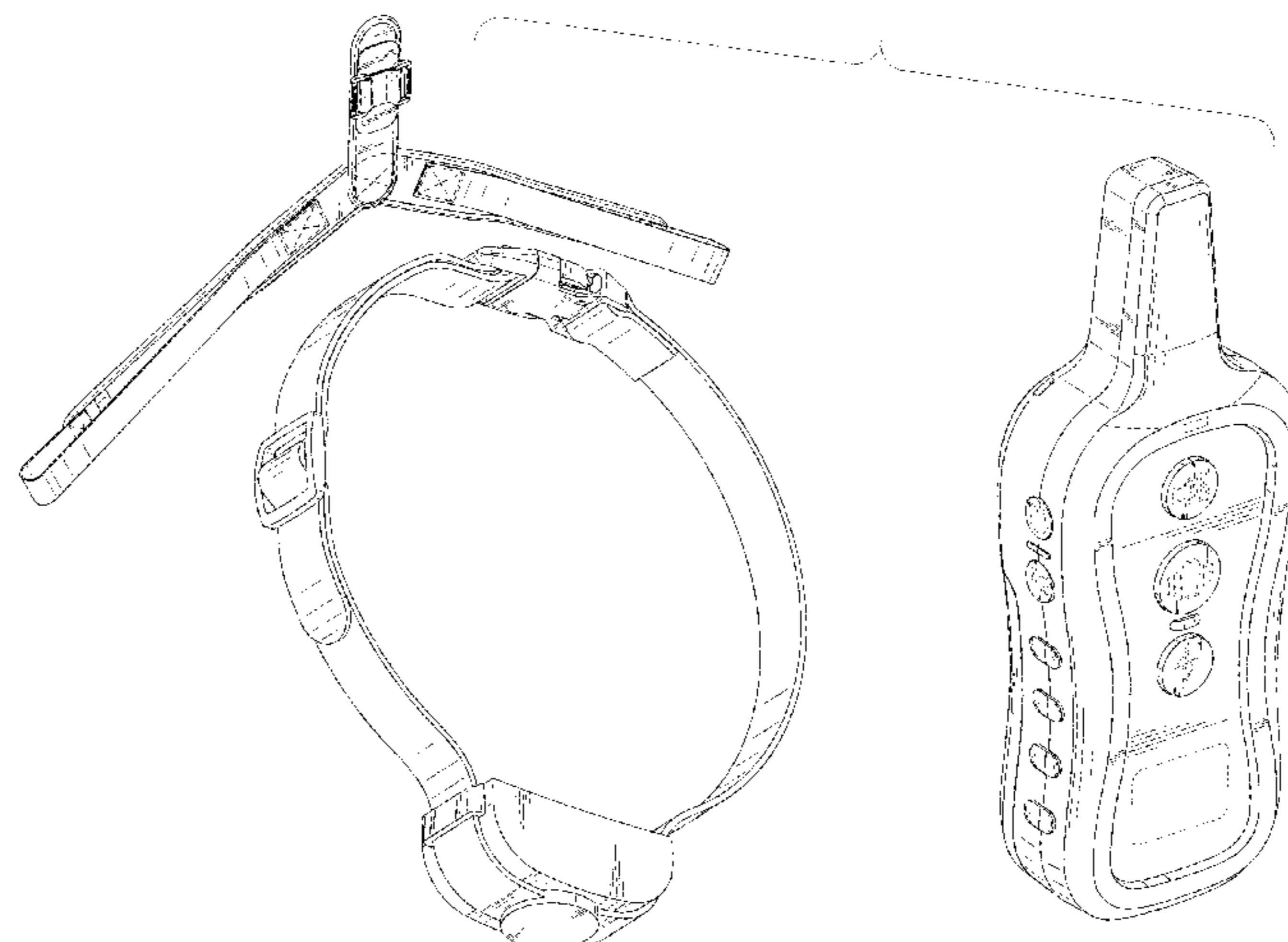
Primary Examiner — Katrina N Gonzalez

(57) **CLAIM**

The ornamental design for a pet training kit, as shown and described.

FIG. 1 is a perspective view of a pet training collar of a pet training kit showing my new design, shown separately for ease of illustration;
FIG. 2 is another perspective view thereof;
FIG. 3 is a front elevational view thereof;
FIG. 4 is a rear elevational view thereof;
FIG. 5 is a left side elevational view thereof;
FIG. 6 is a right side elevational view thereof;
FIG. 7 is a top plan view thereof;
FIG. 8 is a bottom plan view thereof;
FIG. 9 is a perspective view of a remote control of the pet training kit shown separately for ease of illustration;
FIG. 10 is another perspective view thereof;
FIG. 11 is a front elevational view thereof;
FIG. 12 is a rear elevational view thereof;
FIG. 13 is a left side elevational view thereof;
FIG. 14 is a right side elevational view thereof;
FIG. 15 is a top plan view thereof;
FIG. 16 is a bottom plan view thereof;
FIG. 17 is a perspective view of a pet training belt of the pet training kit shown separately for ease of illustration;
FIG. 18 is another perspective view thereof;
FIG. 19 is a front elevational view thereof;
FIG. 20 is a rear elevational view thereof;
FIG. 21 is a left side elevational view thereof;
FIG. 22 is a right side elevational view thereof;
FIG. 23 is a top plan view thereof;
FIG. 24 is a bottom plan view thereof;
FIG. 25 is an enlarged detail view as designated in FIG. 17; and,
FIG. 26 is a perspective view of the pet training kit.
The dash-dash broken lines illustrate portions of the pet training kit. FIGS. 17 and 25 show dash-dot broken lines that represent the boundaries and indicators of the enlarged view. The broken lines form no part of the claimed design.

1 Claim, 26 Drawing Sheets



(56)

References Cited

U.S. PATENT DOCUMENTS

D673,334 S * 12/2012 Guo D30/152
 D709,780 S * 7/2014 Hogg D10/104.1
 D745,229 S * 12/2015 Pulliam D30/199
 D748,350 S * 1/2016 Pulliam D30/152
 D753,350 S * 4/2016 Thitz D30/151
 D759,324 S * 6/2016 Pulliam D30/199
 D761,499 S * 7/2016 Pulliam D30/199
 D794,261 S * 8/2017 Pulliam D30/152
 D835,364 S * 12/2018 Lee D10/104.1
 D840,851 S * 2/2019 Ammar D10/104.1
 D846,817 S * 4/2019 Li D30/152
 D850,732 S * 6/2019 Dong D30/152
 D851,339 S * 6/2019 Solinsky D30/152
 D858,904 S * 9/2019 Zinn D10/104.1
 D879,390 S 3/2020 Cai
 D882,188 S * 4/2020 Dong D30/152
 D886,394 S * 6/2020 Dong D30/152
 D888,353 S * 6/2020 Lan D10/104.1
 D890,456 S 7/2020 Dai
 D898,307 S * 10/2020 Yang D10/104.1
 D938,669 S * 12/2021 Jia D10/104.1

D943,845 S * 2/2022 Li D10/104.1
 D944,470 S * 2/2022 Li D10/104.1
 D948,137 S * 4/2022 Bocknek D30/152
 D950,170 S * 4/2022 Li D10/104.1
 2008/0156277 A1 * 7/2008 Mainini A01K 27/009
 119/718
 2010/0162966 A1 * 7/2010 McFarland A01K 27/001
 119/858
 2018/0249680 A1 * 9/2018 Van Curen A01K 15/022
 2021/0289748 A1 * 9/2021 Ma A01K 15/021

OTHER PUBLICATIONS

“PATPET” available Apr. 27, 2019, [online], [site visited Jun. 14, 2022]. Retrieved from Internet, URL:<https://www.amazon.com/PATPET-Training-Collar-Vibration-Rainproof/dp/B07VWB716R?th=1> (Year: 2019).*

“PATPET P350 300M” available Nov. 18, 2020, [online], [site visited Jun. 14, 2022]. Retrieved from Internet, URL:<https://www.chewy.com/patpet-p350-300m-energy-saving-remote/dp/245012> (Year: 2020).*

* cited by examiner

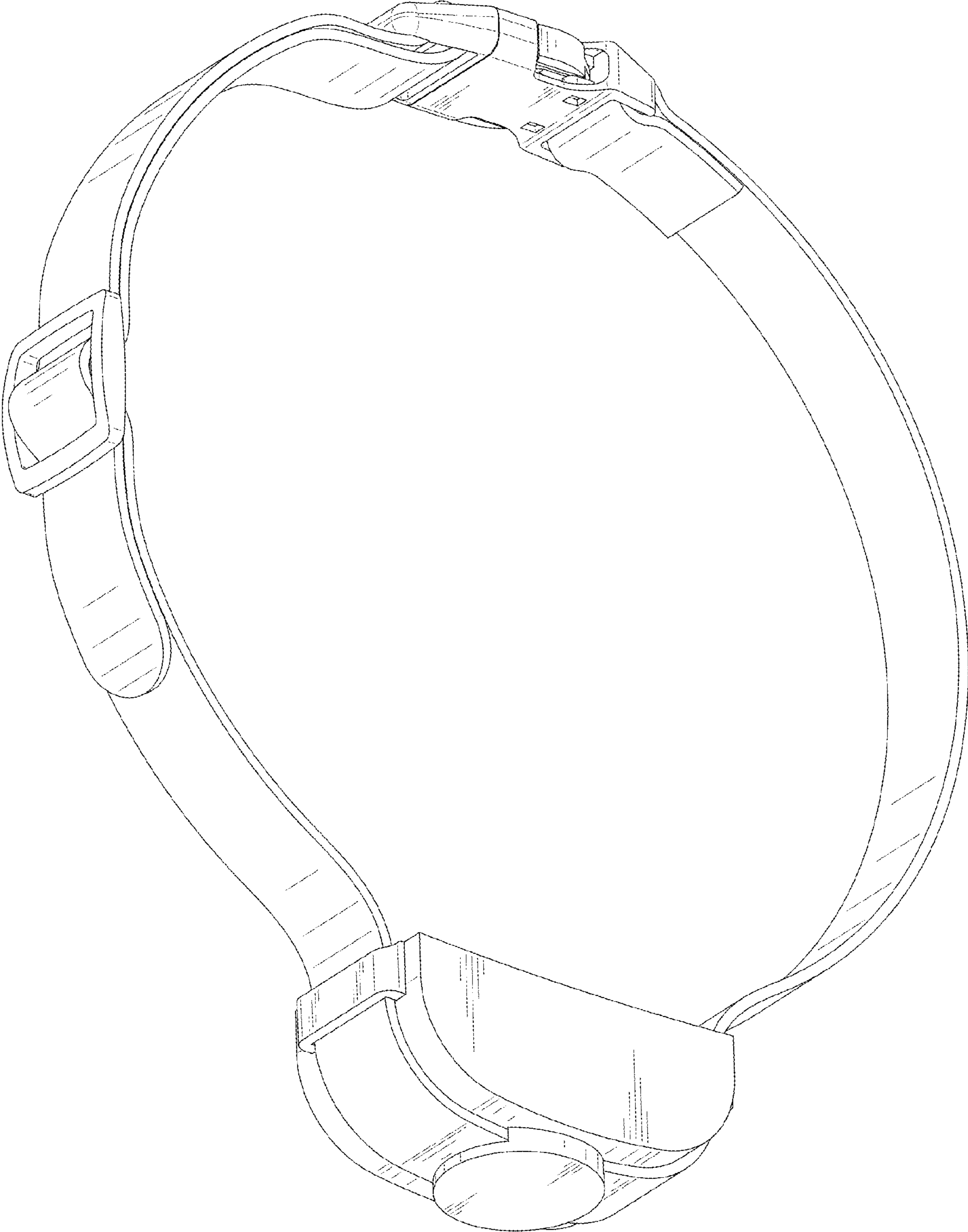


FIG. 1

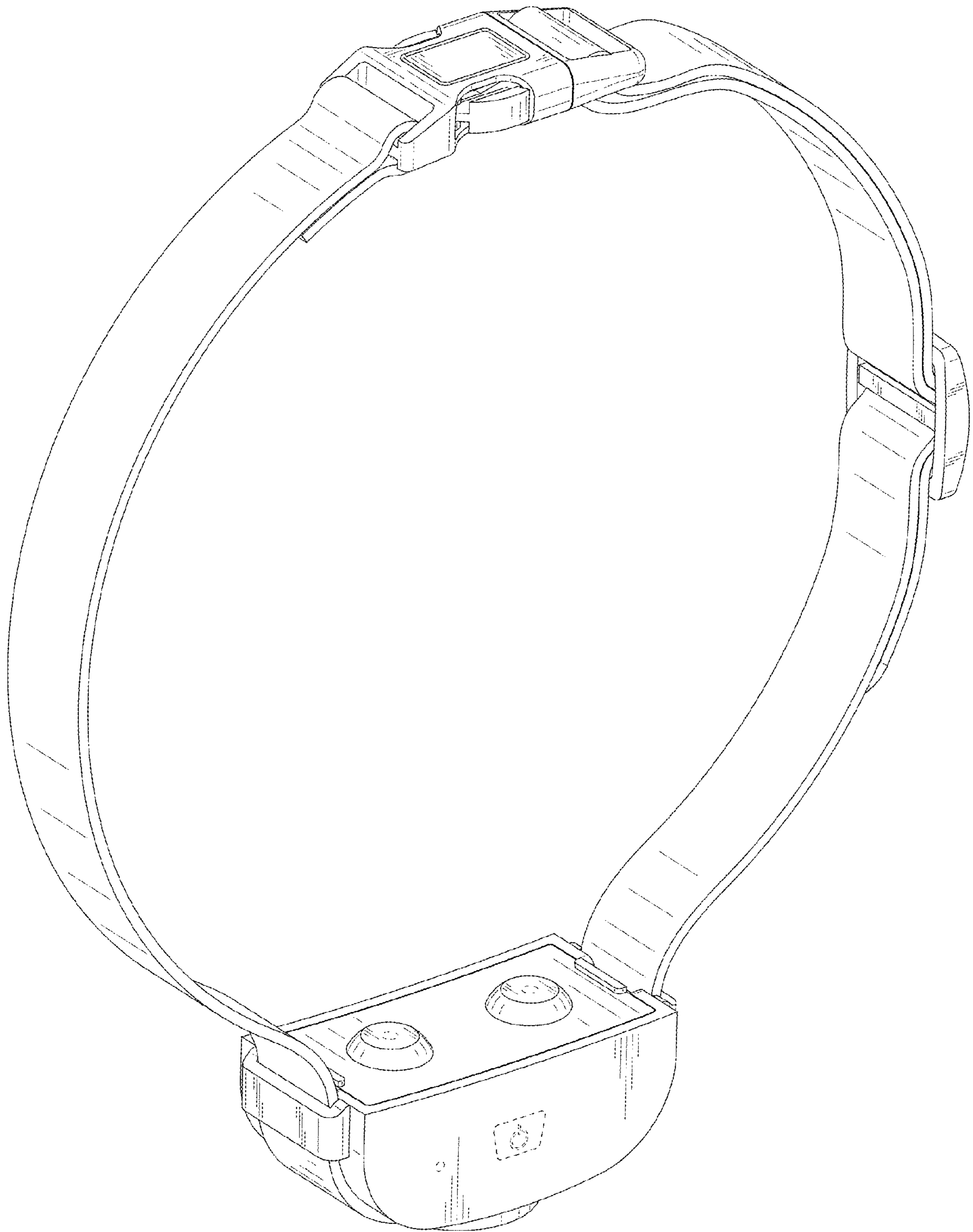


FIG. 2

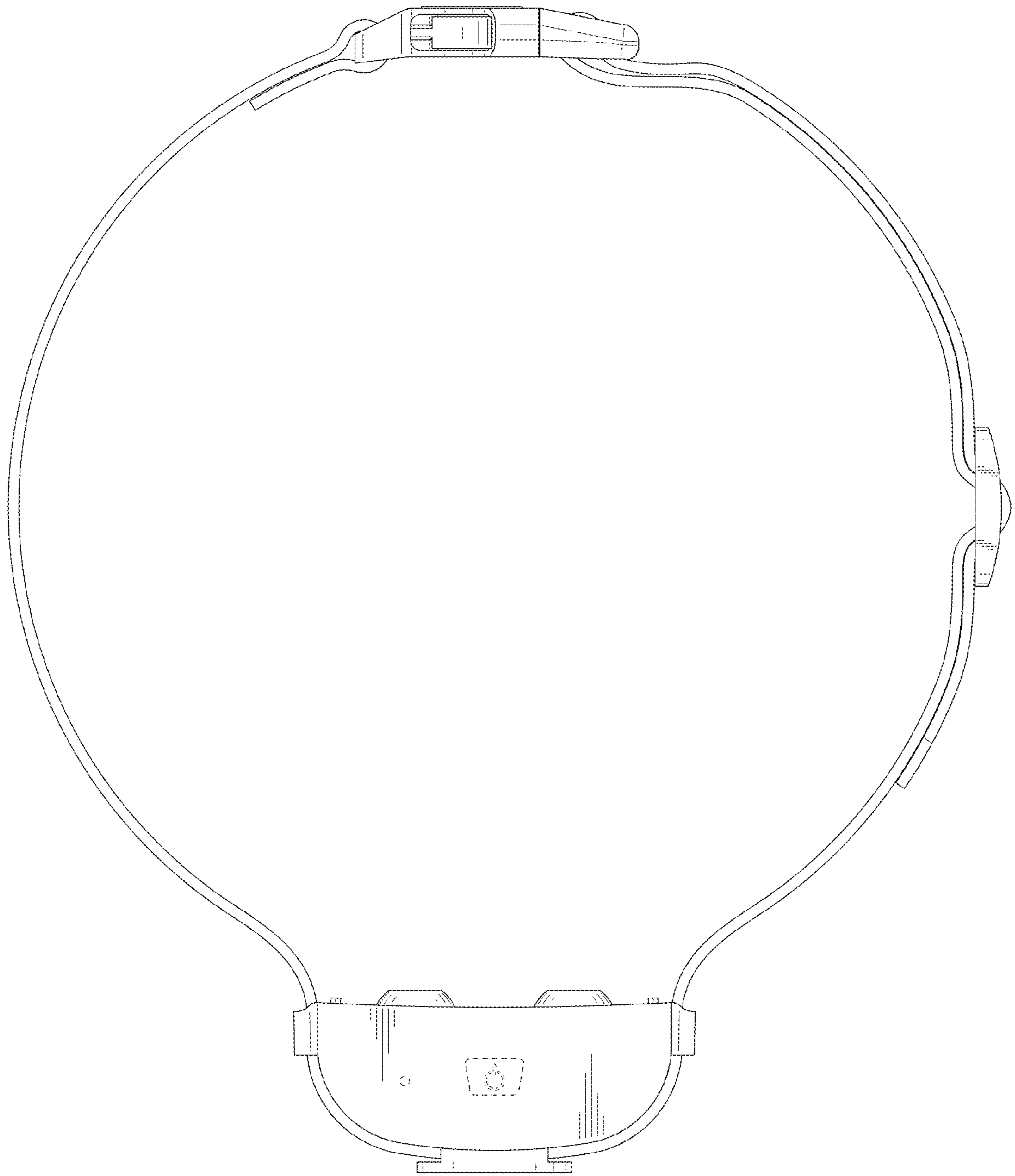


FIG. 3

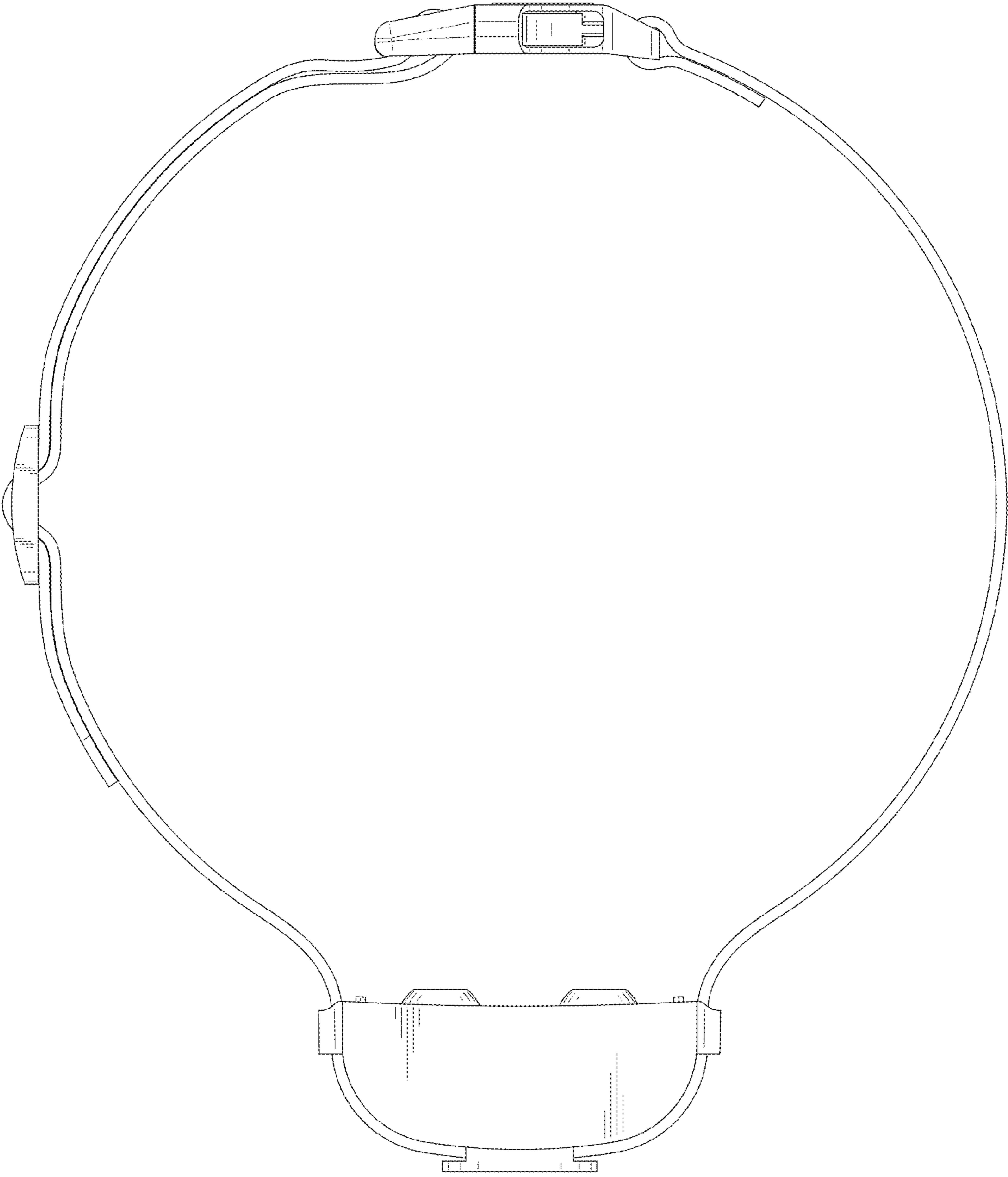


FIG. 4

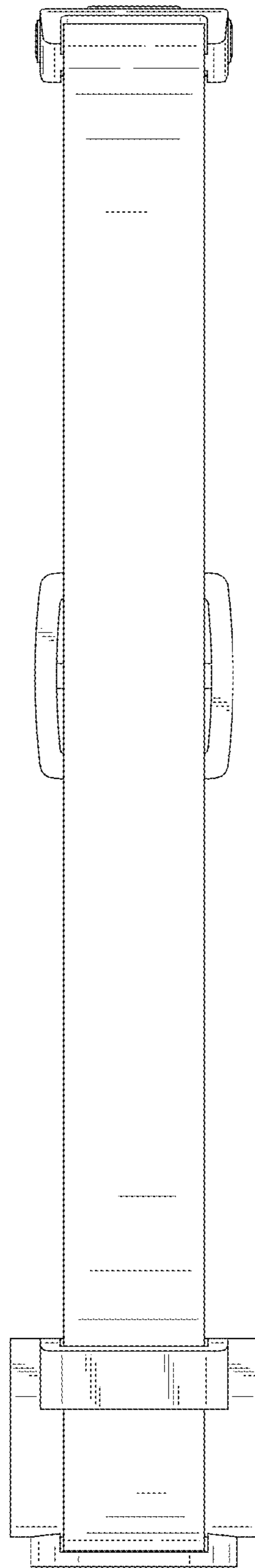


FIG. 5

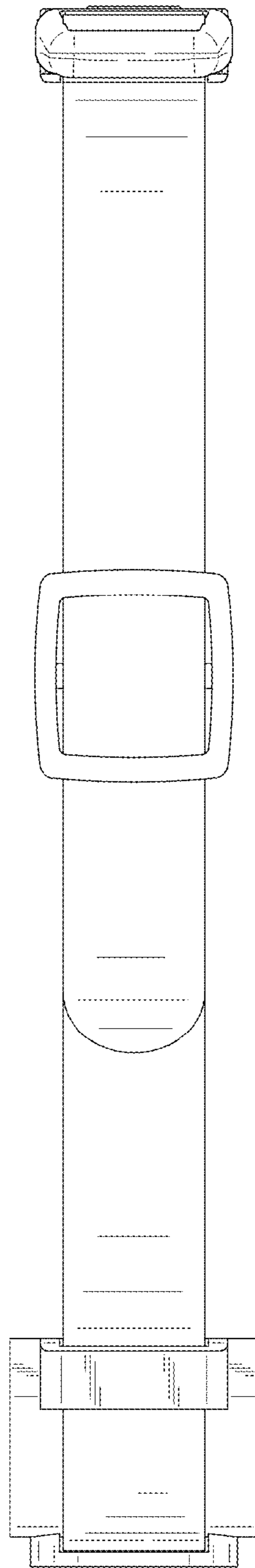


FIG. 6

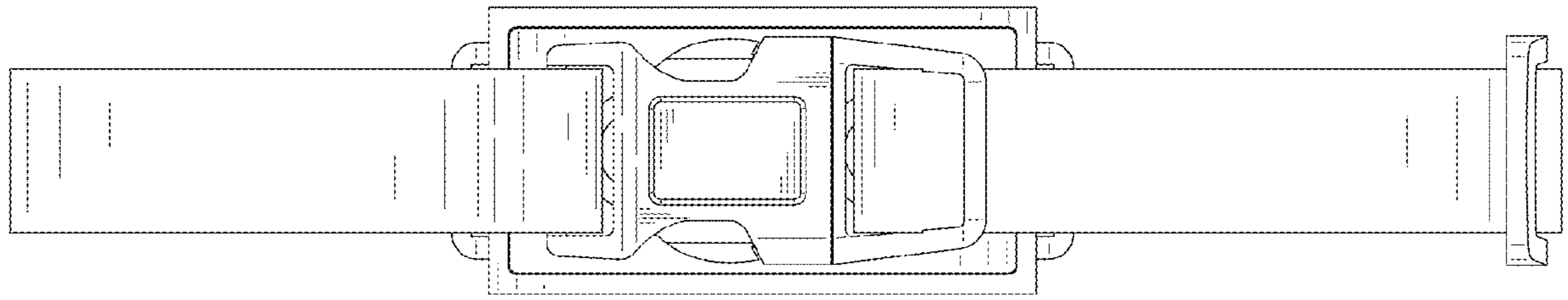


FIG. 7

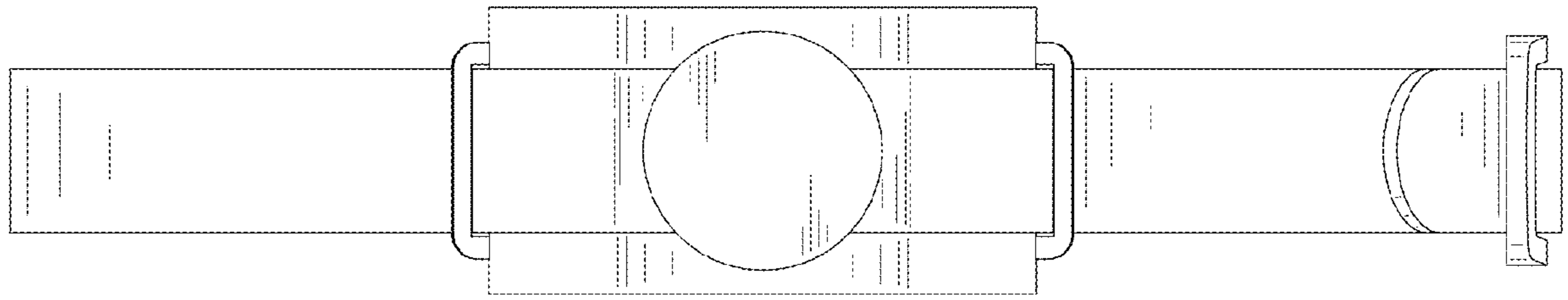


FIG. 8

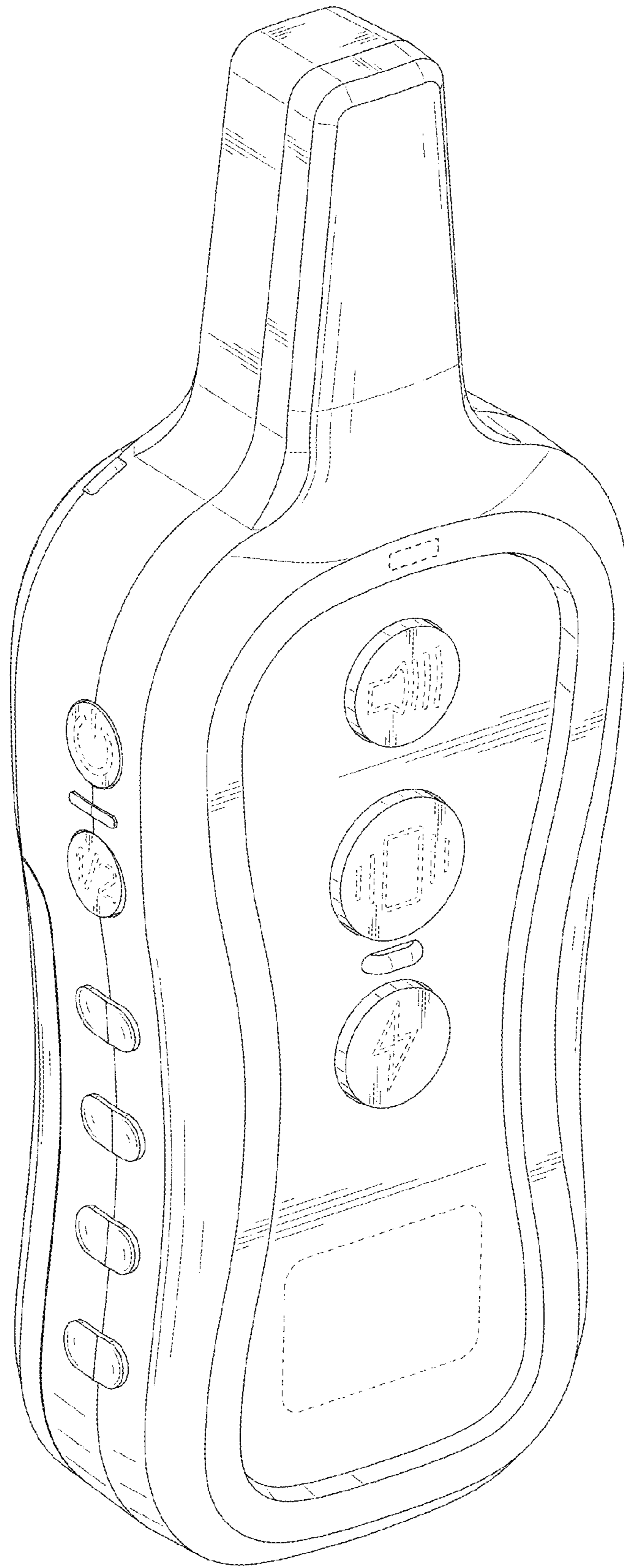


FIG. 9



FIG. 10

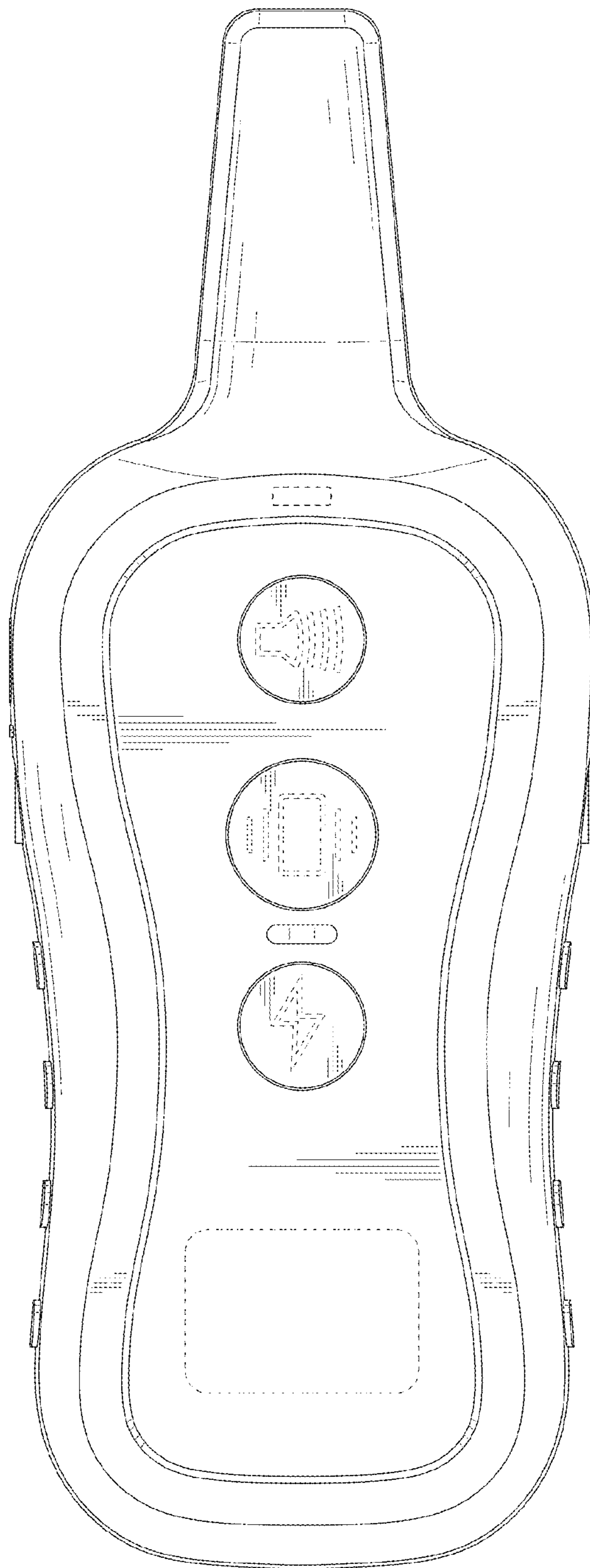


FIG. 11

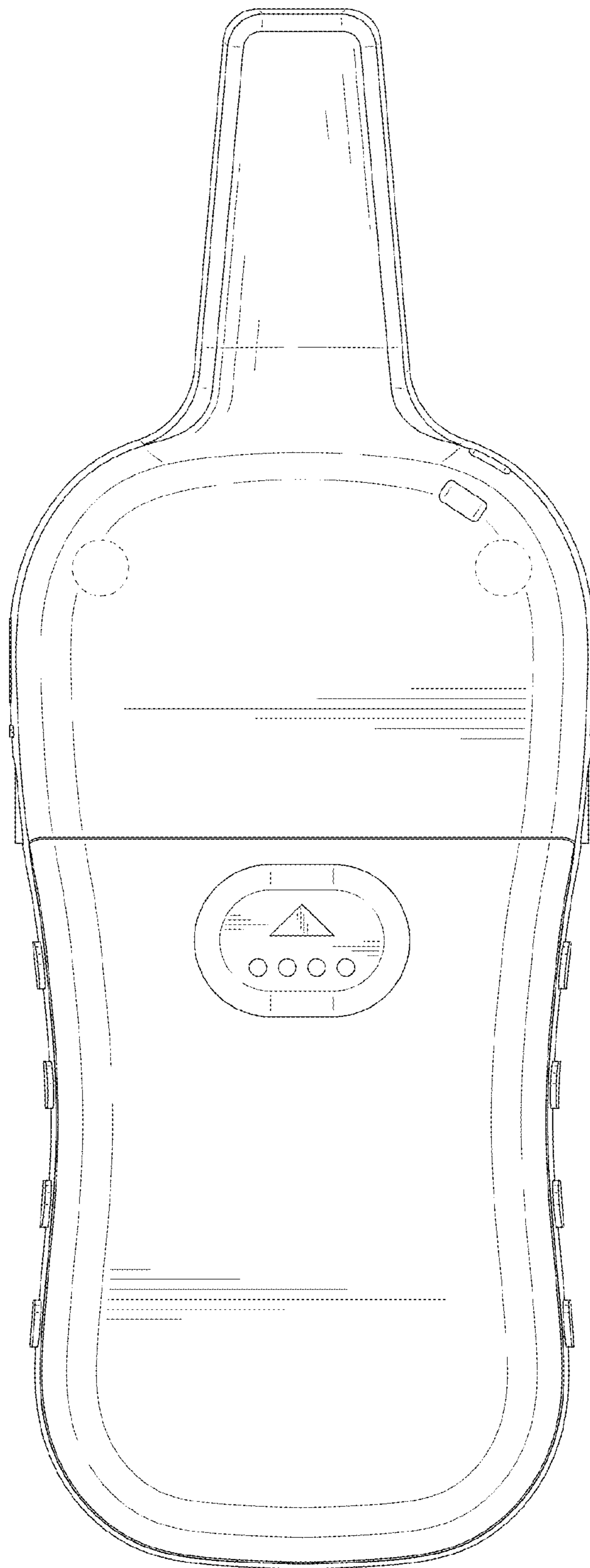


FIG. 12

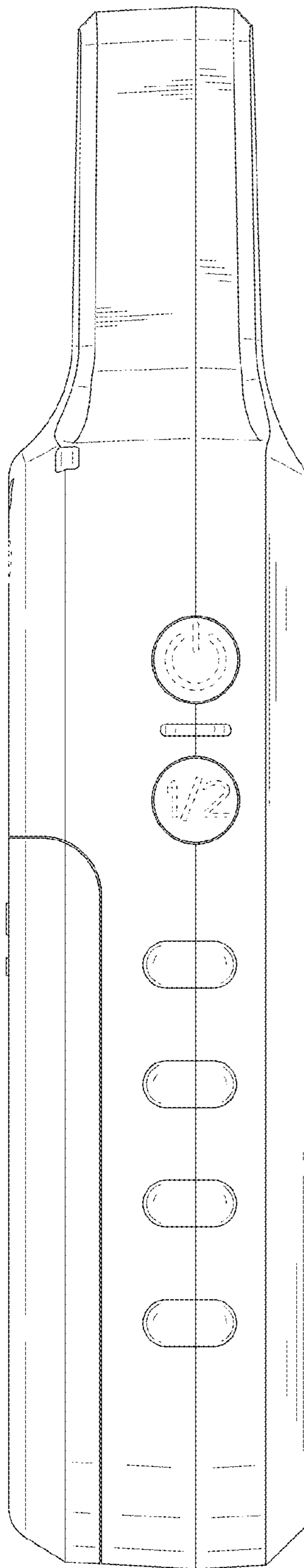


FIG. 13

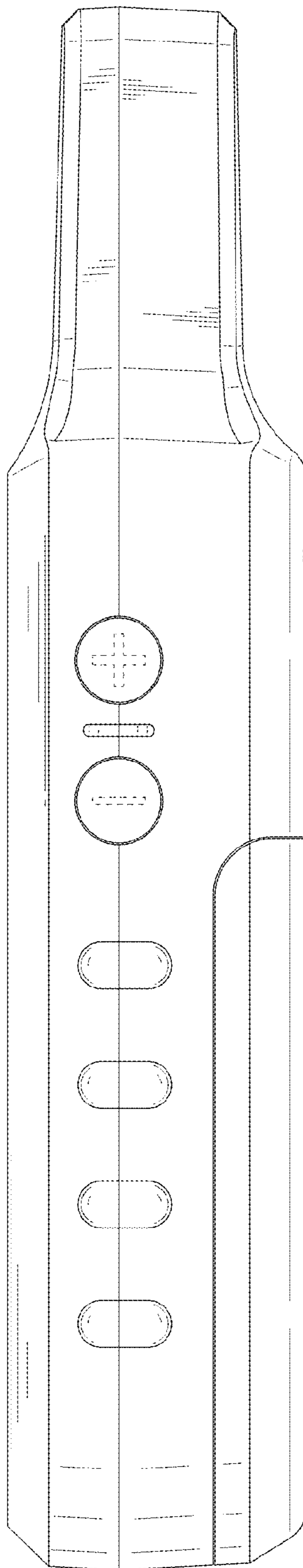


FIG. 14

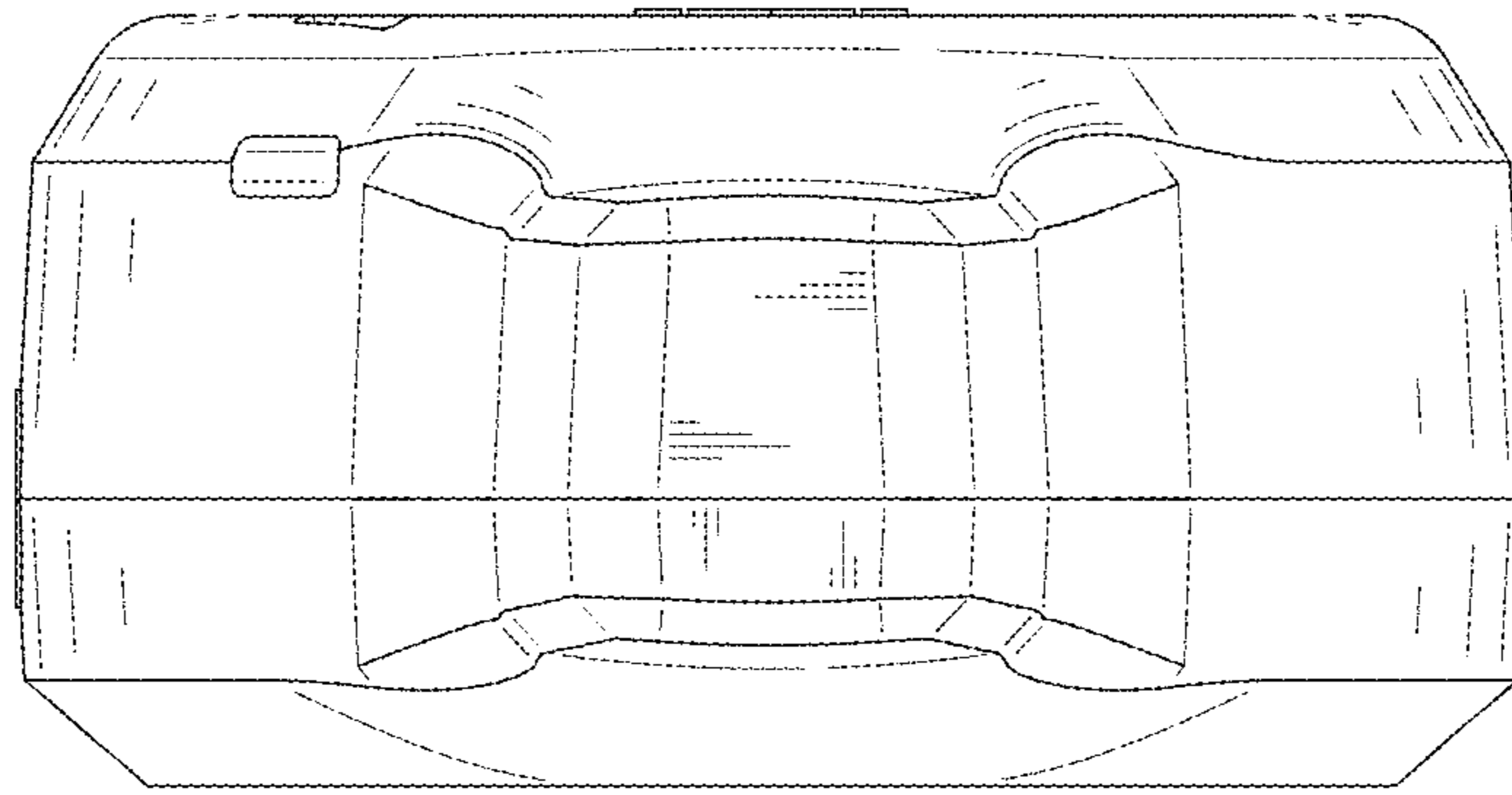


FIG. 15

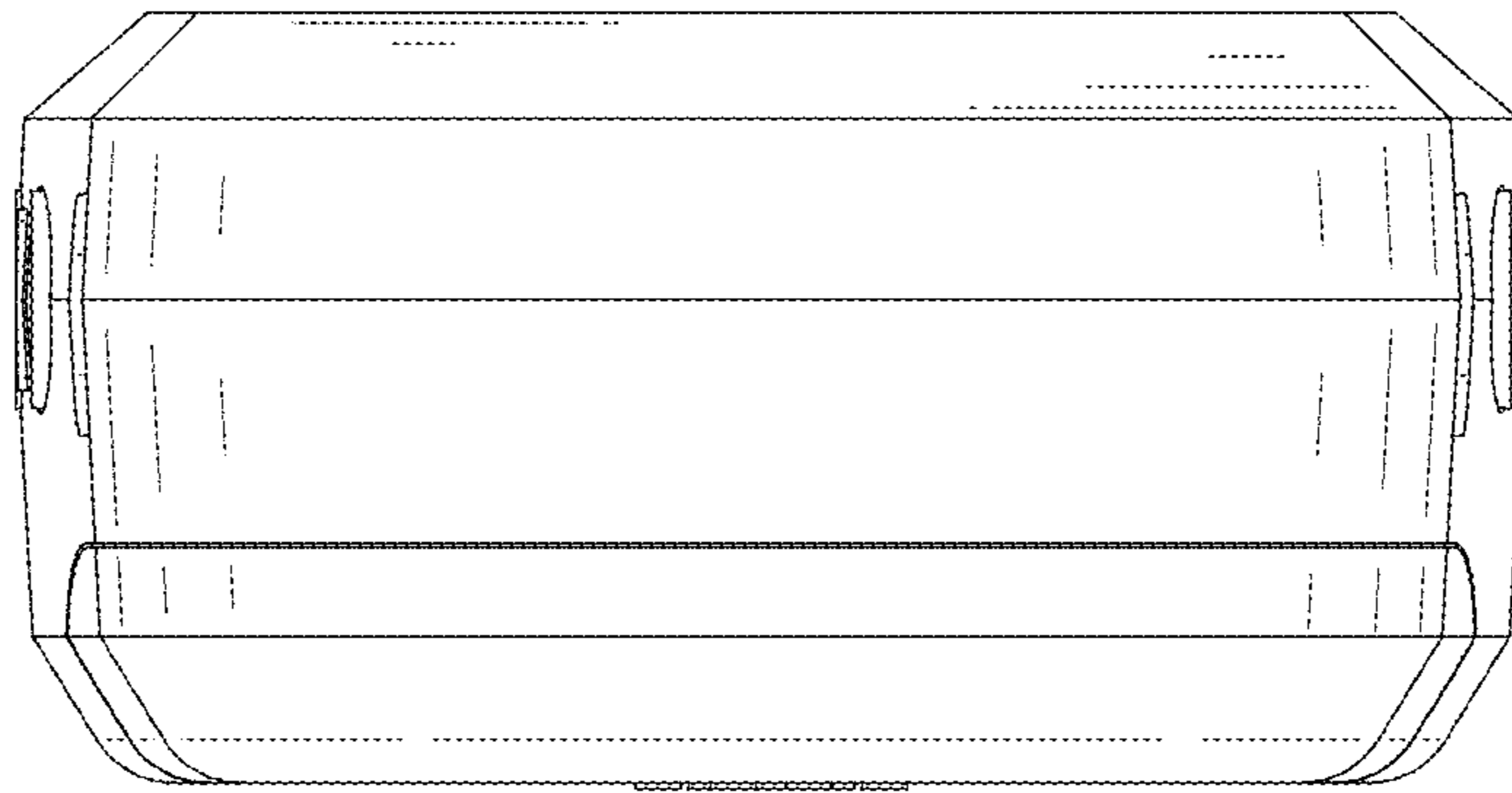


FIG. 16

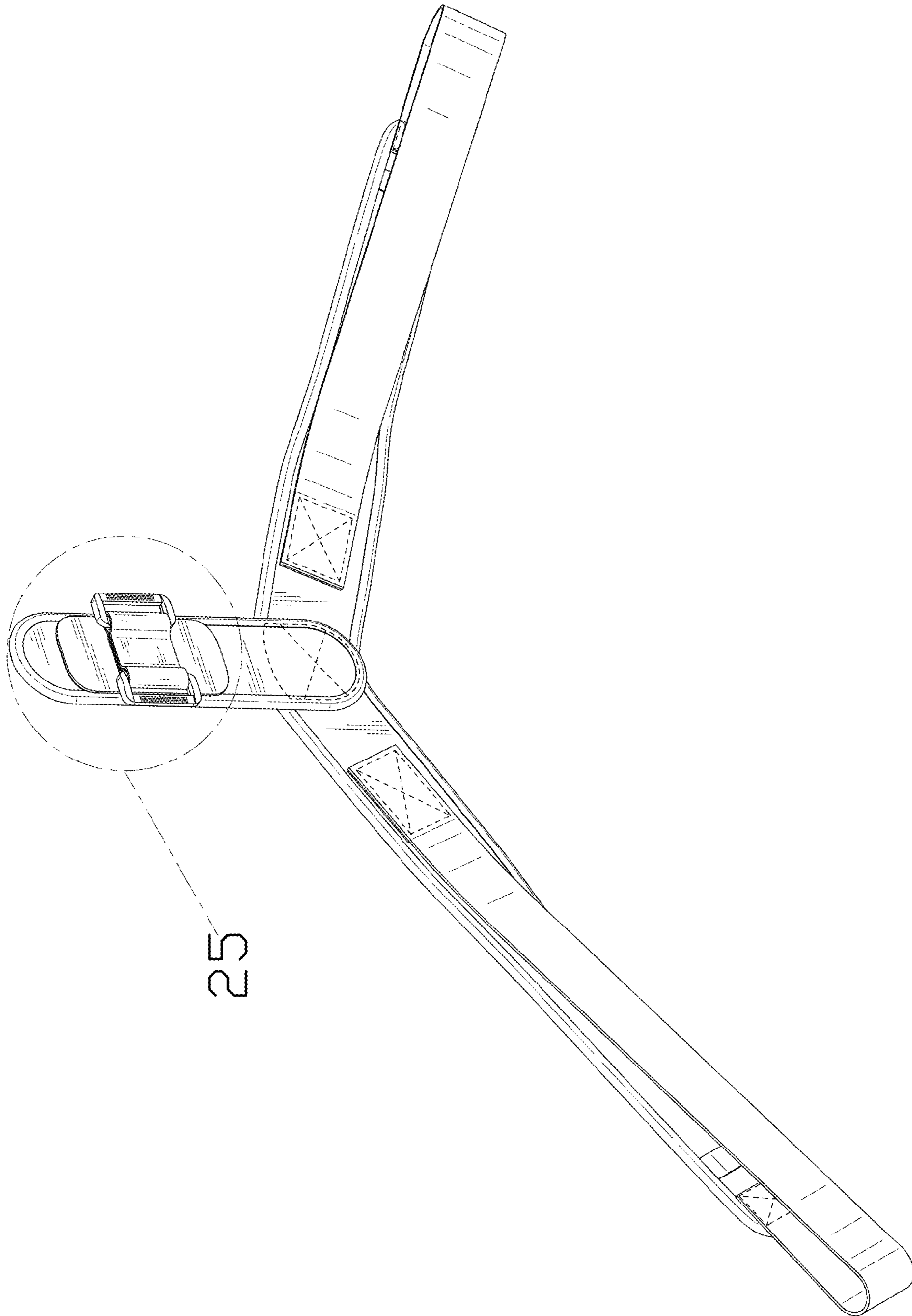


FIG. 17

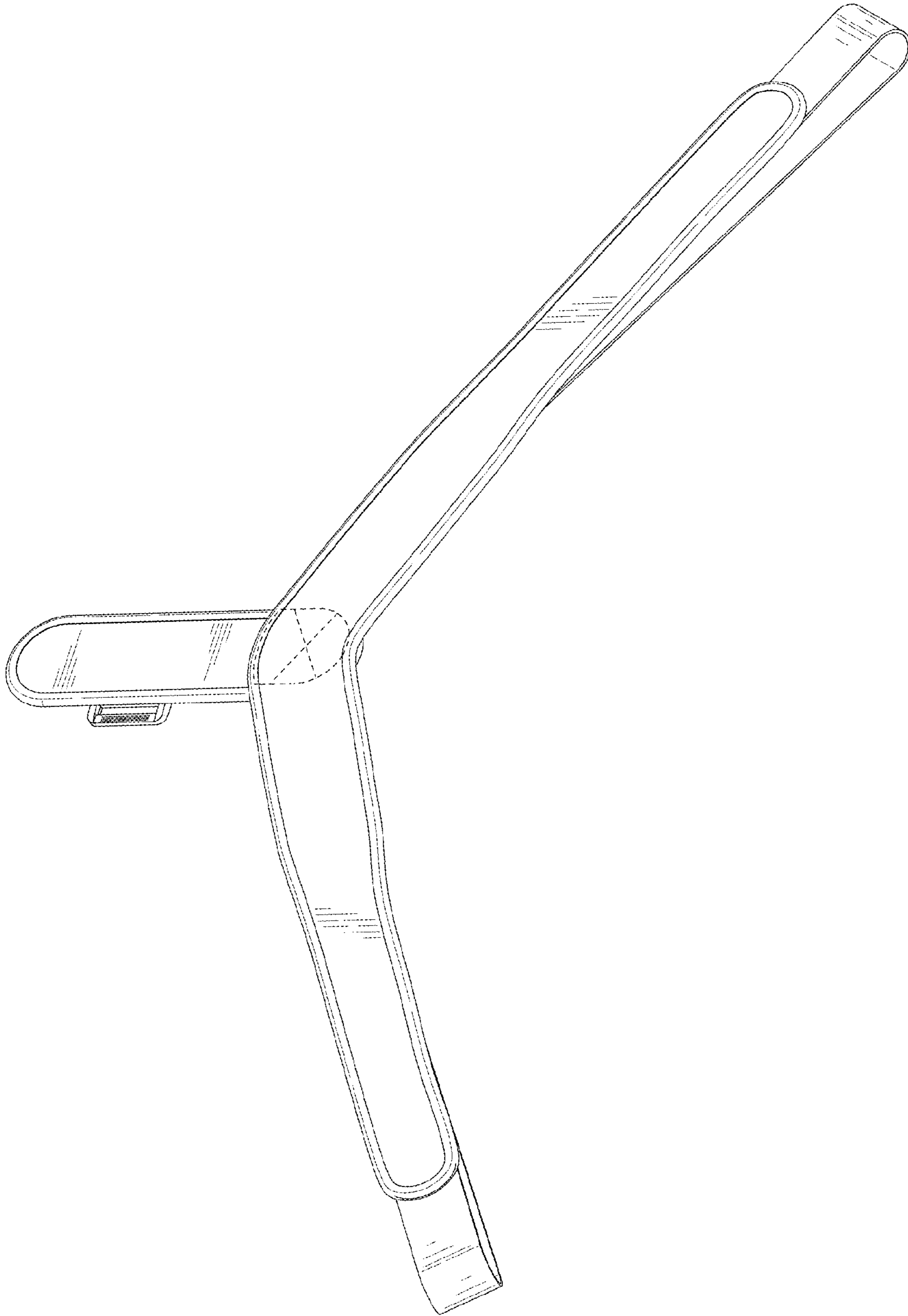


FIG. 18

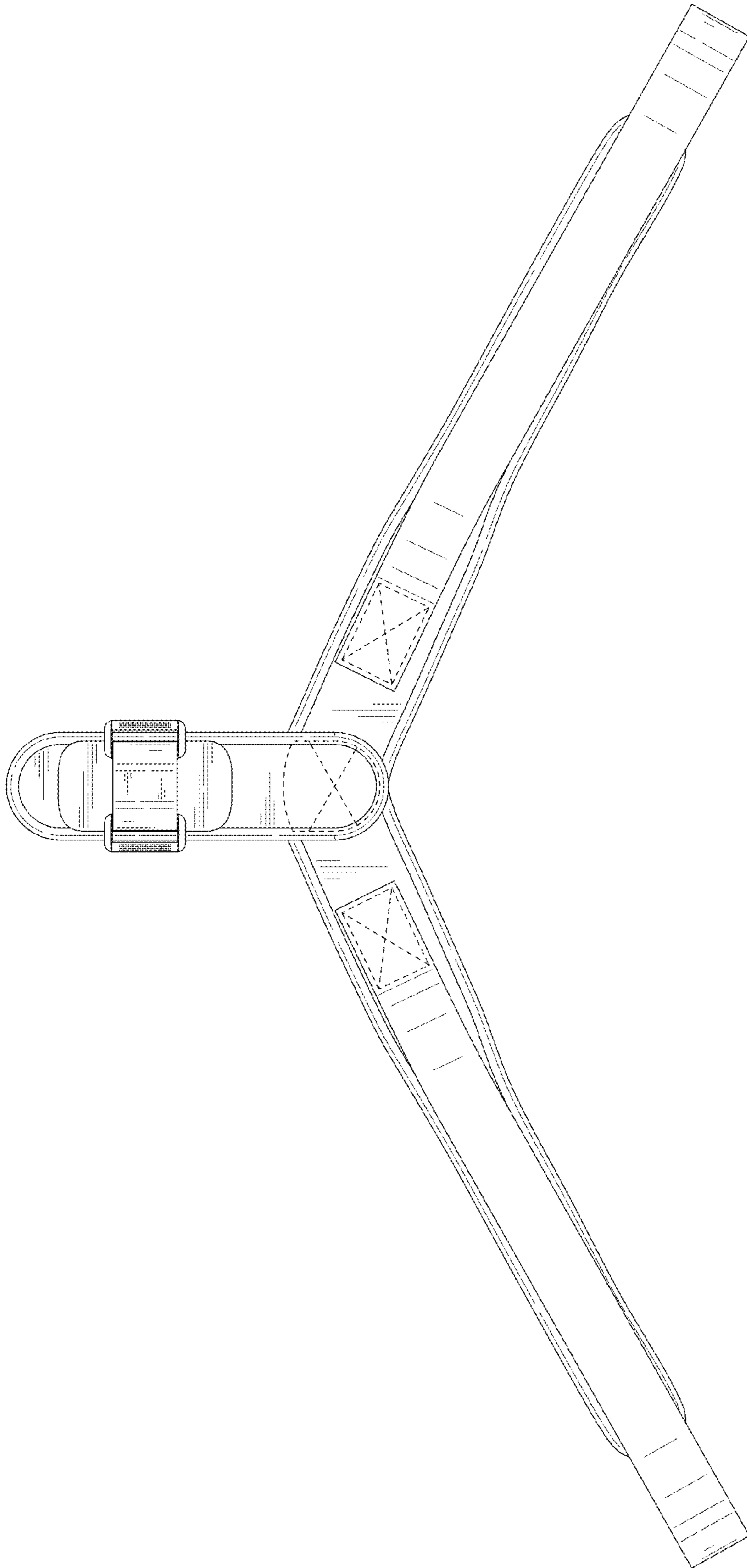


FIG. 19

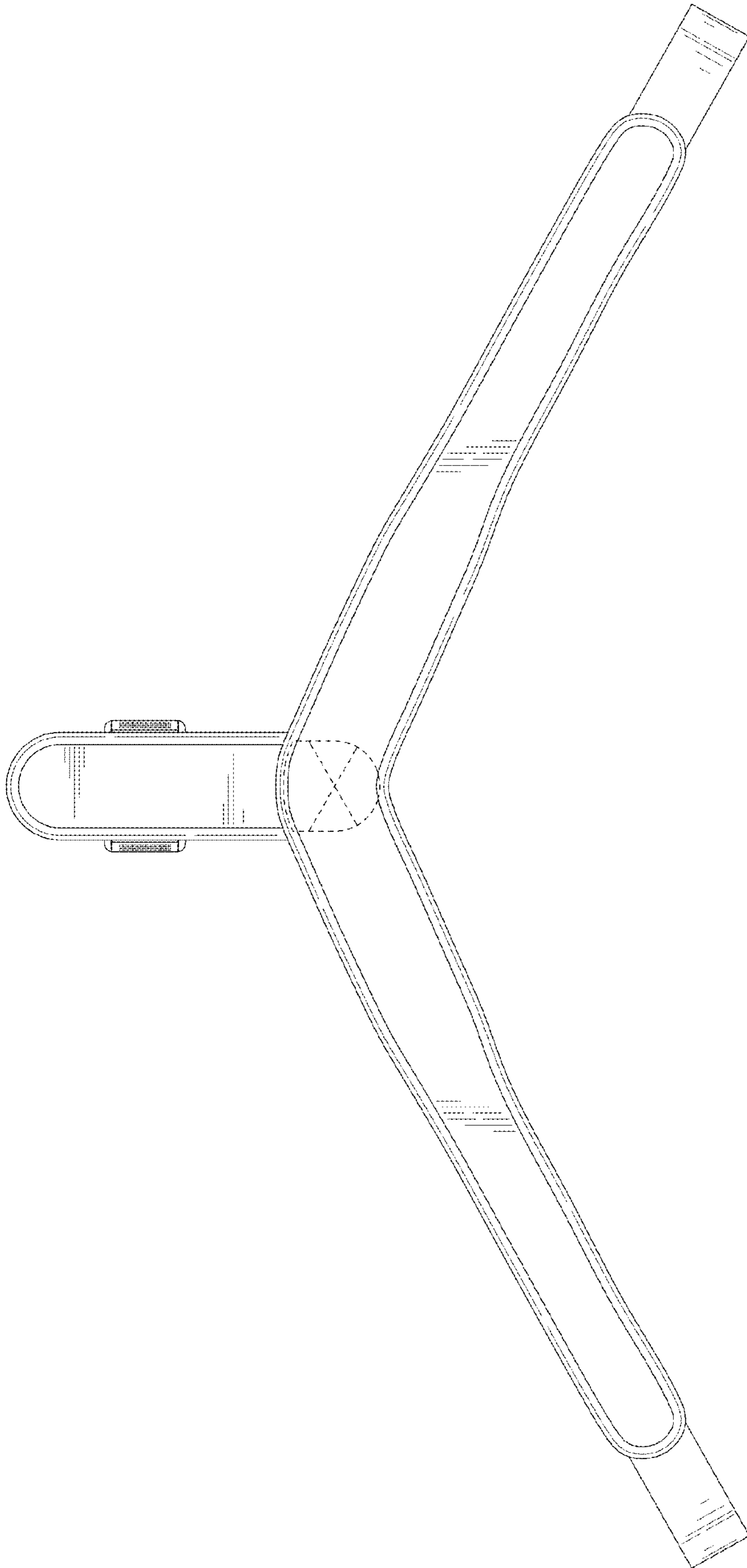


FIG. 20

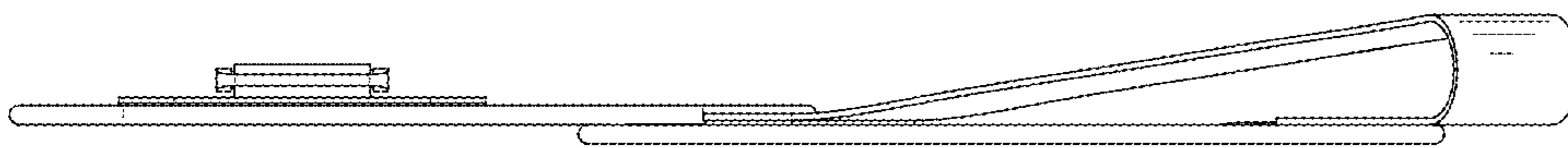


FIG. 21

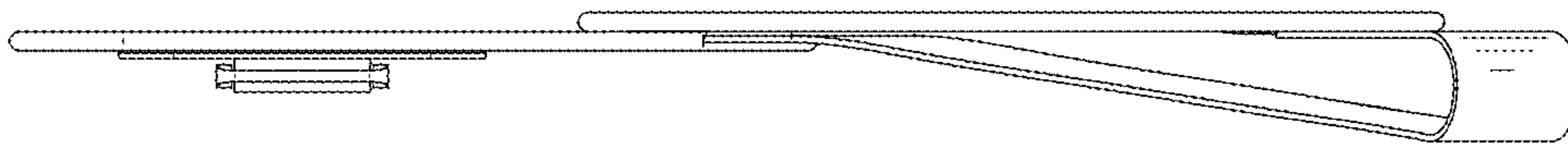


FIG. 22

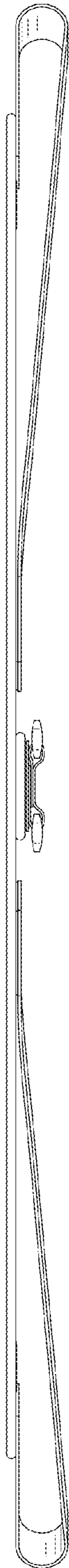


FIG. 23

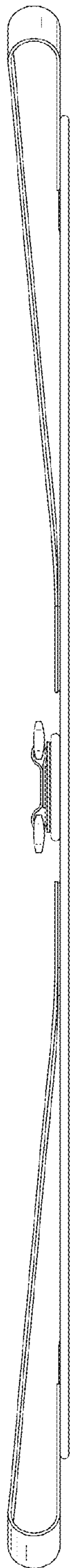


FIG. 24

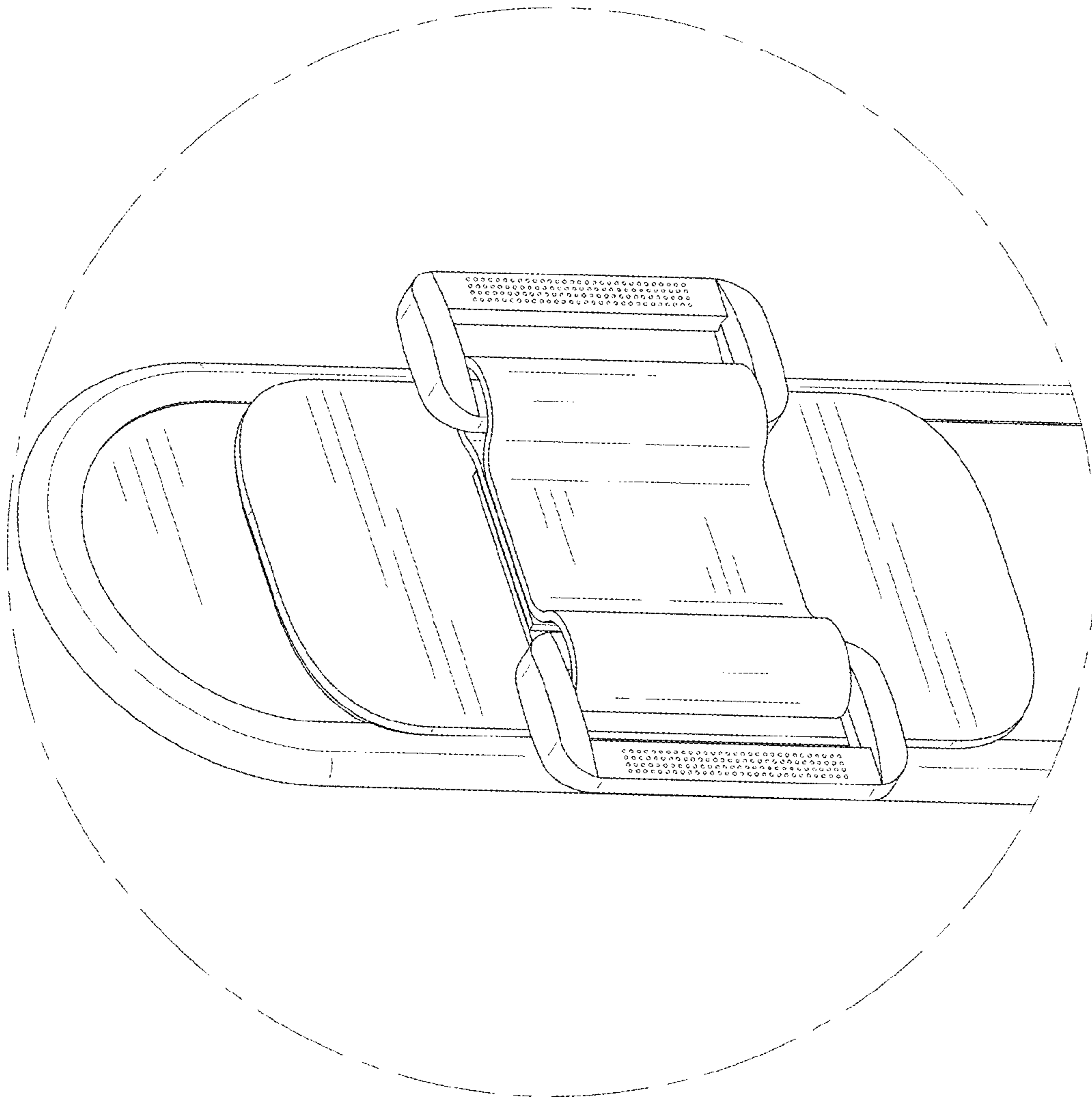


FIG. 25

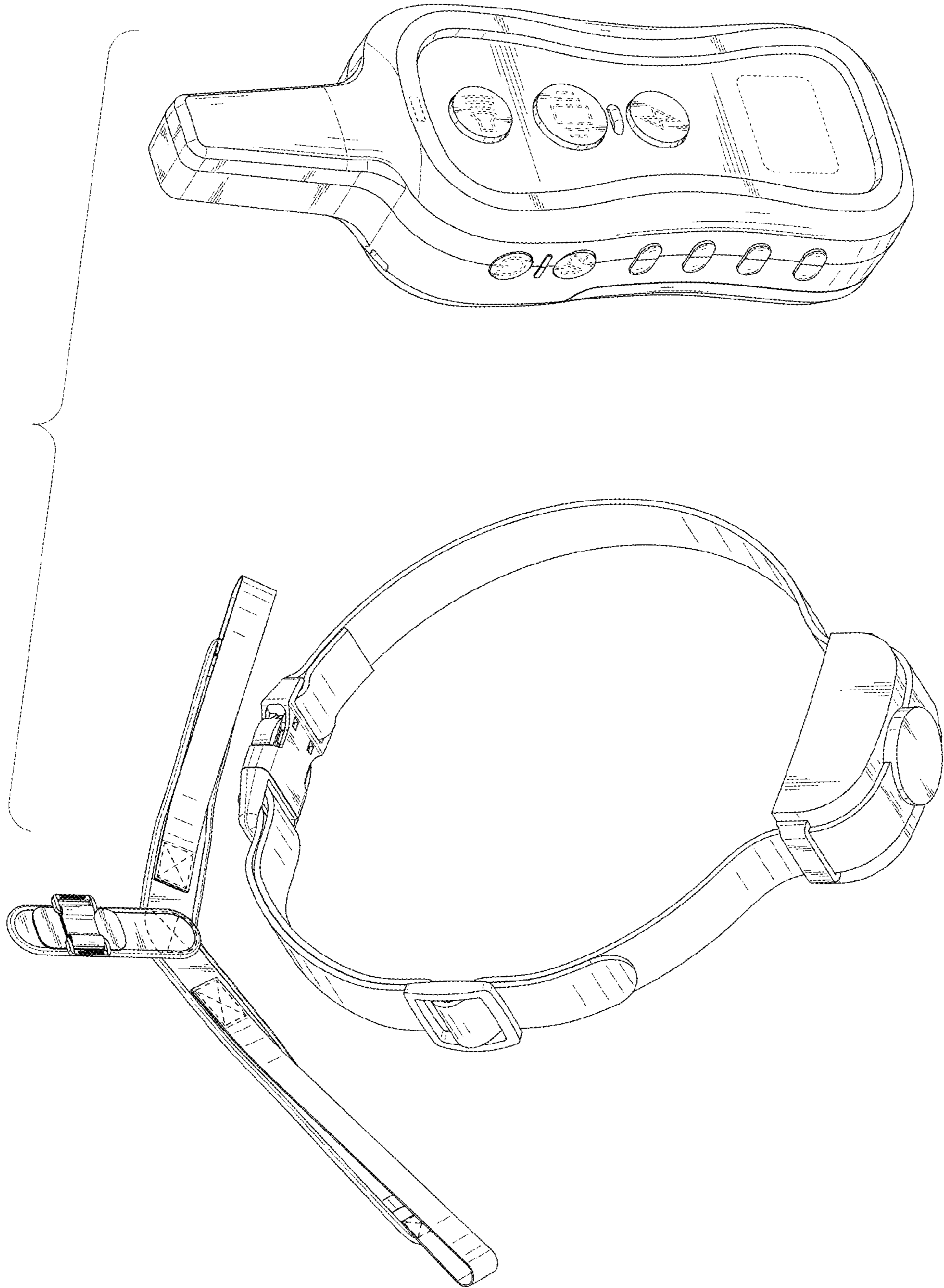


FIG. 26