



US00D977764S

(12) **United States Design Patent** (10) **Patent No.:** **US D977,764 S**
Ni (45) **Date of Patent:** **** Feb. 7, 2023**

(54) **RECEIVER OF PET TRAINER**
(71) Applicant: **Shenzhen DogCare Innovation & Technology Co., Ltd., Shenzhen (CN)**
(72) Inventor: **Xunyang Ni, Shenzhen (CN)**
(73) Assignee: **SHENZHEN DOGCARE INNOVATION & TECHNOLOGY CO., LTD., Shenzhen (CN)**

D884,994 S * 5/2020 Ni D10/104.1
D895,908 S * 9/2020 Yan D14/188
D919,201 S * 5/2021 Wang D10/104.1
D925,141 S * 7/2021 Lai D10/104.1
D926,396 S * 7/2021 Jia D10/104.1
D929,051 S * 8/2021 Li D10/104.1

(Continued)

FOREIGN PATENT DOCUMENTS

CN 306570314 * 5/2021

(**) Term: **15 Years**

OTHER PUBLICATIONS

(21) Appl. No.: **29/769,977**

DogCare Standard Dog Training E-Collar (EC11), posted date unknown [online], [retrieved Sep. 27, 2022]. Retrieved from internet <https://dogcare.net/products/dogcare-well-d-standard-shock-dog-training-collar-tc05> (Year: 2022).*

(22) Filed: **Feb. 9, 2021**

(30) **Foreign Application Priority Data**

Nov. 30, 2020 (CN) 202030733796.8

(51) **LOC (14) Cl.** **30-99**

(52) **U.S. Cl.**
USPC **D30/199; D10/104.1**

(58) **Field of Classification Search**
USPC D30/152, 155, 199; D10/104.1
CPC A01K 15/022; A01K 15/00
See application file for complete search history.

Primary Examiner — Sheryl Lane

Assistant Examiner — Emily A Caven

(74) *Attorney, Agent, or Firm* — Bayramoglu Law Offices LLC

(57) **CLAIM**

The ornamental design for a receiver of pet trainer, as shown and described.

DESCRIPTION

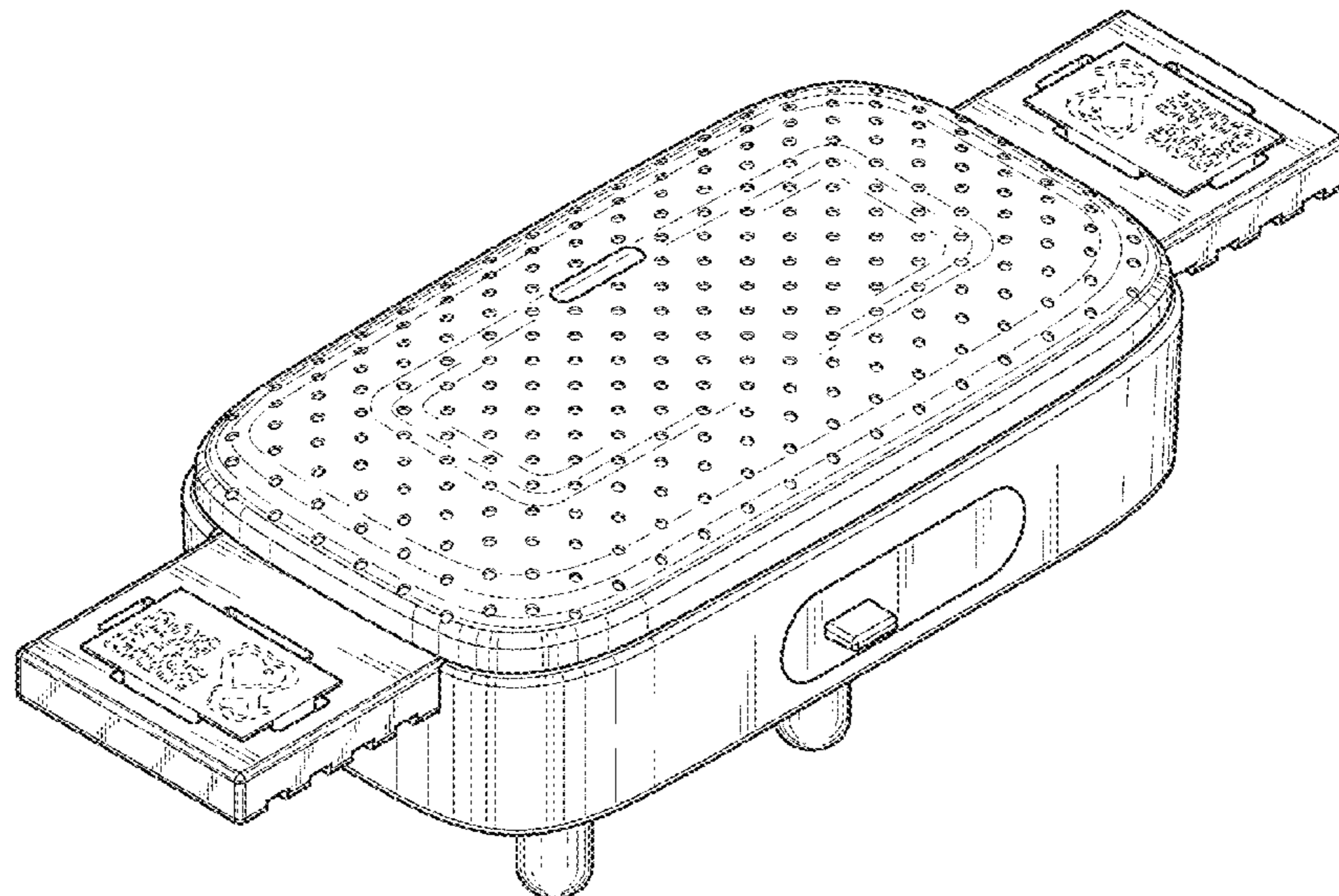
(56) **References Cited**

U.S. PATENT DOCUMENTS

D298,872 S * 12/1988 Cassel D30/152
D363,723 S * 10/1995 Hellier D14/243
D445,352 S * 7/2001 So D30/199
6,449,818 B1 * 9/2002 Fildan A44B 11/04
63/3
D471,121 S * 3/2003 Perez D10/106.91
D637,365 S * 5/2011 Li D30/155
D714,498 S * 9/2014 Khubani D30/152
D819,280 S * 5/2018 Li D30/152
D836,261 S * 12/2018 Ni D10/104.1
D858,904 S * 9/2019 Zinn D10/104.1
D872,383 S * 1/2020 Darnell D30/152

FIG. 1 is a front, bottom and left perspective view of a receiver of pet trainer showing my new design;
FIG. 2 is a front view thereof;
FIG. 3 is a rear view thereof;
FIG. 4 is a top view thereof;
FIG. 5 is a bottom view thereof;
FIG. 6 is a right side view thereof, a left side view being a mirror image of the right side view; and,
FIG. 7 is a rear, top and right perspective view thereof.
The broken lines depict portions of the receiver in which the design is embodied that form no part of the claimed design.

1 Claim, 7 Drawing Sheets



(56)

References Cited

U.S. PATENT DOCUMENTS

D929,682	S	*	8/2021	Li	D10/104.1
D938,668	S	*	12/2021	Jia	D10/104.1
D938,669	S	*	12/2021	Jia	D10/104.1
D943,844	S	*	2/2022	Li	D10/104.1
D943,845	S	*	2/2022	Li	D10/104.1
D944,470	S	*	2/2022	Li	D10/104.1
D945,721	S	*	3/2022	Luo	D10/104.1
D948,814	S	*	4/2022	Jin	D10/104.1
D948,816	S	*	4/2022	Jin	D10/104.1
D950,170	S	*	4/2022	Li	D10/104.1
D952,961	S	*	5/2022	Li	D30/152
D957,763	S	*	7/2022	Jia	A44B 11/04
						D10/104.1
D963,265	S	*	9/2022	Liu	D10/104.1

* cited by examiner

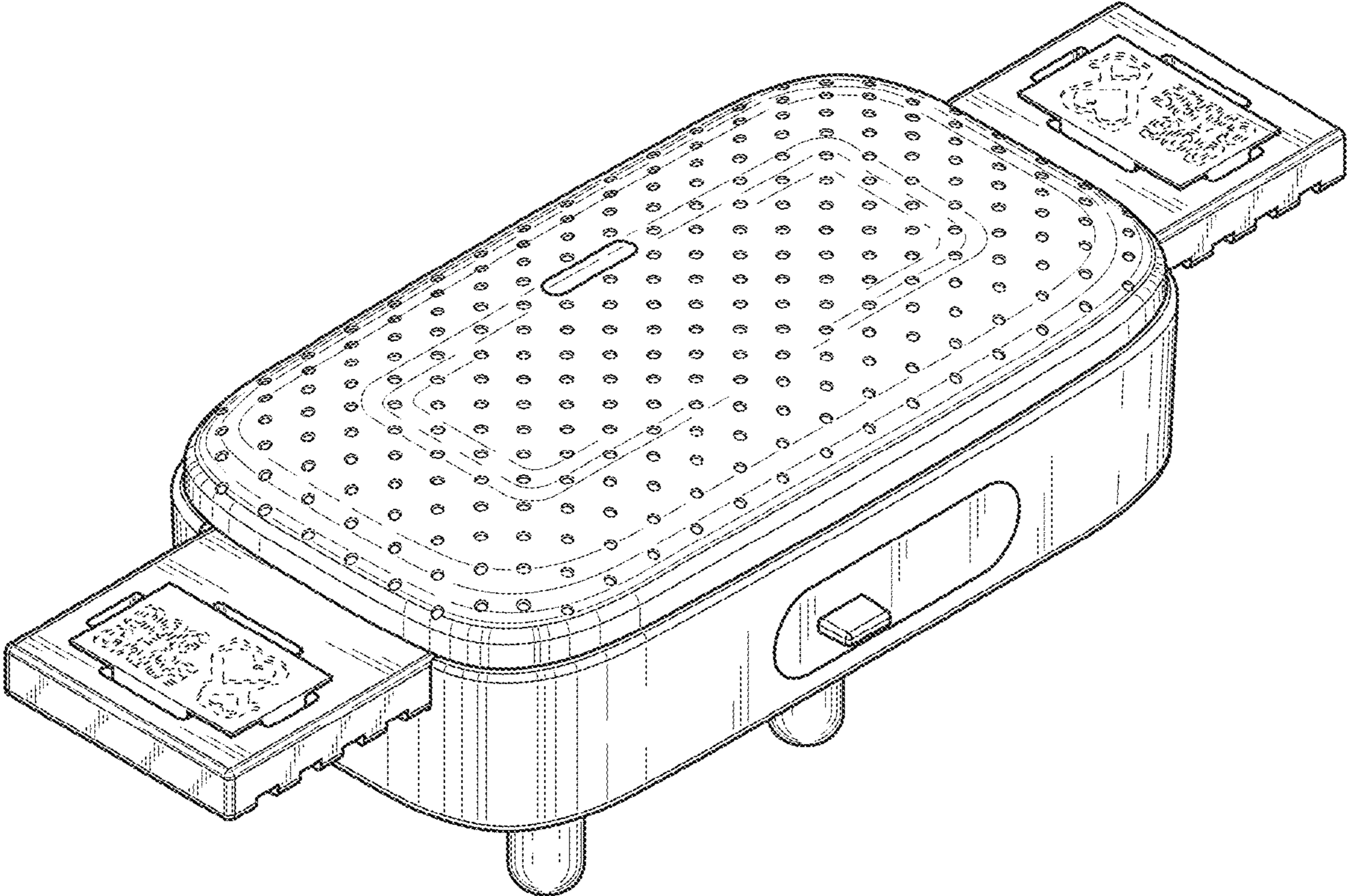


Fig. 1

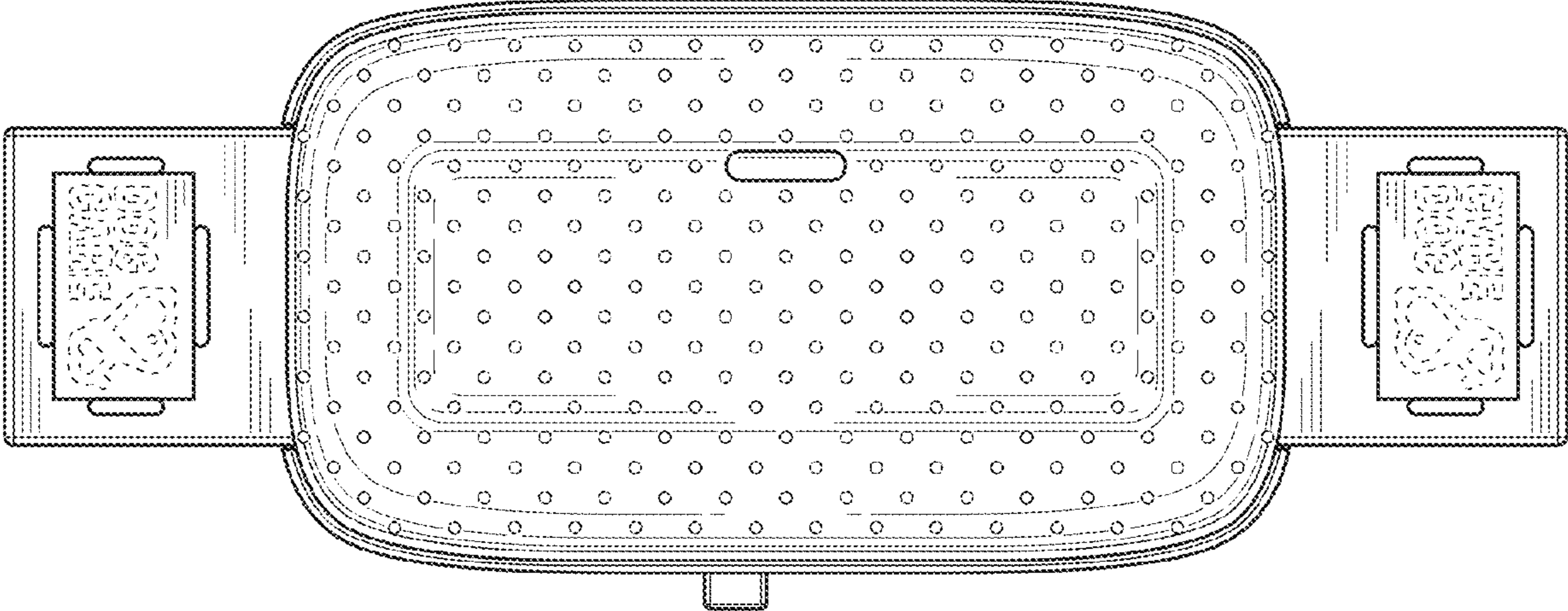


Fig. 2

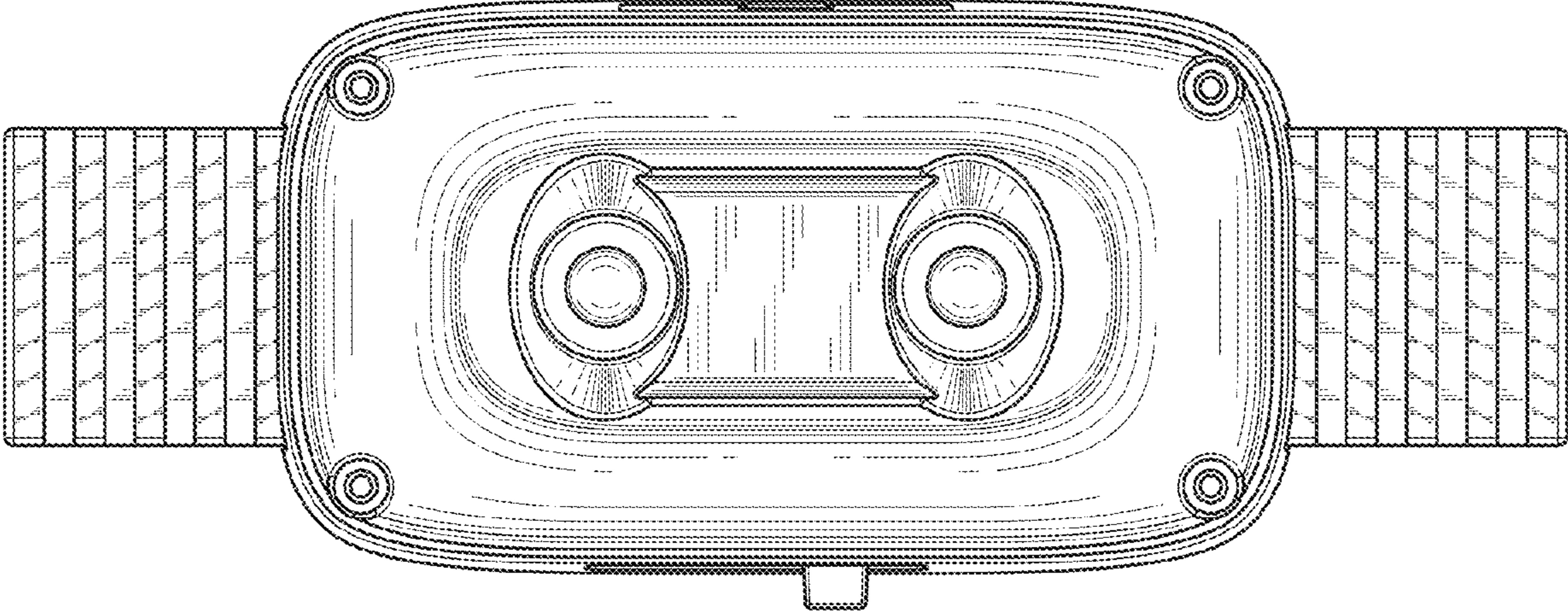


Fig. 3

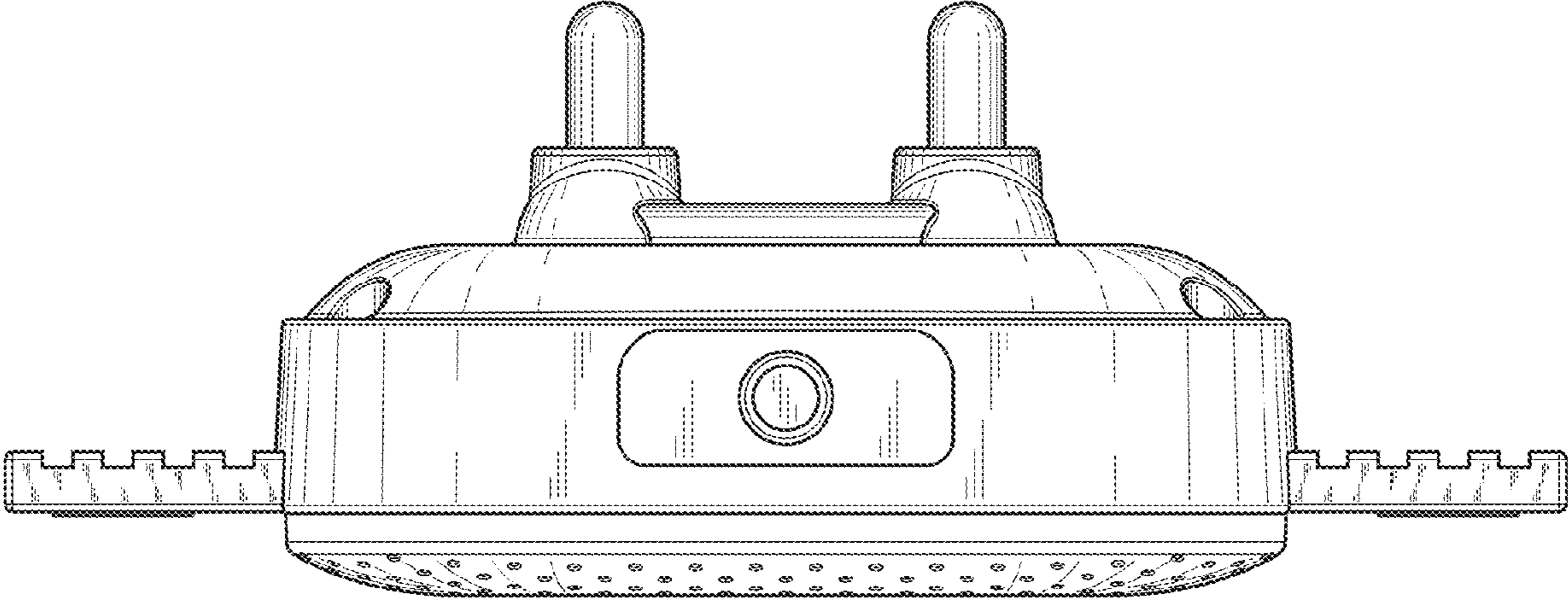


Fig. 4

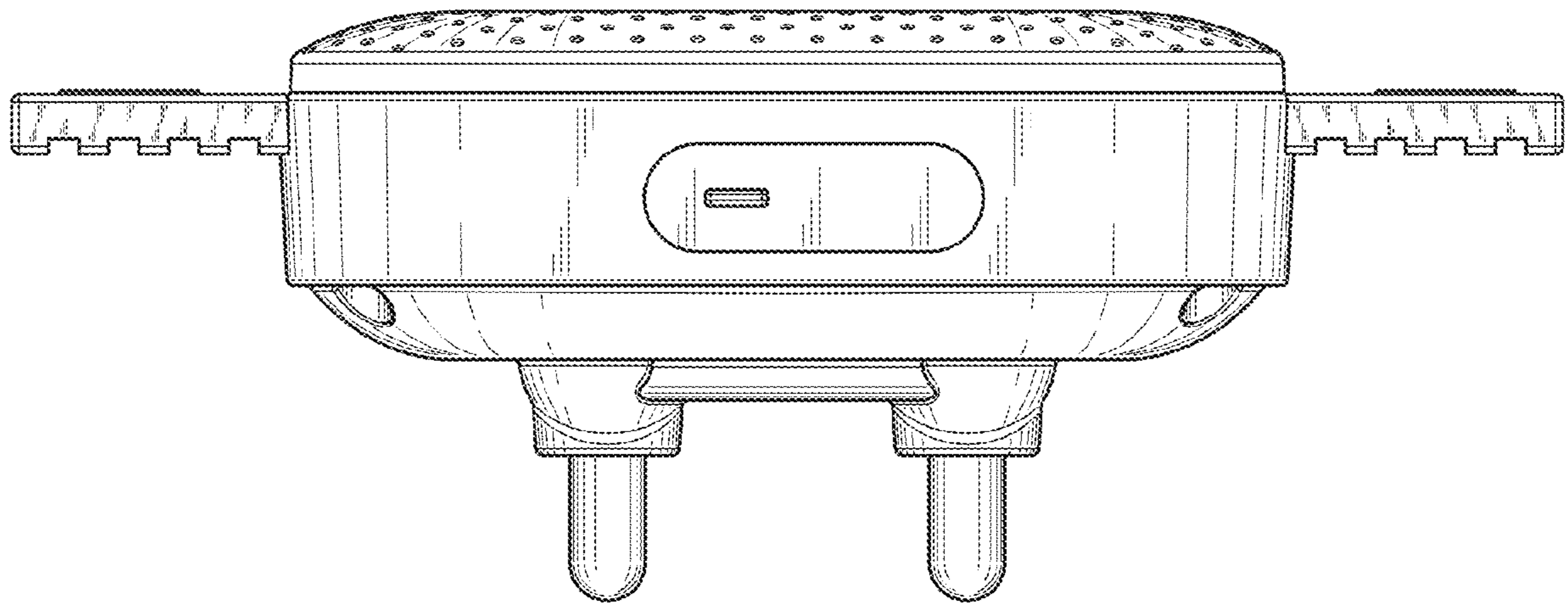


Fig. 5

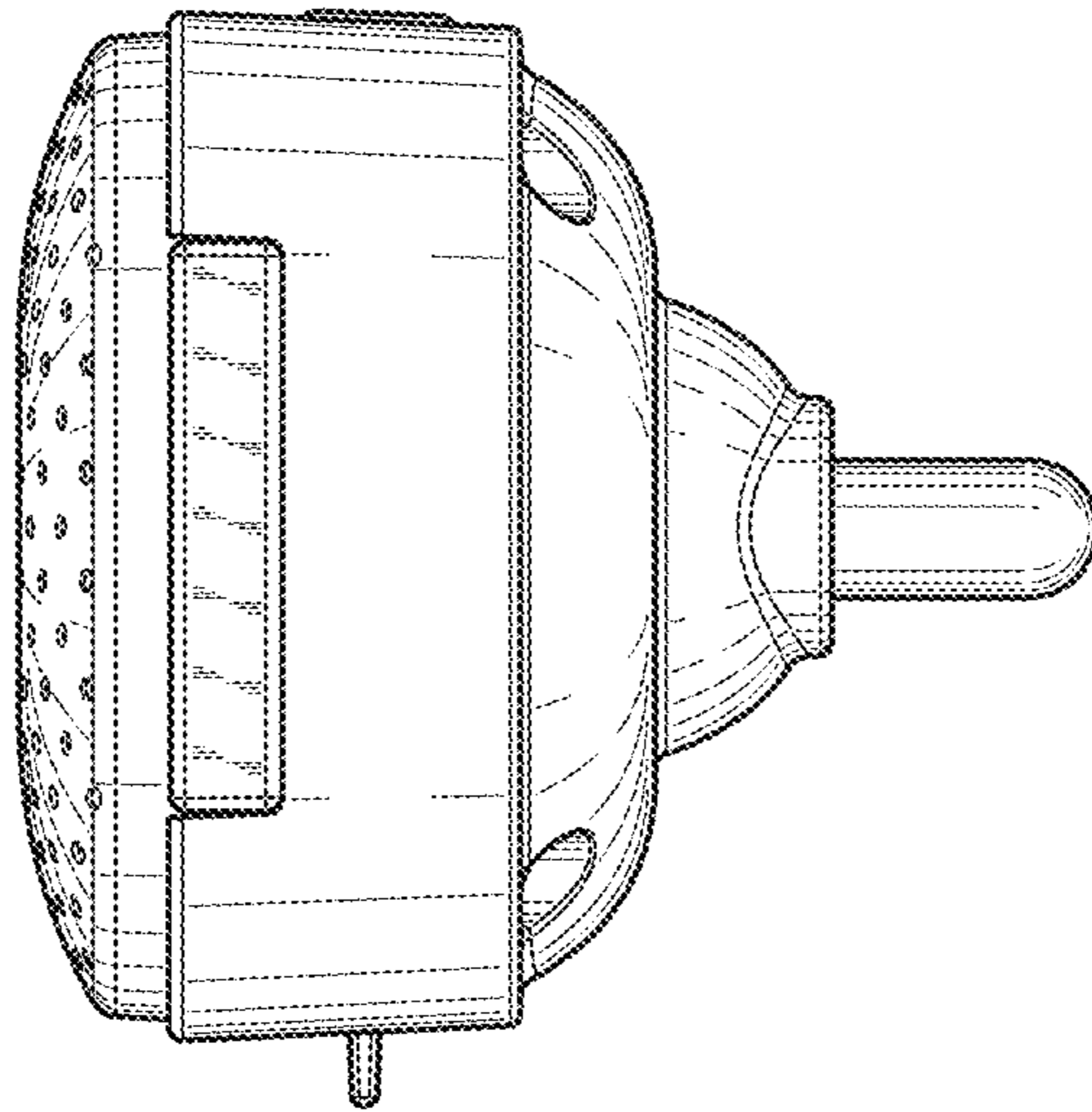


Fig. 6

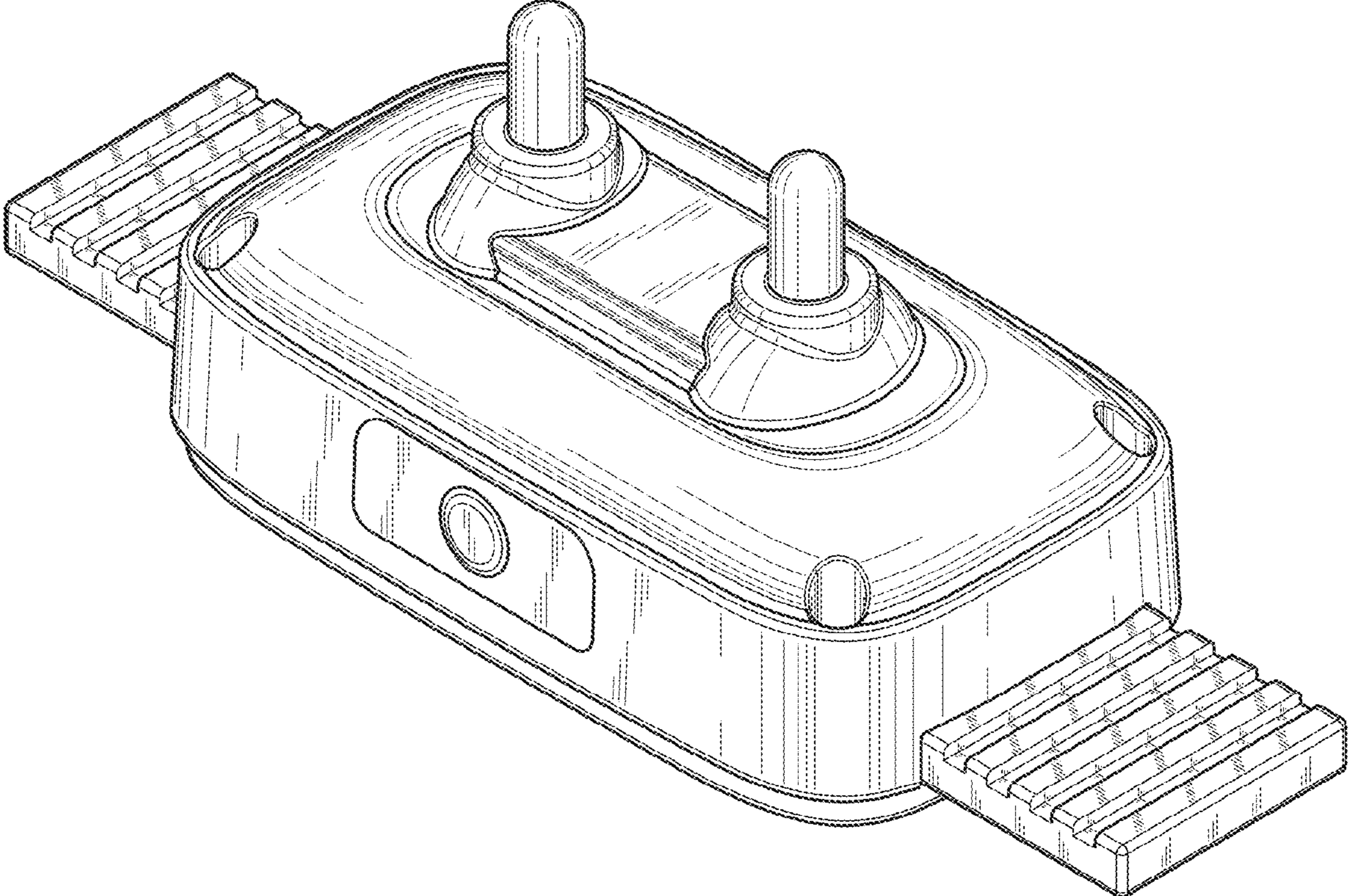


Fig. 7