



US00D977762S

(12) **United States Design Patent** (10) **Patent No.:** **US D977,762 S**  
**Trottier et al.** (45) **Date of Patent:** **\*\* Feb. 7, 2023**

(54) **TILE FOR ANIMAL COMMUNICATIONS**

(71) Applicant: **CLEVERPET, INC**, San Diego, CA (US)

(72) Inventors: **Leo Trottier**, San Diego, CA (US);  
**Jelmer Tiete**, Alameda, CA (US)

(\*\*) Term: **15 Years**

(21) Appl. No.: **29/741,629**

(22) Filed: **Jul. 14, 2020**

(51) **LOC (14) Cl.** ..... **30-99**

(52) **U.S. Cl.**  
USPC ..... **D30/199**

(58) **Field of Classification Search**  
USPC ..... D30/121, 129, 130, 131, 132, 133, 160,  
D30/199; 119/702, 707, 709, 712, 718,  
119/719, 174; D21/478, 479, 480  
CPC ..... A01K 15/027; A01K 15/025; A01K 5/02;  
A01K 5/0114; A01K 11/006; A01K  
5/025; A01K 5/0291; A01K 5/0142;  
A01K 7/02; A01K 15/021; A01K 5/0208;  
A01K 5/0225; A01K 5/0233; A01K  
5/0275

See application file for complete search history.

(56) **References Cited**

**U.S. PATENT DOCUMENTS**

D263,483 S *	3/1982	Chen	273/294
D489,162 S *	5/2004	Dings-Plooij	D1/121
D543,764 S *	6/2007	Thrush	B32B 3/06
			D6/582
D552,909 S *	10/2007	McGrath	D6/582
D575,092 S *	8/2008	Hillson	D6/582
D614,899 S *	5/2010	Lai	D6/582
D618,942 S *	7/2010	Lin	D6/582
D634,029 S *	3/2011	Jianzhong	D25/138
D648,166 S *	11/2011	Lu	D6/582
D654,748 S *	2/2012	Lu	D6/582

D771,751 S *	11/2016	Moscatelli	D21/386
D772,344 S *	11/2016	Moscatelli	D21/386
D795,352 S *	8/2017	Moscatelli	D21/386
D802,680 S *	11/2017	Moscatelli	D21/386
D810,465 S *	2/2018	Wah	D6/592
D840,481 S *	2/2019	Pryce	D21/686
D847,280 S *	4/2019	Pryce	D21/686
10,575,498 B2 *	3/2020	Roetheli	A23K 50/42
D887,172 S *	6/2020	Brueckner	D6/588
D927,222 S *	8/2021	Kao	D6/582
D934,452 S *	10/2021	Jones	D25/138
2021/0337767 A1 *	11/2021	Trottier	G09B 21/006

(Continued)

**OTHER PUBLICATIONS**

“FluentPet” available Feb. 23, 2021, [online], [site visited Jan. 14, 2022]. Retrieved from Internet, URL:https://www.facebook.com/FluentPet/videos/qa-with-leo-trottier/481866619523242/ (Year: 2021).\*

(Continued)

*Primary Examiner* — Katrina N Gonzalez  
(74) *Attorney, Agent, or Firm* — Sherrie Flynn; Coleman & Horowitz LLP

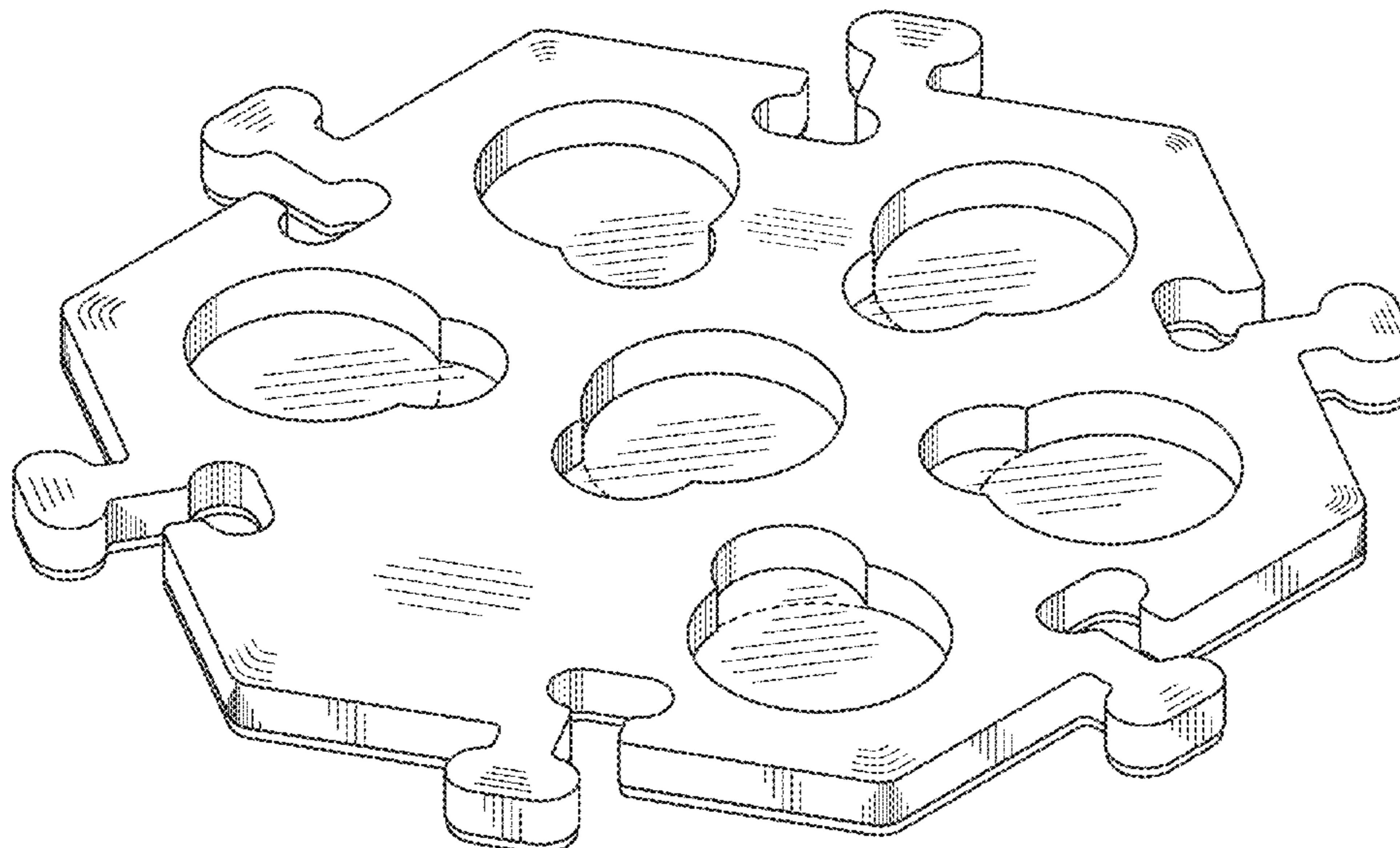
(57) **CLAIM**

The ornamental design for a tile for animal communications, as shown and described.

**DESCRIPTION**

FIG. 1 is a perspective view of a tile for animal communications according to the design.  
FIG. 2 is a top view of the tile of FIG. 1.  
FIG. 3 is a front elevation view of the tile of FIG. 1.  
FIG. 4 is a left side elevation view of the tile of FIG. 1.  
FIG. 5 is a right side elevation view of the tile of FIG. 1.  
FIG. 6 is a rear elevation view of the tile of FIG. 1; and  
FIG. 7 is a bottom view of the tile of FIG. 1.  
The broken lines illustrate environmental structure that form no part of the claimed design.

**1 Claim, 7 Drawing Sheets**



(56)

**References Cited**

U.S. PATENT DOCUMENTS

2022/0000067 A1\* 1/2022 Sapp, Jr. .... A01K 5/0114

OTHER PUBLICATIONS

“FluentPet fb photo” available May 27, 2020, [online], [site visited Jan. 14, 2022]. Retrieved from Internet, URL:file:///C:/Users/kgonzalez/Documents/e-Red%20Folder/29743195/FluentPet%20fb%20photo.pdf (Year: 2020).\*

“Getting started and teaching ‘outside’” (via YouTube), available Aug. 31, 2020, [online], [site visited Jan. 14, 2022]. Retrieved from Internet, URL:https://www.youtube.com/watch?v=Q6YXUSMOUm4 (Year: 2020).\*

“Meitoku Baby EVA Foam Puzzle Play Mat” available Jun. 3, 2019, [online], [site visited Jan. 14, 2022]. Retrieved from Internet, URL:https://www.aliexpress.com/i/32970871822.html (Year: 2019).\*

“FluentPet Large Cross-Compatible HexTile” available Oct. 13, 2021, [online], [site visited Jan. 14, 2022]. Retrieved from Internet, URL:https://www.amazon.com/FluentPet-Large-Cross-Compatible-HexTile-Compatible/dp/B09J3WVM46/ref=sr\_1\_2 (Year: 2021).\*

\* cited by examiner

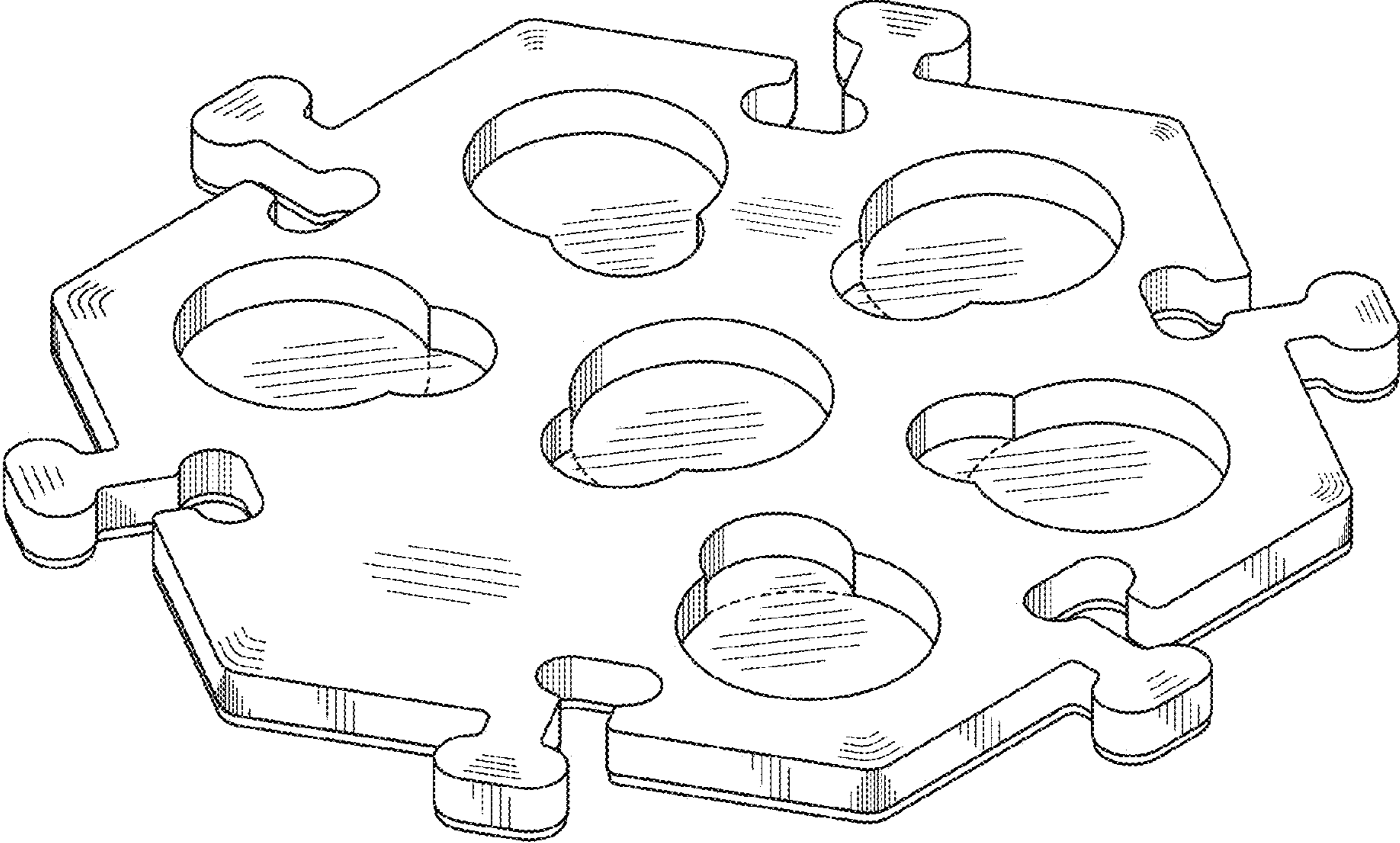


FIG. 1

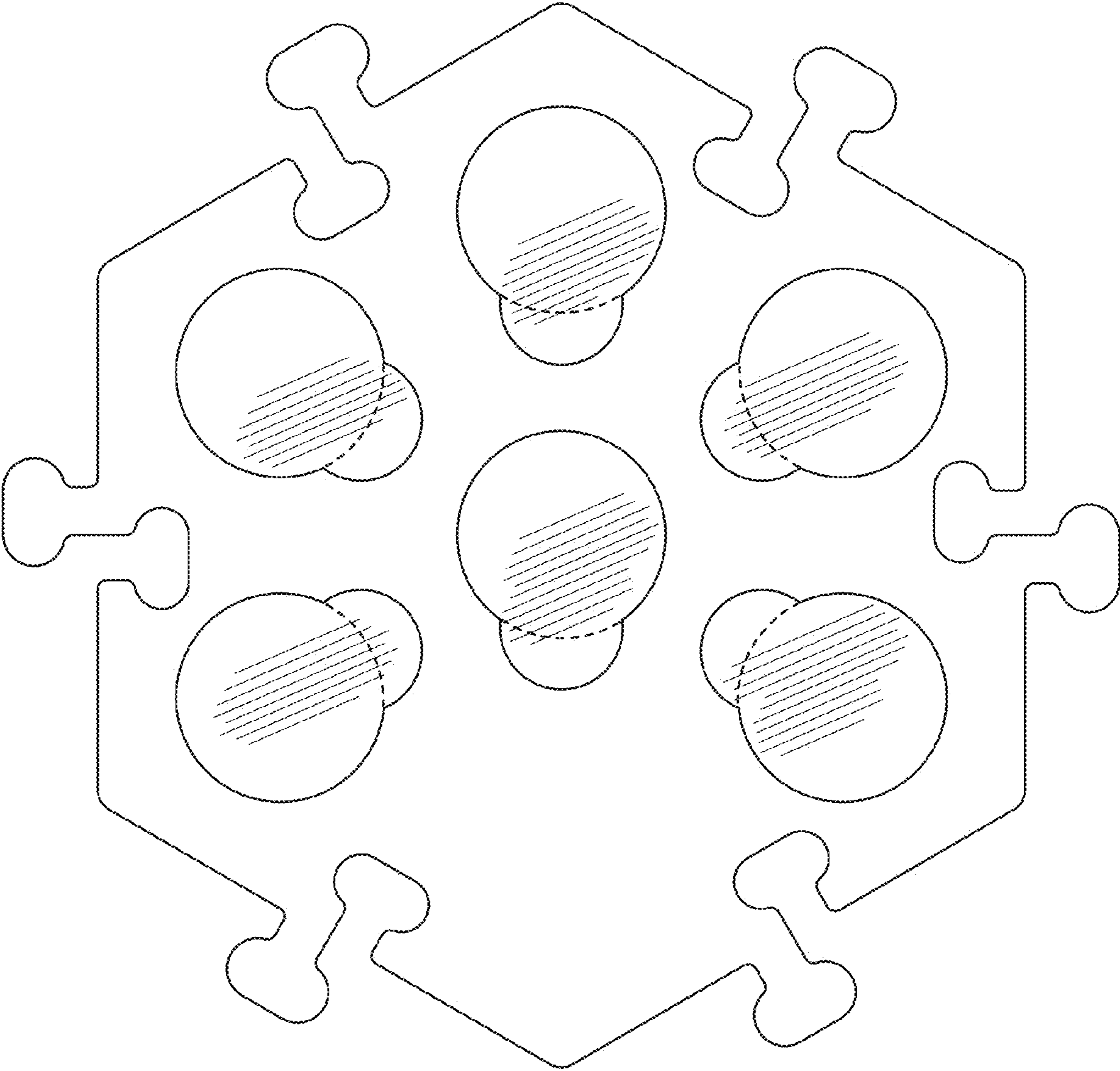


FIG. 2



FIG. 3



FIG. 4



FIG. 5



FIG. 6



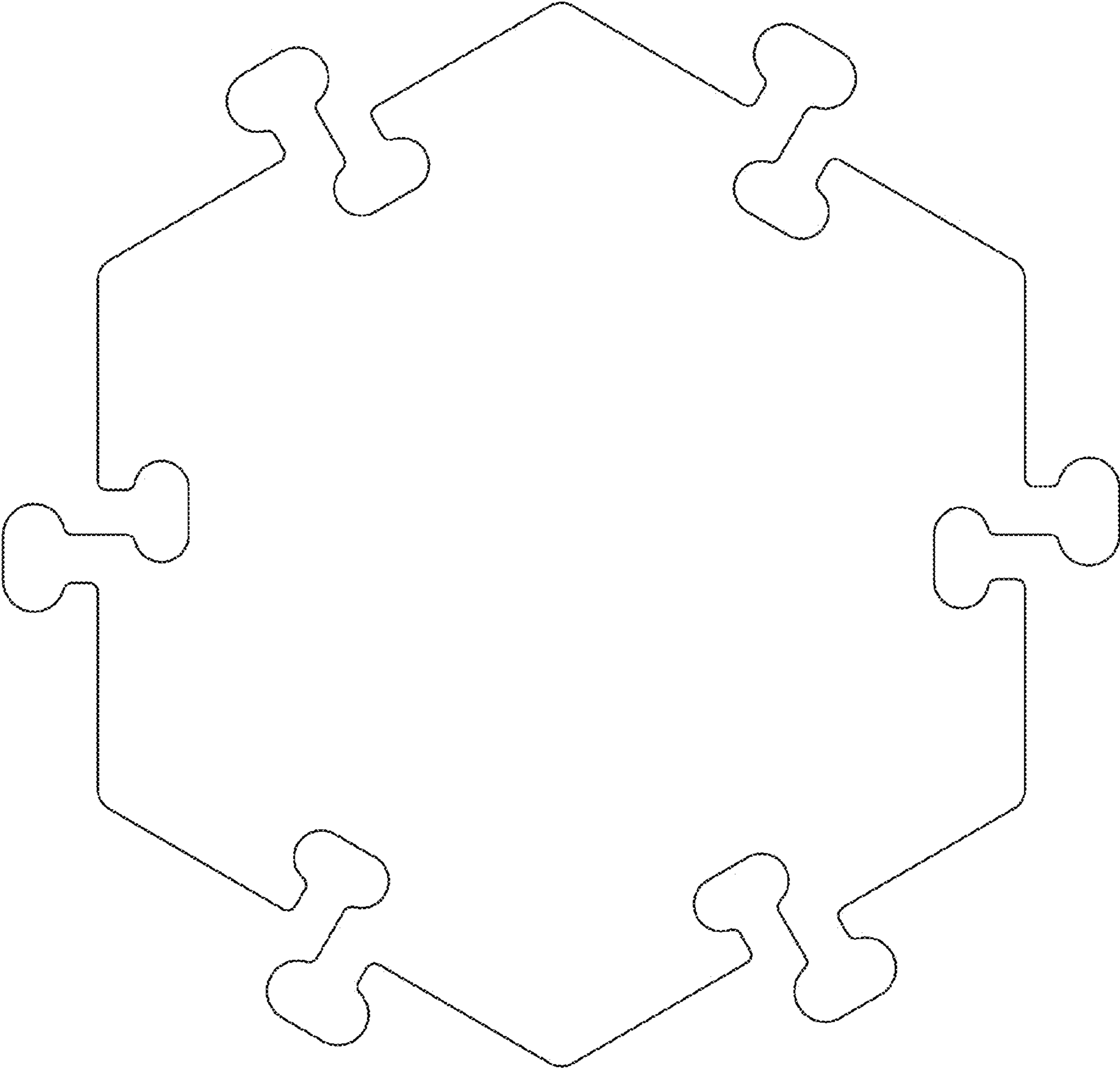


FIG. 7