



US00D977761S

(12) **United States Design Patent** (10) **Patent No.:** **US D977,761 S**
Hu (45) **Date of Patent:** **** Feb. 7, 2023**

(54) **CAT TREE**

(71) Applicant: **BAJIUYI NETWORK TECHNOLOGY (SUZHOU) CO., LTD.**, Suzhou (CN)

(72) Inventor: **Jingwen Hu**, Hegang (CN)

(73) Assignee: **BAJIUYI NETWORK TECHNOLOGY (SUZHOU) CO., LTD.**, Suzhou (CN)

(**) Term: **15 Years**

(21) Appl. No.: **29/801,444**

(22) Filed: **Jul. 28, 2021**

(51) **LOC (14) Cl.** **30-99**

(52) **U.S. Cl.**
USPC **D30/160**

(58) **Field of Classification Search**
USPC D30/158, 160, 199; 119/702, 706
CPC A01K 15/027; A01K 15/024
See application file for complete search history.

(56) **References Cited**

U.S. PATENT DOCUMENTS

D422,754 S *	4/2000	Kolozsvari	D30/118
8,020,518 B1 *	9/2011	Reinke	A01K 15/025
				119/482
D883,585 S *	5/2020	Song	D30/160
D883,586 S *	5/2020	Song	D30/160
D884,991 S *	5/2020	Song	D30/160
D885,691 S	5/2020	Song		
D885,692 S	5/2020	Ye		
D886,398 S *	6/2020	Song	D30/160
D891,712 S *	7/2020	He	D30/160
D920,599 S *	5/2021	Guo	D30/160

D920,600 S *	5/2021	Guo	D30/160
D928,427 S *	8/2021	Guo	D30/160
D928,428 S *	8/2021	Guo	D30/160
D930,290 S *	9/2021	He	D30/161
D941,535 S *	1/2022	Guo	D30/160
2016/0360729 A1 *	12/2016	Shi	A01K 15/024

OTHER PUBLICATIONS

“MWPO Multi-Level Cat Tree” available Sep. 30, 2020, [online], [site visited Jun. 4, 2022]. Retrieved from Internet, URL:https://www.amazon.com/MWPO-Multi-Level-Sisal-Covered-Scratching-House-Light/dp/B08KFVT63X/ref=sxin_14_pa_sp_search_thematic_sspa (Year: 2020).*

* cited by examiner

Primary Examiner — Katrina N Gonzalez

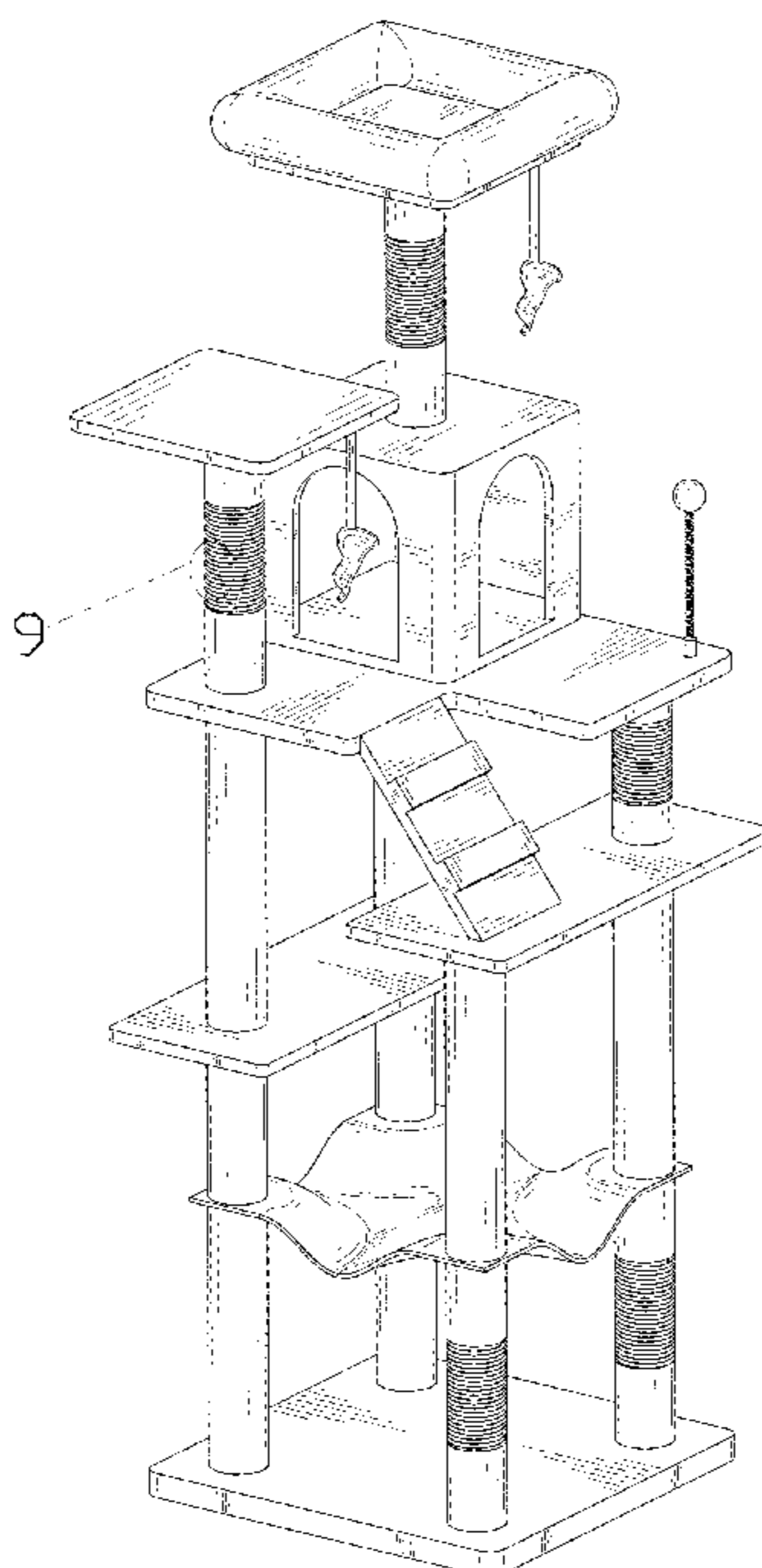
(57) **CLAIM**

The ornamental design for a cat tree, as shown and described.

DESCRIPTION

FIG. 1 is a perspective view of a cat tree showing my new design;
FIG. 2 is another perspective view thereof;
FIG. 3 is a front elevational view thereof;
FIG. 4 is a rear elevational view thereof;
FIG. 5 is a left side elevational view thereof;
FIG. 6 is a right side elevational view thereof;
FIG. 7 is a top plan view thereof;
FIG. 8 is a bottom plan view thereof; and,
FIG. 9 is an enlarged view of portion 9 shown in FIG. 1.

1 Claim, 9 Drawing Sheets



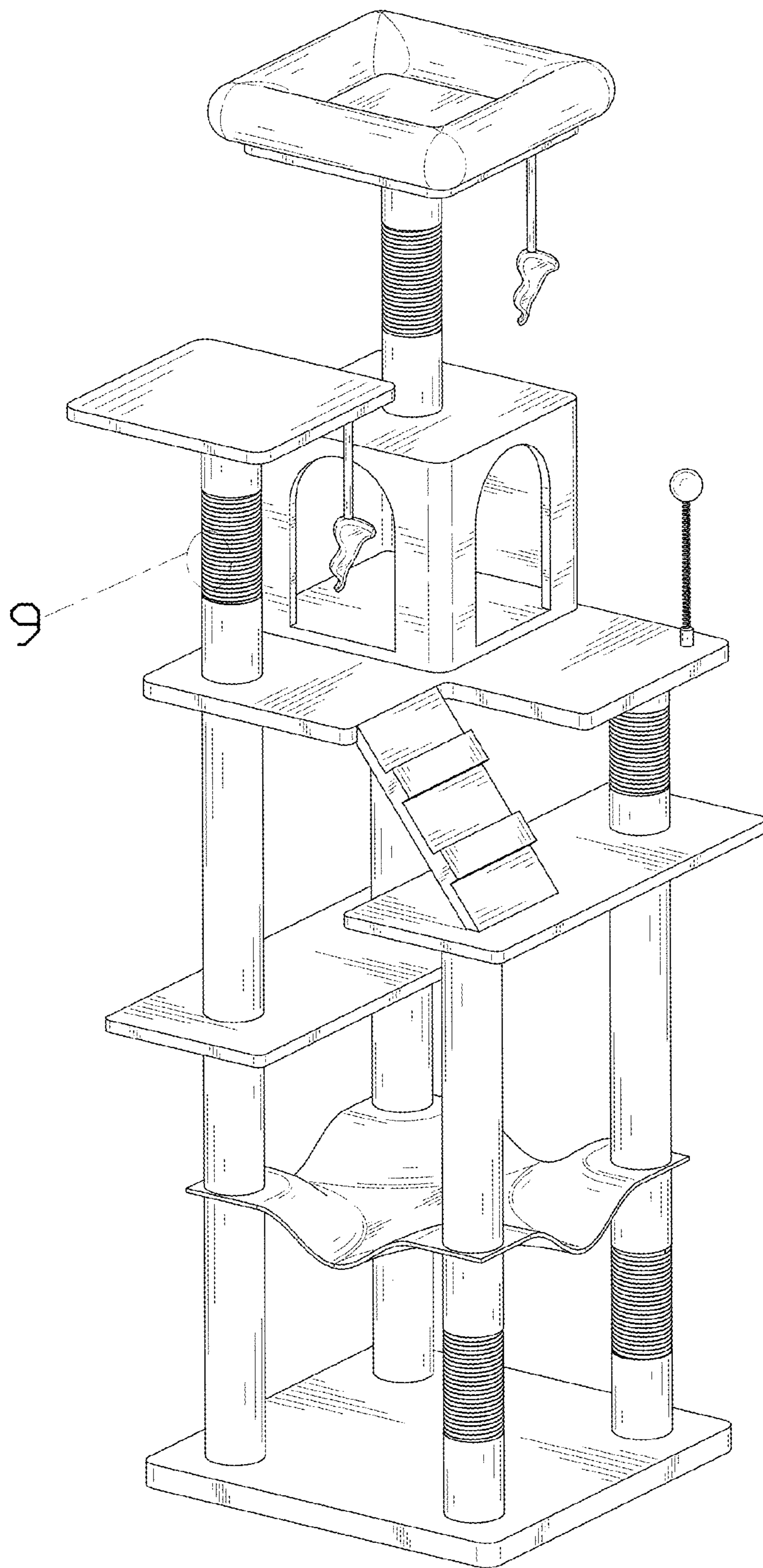


FIG. 1

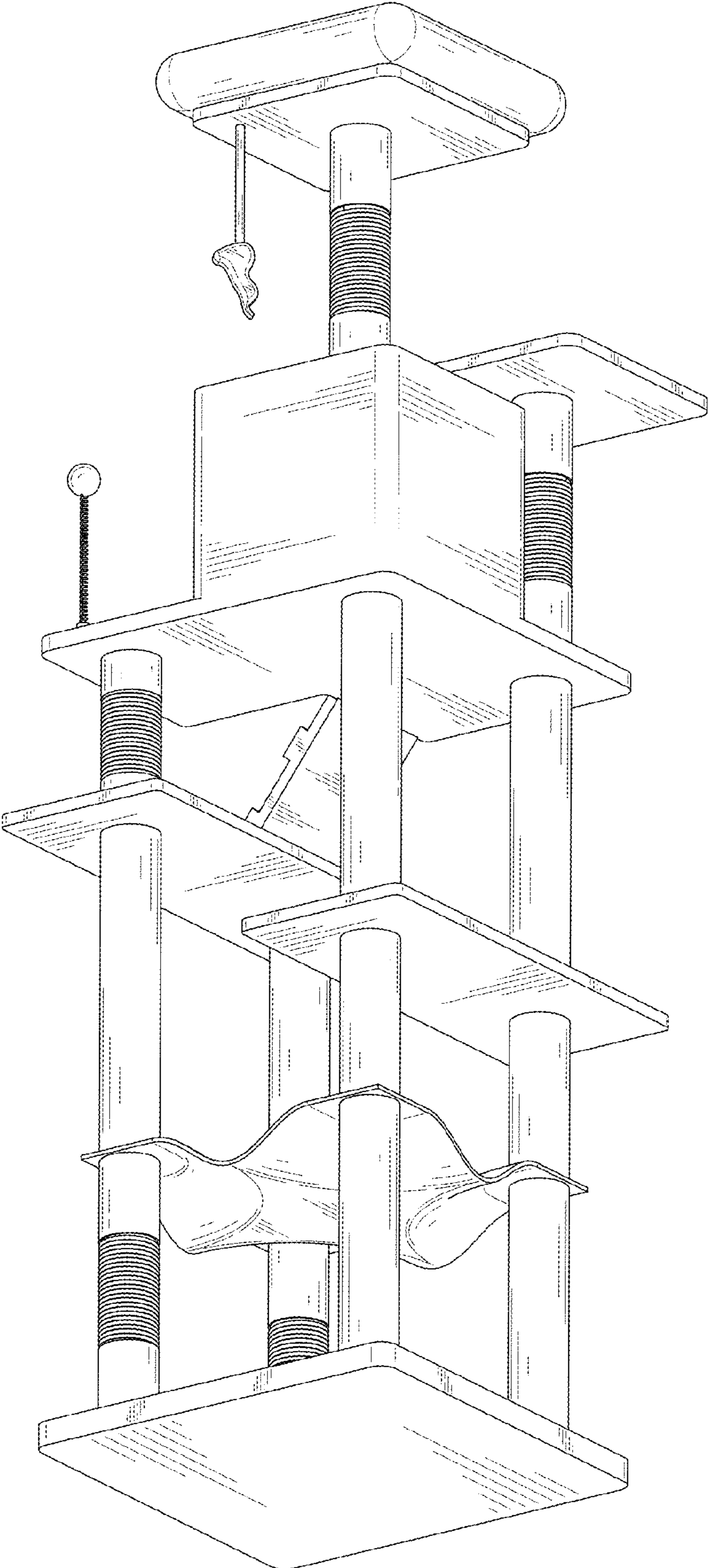


FIG. 2

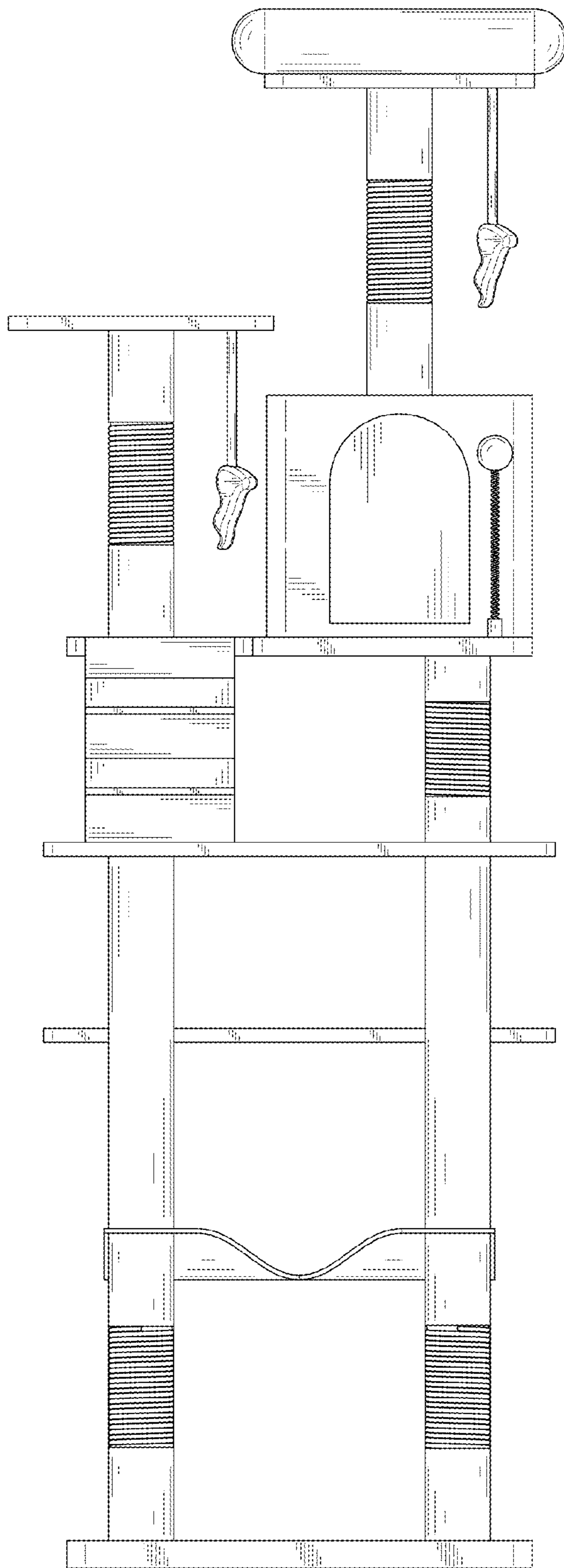


FIG. 3

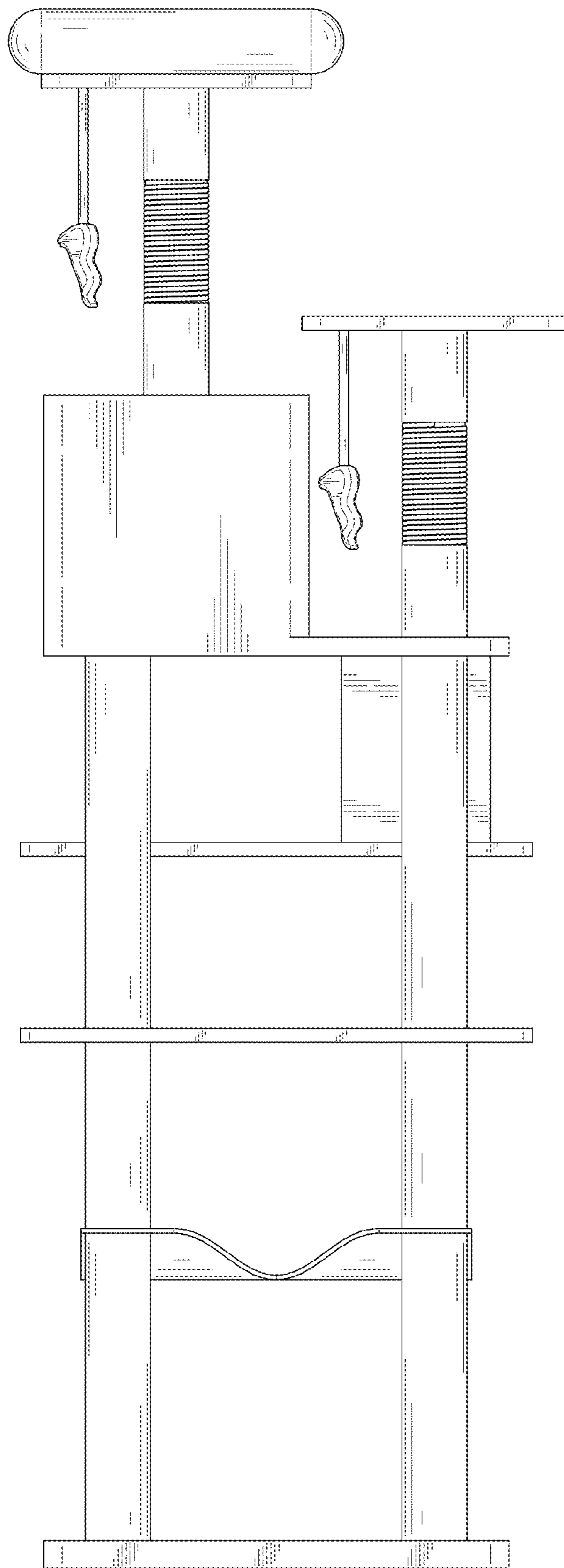


FIG. 4

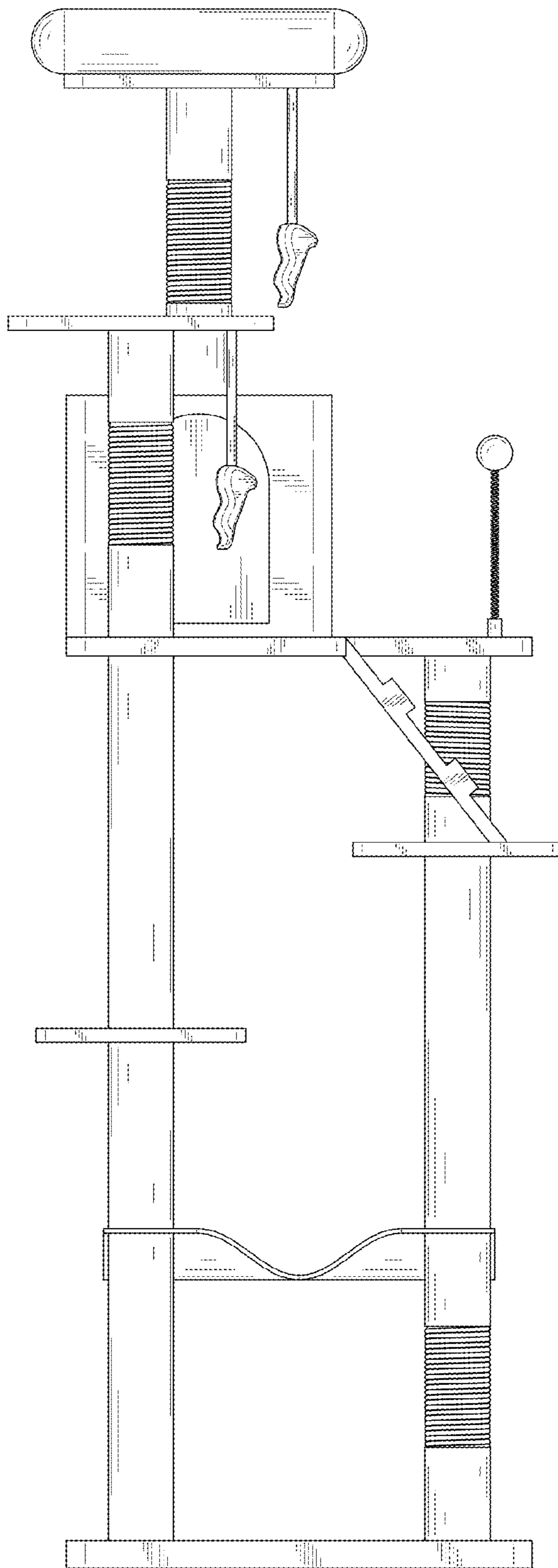


FIG. 5

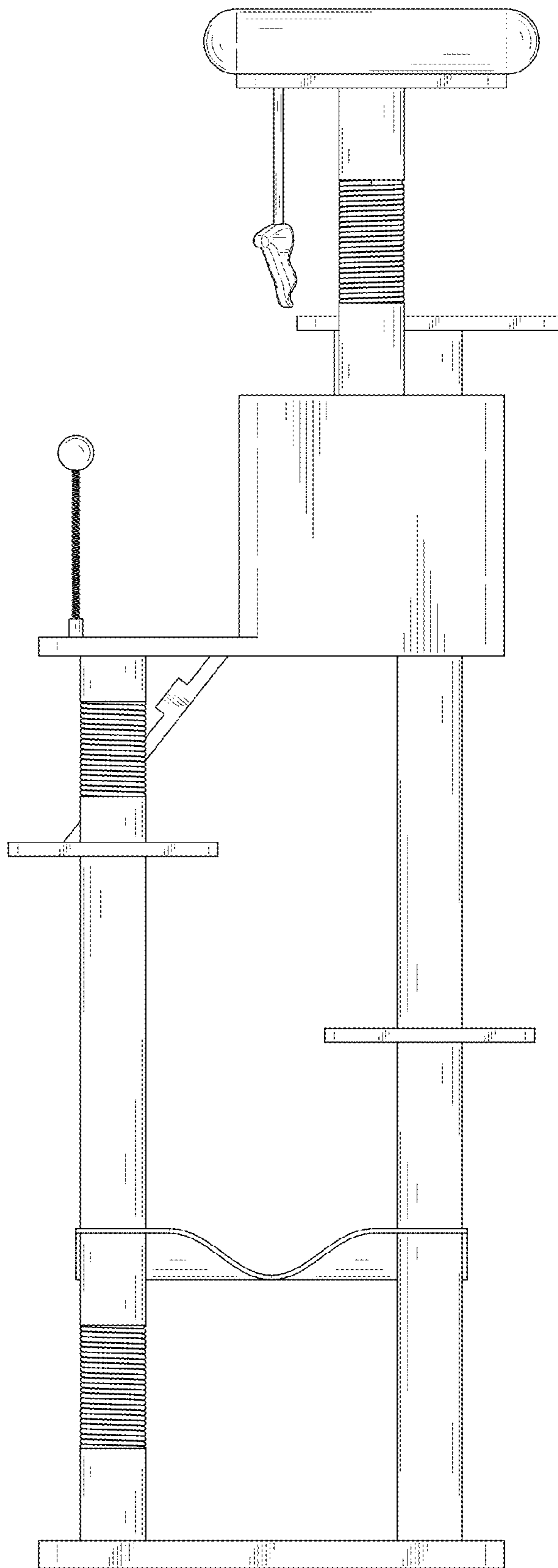


FIG. 6

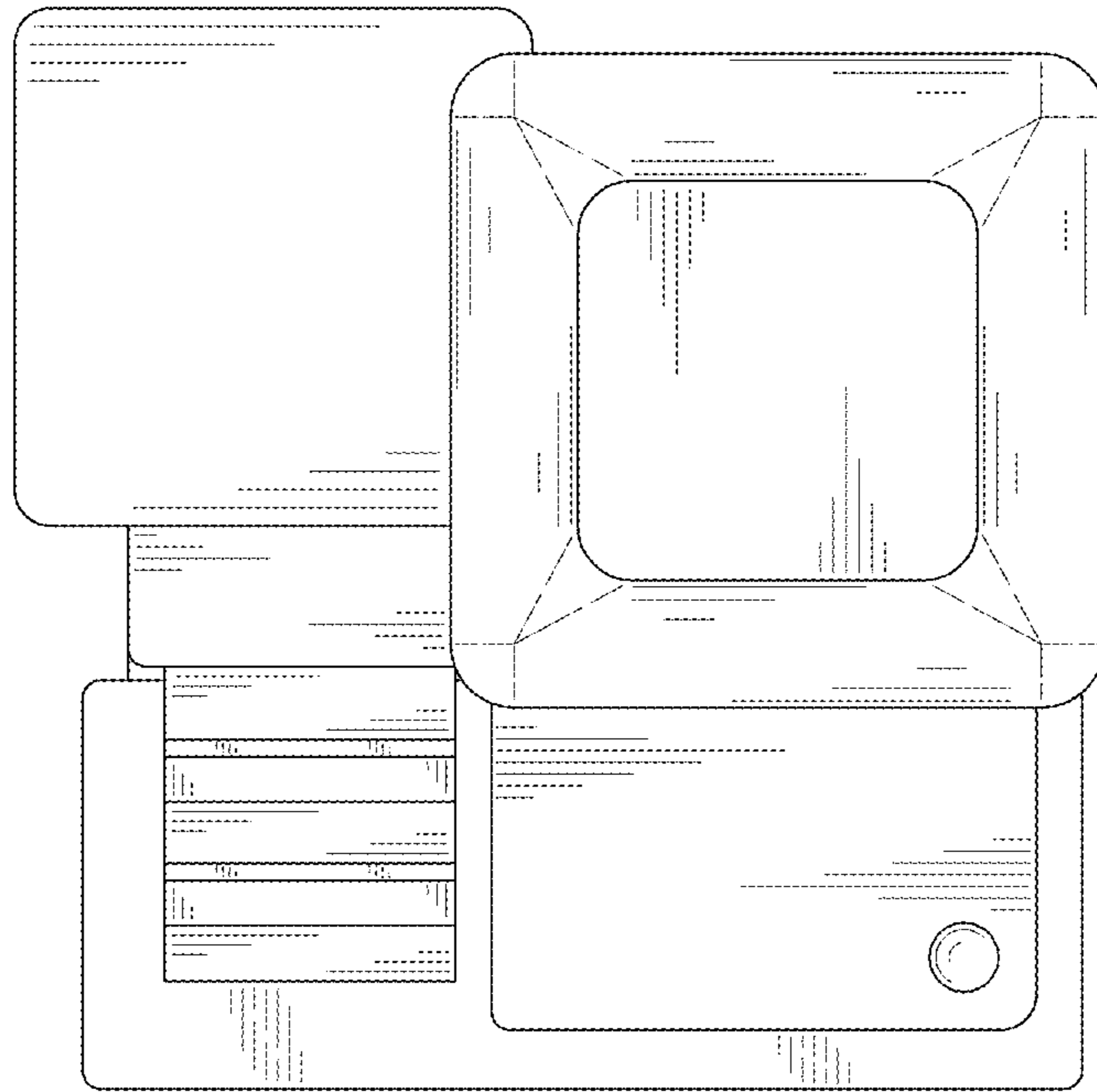


FIG. 7

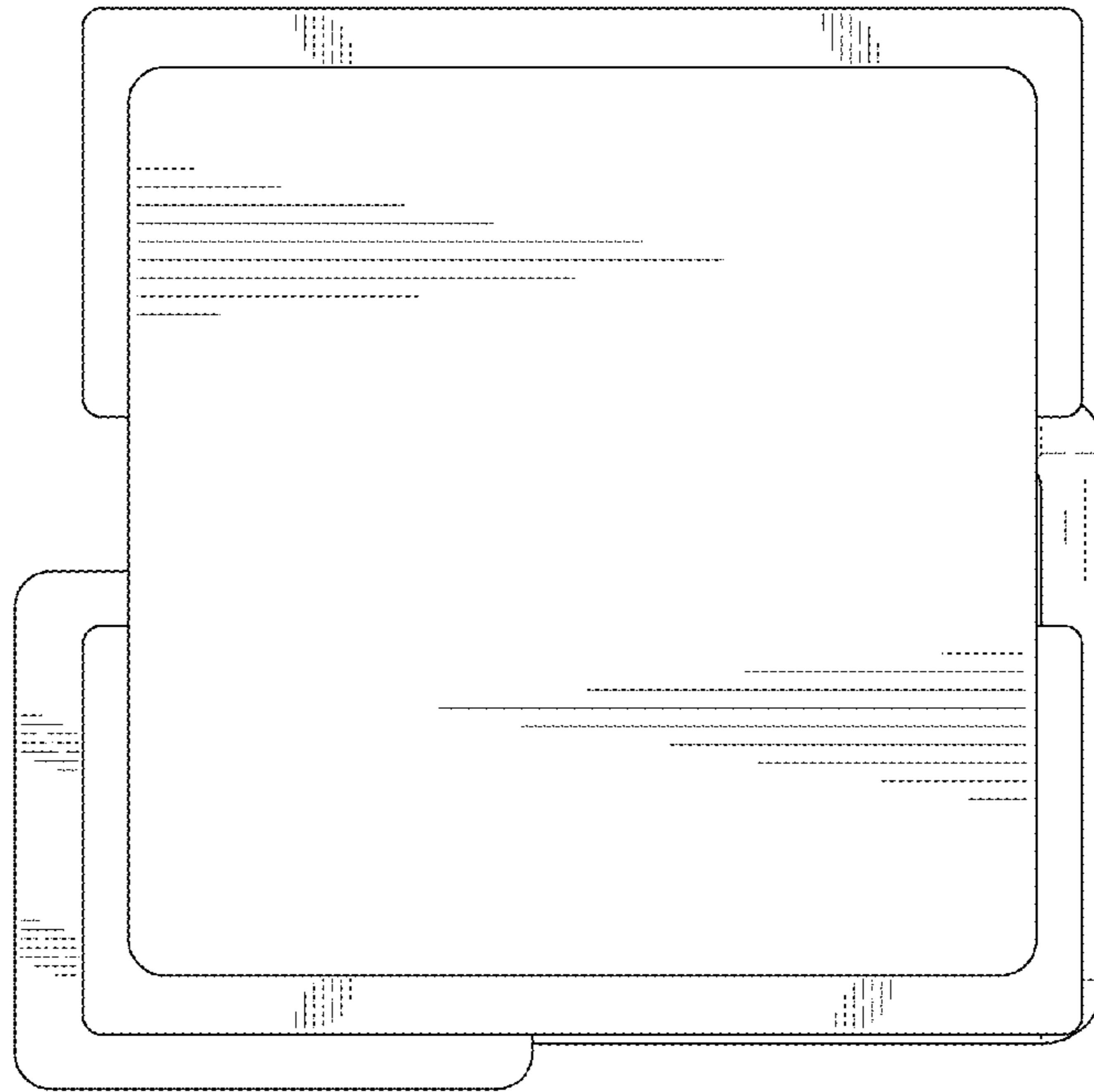


FIG. 8

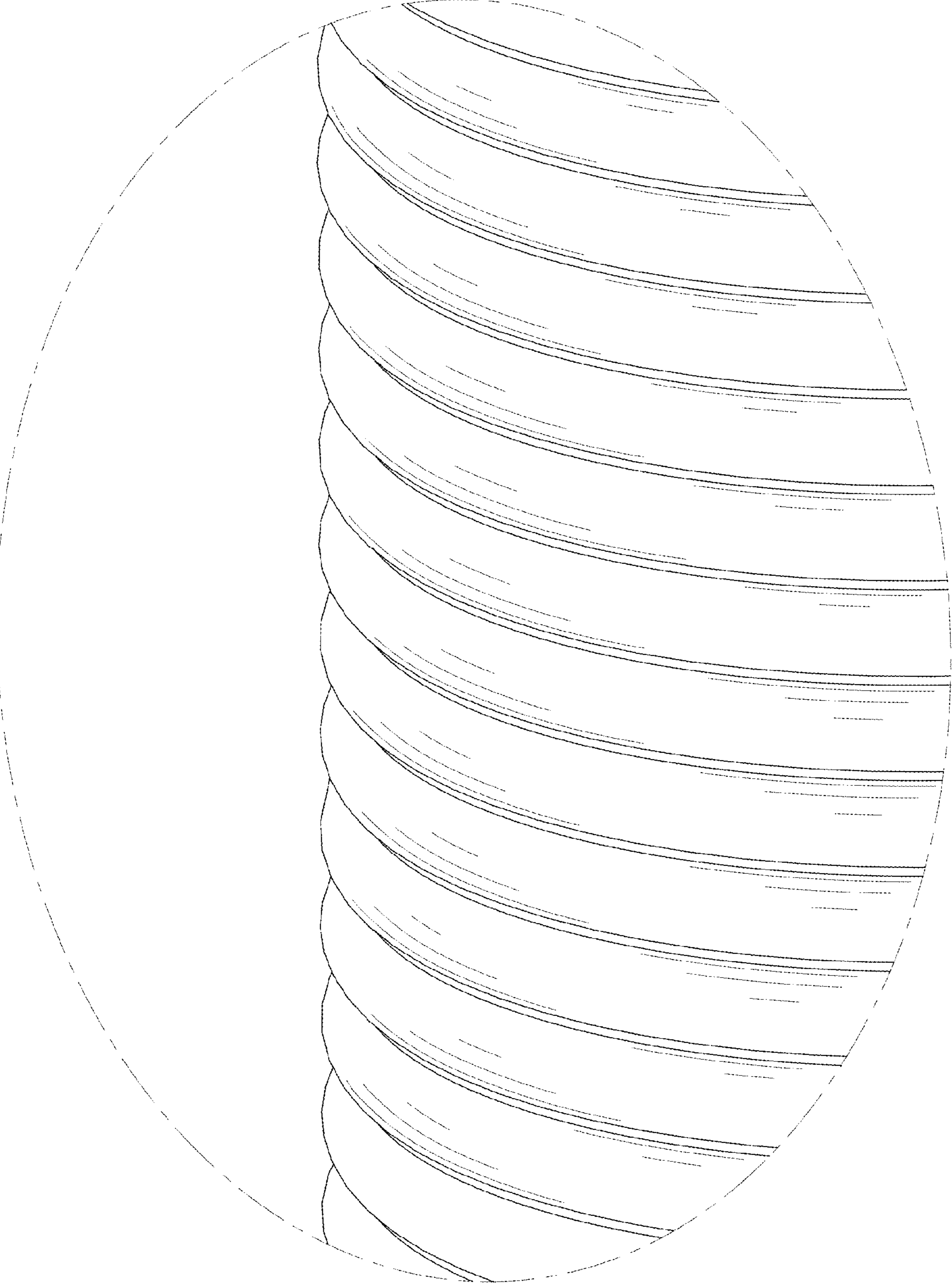


FIG. 9