



US00D977758S

(12) **United States Design Patent** (10) **Patent No.:** **US D977,758 S**
Guo (45) **Date of Patent:** **** Feb. 7, 2023**

(54) **CAT TREE TOWER**
(71) Applicant: **ZeShan Guo**, Zhejiang Province (CN)
(72) Inventor: **ZeShan Guo**, Zhejiang Province (CN)
(73) Assignee: **GLOBEGOU WZ CO., LTD.**,
Zhejiang (CN)

D920,599 S * 5/2021 Guo D30/160
D920,600 S * 5/2021 Guo D30/160
D928,427 S * 8/2021 Guo D30/160
D928,428 S * 8/2021 Guo D30/160
D930,290 S * 9/2021 He D30/161
D941,535 S * 1/2022 Guo D30/160
2016/0360729 A1* 12/2016 Shi A01K 15/024

(**) Term: **15 Years**
(21) Appl. No.: **29/786,689**
(22) Filed: **Jun. 2, 2021**
(51) **LOC (14) Cl.** **30-99**
(52) **U.S. Cl.**
USPC **D30/160**
(58) **Field of Classification Search**
USPC D30/158, 160, 199; 119/702, 705, 706,
119/707
CPC ... A01K 15/024; A01K 15/025; A01K 15/027
See application file for complete search history.

OTHER PUBLICATIONS

“Hey-brother Cat Tree” available Apr. 18, 2022, [online], [site visited Jun. 4, 2022]. Retrieved from Internet, URL:https://www.amazon.com/Hey-brother-Hammock-Scratching-Perches-Activity/dp/B09PQG6V77/ref=sr_1_53?th=1 (Year: 2022).*

* cited by examiner

Primary Examiner — Katrina N Gonzalez

(57) **CLAIM**

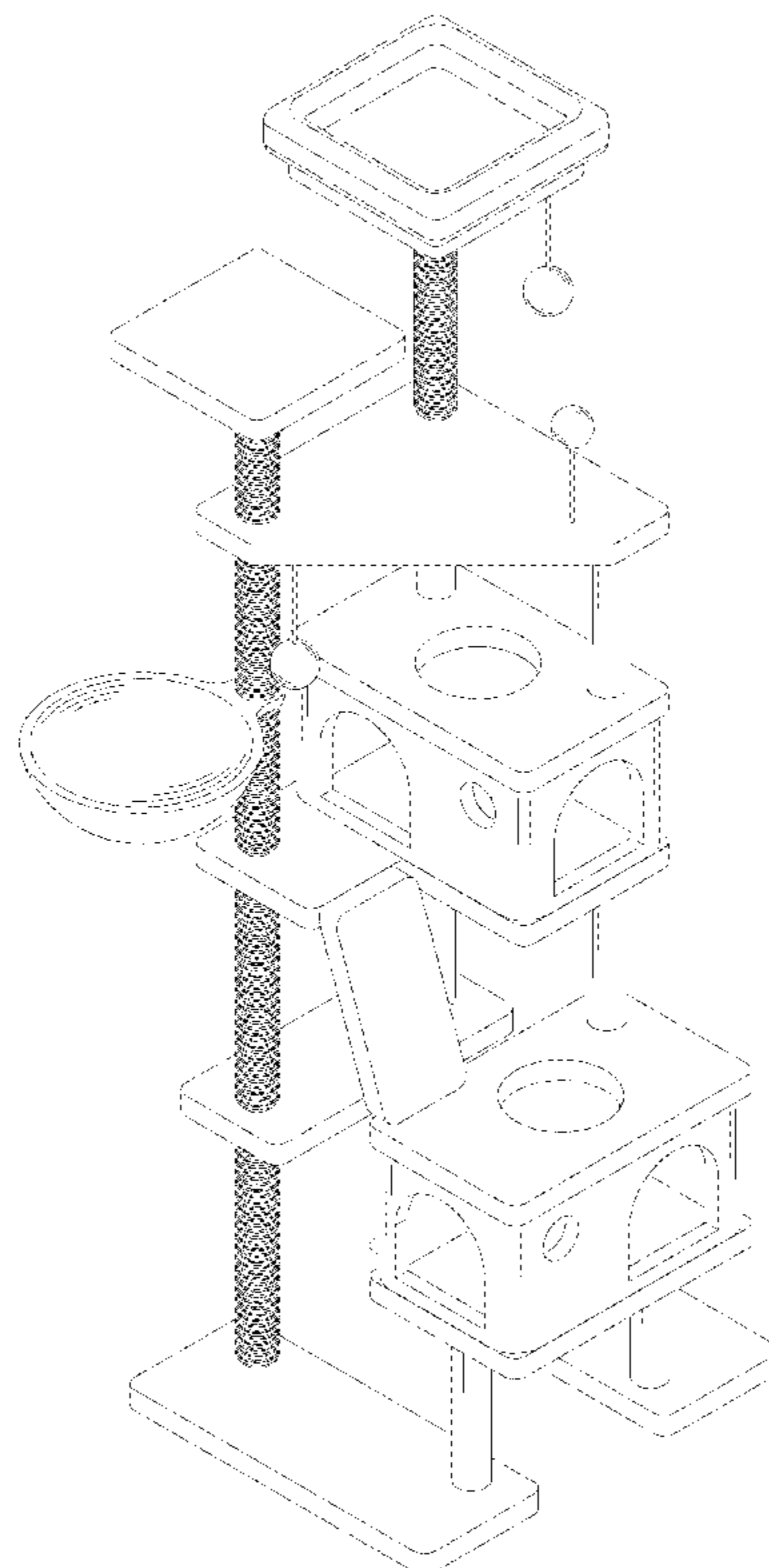
The ornamental design for a cat tree tower, as shown and described.

DESCRIPTION

FIG. 1 is a perspective view of a cat tree tower showing my new design;
FIG. 2 is a front elevation view thereof;
FIG. 3 is a top plan view thereof;
FIG. 4 is a left side elevation view thereof;
FIG. 5 is a rear elevation view thereof;
FIG. 6 is a right side elevation view thereof; and,
FIG. 7 is a bottom plan view thereof.

(56) **References Cited**
U.S. PATENT DOCUMENTS
8,020,518 B1 * 9/2011 Reinke A01K 15/025
119/482
D881,482 S 4/2020 Jayne et al.
D883,585 S 5/2020 Song
D883,586 S * 5/2020 Song D30/160
D884,991 S 5/2020 Song
D885,691 S 5/2020 Song
D886,398 S 6/2020 Song
D891,712 S 7/2020 He

1 Claim, 7 Drawing Sheets



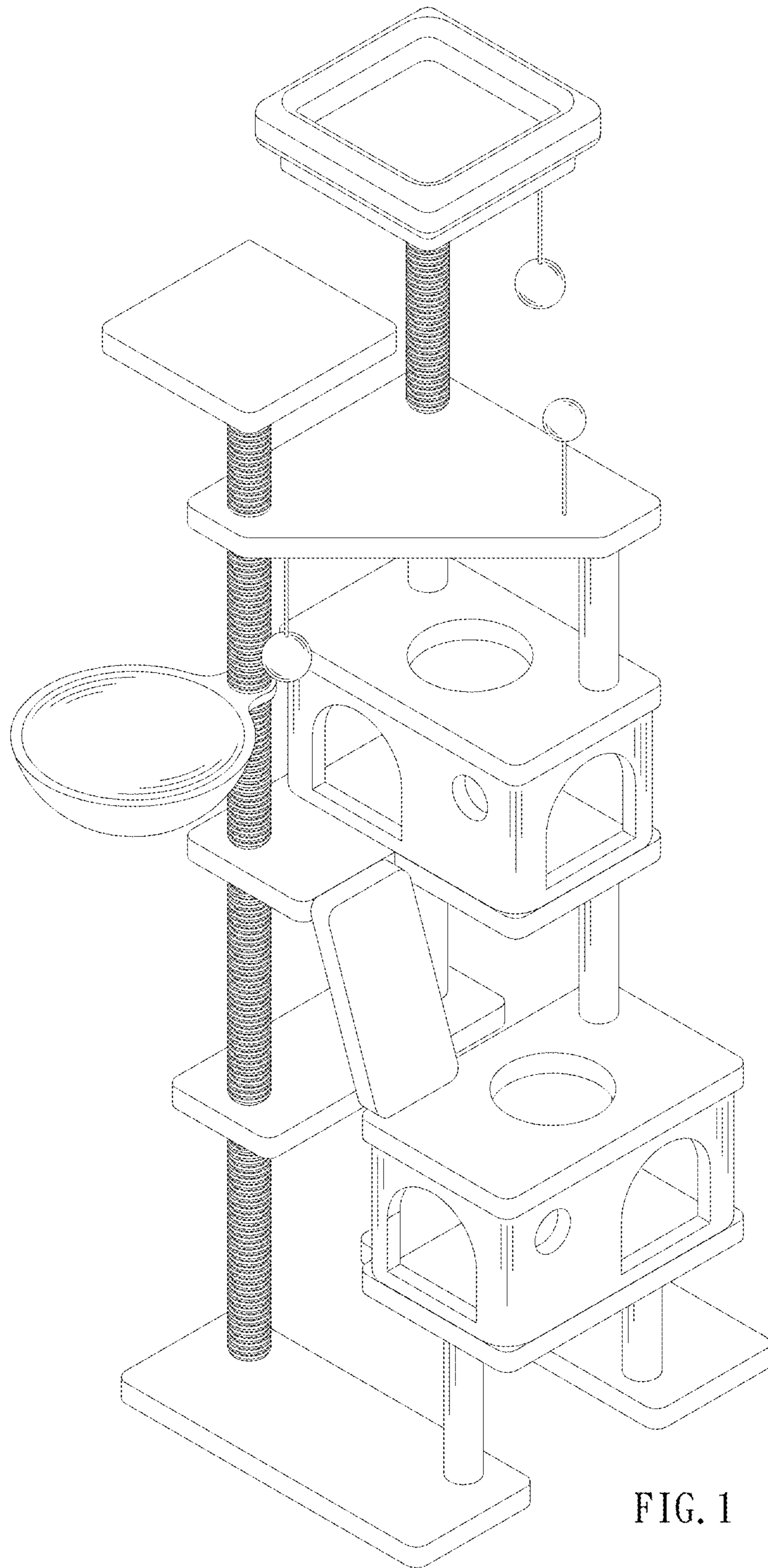


FIG. 1

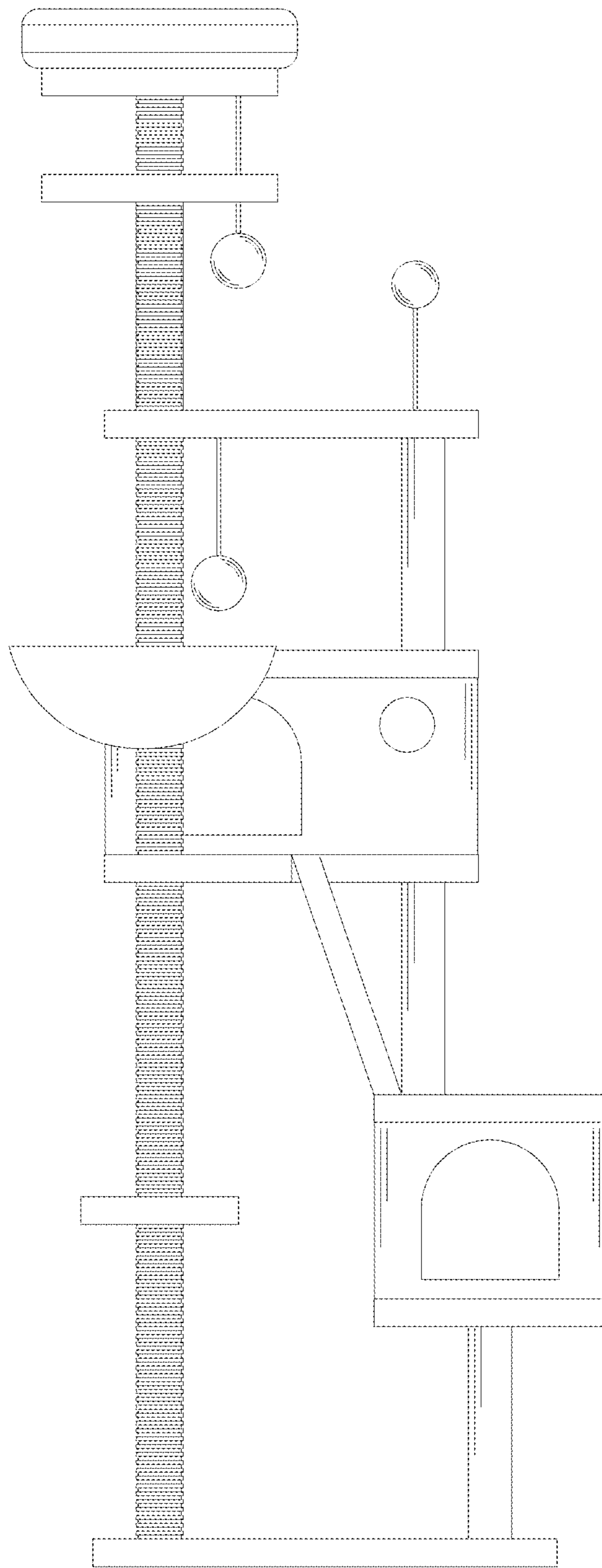


FIG. 2

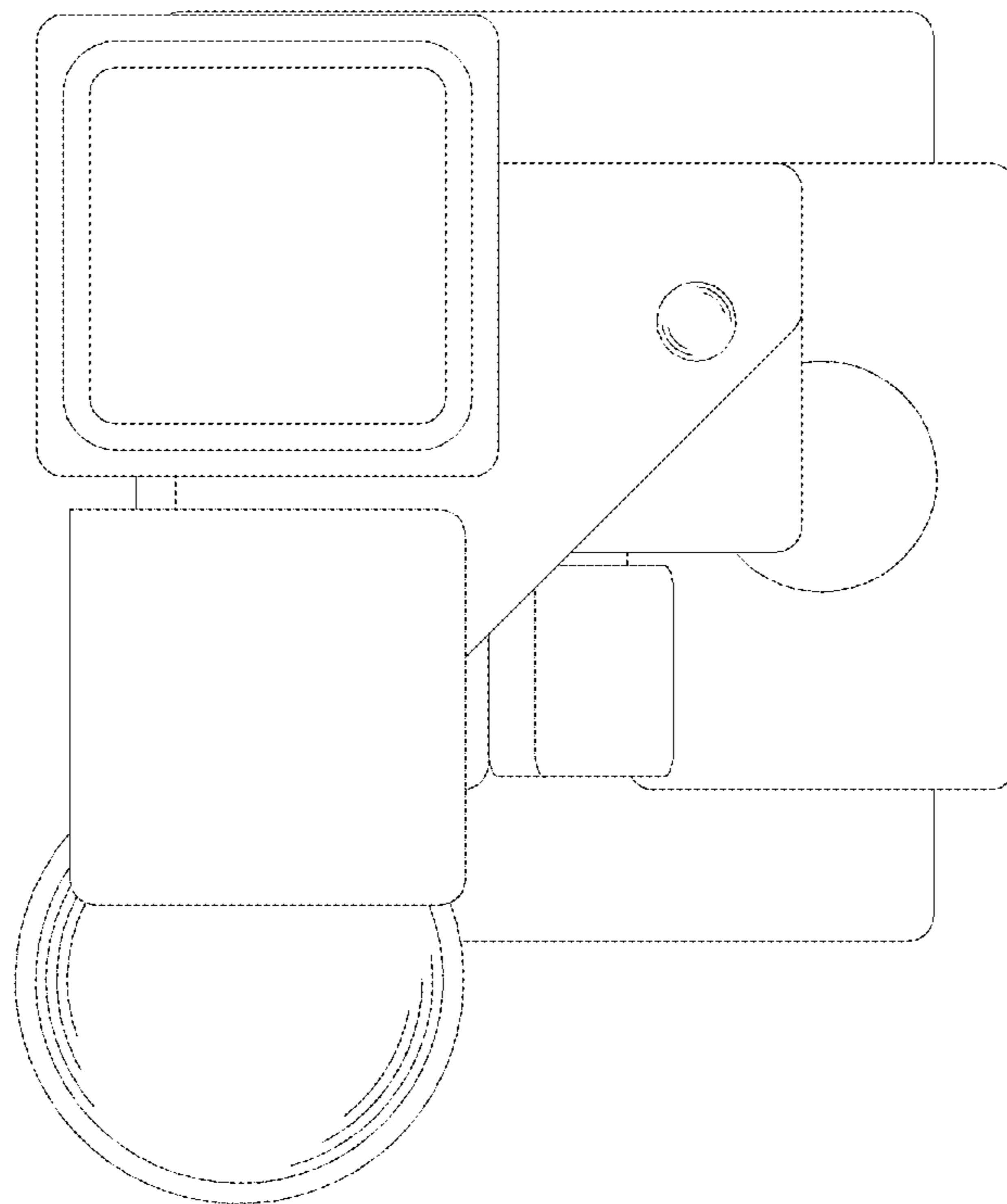


FIG. 3

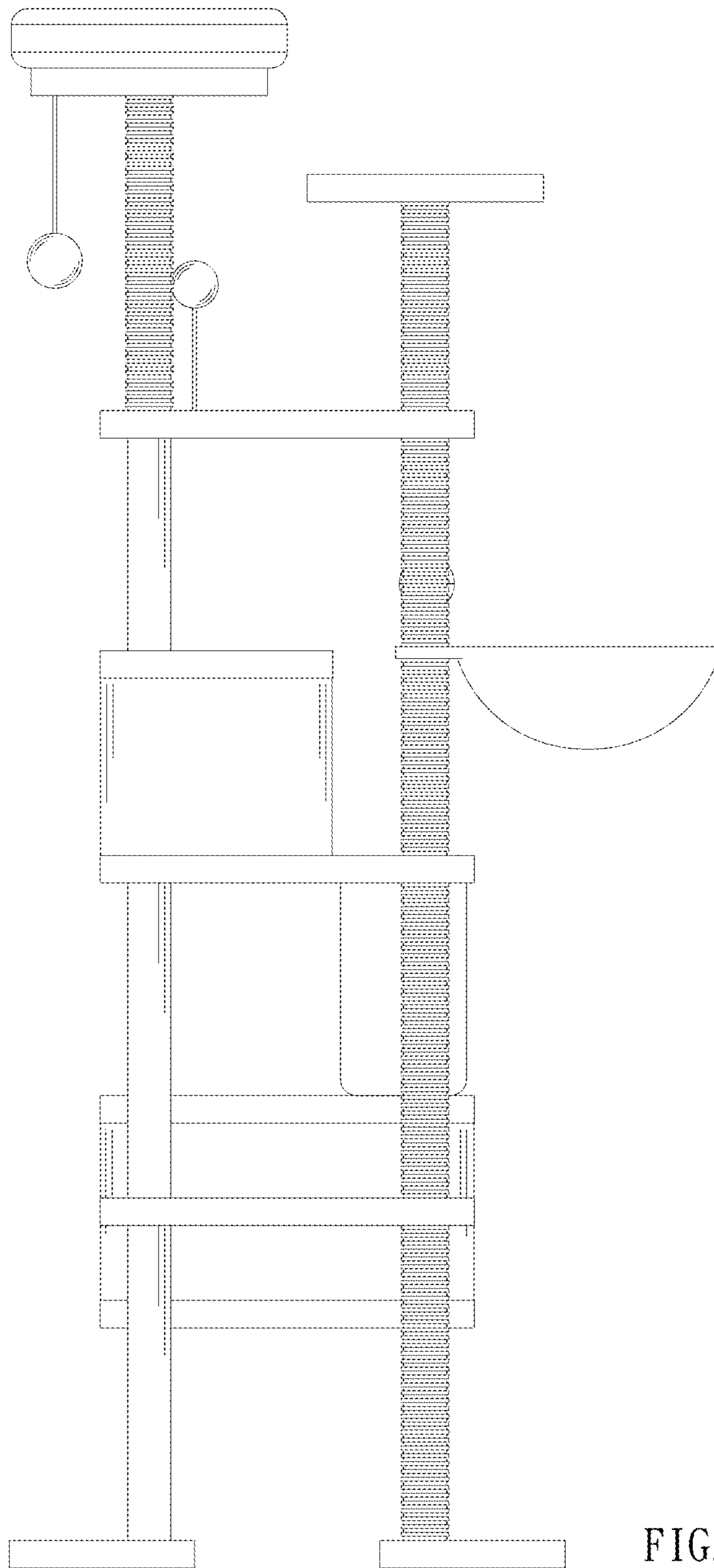


FIG. 4

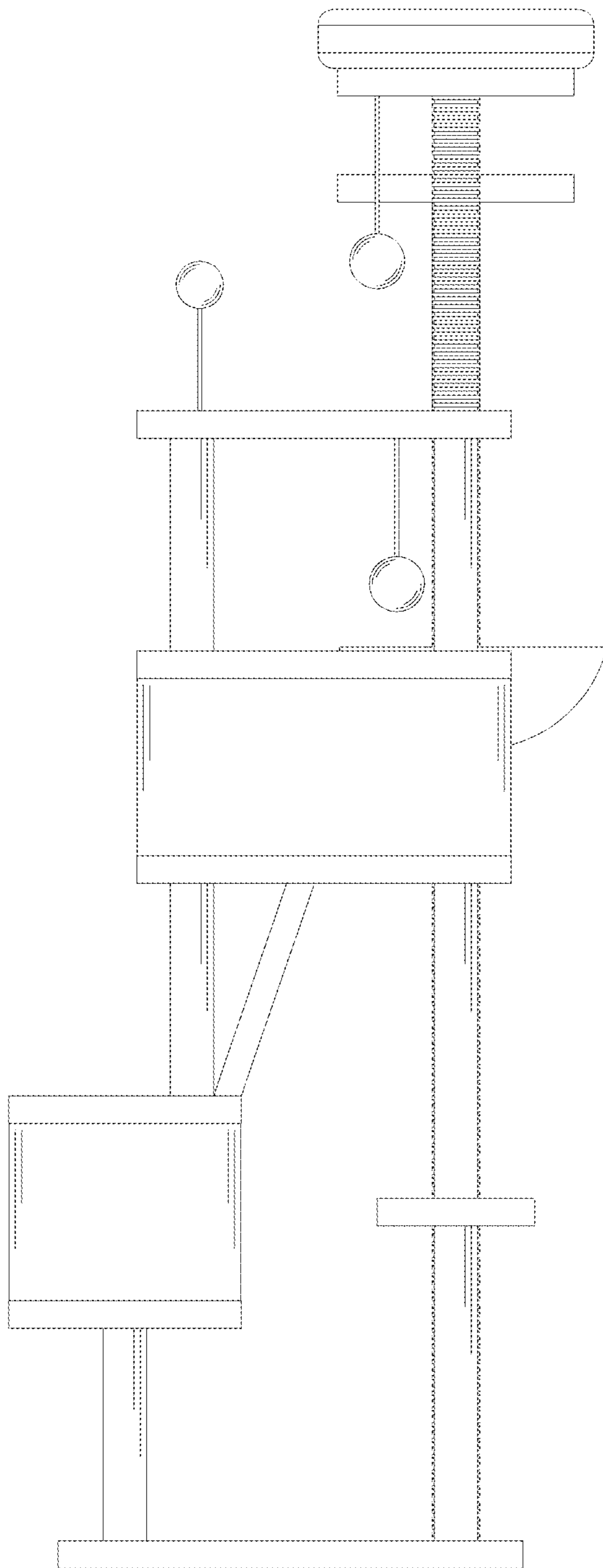


FIG. 5

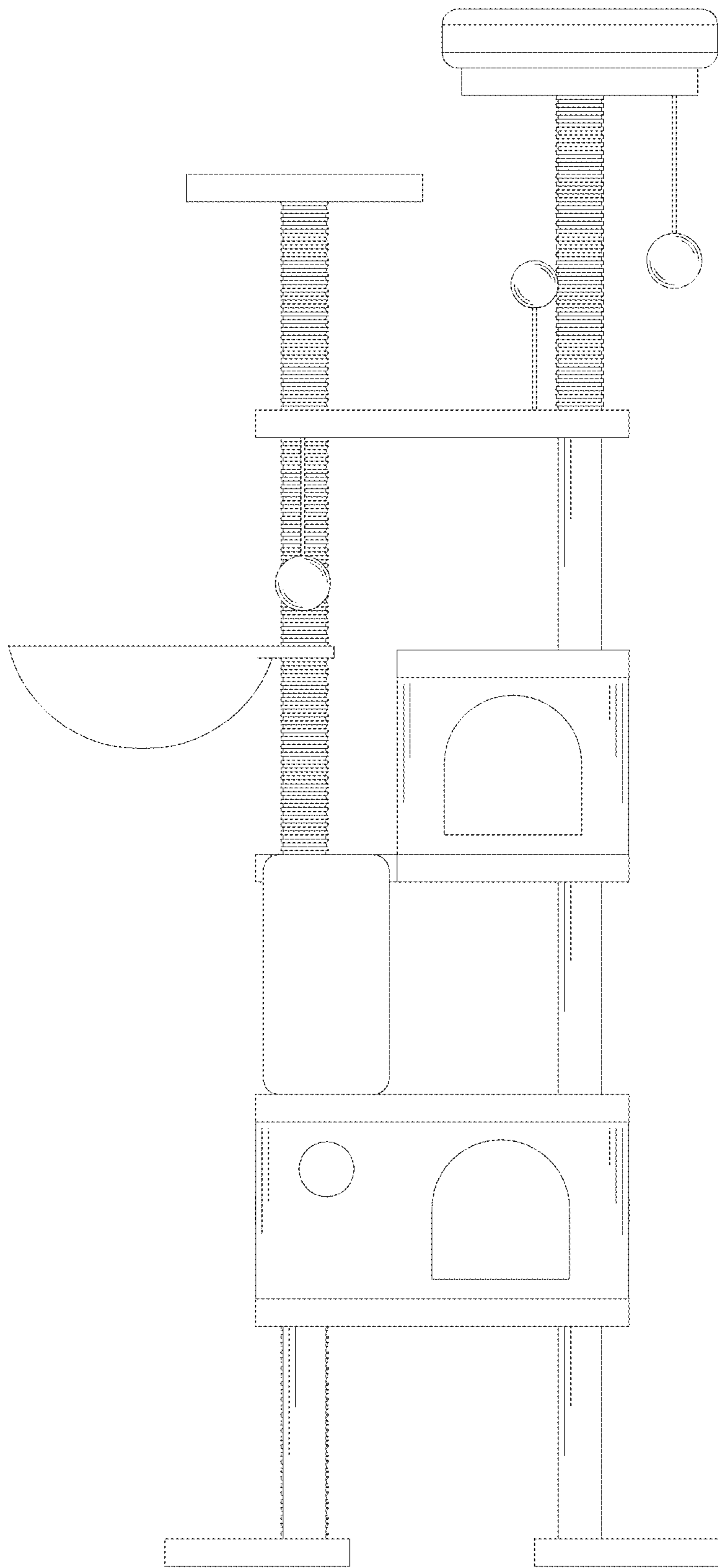


FIG. 6

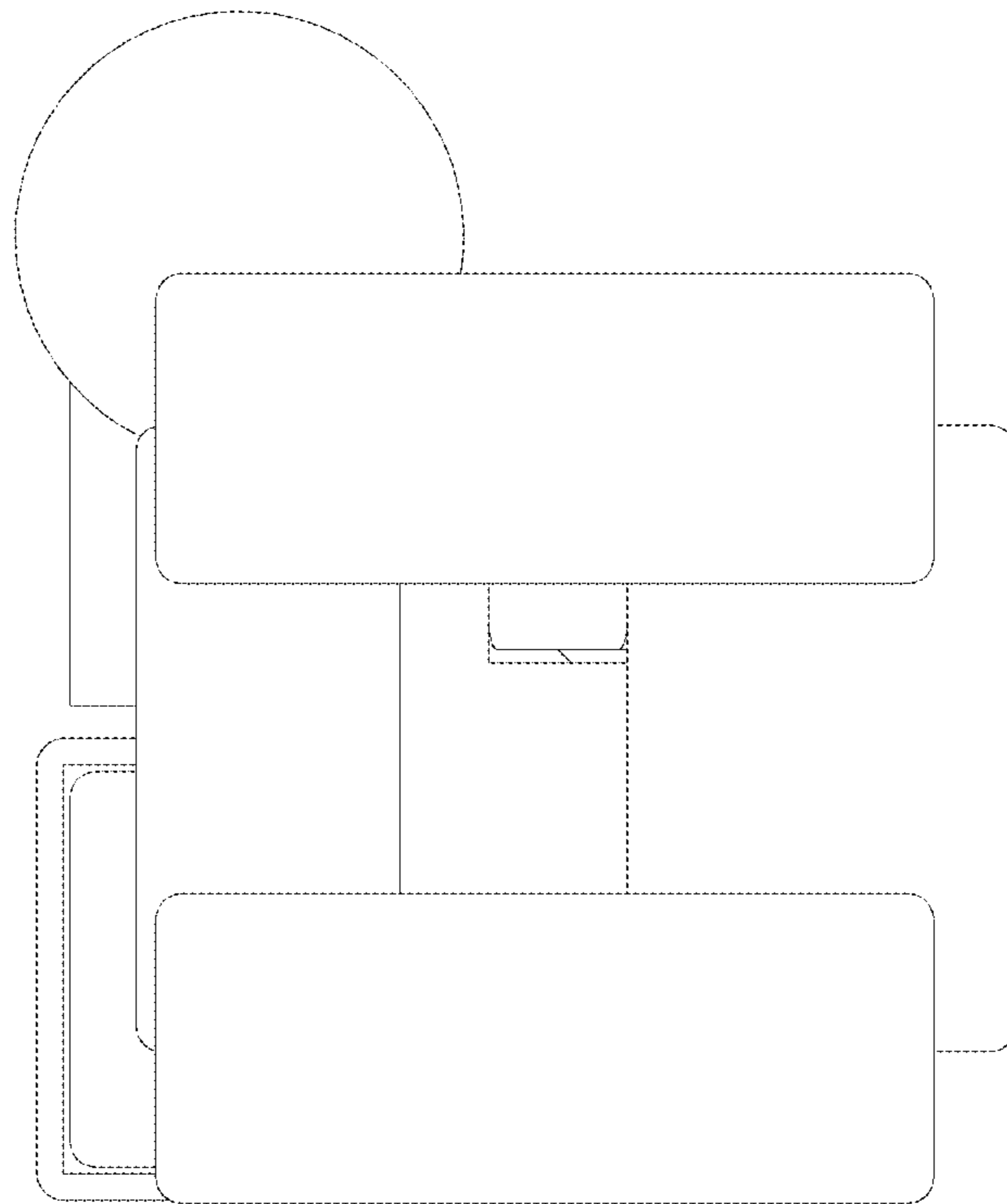


FIG. 7