



US00D977756S

(12) **United States Design Patent** (10) **Patent No.:** **US D977,756 S**
Wu (45) **Date of Patent:** **** Feb. 7, 2023**

(54) **TOY FOR PETS**

FOREIGN PATENT DOCUMENTS

(71) Applicant: **Changli Wu**, Linyi (CN)

EM 007985684-0001 * 6/2020

(72) Inventor: **Changli Wu**, Linyi (CN)

GB 9007985684-0001 * 6/2020

(73) Assignee: **Shandong Weishuo Yuanda Technology Innovation Co., Ltd.**, Shandong (CN)

OTHER PUBLICATIONS

(**) Term: **15 Years**

“Dog Chew toys” available Nov. 30, 2020, [online], [site visited Sep. 11, 2021]. Retrieved from Internet, URL:https://www.amazon.com/dp/B08P5H8R2Z/ref=sspa_dk_detail_3 (Year: 2020).*

(21) Appl. No.: **29/740,706**

“Dog Chew Toys Dog Toothbrush Stick” available Jun. 24, 2021, [online], [site visited Sep. 11, 2021]. Retrieved from Internet, URL:https://www.amazon.com/dp/B097MFR5SP/ref=sspa_dk_detail_0 (Year: 2021).*

(22) Filed: **Jul. 7, 2020**

“CEESC Dog Toothbrush Chew Toys with Rope” available Sep. 9, 2020, [online], [site visited Sep. 11, 2021]. Retrieved from Internet, URL:https://www.amazon.com/dp/B08HQQFQR2/ref=sspa_dk_detail_4 (Year: 2020).*

(51) **LOC (14) Cl.** **30-99**

(52) **U.S. Cl.**
USPC **D30/160**

(58) **Field of Classification Search**
USPC D30/158, 160, 199; 119/702, 706, 707, 119/708, 709, 710, 711, 174; D21/398, D21/405, 407, 411, 436, 443, 455, 457, D21/458, 461, 498, 400, 401, 402
CPC ... A01K 15/027; A01K 15/025; A01K 15/026
See application file for complete search history.

* cited by examiner

Primary Examiner — Katrina N Gonzalez

(57) **CLAIM**

The ornamental design for a toy for pets, as shown and described.

(56) **References Cited**

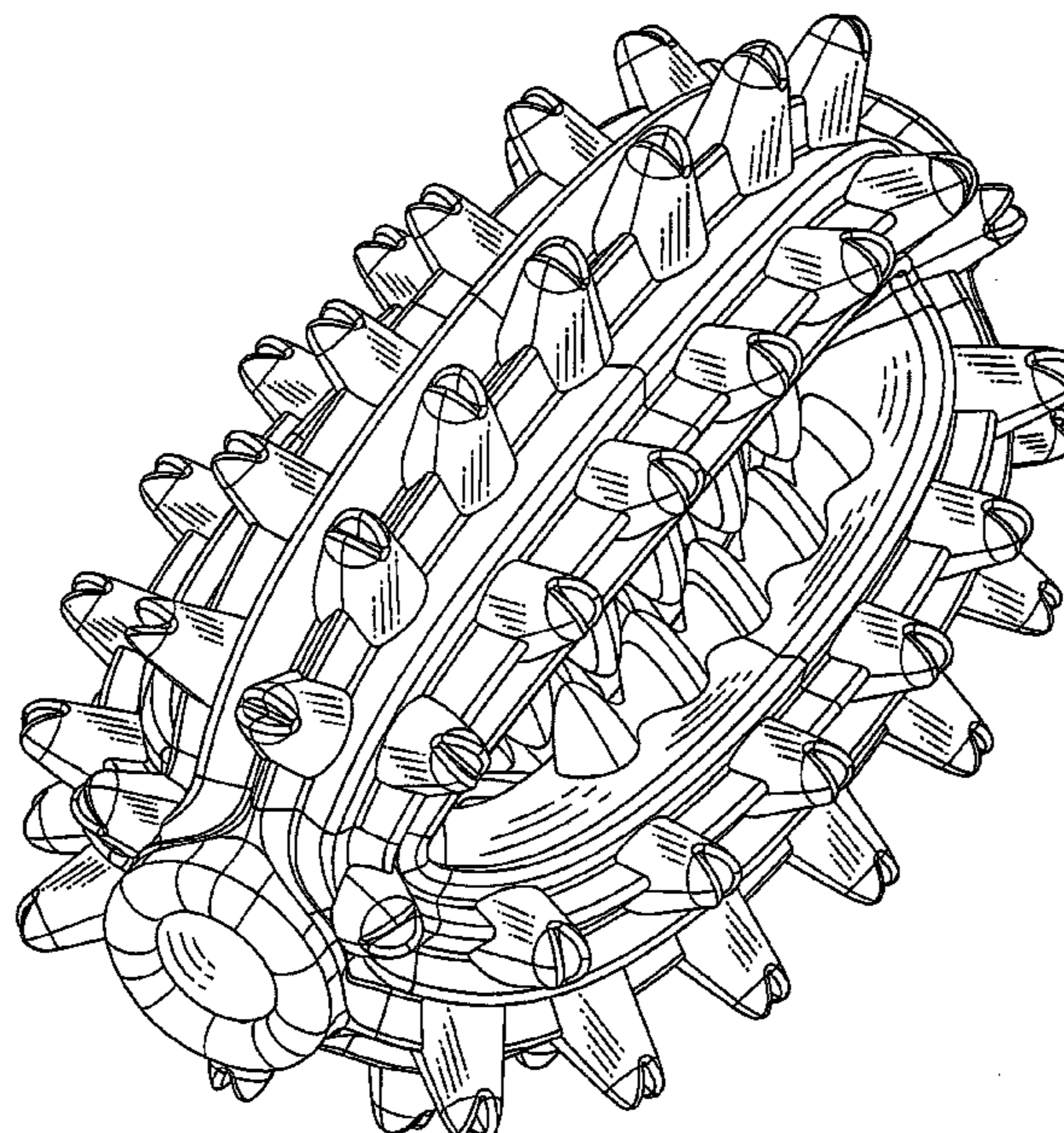
DESCRIPTION

U.S. PATENT DOCUMENTS

D462,487 S *	9/2002	Axelrod	D30/160
D473,683 S *	4/2003	Willinger	A01K 15/026
				D30/160
D513,096 S *	12/2005	Stiles	D21/712
D516,261 S *	2/2006	Roberts	D32/25
D564,714 S *	3/2008	Axelrod	D30/160
D583,519 S *	12/2008	Roberts	D32/29.1
D736,401 S *	8/2015	Matsuura	D24/215
D849,338 S *	5/2019	Becattini, Jr.	D30/160
D901,792 S *	11/2020	Wu	D30/160
D908,294 S *	1/2021	Liang	D30/160
2013/0074780 A1 *	3/2013	Wechsler	A01K 15/025
				119/710

FIG. 1 is a perspective view of a toy for pets showing my new design;
FIG. 2 is a front elevation view thereof;
FIG. 3 is a rear elevation view thereof;
FIG. 4 is a left side elevation view thereof;
FIG. 5 is a right side elevation view thereof;
FIG. 6 is a top plan view thereof; and,
FIG. 7 is a bottom plan view thereof.
The broken lines illustrate portions of the toy for pets that form no part of the claimed design.

1 Claim, 7 Drawing Sheets



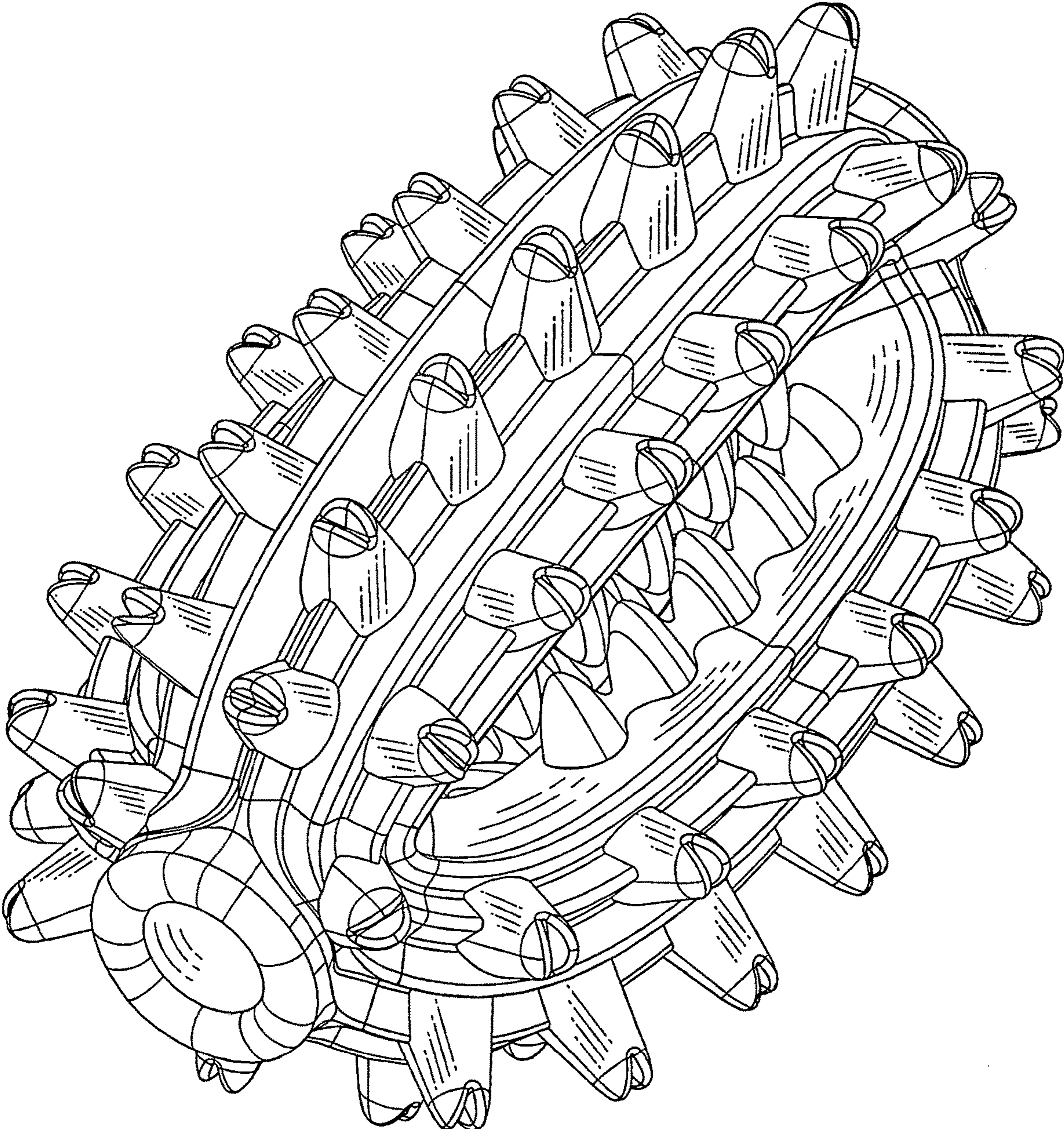


FIG. 1

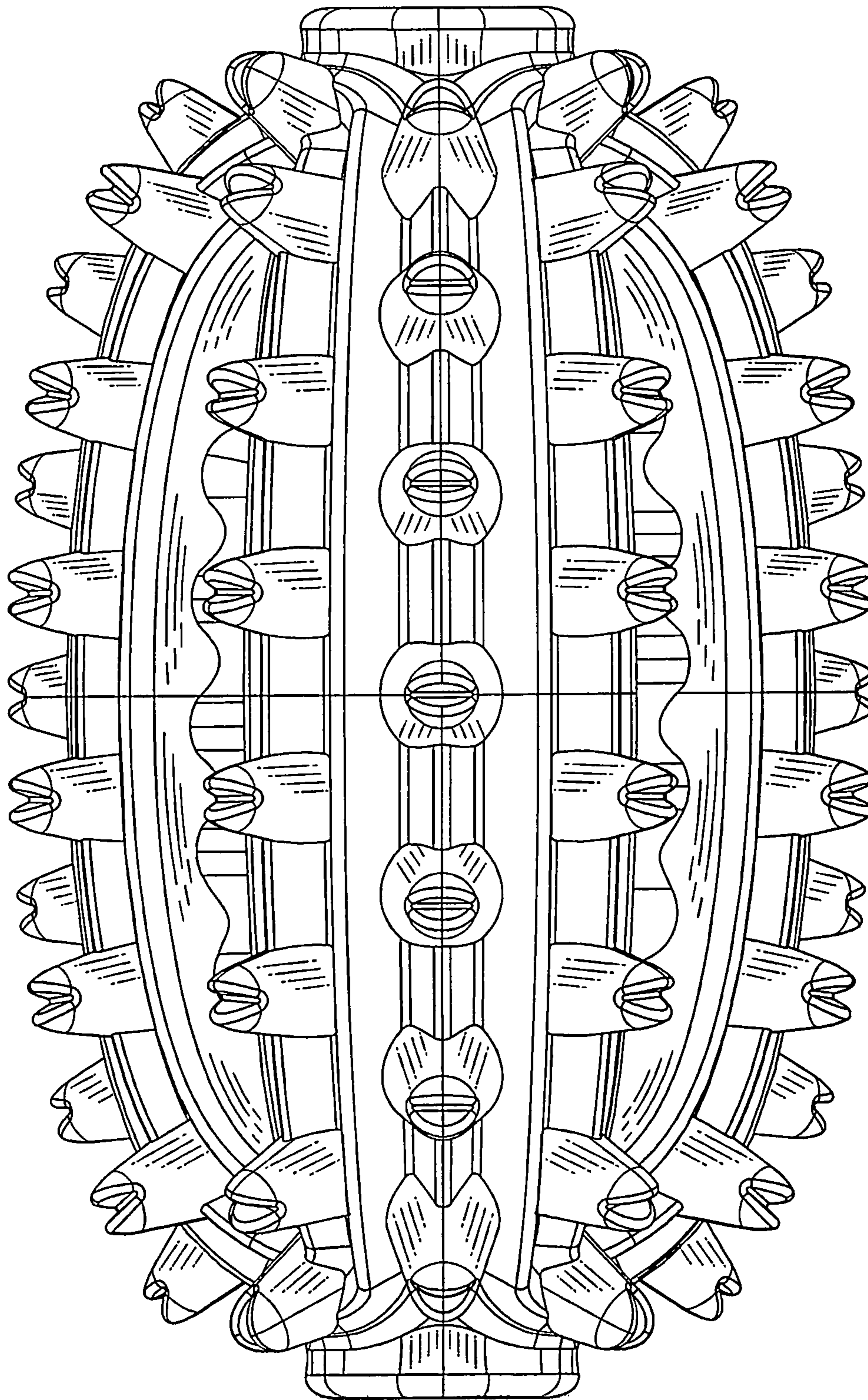


FIG. 2

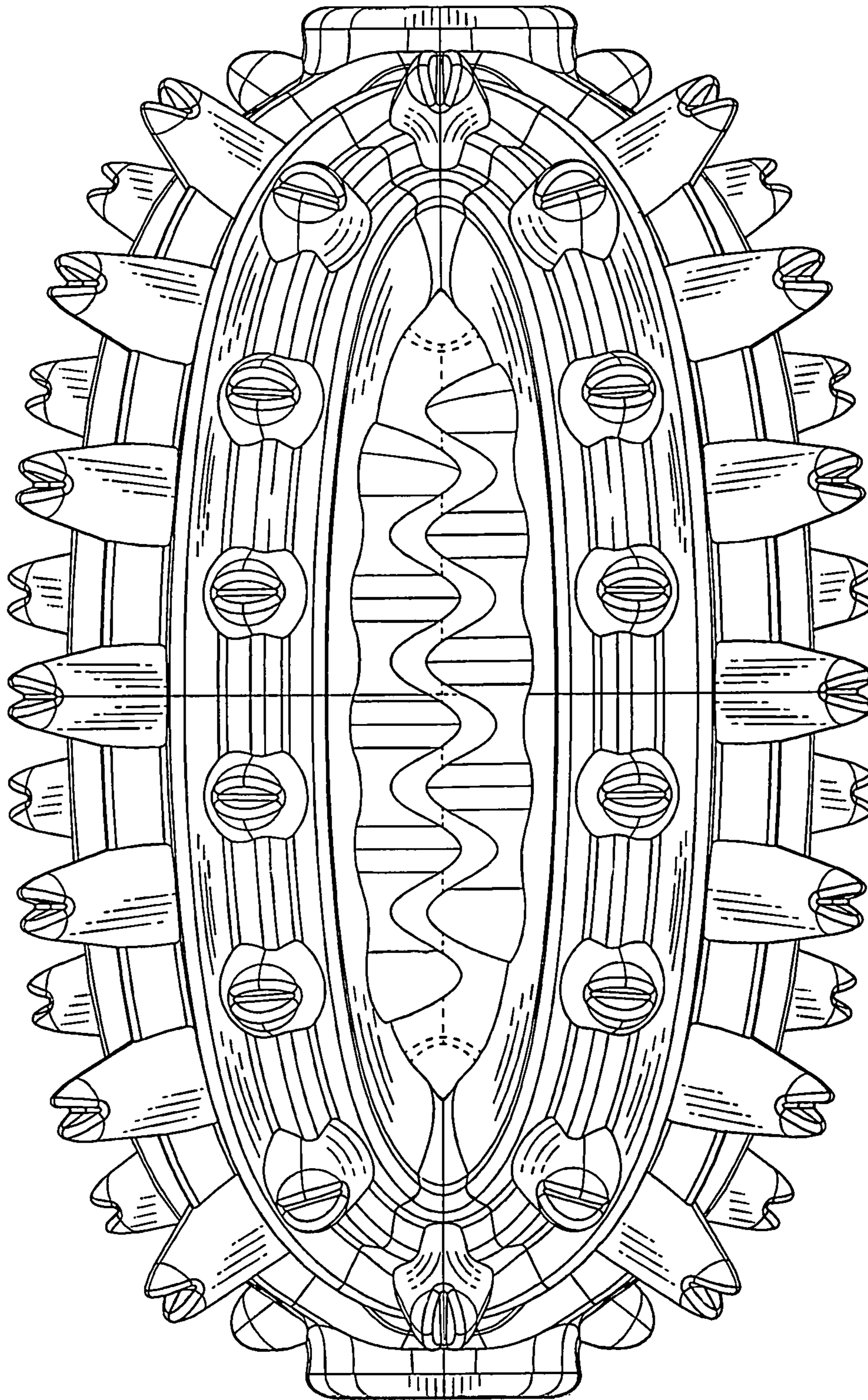


FIG. 3

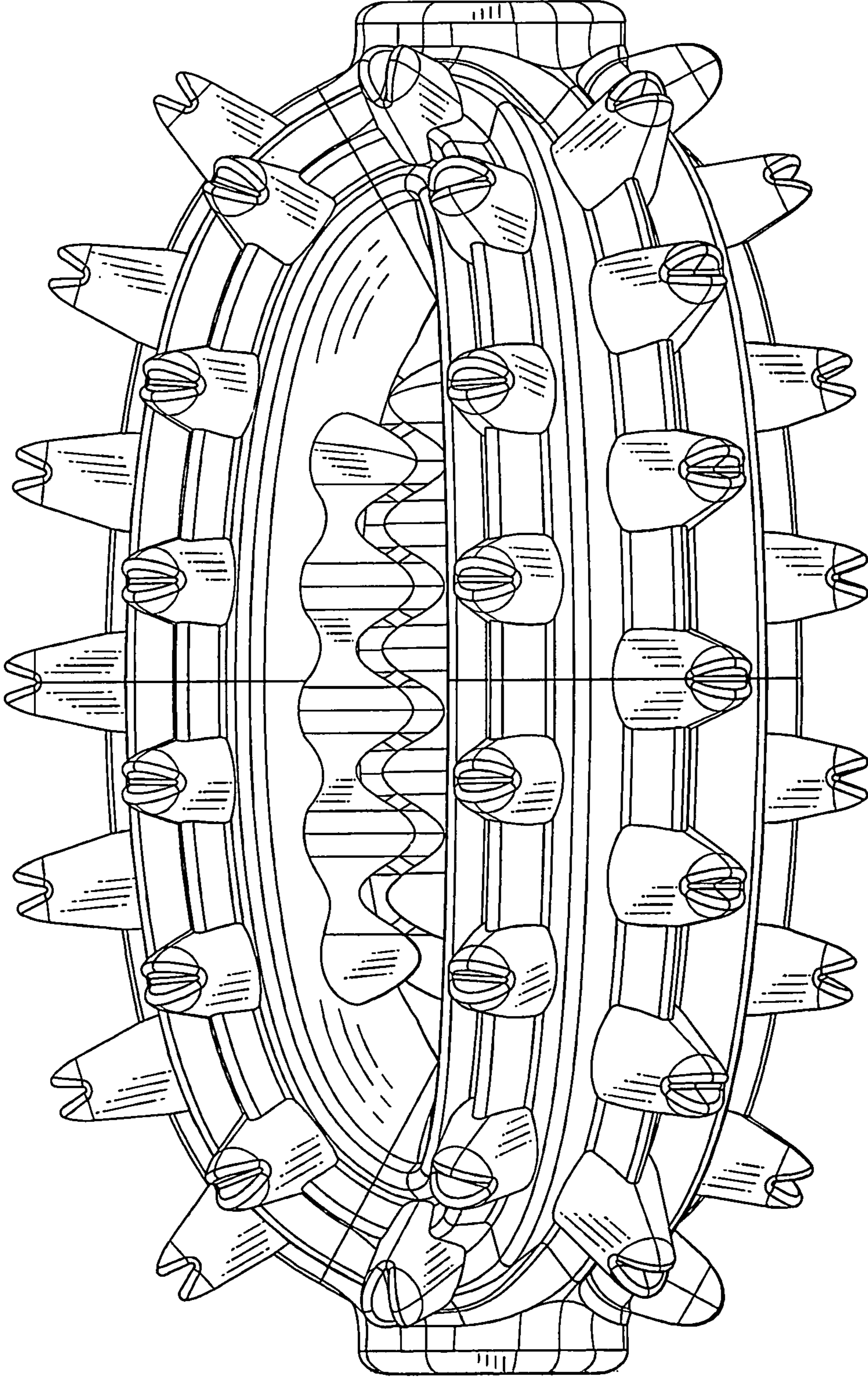


FIG. 4

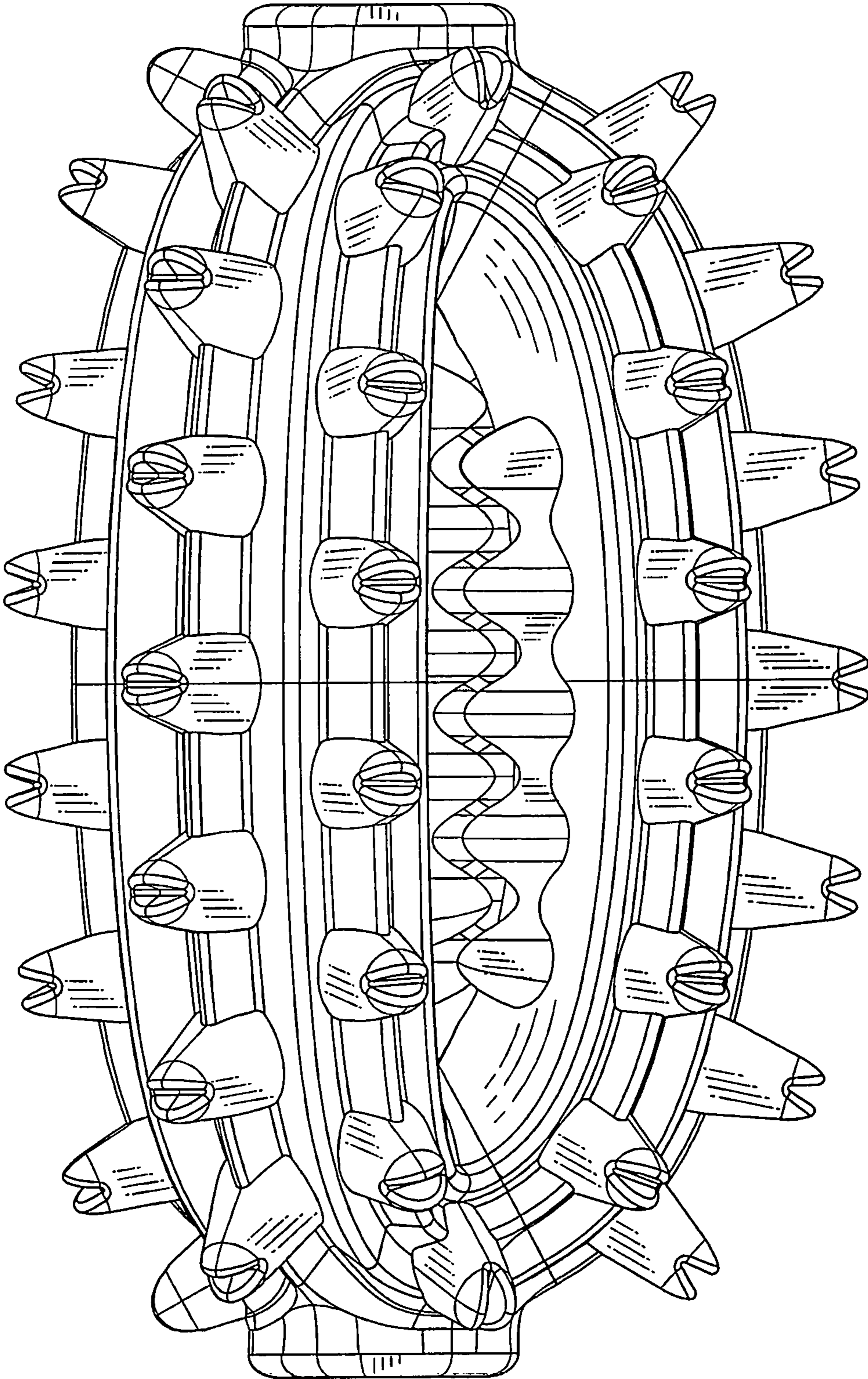


FIG. 5

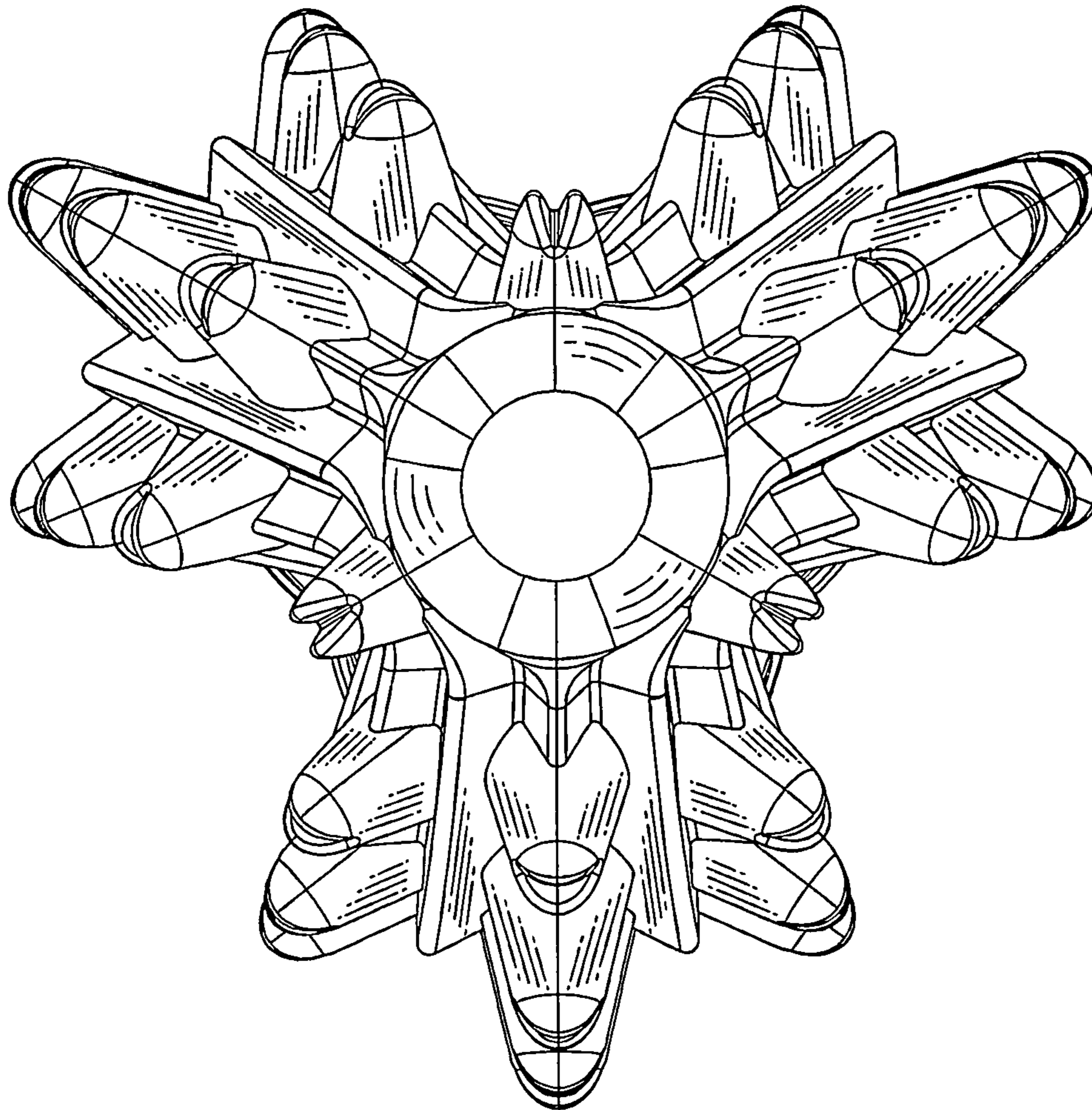


FIG. 6

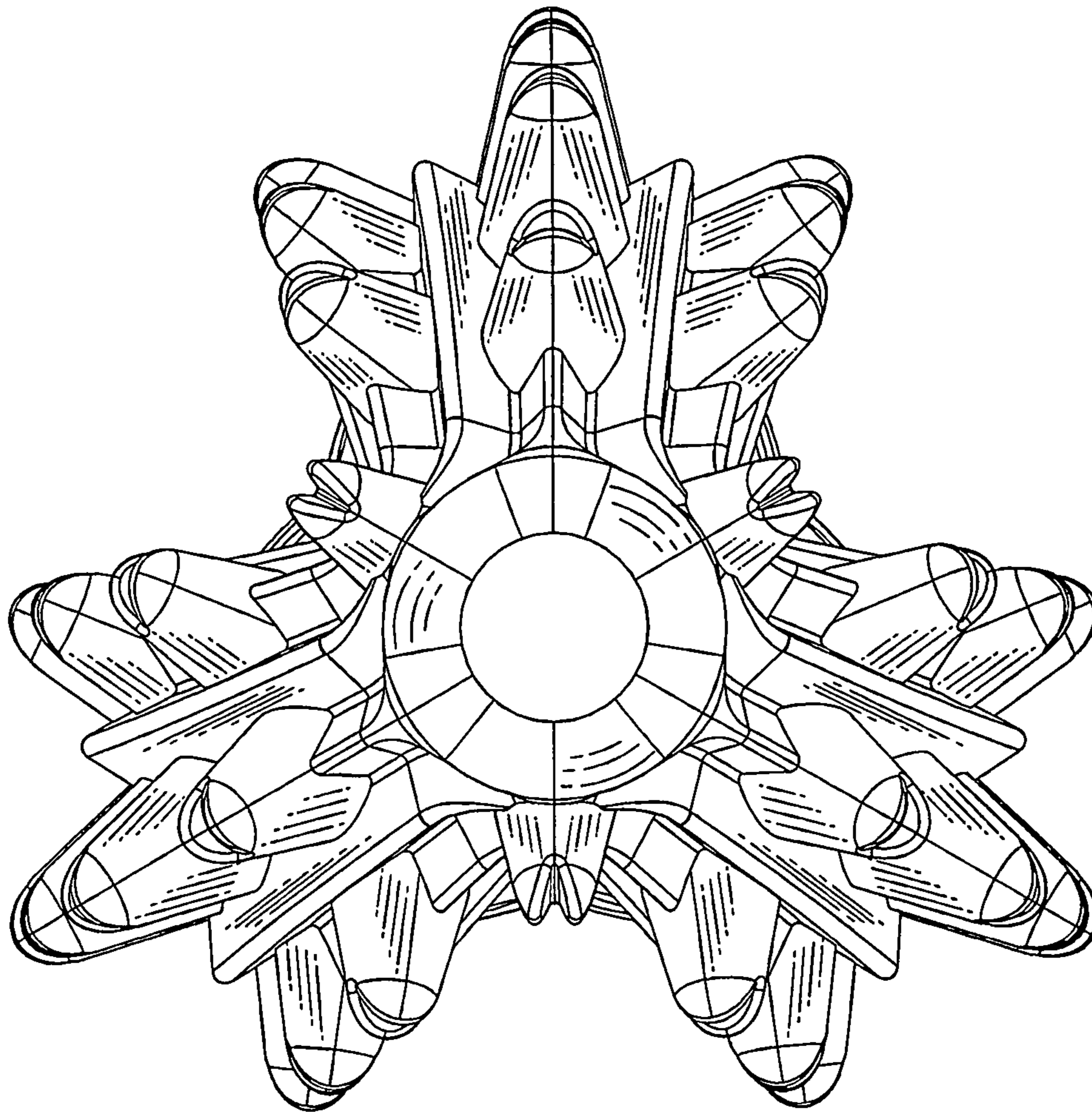


FIG. 7