



US00D977755S

(12) **United States Design Patent**
Nguyen

(10) **Patent No.:** **US D977,755 S**

(45) **Date of Patent:** **** Feb. 7, 2023**

(54) **PET TOY**

(71) Applicant: **Doskocil Manufacturing Company, Inc.**, Arlington, TX (US)

(72) Inventor: **Vung Nguyen**, Ho Chi Minh (VN)

(73) Assignee: **DOSKOCIL MANUFACTURING COMPANY, INC.**, Arlington, TX (US)

(**) Term: **15 Years**

(21) Appl. No.: **29/722,876**

(22) Filed: **Feb. 3, 2020**

(51) **LOC (14) Cl.** **30-99**

(52) **U.S. Cl.**
USPC **D30/160**

(58) **Field of Classification Search**
USPC D30/160, 199; 119/702, 706, 707, 708,
119/709, 710, 711, 174; D21/398, 405,
D21/415, 428, 441, 443, 465, 466, 698,
D21/713, 718, 781

CPC ... A01K 15/027; A01K 15/025; A01K 15/026
See application file for complete search history.

(56) **References Cited**

U.S. PATENT DOCUMENTS

D400,620 S	*	11/1998	Barton, Jr.	D21/713
D408,482 S	*	4/1999	Morrison	D21/708
D511,029 S	*	10/2005	Willinger	D21/713
D673,740 S	*	1/2013	Burger	D30/160
D700,259 S	*	2/2014	Lien	D21/713
D769,376 S	*	10/2016	Wolff	D21/398
D776,371 S	*	1/2017	Tome	D30/160

D799,613 S	*	10/2017	Dillon	D21/713
D817,562 S	*	5/2018	Markham	D30/160
D838,417 S	*	1/2019	Jiang	D30/160
D848,559 S	*	5/2019	Zawitz	D21/713
D848,683 S	*	5/2019	Pinto	D30/160
D855,134 S	*	7/2019	Wang	D21/713
D873,508 S	*	1/2020	Loibl	D30/160
D875,330 S	*	2/2020	Vierbergen	D30/160
D881,309 S	*	4/2020	Hynes	D21/781
D906,452 S	*	12/2020	von Heland	D21/713
D917,800 S	*	4/2021	Yi	D30/160
2010/0203987 A1	*	8/2010	Bagley	A01K 15/025 473/571
2018/0125034 A1	*	5/2018	Lai	H01H 35/144

* cited by examiner

Primary Examiner — Katrina N Gonzalez

(74) *Attorney, Agent, or Firm* — Global IP Counselors, LLP

(57) **CLAIM**

The ornamental design for a pet toy, as shown and described.

DESCRIPTION

FIG. 1 is a top perspective view of a pet toy in accordance with my new design;

FIG. 2 is a front perspective view thereof;

FIG. 3 is a back view thereof;

FIG. 4 is a right side view thereof

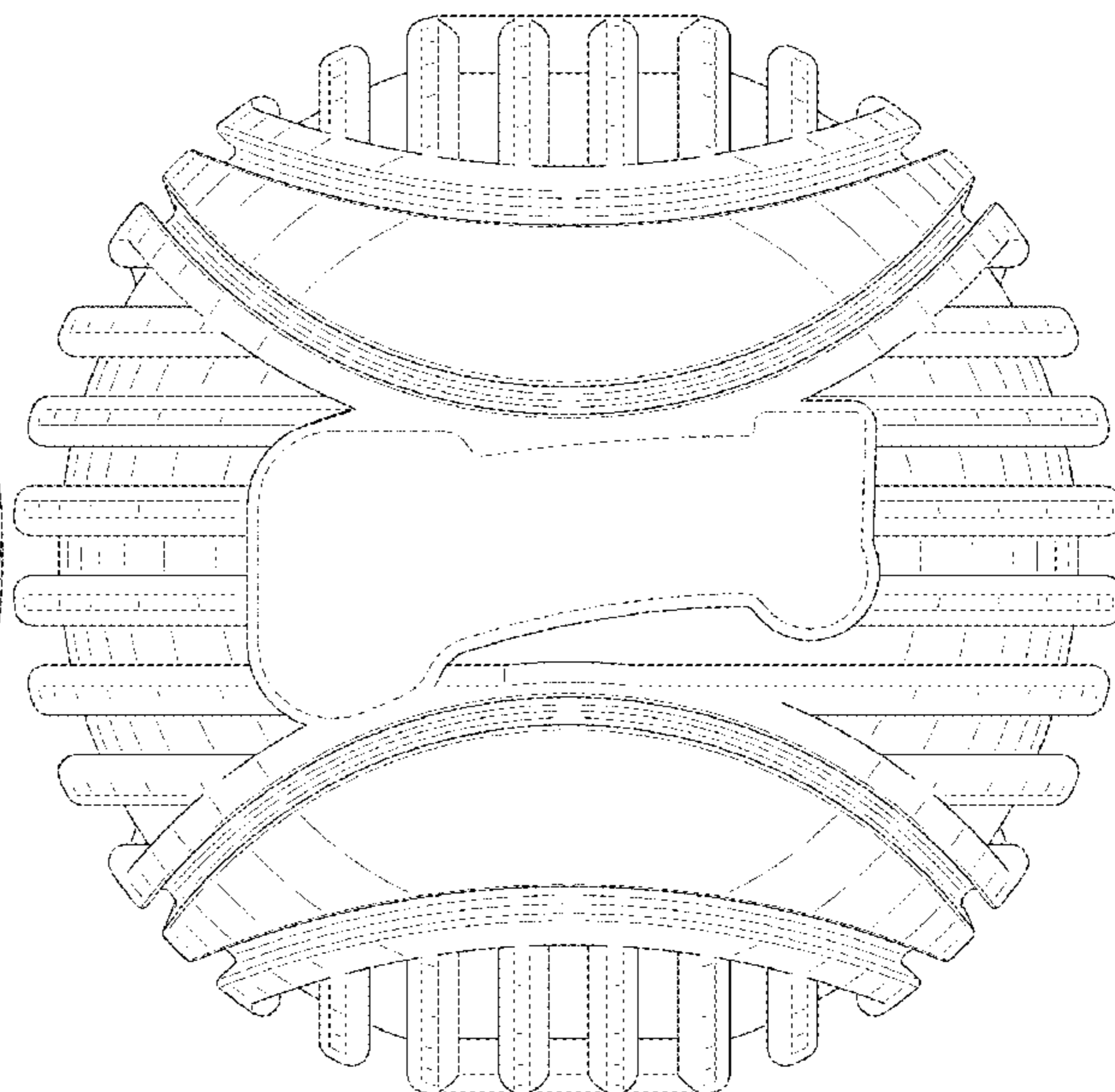
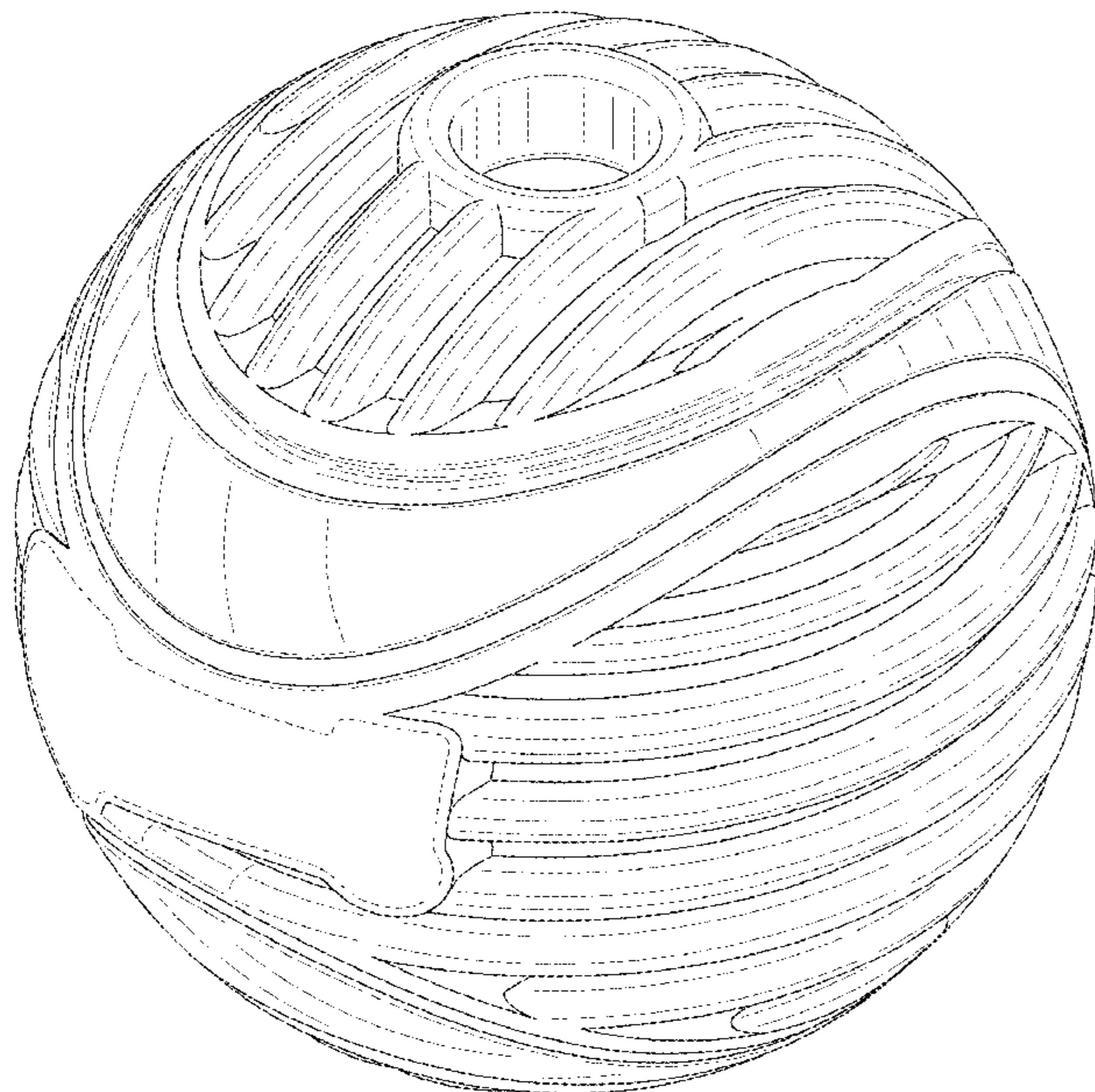
FIG. 5 is a left side view thereof

FIG. 6 is a top view thereof; and,

FIG. 7 is a bottom view thereof.

The broken lines in the drawings illustrate portions of the pet toy that form no part of the claimed design.

1 Claim, 7 Drawing Sheets



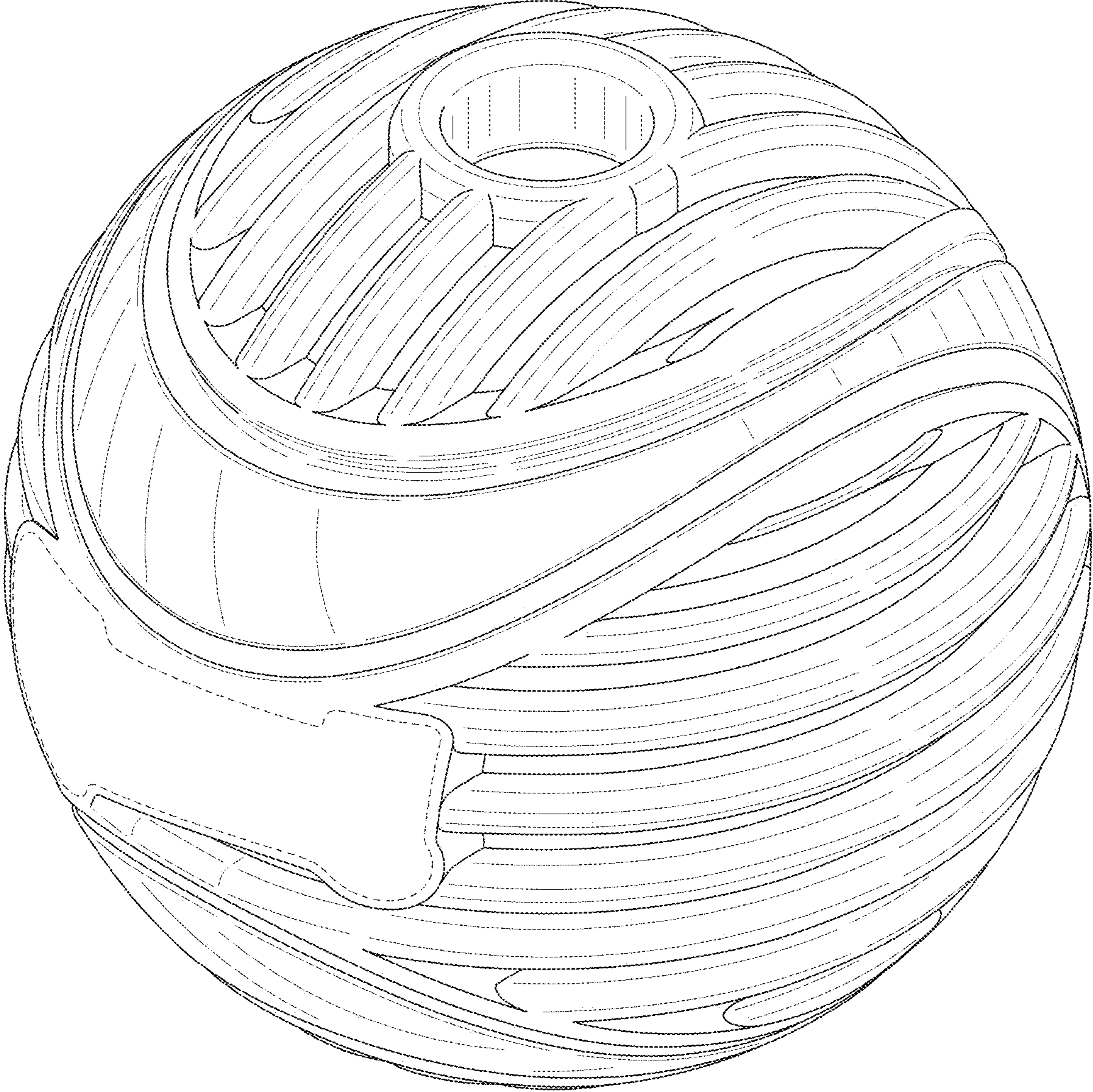


FIG. 1

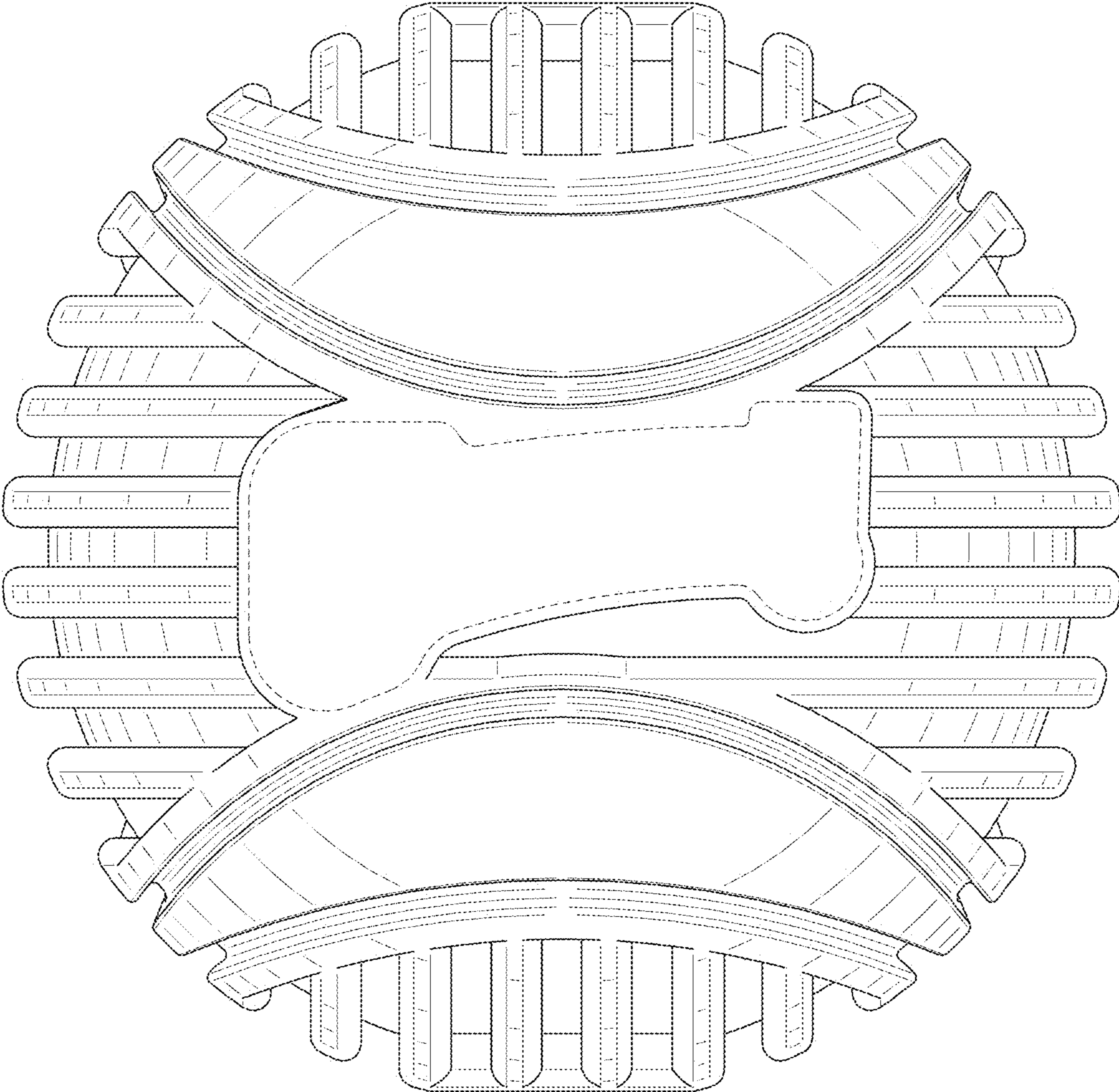


FIG. 2

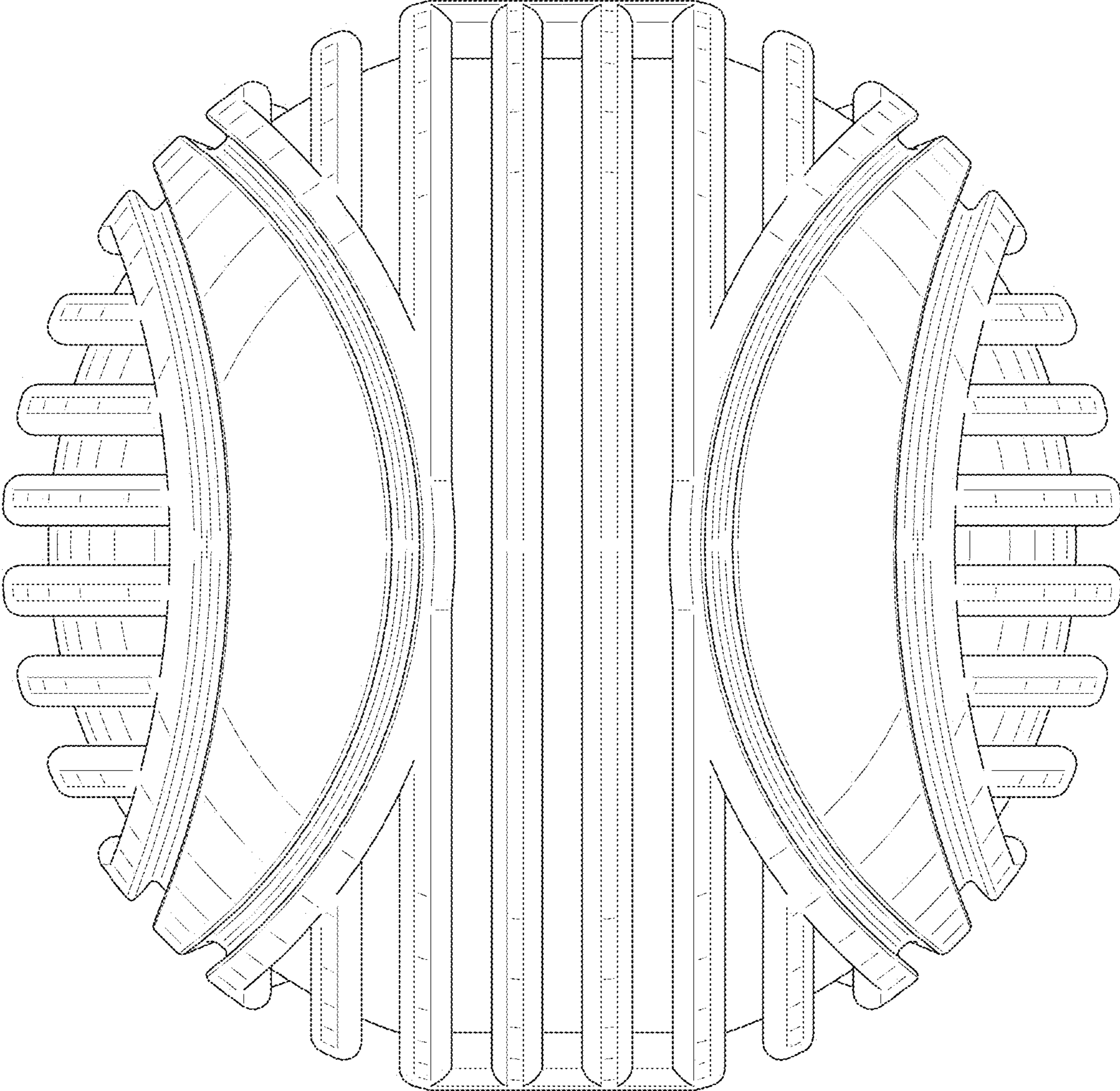


FIG. 3

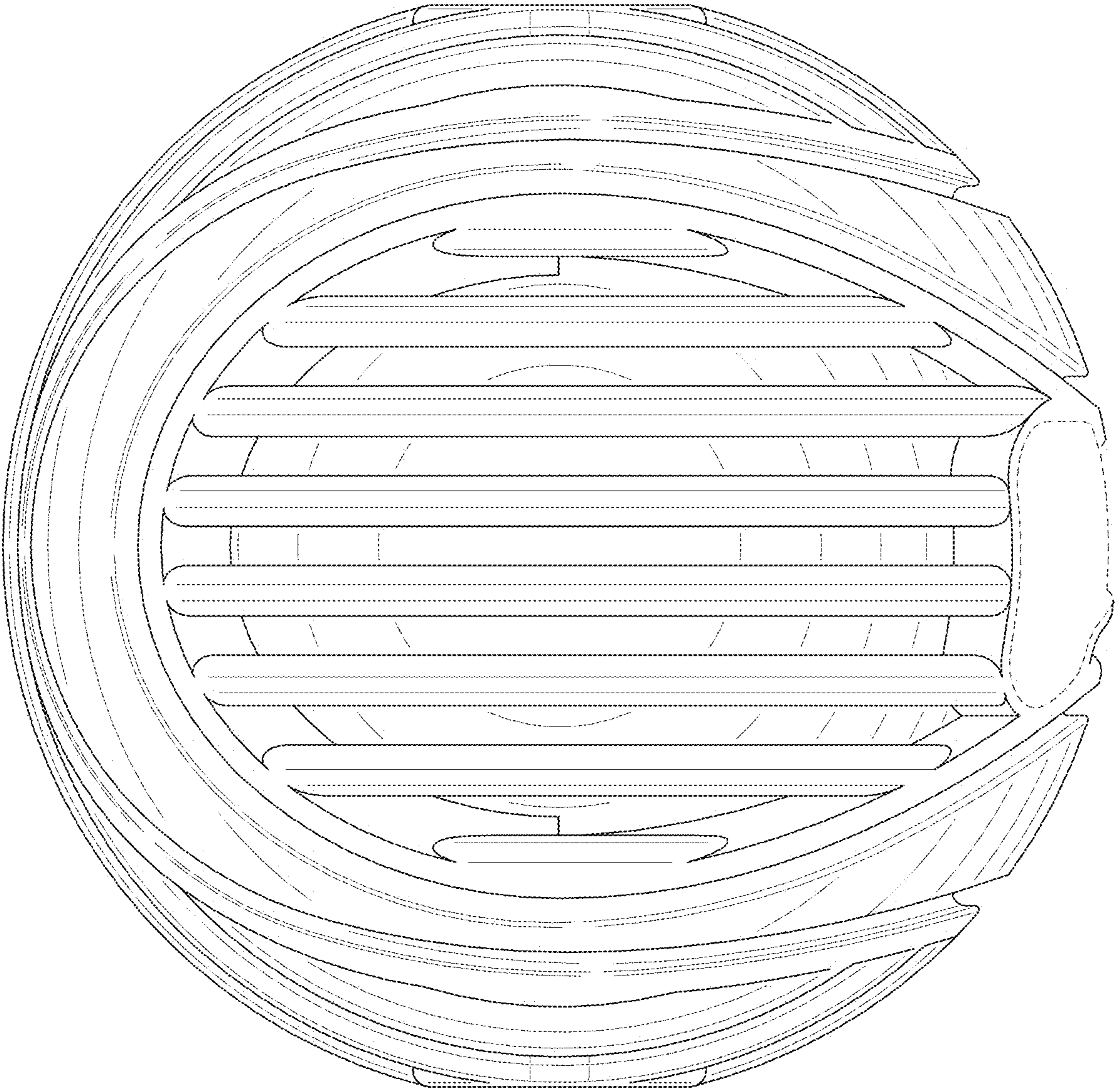


FIG. 4

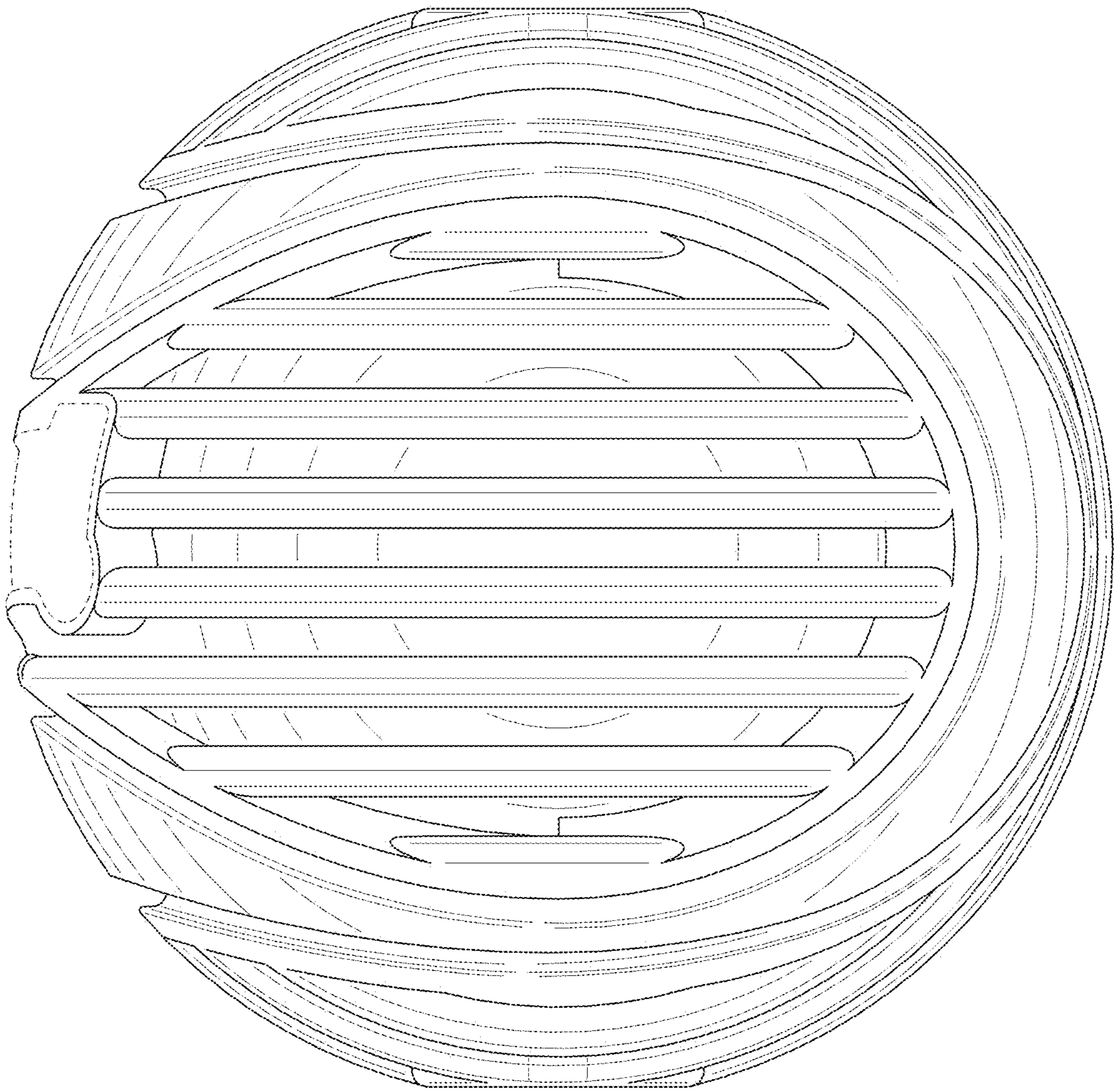


FIG. 5

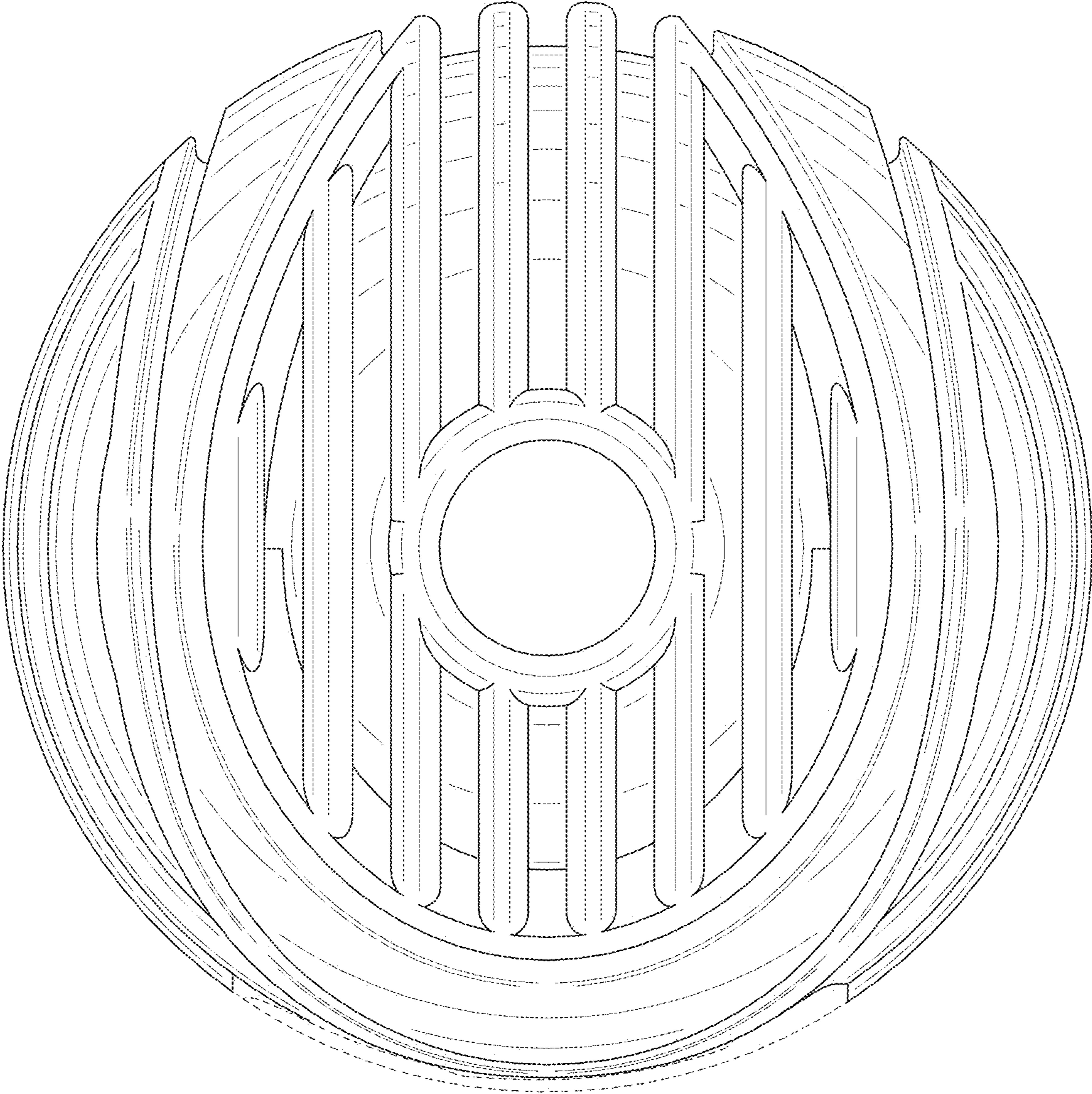


FIG. 6

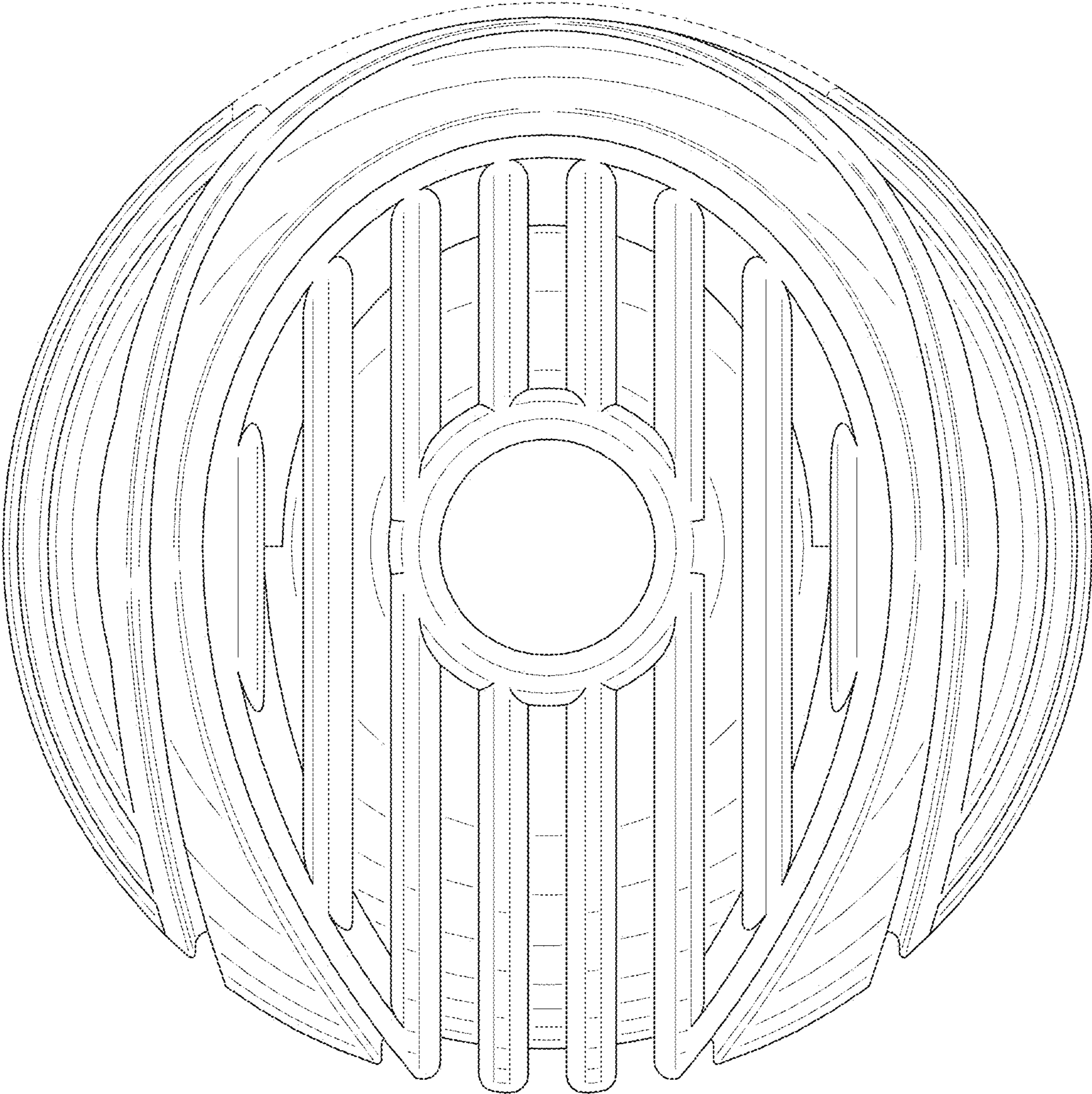


FIG. 7