



US00D977753S

(12) **United States Design Patent** (10) **Patent No.:** **US D977,753 S**
Fu (45) **Date of Patent:** **** Feb. 7, 2023**

(54) **PET BATH TOWEL**
(71) Applicant: **Fangyan Fu**, Shenzhen (CN)
(72) Inventor: **Fangyan Fu**, Shenzhen (CN)
(**) Term: **15 Years**

(21) Appl. No.: **29/800,158**
(22) Filed: **Jul. 19, 2021**
(51) **LOC (14) Cl.** **30-99**
(52) **U.S. Cl.**
USPC **D30/158**; D6/608
(58) **Field of Classification Search**
USPC D30/158, 199; 119/600, 601, 606, 621;
D6/608; D2/622; D29/118, 119
CPC A45B 5/04; A47L 13/16
See application file for complete search history.

(56) **References Cited**

U.S. PATENT DOCUMENTS

D242,490 S *	11/1976	Belkin	D6/602
D341,285 S *	11/1993	Kraus	D6/608
6,408,462 B1 *	6/2002	Moore	A45F 4/02
				2/84
D478,455 S *	8/2003	Papazian	D6/596
D501,350 S *	2/2005	Kelly	D2/719
D651,032 S *	12/2011	Adkins	D6/596
D693,971 S	11/2013	Daugherty		
D727,662 S *	4/2015	Lazaroff	D6/599
D744,263 S *	12/2015	Quinones	D2/719
D756,043 S *	5/2016	Woehler	D30/151
D834,352 S *	11/2018	Oyekan	D6/608
D855,355 S *	8/2019	McClellan-Miller	D6/603
D867,788 S *	11/2019	Anderson	D6/608
D885,011 S *	5/2020	Beamen	D2/823
D887,179 S *	6/2020	Bundy	D6/608
D919,334 S *	5/2021	Beamen	D6/608
D923,258 S *	6/2021	Chen	D30/144

D923,913 S * 7/2021 Schwartz A41D 20/00
D2/614
D925,840 S * 7/2021 Chen D30/144
2001/0044964 A1 * 11/2001 Phillips A47G 9/064
5/485

OTHER PUBLICATIONS

“Frisco Embroidered Pawprint Microfiber Dog Bath Cape Towel” available Sep. 22, 2021, [online], [site visited Mar. 24, 2022]. Retrieved from Internet, URL:https://www.chewy.com/frisco-embroidered-pawprint/dp/295465 (Year: 2021).*
“Pet Life” available Mar. 23, 2022, [online], [site visited Mar. 23, 2022]. Retrieved from Internet, URL:https://www.petco.com/shop/en/petcostore/product/pet-life-dry-aid-orange-hand-inserted-bathing-and-grooming-quick-drying-microfiber-pet-towel-3531384 (Year: 2022).*
“Sansent 34x24 Large Dog Towel” available Mar. 26, 2021, [online], [site visited Mar. 23, 2022]. Retrieved from Internet, URL:https://www.amazon.com/Sansent-Absorbent-Pockets-Microfiber-Chenille/dp/B0916286FW?th=1 (Year: 2021).*

* cited by examiner

Primary Examiner — Katrina N Gonzalez
(74) *Attorney, Agent, or Firm* — Justin Lampel

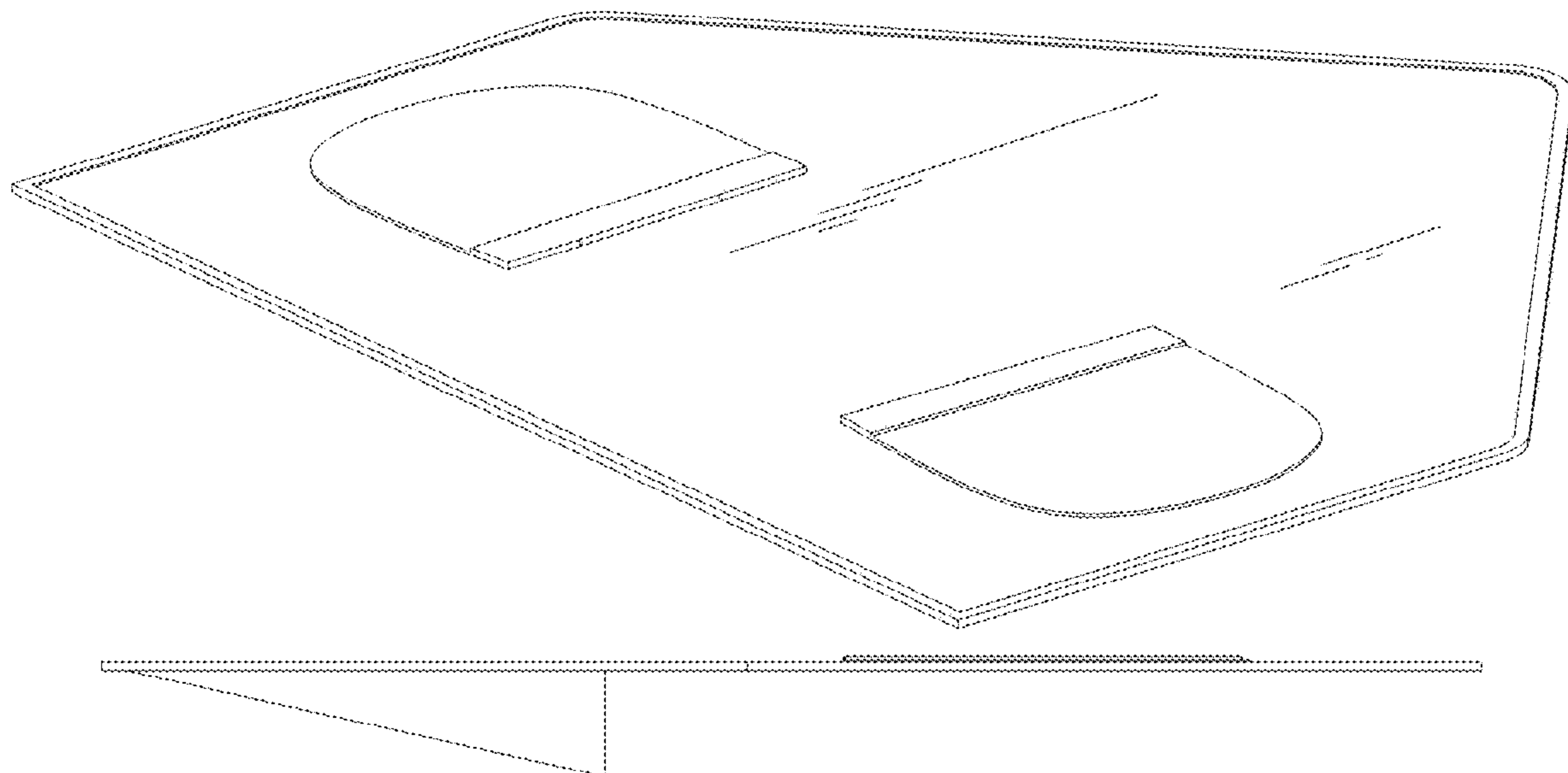
(57) **CLAIM**

The ornamental design for a pet bath towel, as shown and described.

DESCRIPTION

FIG. 1 is a perspective view of a pet bath towel showing the claimed design;
FIG. 2 is a top plan view thereof;
FIG. 3 is a left side view thereof;
FIG. 4 is a front elevational view thereof;
FIG. 5 is a right side view thereof;
FIG. 6 is a rear elevational view thereof; and,
FIG. 7 is a bottom plan view thereof.
The broken lines illustrate portions of the pet bath towel that form no part of the claimed design.

1 Claim, 7 Drawing Sheets



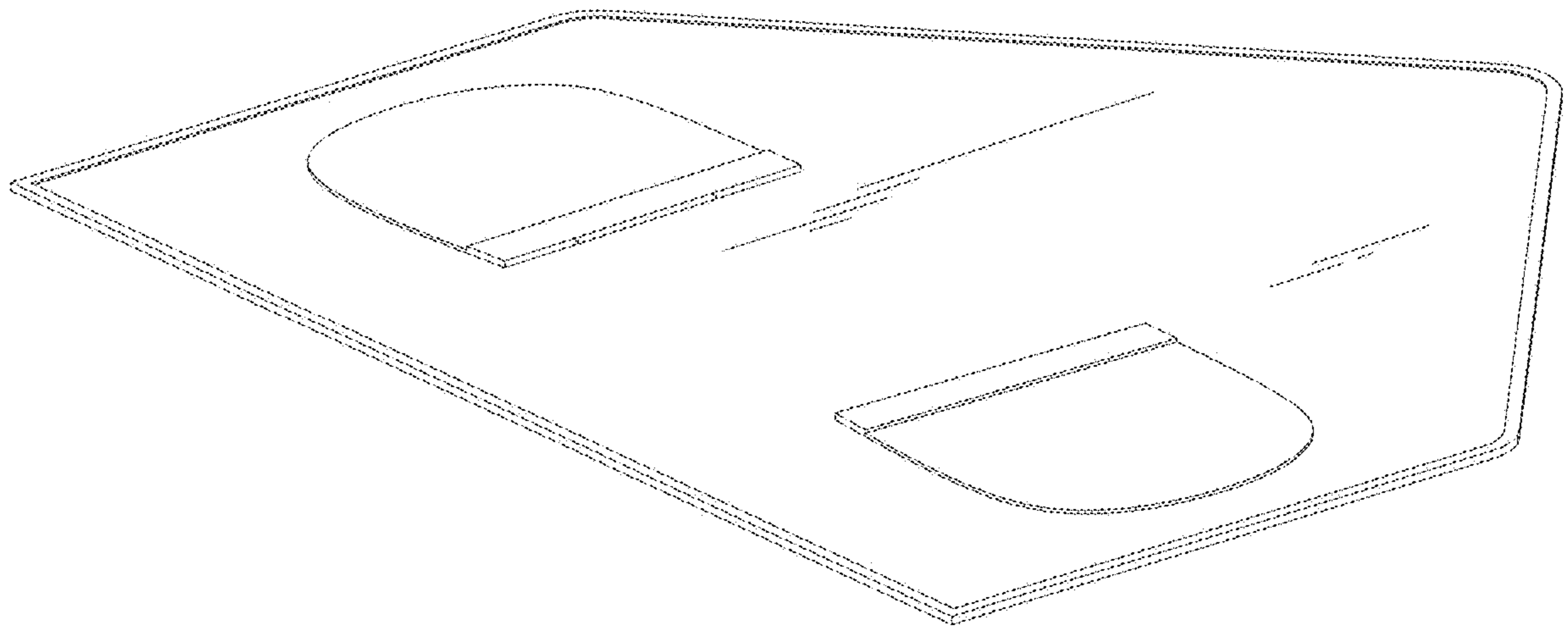


FIG.1

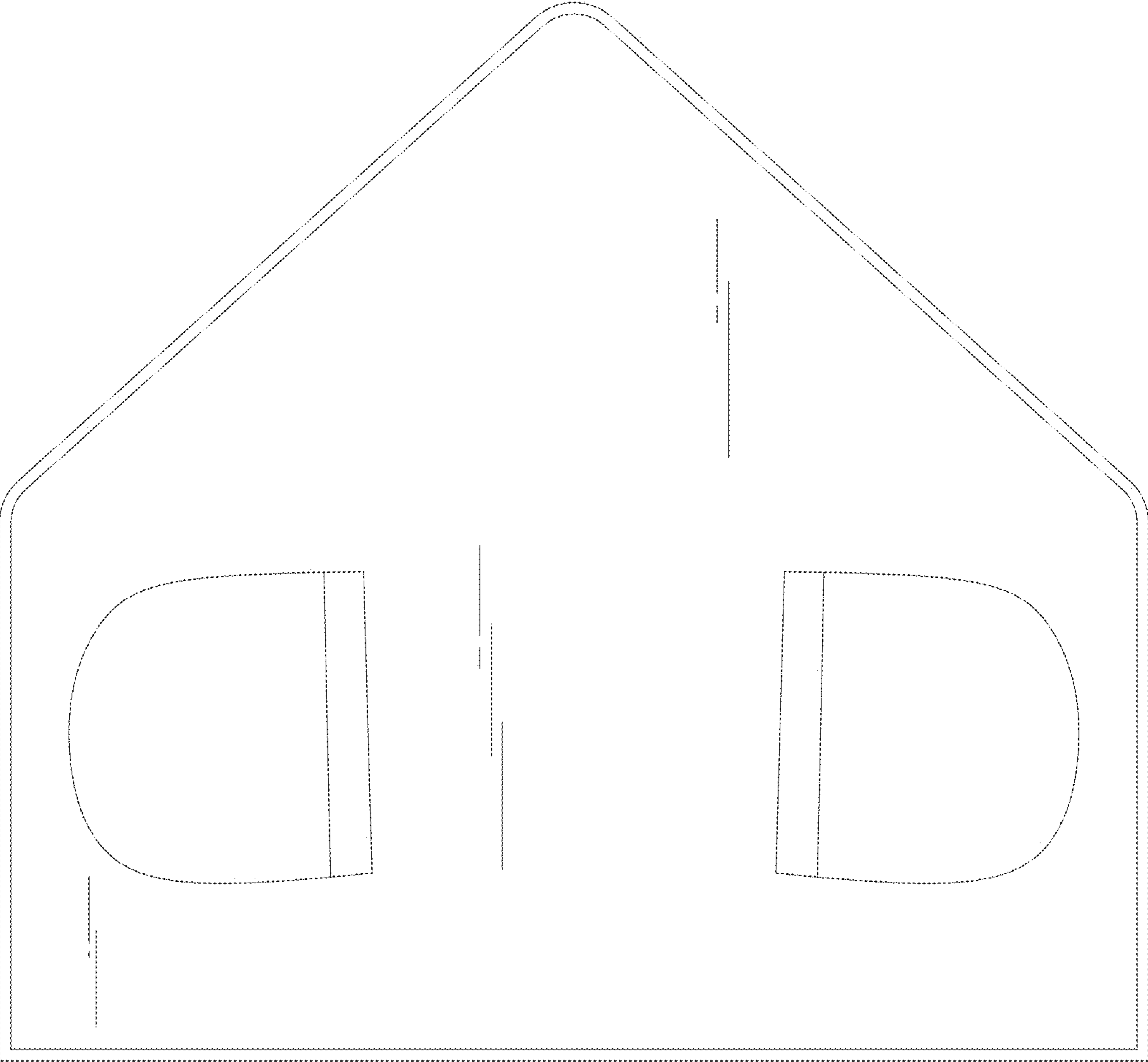


FIG.2

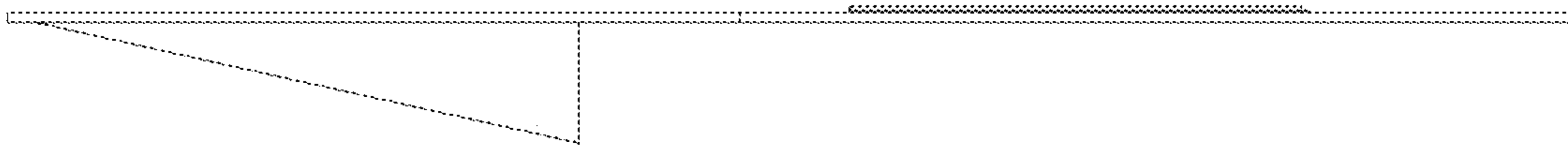


FIG.3

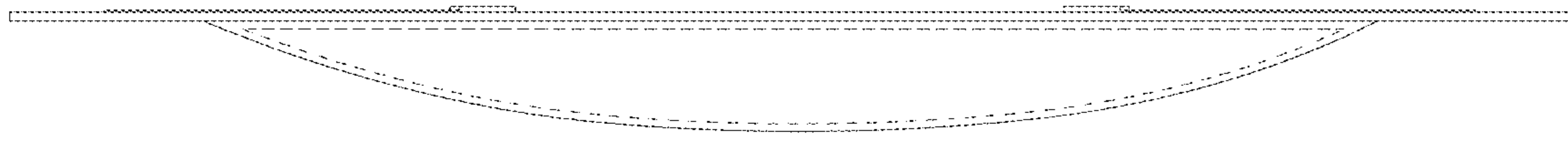


FIG.4

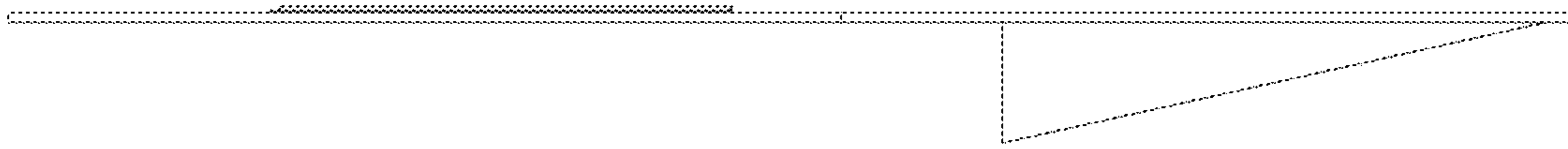


FIG.5

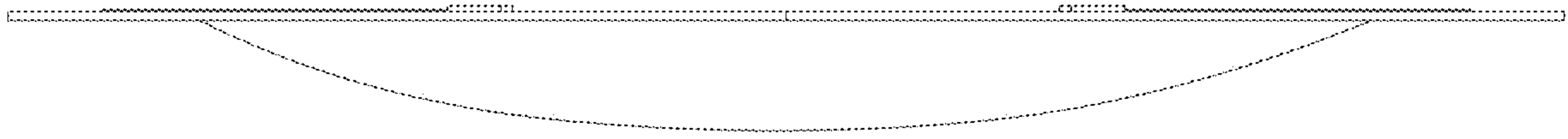


FIG.6

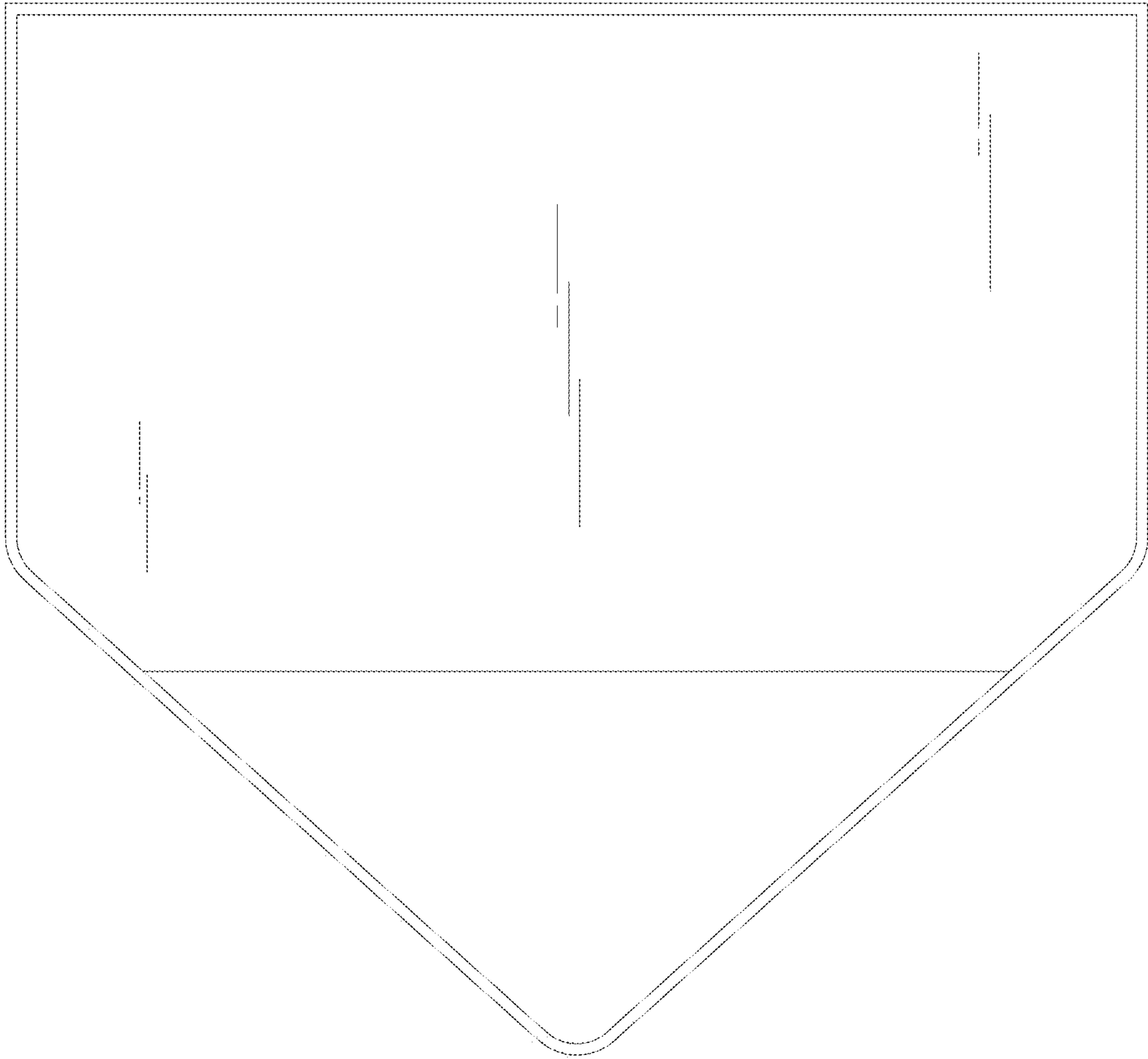


FIG. 7