



US00D977746S

(12) **United States Design Patent** (10) **Patent No.:** **US D977,746 S**  
**Yi** (45) **Date of Patent:** **\*\* Feb. 7, 2023**

(54) **PET GLASSES**

(71) Applicant: **SHENZHEN LESHUO TECHNOLOGY CO., LTD.,**  
Guangdong (CN)

(72) Inventor: **Zhou Yi,** Guangdong (CN)

(73) Assignee: **SHENZHEN LESHUO TECHNOLOGY CO., LTD.,**  
Guangdong (CN)

(\*\*) Term: **15 Years**

(21) Appl. No.: **29/787,007**

(22) Filed: **Jun. 3, 2021**

(51) **LOC (14) Cl.** ..... **30-01**

(52) **U.S. Cl.**  
USPC ..... **D30/144; D30/199; D16/311**

(58) **Field of Classification Search**  
USPC ..... D30/144, 199; 119/850; D16/300, 301,  
D16/311, 312, 313, 315  
CPC ..... A01K 13/006  
See application file for complete search history.

(56) **References Cited**

**U.S. PATENT DOCUMENTS**

3,924,388	A	*	12/1975	Morrison	.....	A61D 7/00 D30/144
4,178,742	A	*	12/1979	Longfellow	.....	A01K 13/006 54/80.2
D431,584	S	*	10/2000	Chiang	.....	D16/312
D457,550	S	*	5/2002	Wilson	.....	D16/312
D466,916	S	*	12/2002	Wang	.....	D16/312
D536,361	S	*	2/2007	Sheldon	.....	D16/326
D620,969	S	*	8/2010	Cyr	.....	D16/312
D640,724	S	*	6/2011	Goodman	.....	D16/312
D698,853	S	*	2/2014	Lee	.....	D16/326
D725,175	S	*	3/2015	Wang-Lee	.....	D16/312

D728,665	S	*	5/2015	Chen	.....	D16/313
D729,865	S	*	5/2015	Chen	.....	D16/311
D736,303	S	*	8/2015	Yu	.....	D16/309
D841,079	S		2/2019	Harpages		
D869,102	S	*	12/2019	Yi	.....	D16/311
D873,900	S	*	1/2020	Hedayat	.....	D16/312

**OTHER PUBLICATIONS**

“Enjoying Dog Glasses” available Oct. 11, 2021, [online], [site visited Jul. 27, 2022]. Retrieved from Internet, URL:amazon.com/Enjoying-Glasses-Protection-Windproof-Sunglasses/dp/B09J4XJXFG/ref=sr\_1\_5 (Year: 2021).\*

“PETLESO Dog Goggles” available Oct. 21, 2021, [online], [site visited Jul. 27, 2022]. Retrieved from Internet, URL:https://www.amazon.com/PETLESO-Goggles-Protection-Sunglasses-Medium/dp/B09JZ8SFL3/ref=sr\_1\_12 (Year: 2021).\*

\* cited by examiner

*Primary Examiner* — Katrina N Gonzalez

(74) *Attorney, Agent, or Firm* — ScienBiziP, P.C.

(57) **CLAIM**

The ornamental design for a pet glasses, as shown and described.

**DESCRIPTION**

FIG. 1 is a front, right, and top perspective view of a pet glasses, showing my design.

FIG. 2 is a rear, left, and bottom perspective view thereof.

FIG. 3 is a front elevation view thereof.

FIG. 4 is a rear elevation view thereof.

FIG. 5 is a left side elevation view thereof.

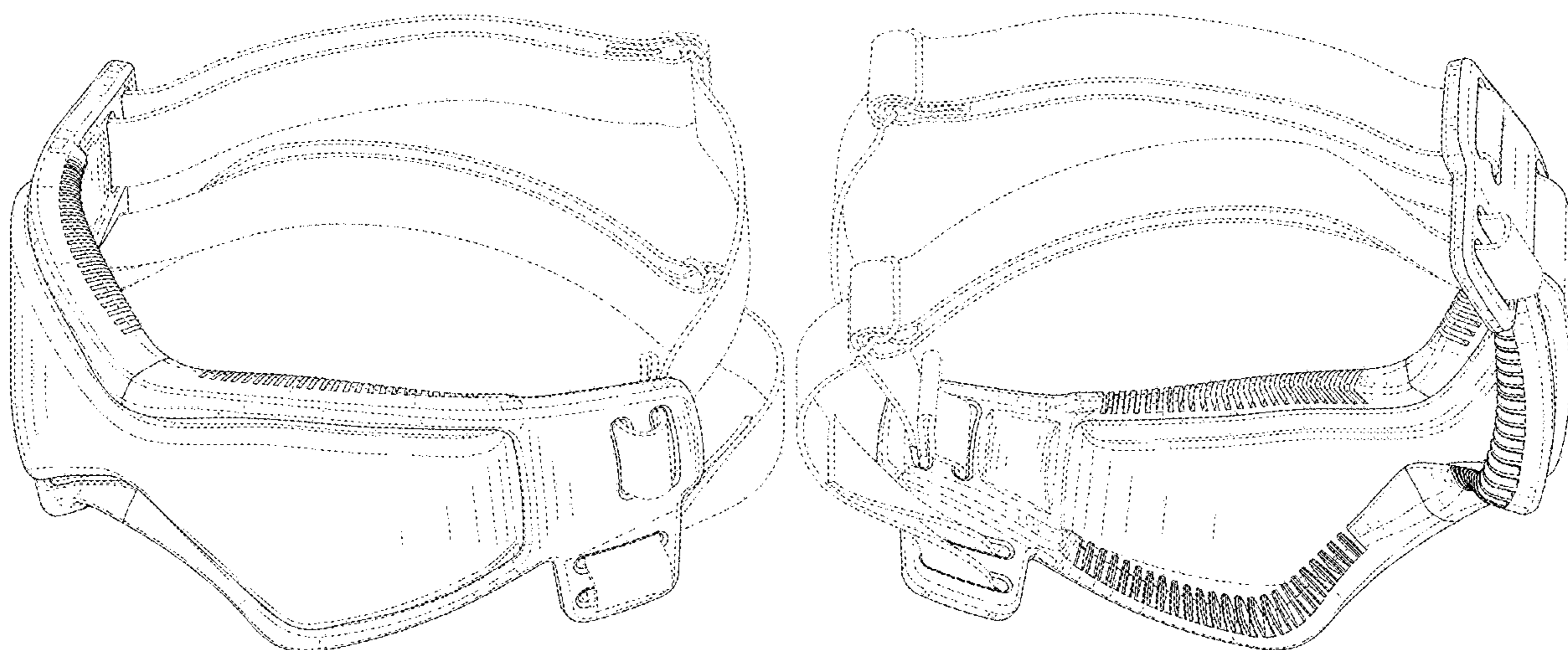
FIG. 6 is a right side elevation view thereof.

FIG. 7 is a top plan view thereof; and,

FIG. 8 is a bottom plan view thereof.

The broken lines shown in the drawings are included for the purpose of illustrating portions of the pet glasses that form no part of the claimed design.

**1 Claim, 8 Drawing Sheets**



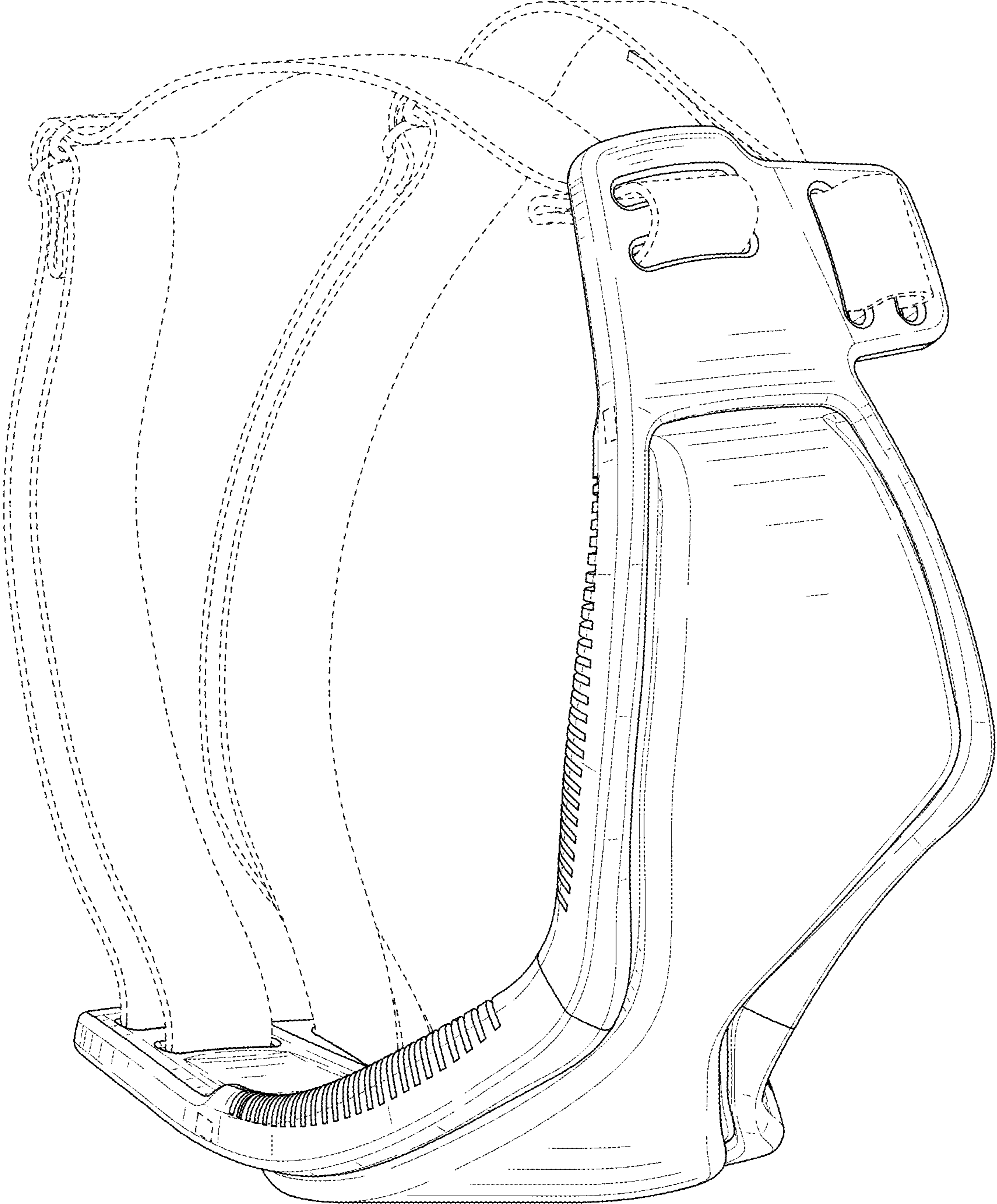


FIG. 1

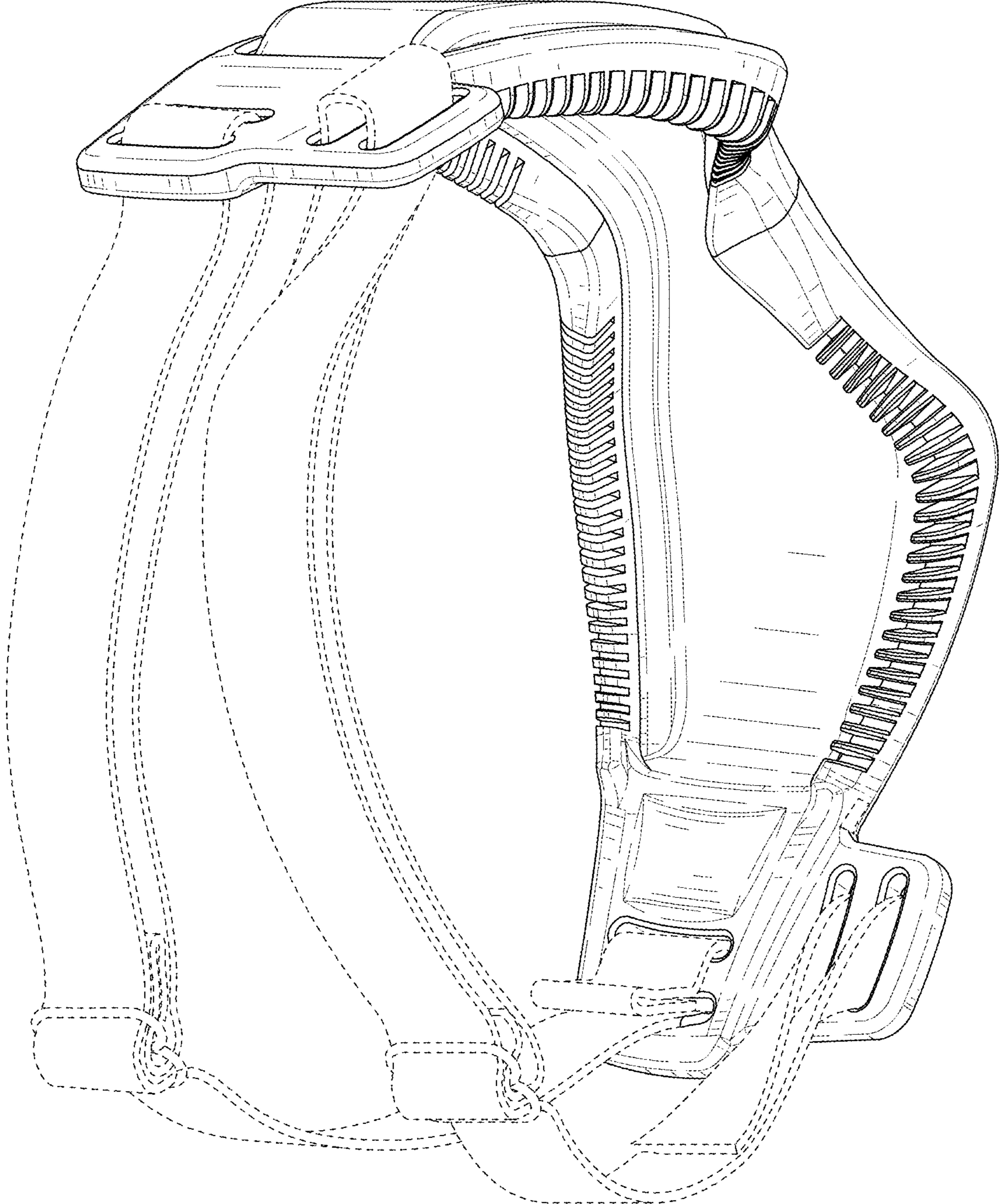


FIG. 2

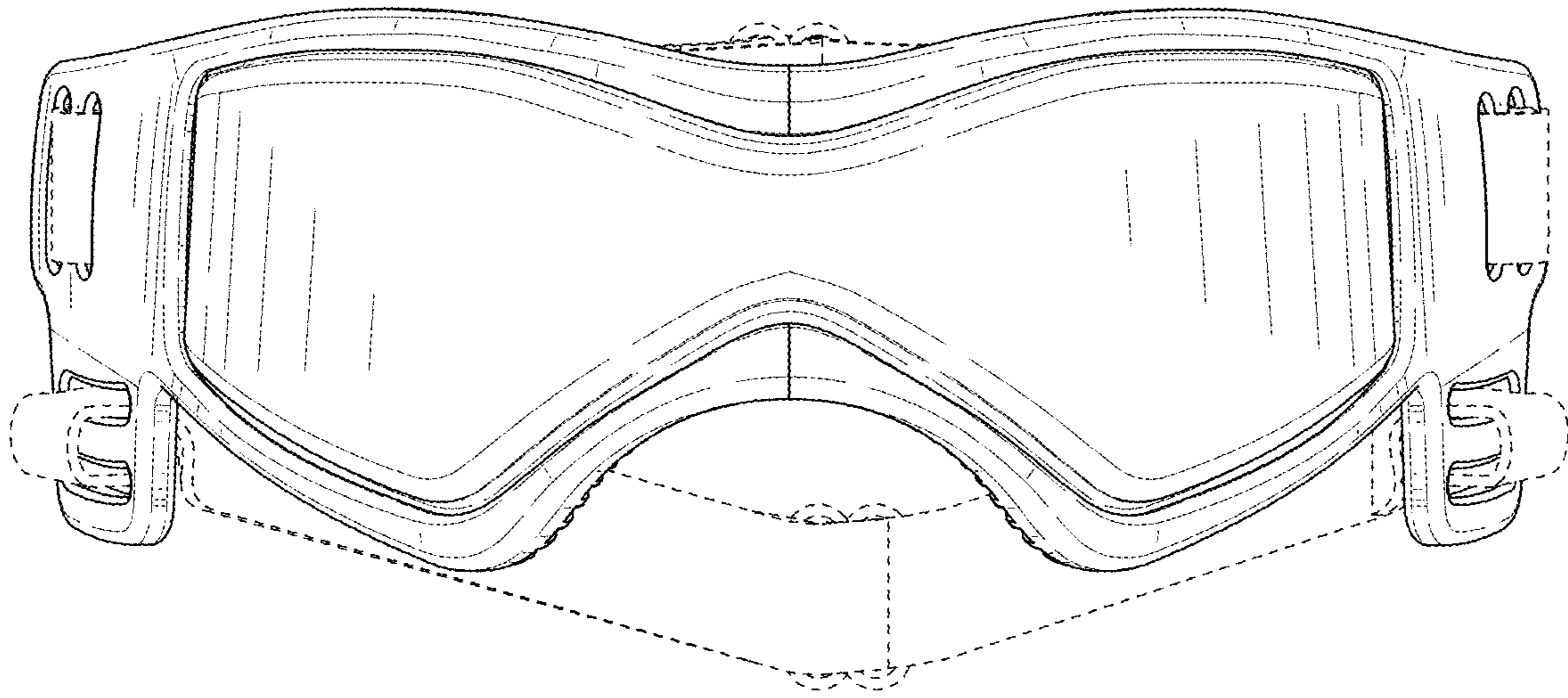


FIG. 3

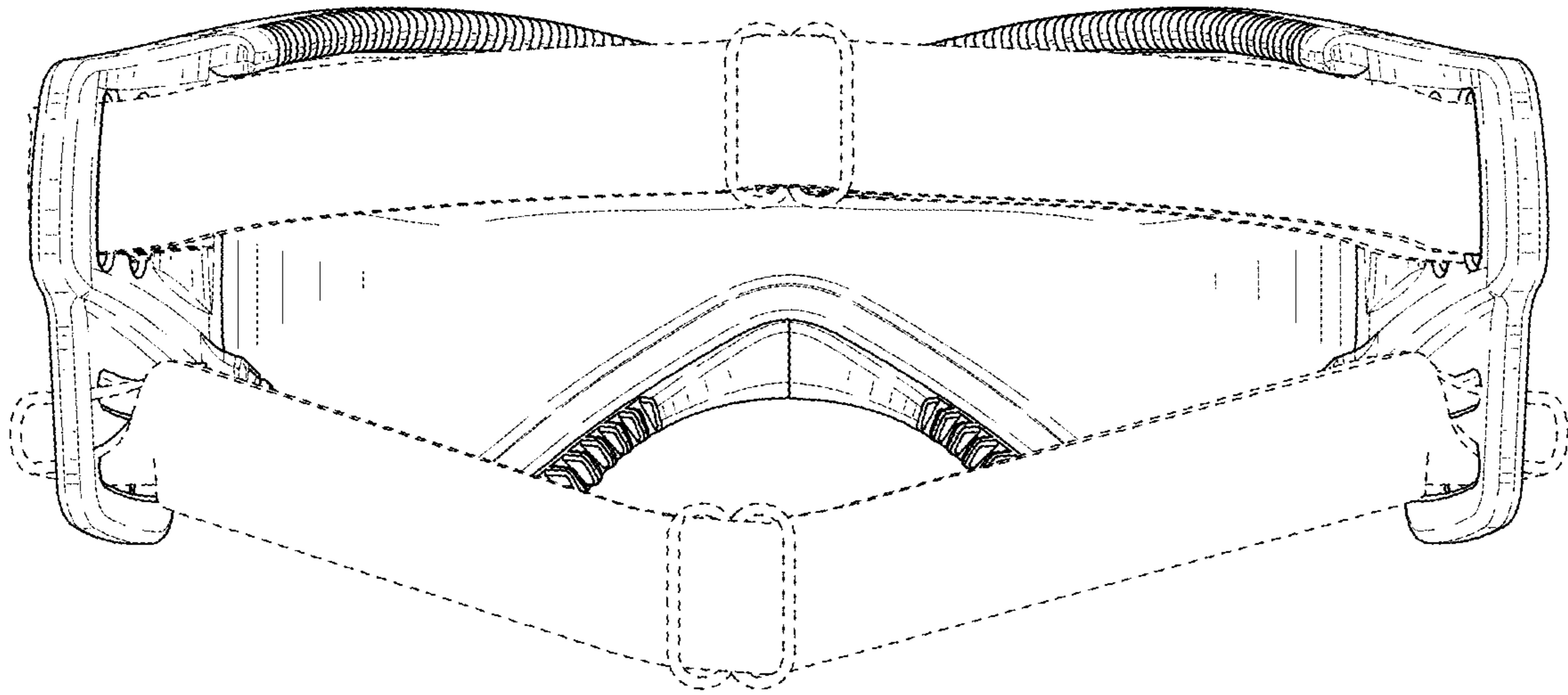


FIG. 4

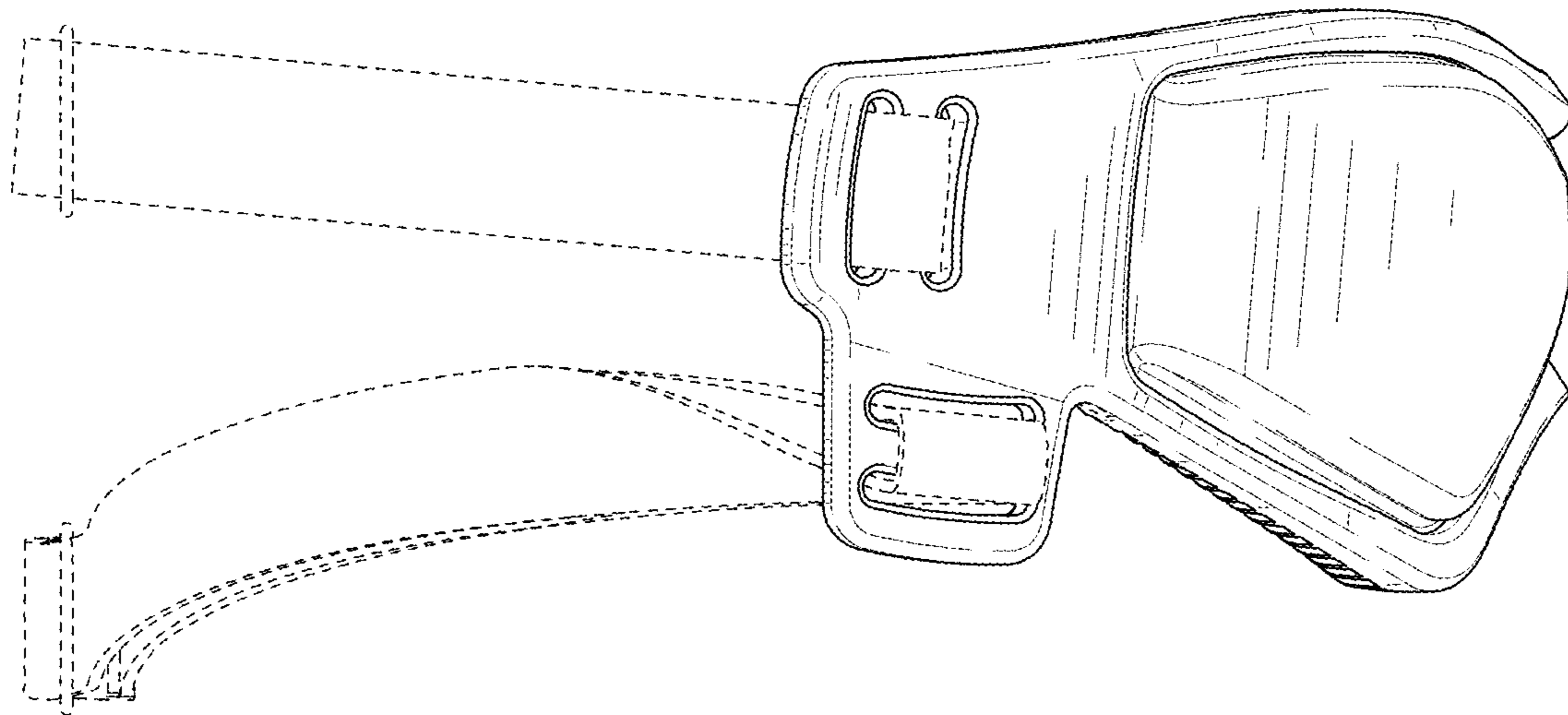


FIG. 5

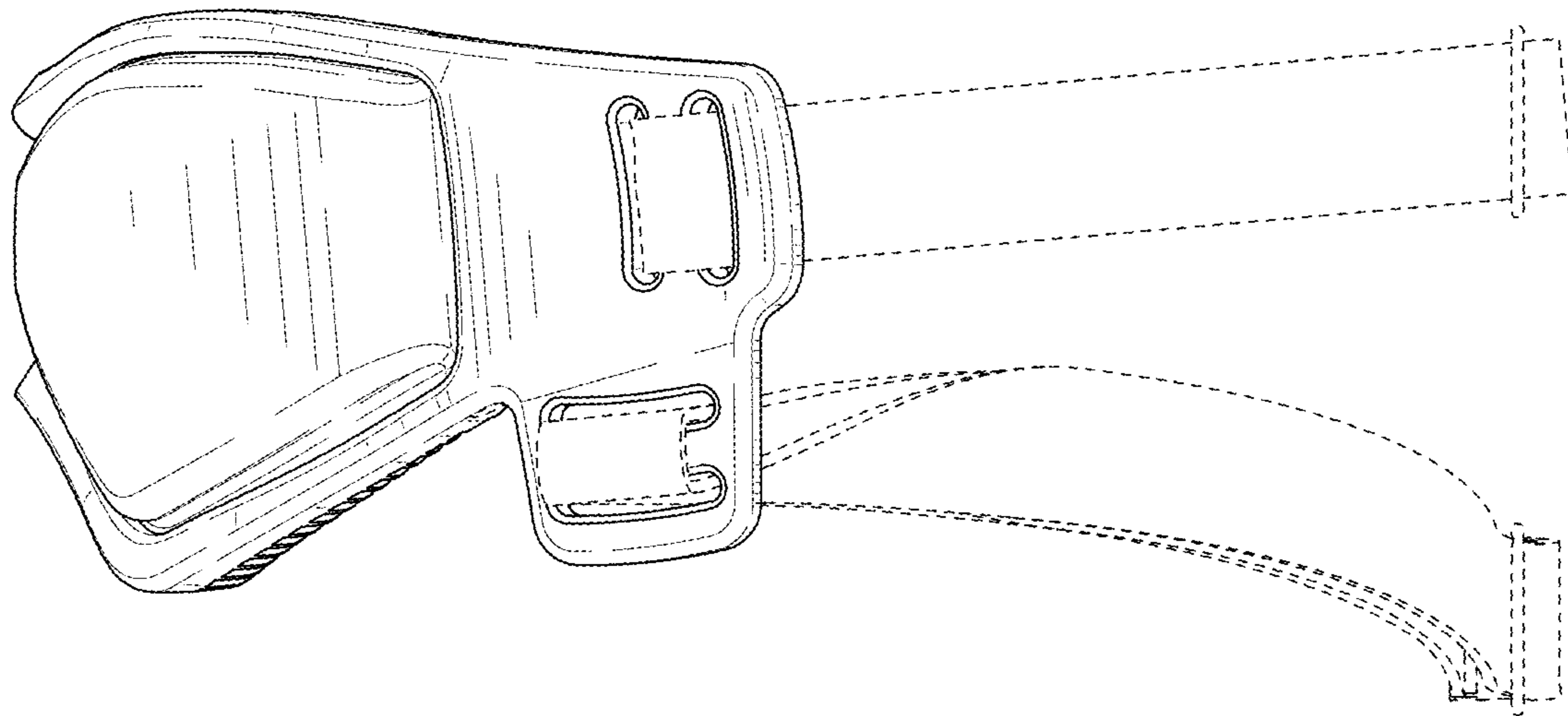


FIG. 6

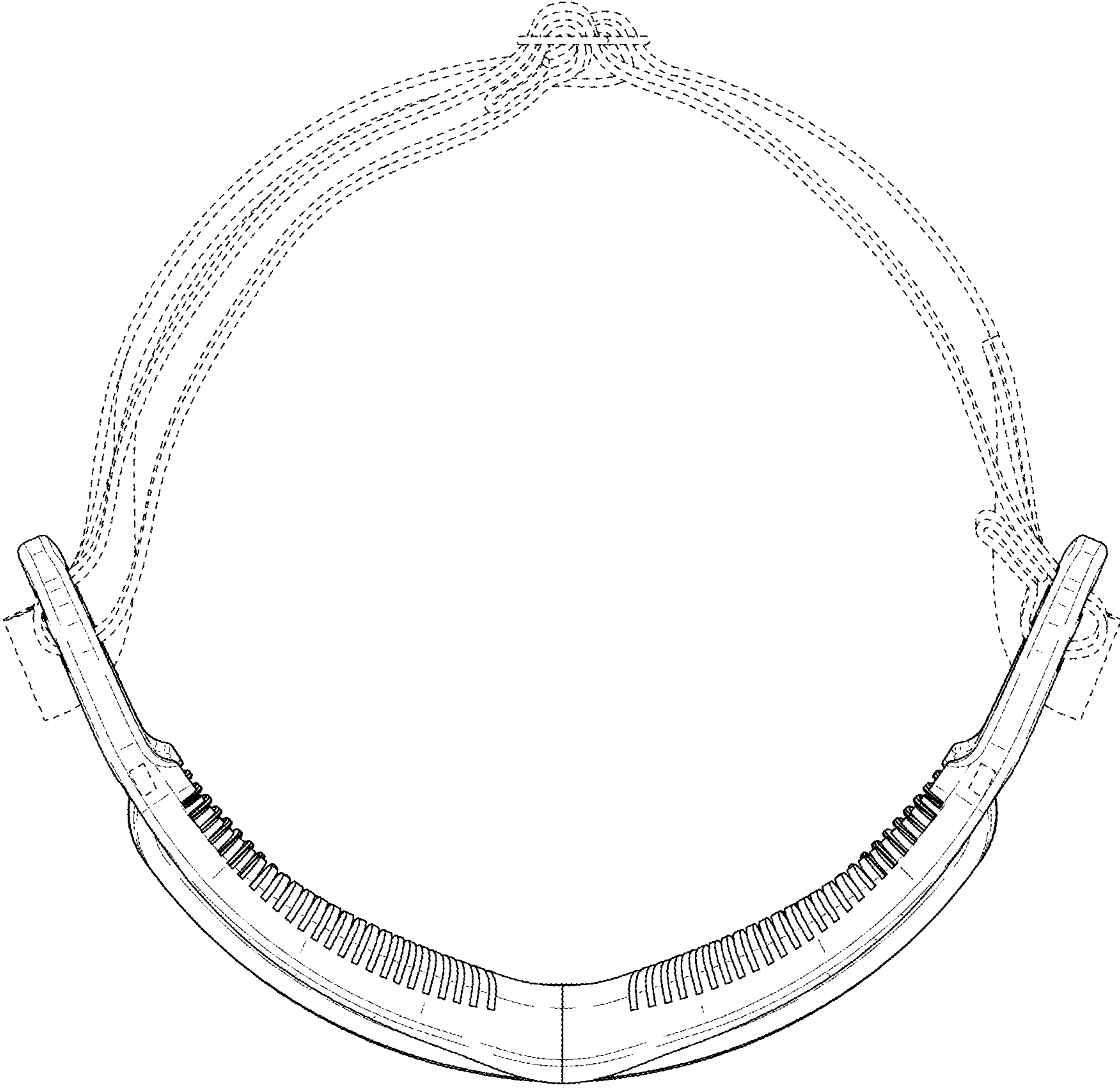


FIG. 7



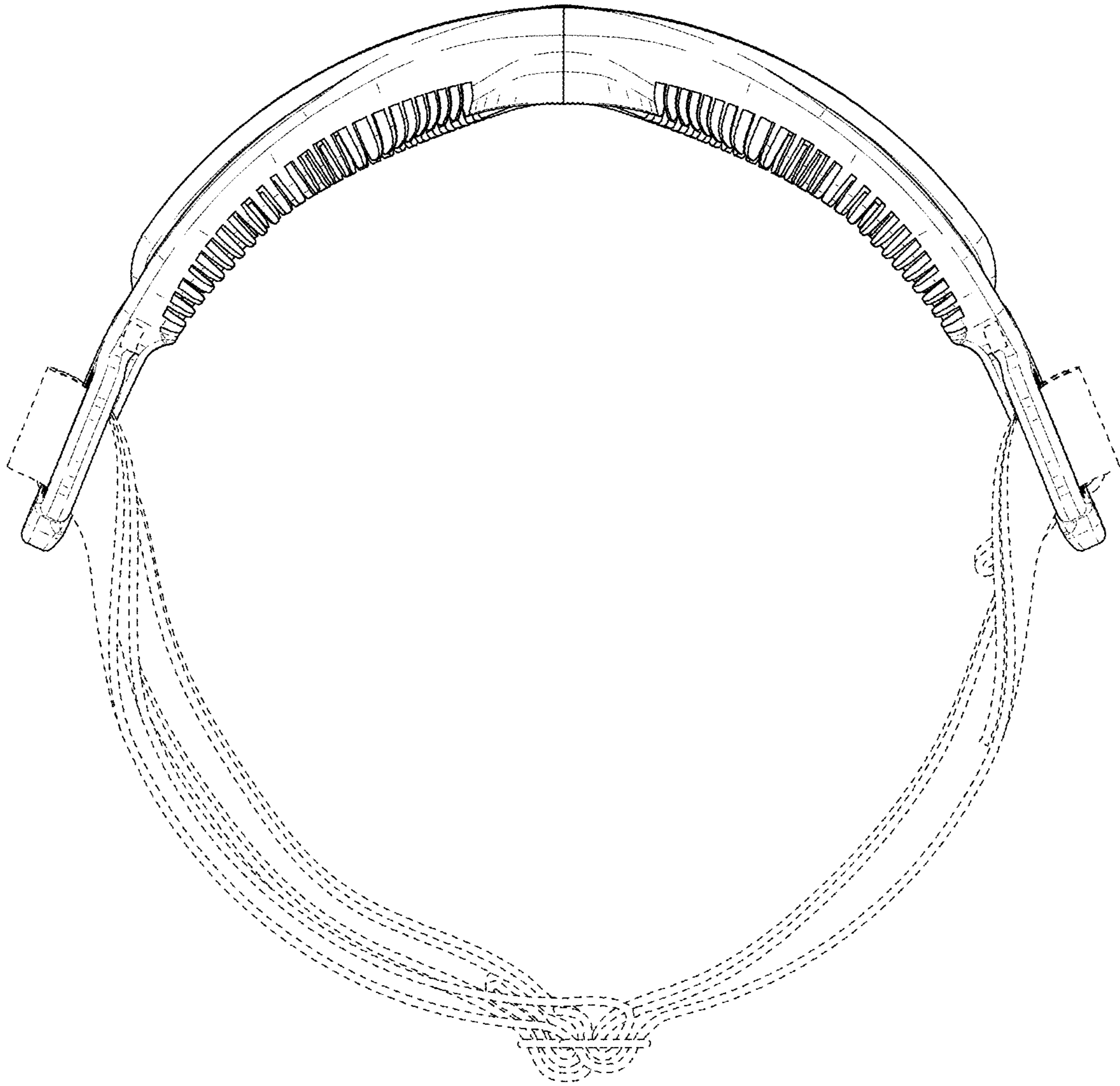


FIG. 8