



US00D977744S

(12) **United States Design Patent** (10) **Patent No.:** **US D977,744 S**
Fan (45) **Date of Patent:** **** Feb. 7, 2023**

(54) **WATER BOWL WITH FLOATING DISK**

(71) Applicant: **Fujian Fan**, Zhoukou (CN)

(72) Inventor: **Fujian Fan**, Zhoukou (CN)

(**) Term: **15 Years**

(21) Appl. No.: **29/813,478**

(22) Filed: **Oct. 29, 2021**

(51) **LOC (14) Cl.** **30-03**

(52) **U.S. Cl.**
USPC **D30/132**

(58) **Field of Classification Search**

USPC D30/121, 122, 129, 130, 131, 132, 133,
D30/199; 119/51.01, 51.02, 51.03, 51.11,
119/51.12, 51.13, 51.5, 52.1, 57, 57.1,
119/57.92, 58, 60, 61.1, 61.5, 61.52,
119/61.54, 61.55, 61.57, 72, 72.5, 73, 74,
119/75, 78, 174

CPC A01K 5/00; A01K 5/0114; A01K 5/0121;
A01K 5/0135; A01K 7/005; A01K 7/00;
A01K 39/02; A01K 39/04; A01K 39/0213

See application file for complete search history.

(56) **References Cited**

U.S. PATENT DOCUMENTS

D682,484 S	5/2013	Selman	
D879,370 S	3/2020	Aznavour	
D912,333 S *	3/2021	Wang	D30/132
D914,998 S *	3/2021	Fan	D30/129
D928,423 S *	8/2021	Tao	D30/132
D929,670 S *	8/2021	Gong	D30/129
D948,136 S *	4/2022	Xu	D30/132
D956,366 S *	6/2022	Liu	D30/132
D958,468 S *	7/2022	Pan	D30/132
D961,171 S *	8/2022	Guan	D30/132

OTHER PUBLICATIONS

“UPSKY Dog Water Bowl” available Jan. 5, 2022, [online], [site visited Sep. 13, 2022]. Retrieved from Internet, URL:https://www.

amazon.com/UPSKY-Feeder-Dispenser-Visible-Drinking/dp/B09PR759VY/ref=sr_1_6?keywords=no%2Bspill%2Bwater%2Bbowls%2Bfor%2Bdogs&qid=1663088114&sr=8-6&th=1 (Year: 2022).*

“Decflow 2L Dog Water Bowl” available Jul. 15, 2022, [online], [site visited Sep. 13, 2022]. Retrieved from Internet, URL:https://www.amazon.com/Decflow-Capacity-Anti-Choking-Vehicle-Carried/dp/B0B6NPLLVV/ref=sr_1_31 (Year: 2022).*

“Pet Life Everspill 2-in-1 Food & Anti-Spill Water Dog & Cat Bowl” available Dec. 14, 2021, [online], [site visited Sep. 13, 2022]. Retrieved from Internet, URL:https://www.chewy.com/pet-life-everpill-2-in-1-food-anti/dp/354752 (Year: 2021).*

“LumoLeaf 70oz Dog Water Bowl” available Mar. 19, 2021, [online], [site visited Sep. 13, 2022]. Retrieved from Internet, URL:https://www.amazon.com/LumoLeaf-Capacity-No-Spill-Dispenser-Replacement/dp/B08ZCPG159/ref=asc_df_B08ZCPG159/ (Year: 2021).*

* cited by examiner

Primary Examiner — Katrina N Gonzalez

(57) **CLAIM**

The ornamental design for a water bowl with floating disk, as shown and described.

DESCRIPTION

FIG. 1 is a perspective view of a water bowl with floating disk showing my new design;

FIG. 2 is another perspective view thereof;

FIG. 3 is a front elevational view thereof;

FIG. 4 is a rear elevational view thereof;

FIG. 5 is a left side elevational view thereof;

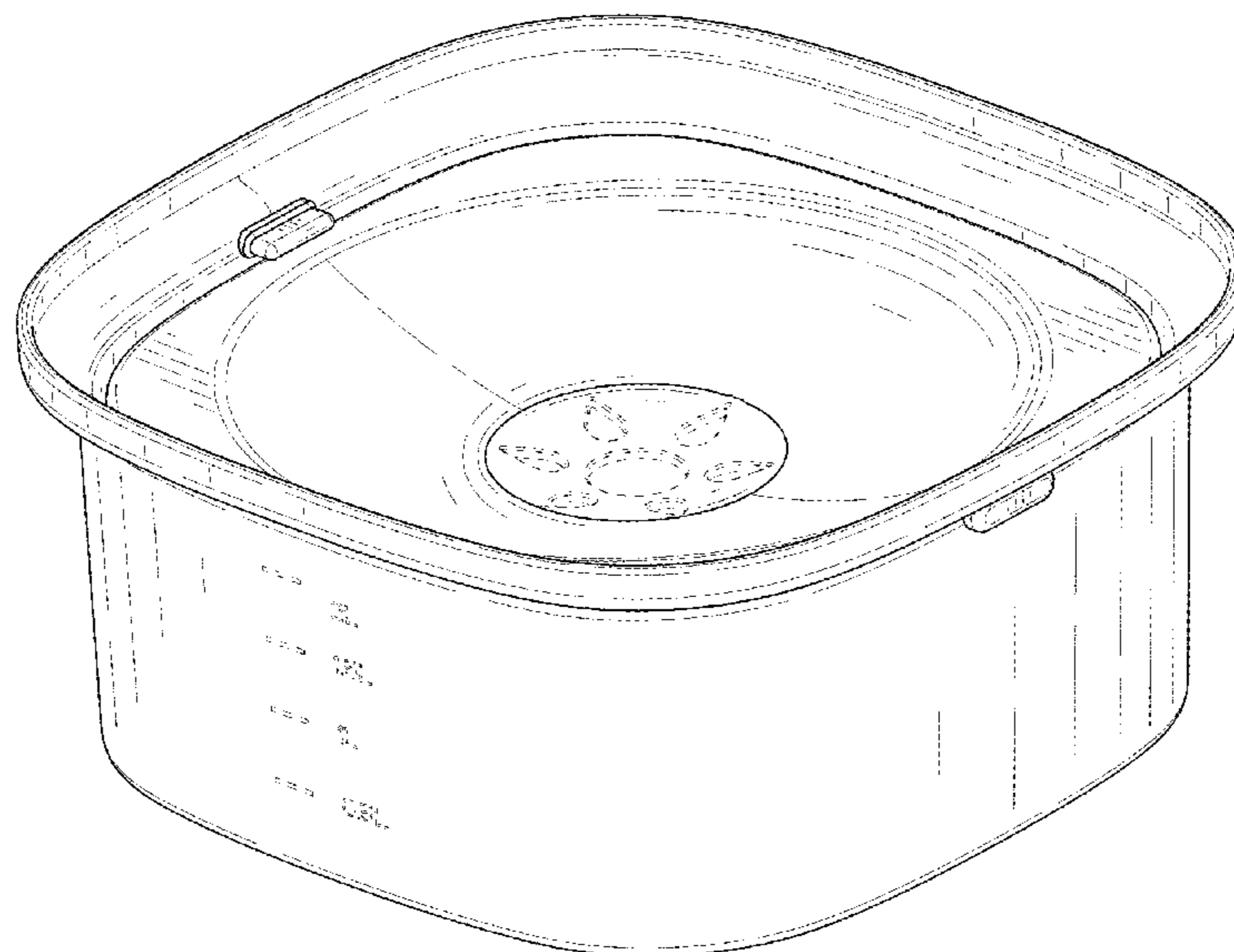
FIG. 6 is a right side elevational view thereof;

FIG. 7 is a top plan view thereof; and,

FIG. 8 is a bottom plan view thereof.

The broken lines in the drawings depict portions of the water bowl with floating disk that form no part of the claimed design.

1 Claim, 8 Drawing Sheets



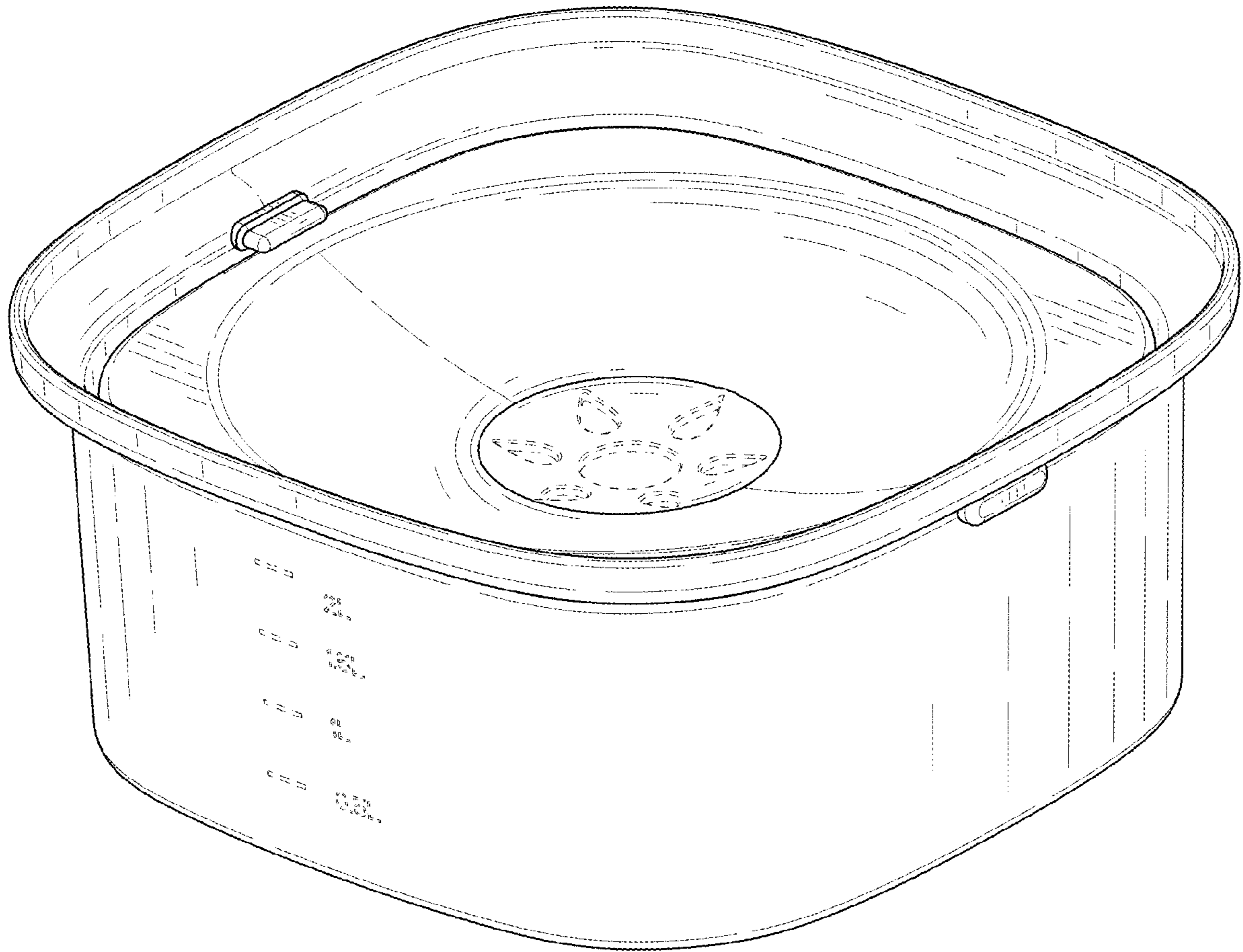


FIG. 1

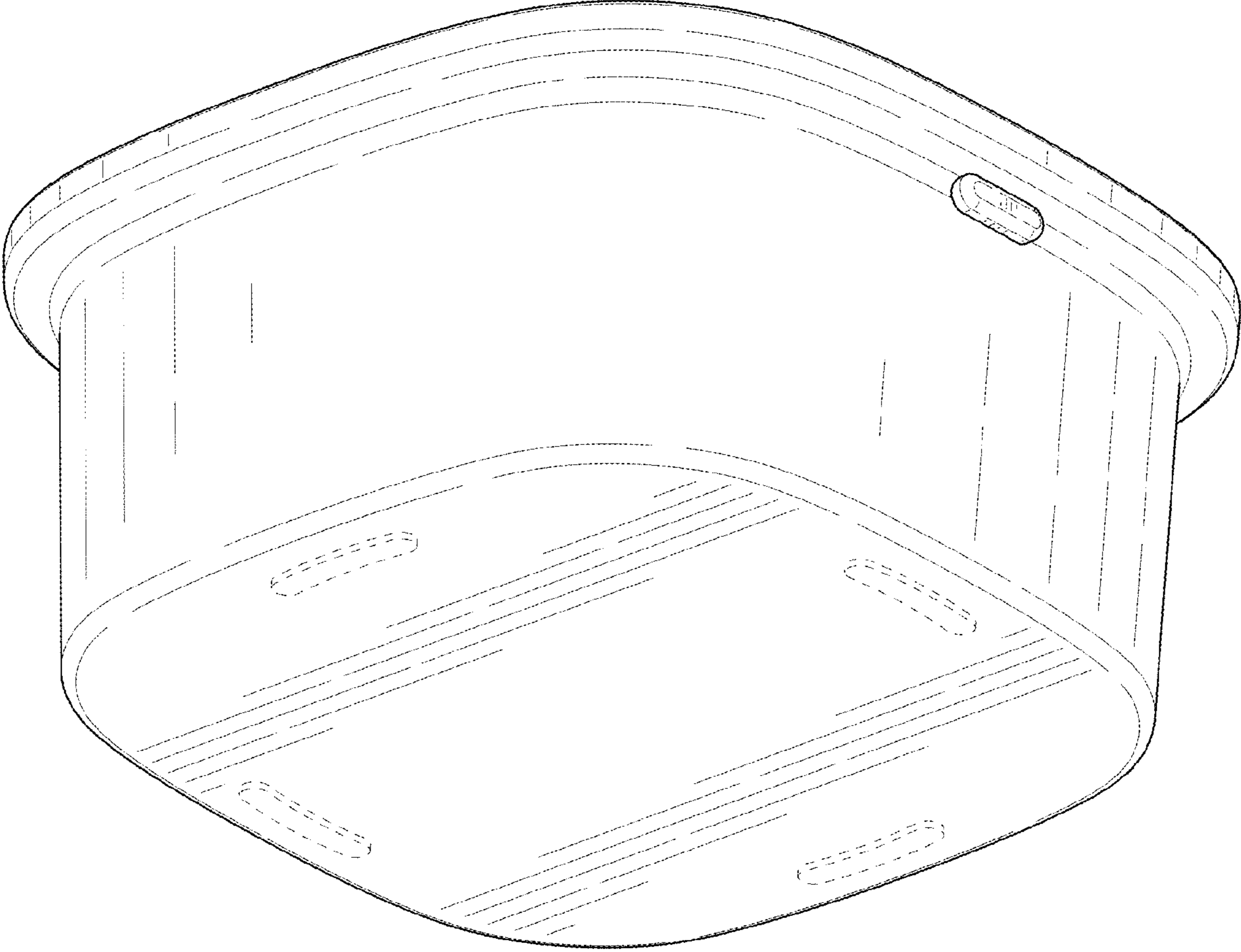


FIG. 2

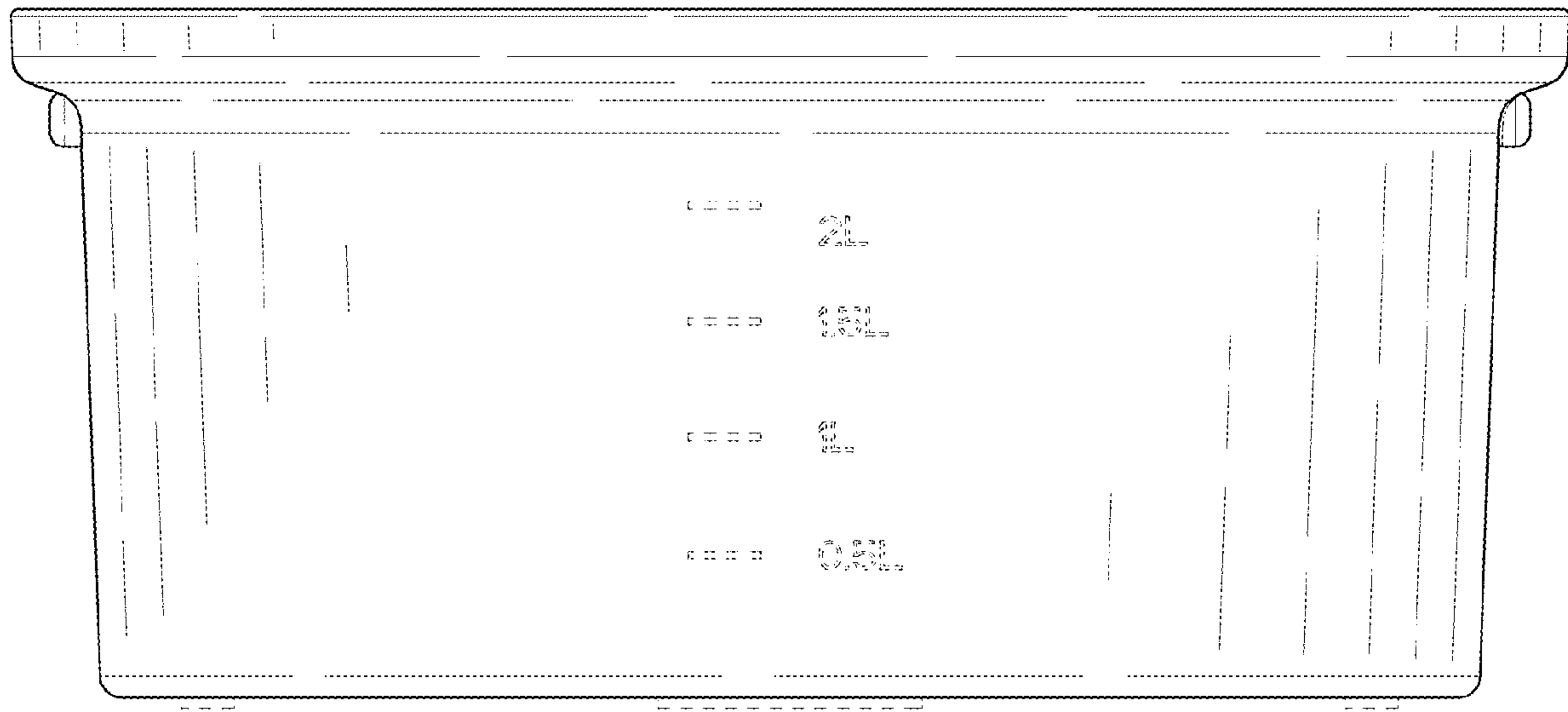


FIG. 3

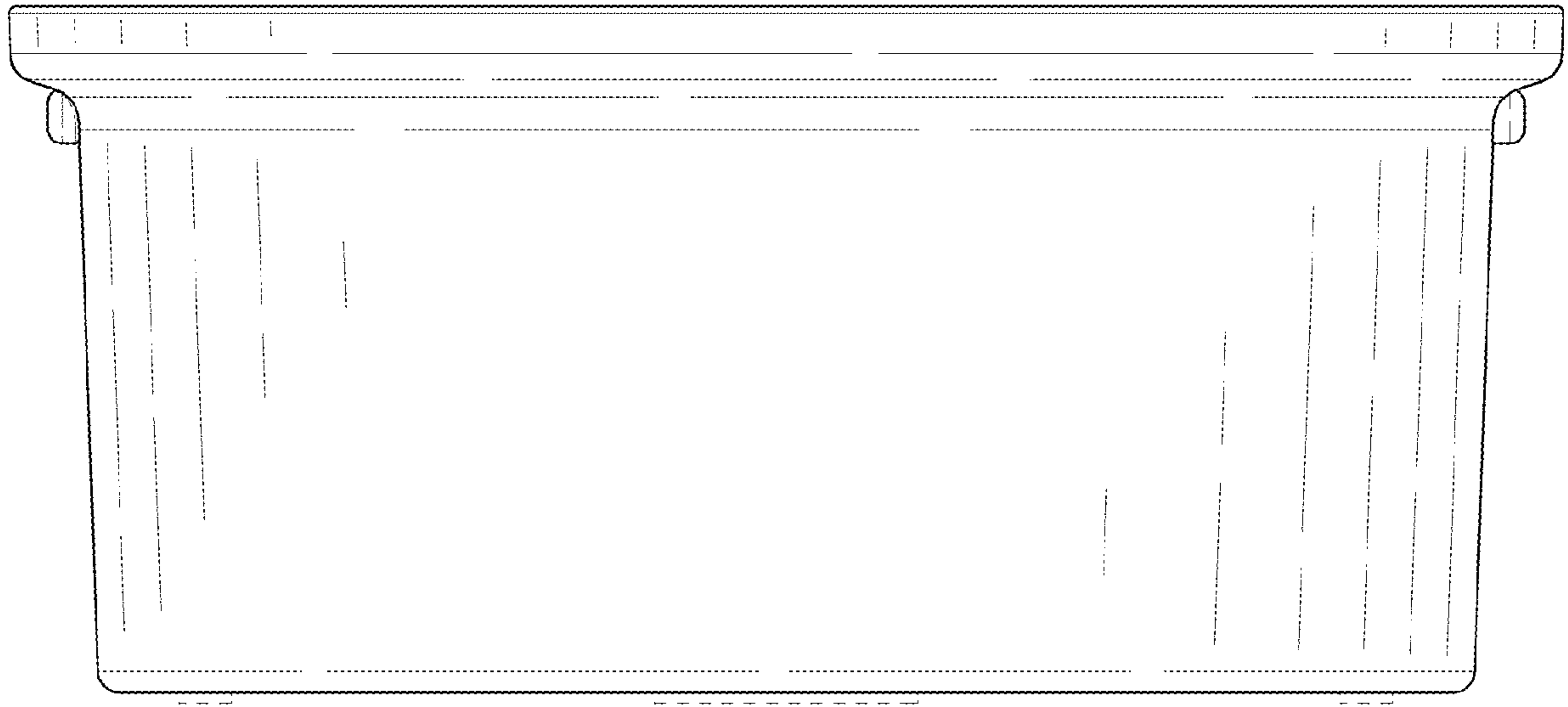


FIG. 4

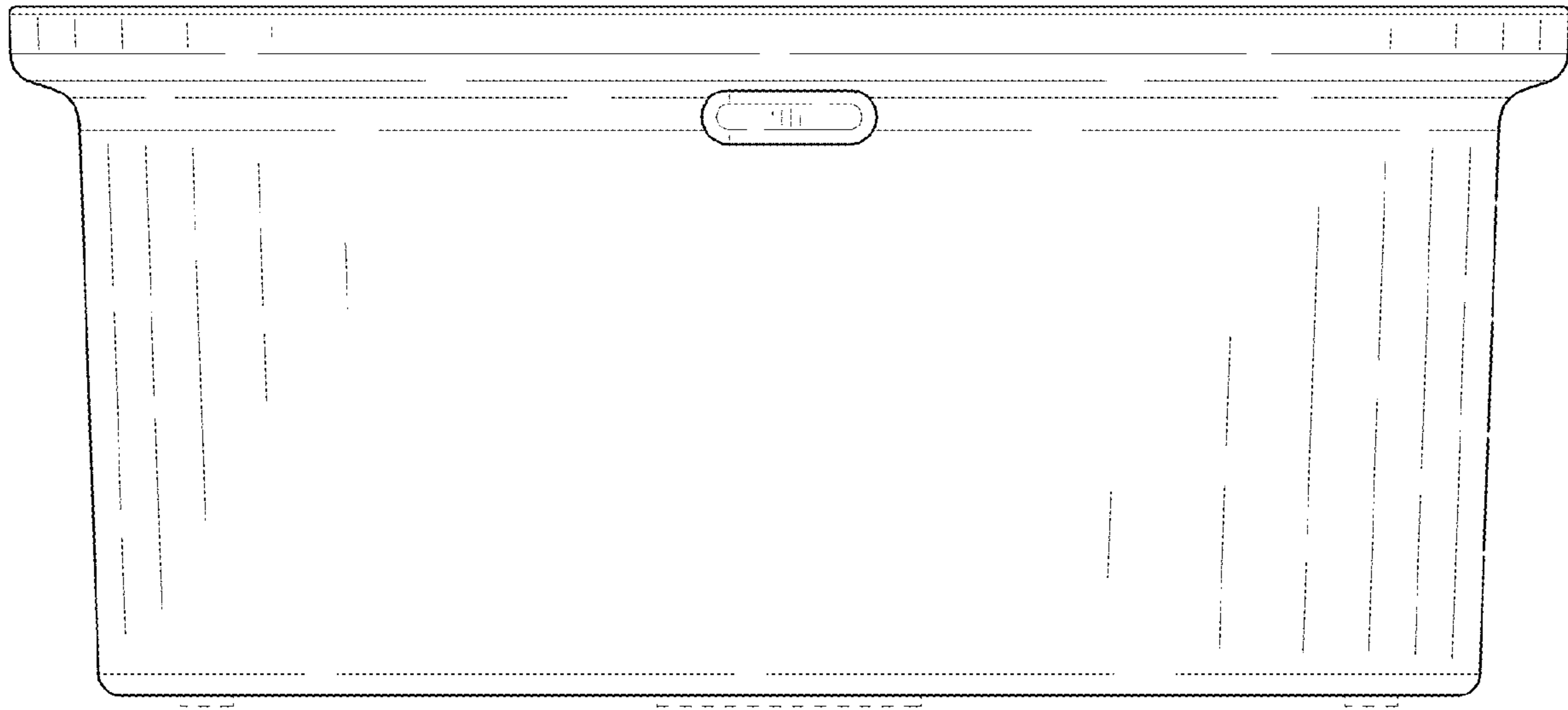


FIG. 5

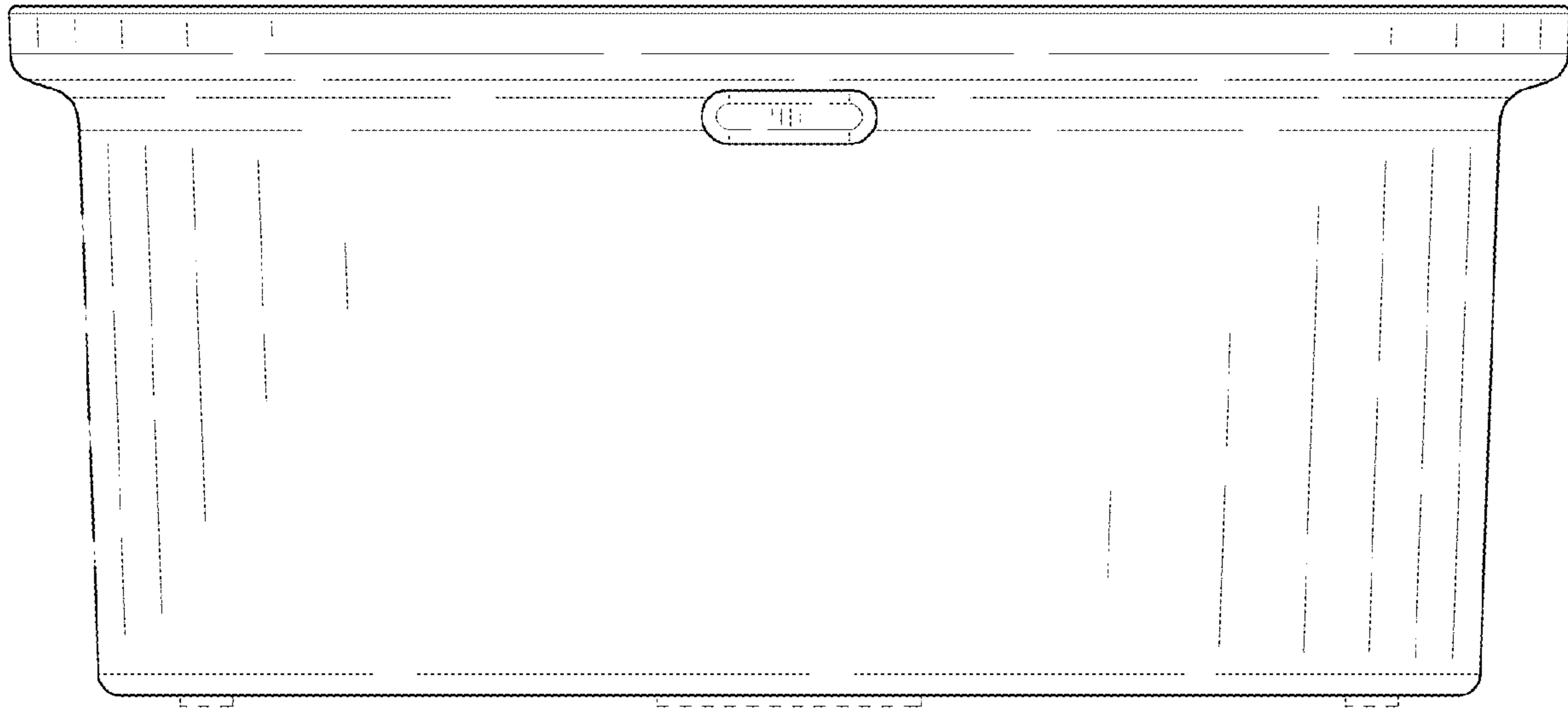


FIG. 6

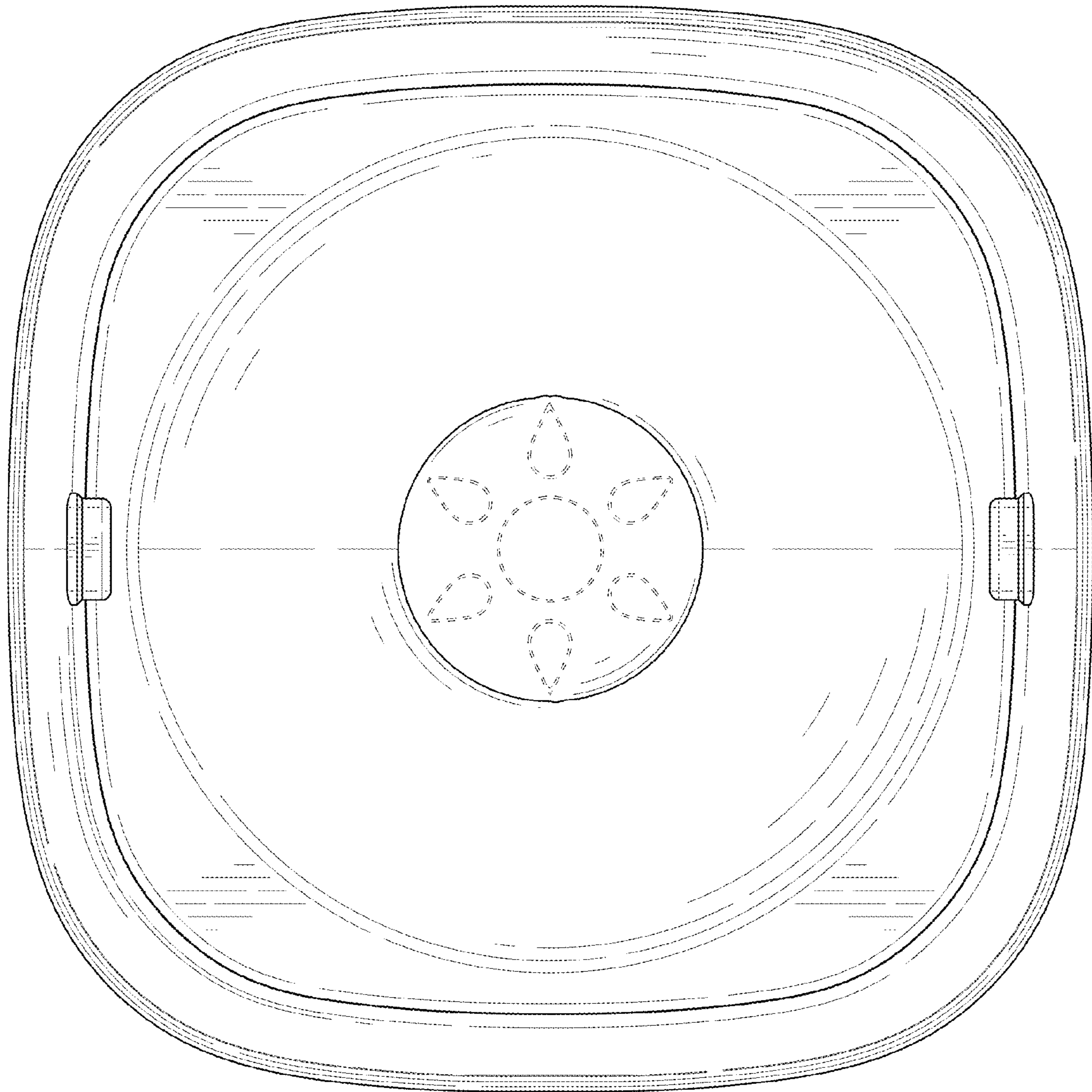


FIG. 7

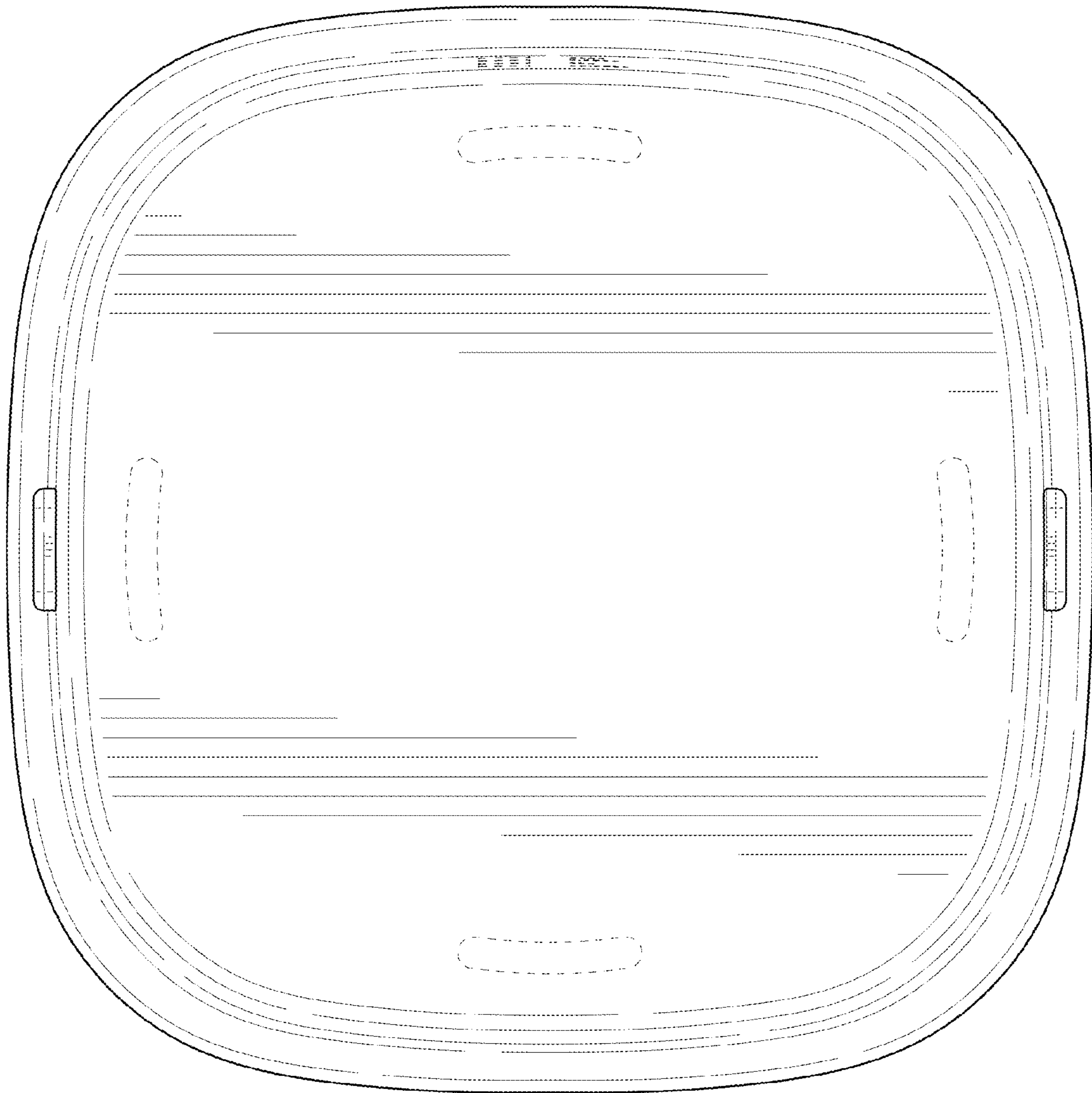


FIG. 8