



US00D977742S

(12) **United States Design Patent**
Rodriguez

(10) **Patent No.:** **US D977,742 S**
(45) **Date of Patent:** **** Feb. 7, 2023**

(54) **STACKED ANIMAL FEEDING BOWLS**

8,397,674 B2 3/2013 Lipscomb et al.
8,776,725 B1 7/2014 Grijalva
D744,174 S 11/2015 Jones et al.

(71) Applicant: **Ginger Marie Rodriguez**, Corpus Christi, TX (US)

(Continued)

(72) Inventor: **Ginger Marie Rodriguez**, Corpus Christi, TX (US)

OTHER PUBLICATIONS

(**) Term: **15 Years**

“2 tiered wood fruit stand” available Jun. 11, 2020, [online], [site visited Feb. 11, 2022]. Retrieved from Internet, URL:https://www.etsy.com/listing/985002077/2-tiered-wood-fruit-stand-2-tier-fruit (Year: 2020).*

(21) Appl. No.: **29/752,894**

(Continued)

(22) Filed: **Sep. 29, 2020**

(51) **LOC (14) Cl.** **30-03**

Primary Examiner — Katrina N Gonzalez

(52) **U.S. Cl.**
USPC **D30/130; D30/129**

(74) *Attorney, Agent, or Firm* — M. Susan Spiering; Dehoa & Associates, P.C.

(58) **Field of Classification Search**
USPC D30/121, 122, 129, 130, 131, 132, 133;
119/51.01, 51.02, 51.03, 51.11, 51.12,
119/51.13, 51.5, 52.1, 57, 57.1, 57.92, 58,
119/60, 61.1, 61.5, 61.52, 61.54, 61.55,
119/61.57, 72, 72.5, 73, 74, 75, 78, 174
CPC A01K 5/00; A01K 5/0114; A01K 5/0121;
A01K 5/0135; A01K 7/005; A01K 7/00;
A01K 39/02; A01K 39/04; A01K 39/0213
See application file for complete search history.

(57) **CLAIM**

The ornamental design for the stacked animal feeding bowls, as shown and described.

DESCRIPTION

A portion of the disclosure of this patent document contains material to which a claim for copyright is made. The copyright owner has no objection to the facsimile reproduction by anyone of the patent document or the patent disclosure as it appears in the Patent and Trademark Office patent file or records, but reserves all other copyright rights whatsoever.

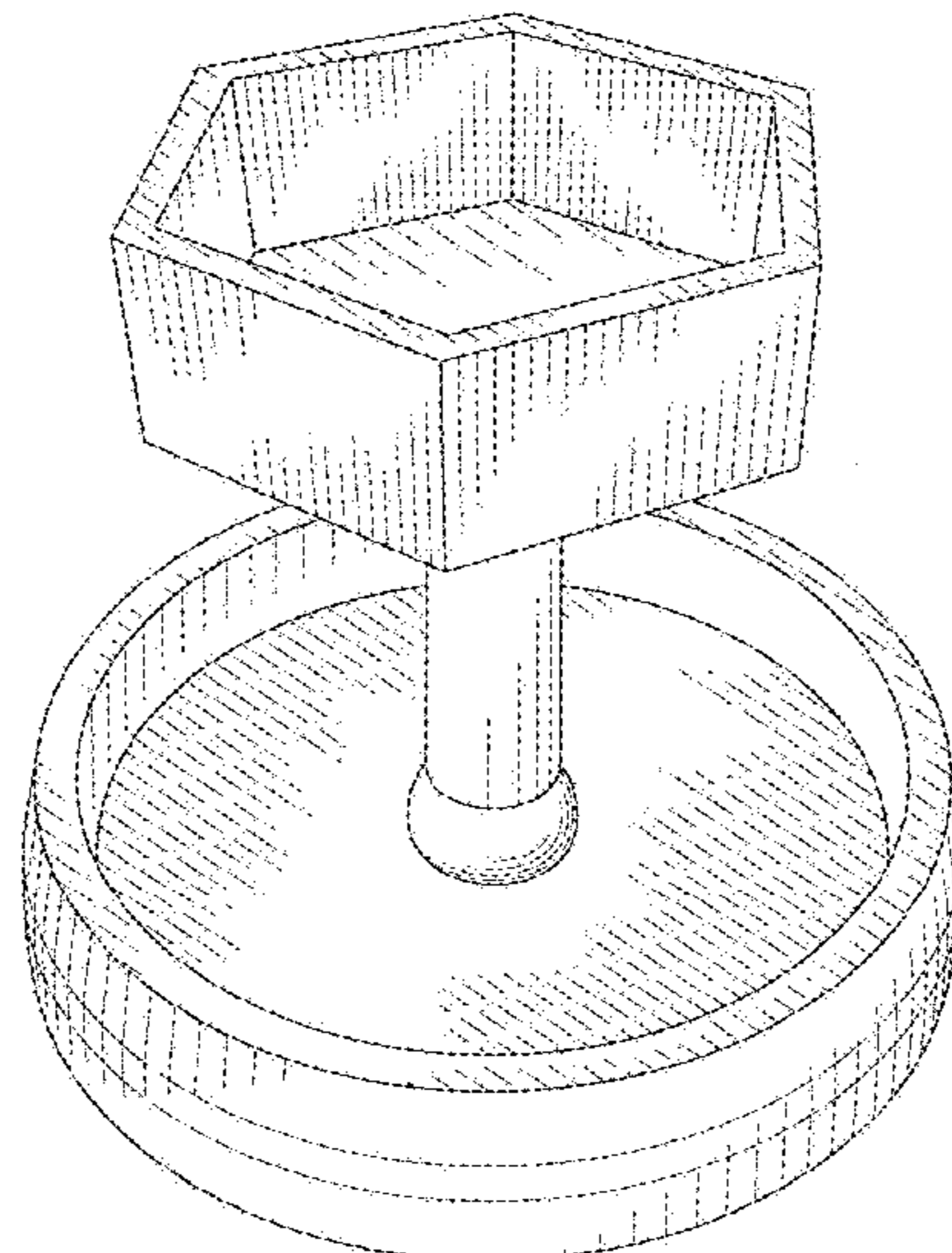
FIG. 1 is a perspective view of the stacked animal feeding bowls;
FIG. 2 is a front elevational view thereof;
FIG. 3 is a right side elevational view thereof;
FIG. 4 is a rear side elevational view and mirror image of FIG. 2;
FIG. 5 is a left side elevational view and mirror image of FIG. 3;
FIG. 6 is a top plan view thereof; and,
FIG. 7 is a bottom plan view thereof.

(56) **References Cited**

U.S. PATENT DOCUMENTS

- 4,399,772 A * 8/1983 Salinas A01K 5/0142
119/51.5
- D273,430 S * 4/1984 Salinas D30/130
- 5,062,390 A * 11/1991 Bescherer A01K 39/0206
119/72
- 5,467,738 A * 11/1995 Cass A01K 5/0142
119/51.5
- 6,125,790 A * 10/2000 Breedwell A01K 5/0142
119/51.5
- 6,311,641 B1 * 11/2001 Johnson A01K 39/014
119/68
- 6,860,229 B1 * 3/2005 Craft A01K 5/0142
119/61.5
- 7,444,958 B2 11/2008 Quinn

1 Claim, 7 Drawing Sheets



(56)

References Cited

U.S. PATENT DOCUMENTS

9,179,644 B2 11/2015 Qiu
D916,389 S * 4/2021 Sharer D30/129
2005/0115508 A1 6/2005 Little
2021/0307300 A1* 10/2021 Lauchner A01K 45/002

OTHER PUBLICATIONS

“Tiered Serving Tray Wood Stand” available Aug. 20, 2021, [online],
[site visited Feb. 11, 2022]. Retrieved from Internet, URL:<https://www.etsy.com/listing/998413766/tiered-serving-tray-wood-stand-for>
(Year: 2021).*

* cited by examiner

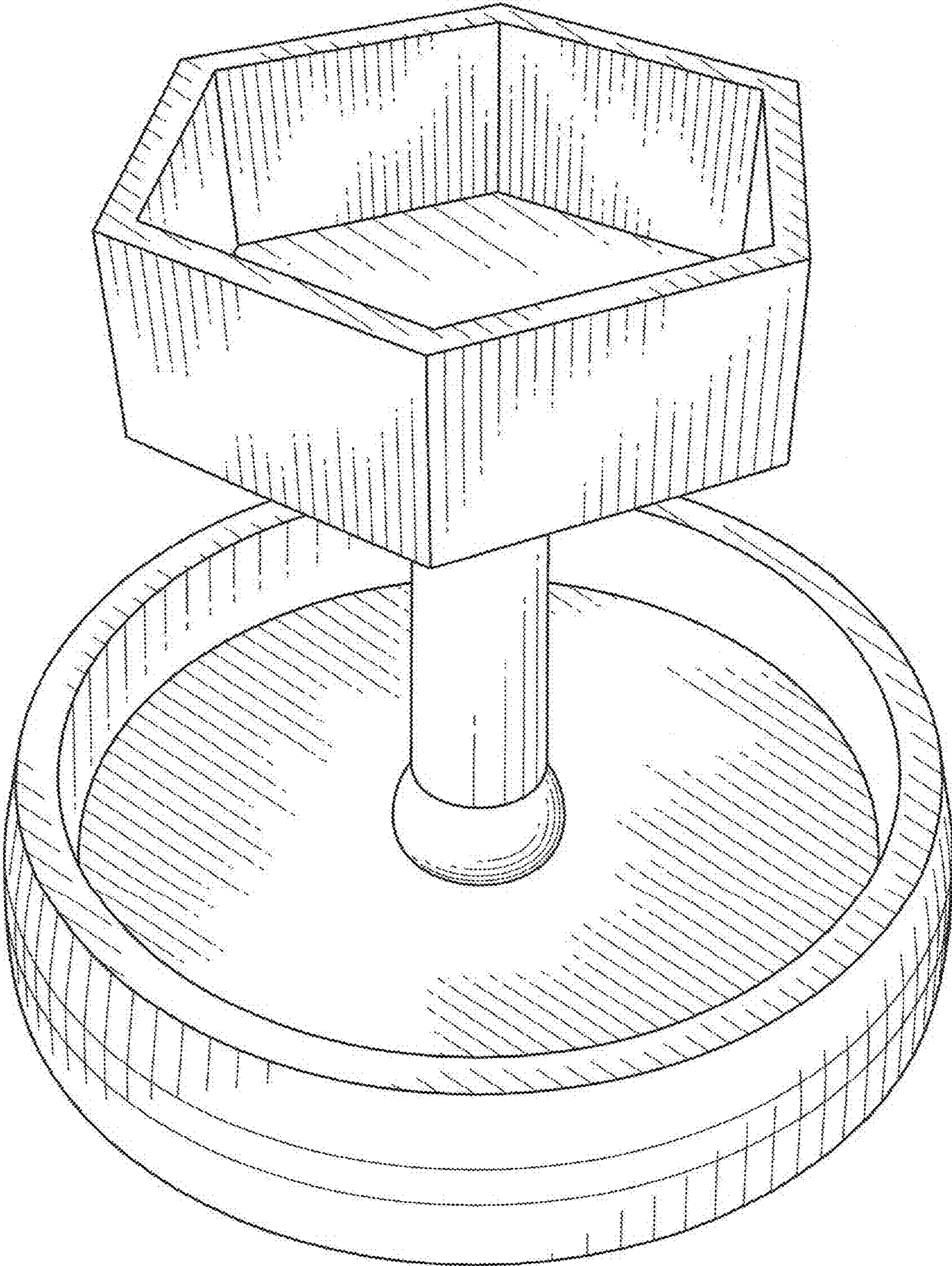


FIG. 1

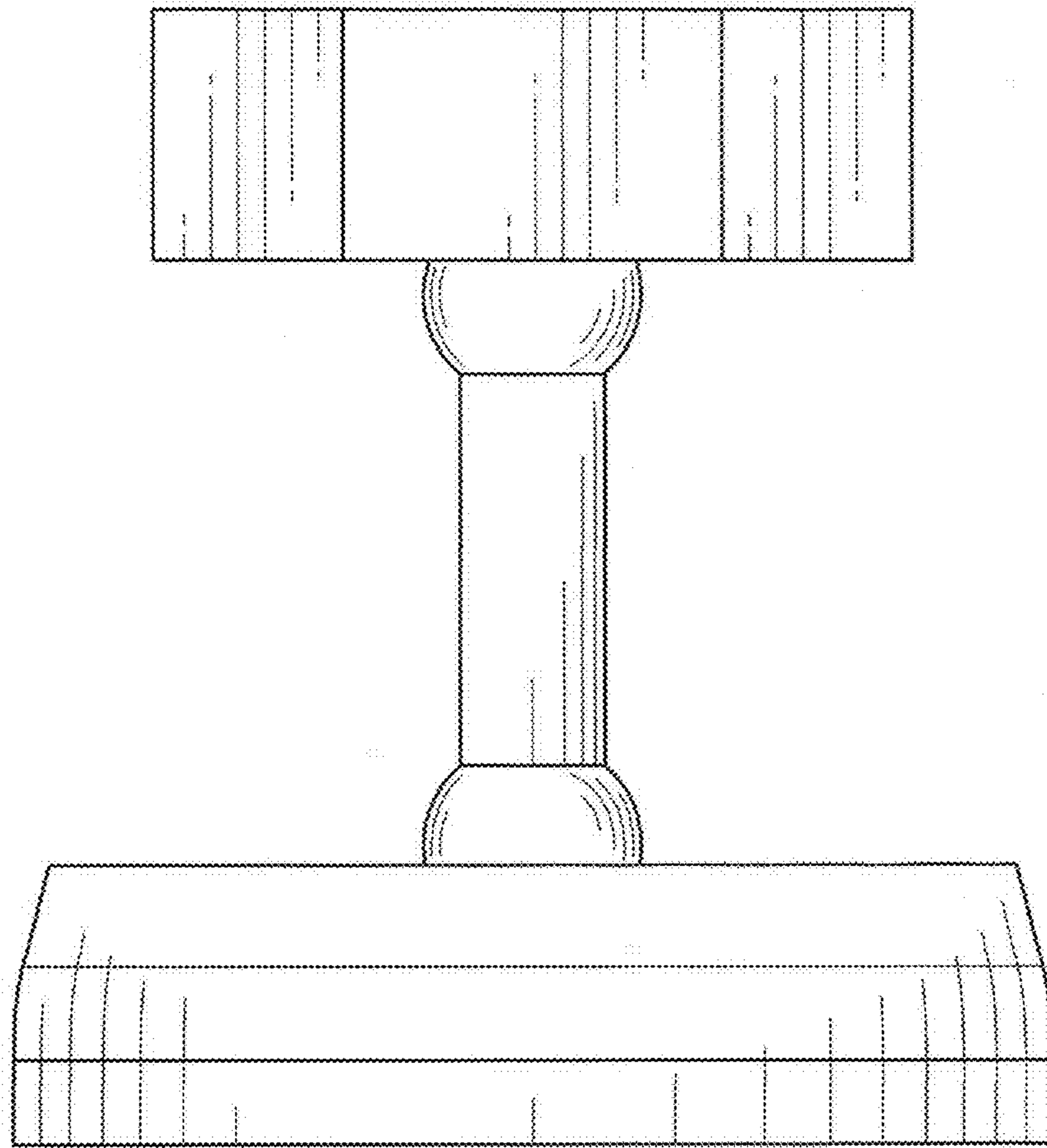


FIG. 2

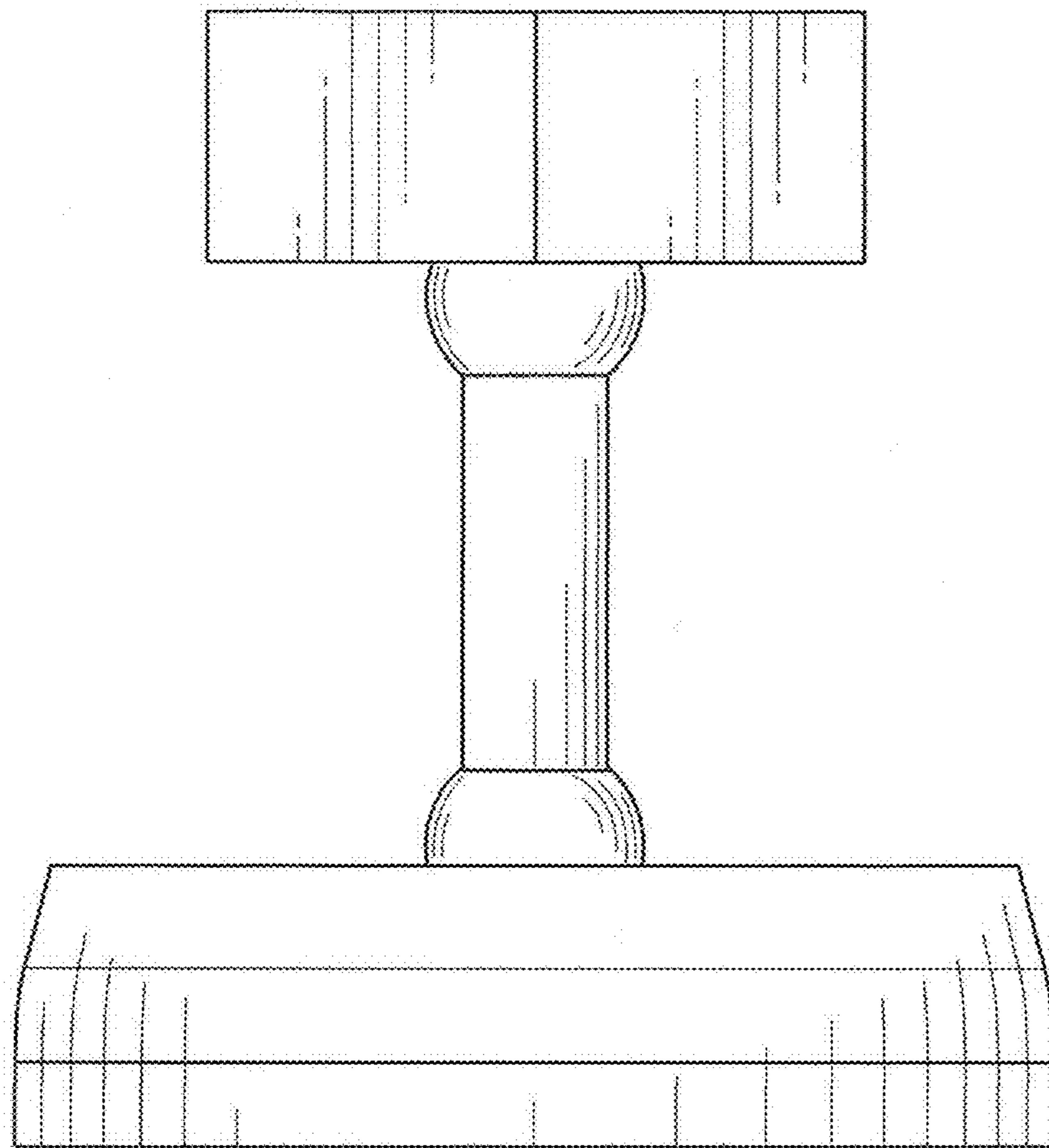


FIG. 3

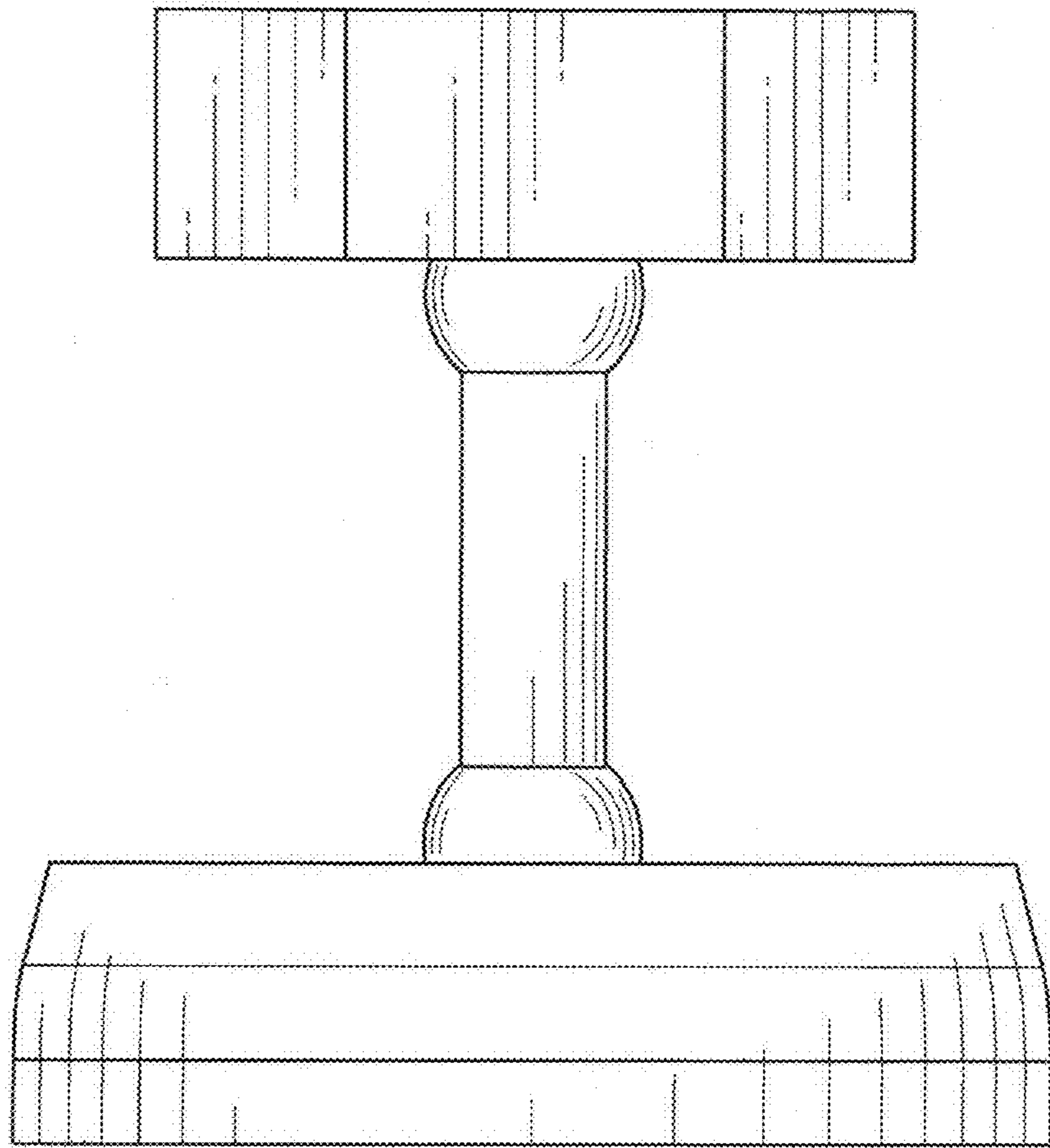


FIG. 4

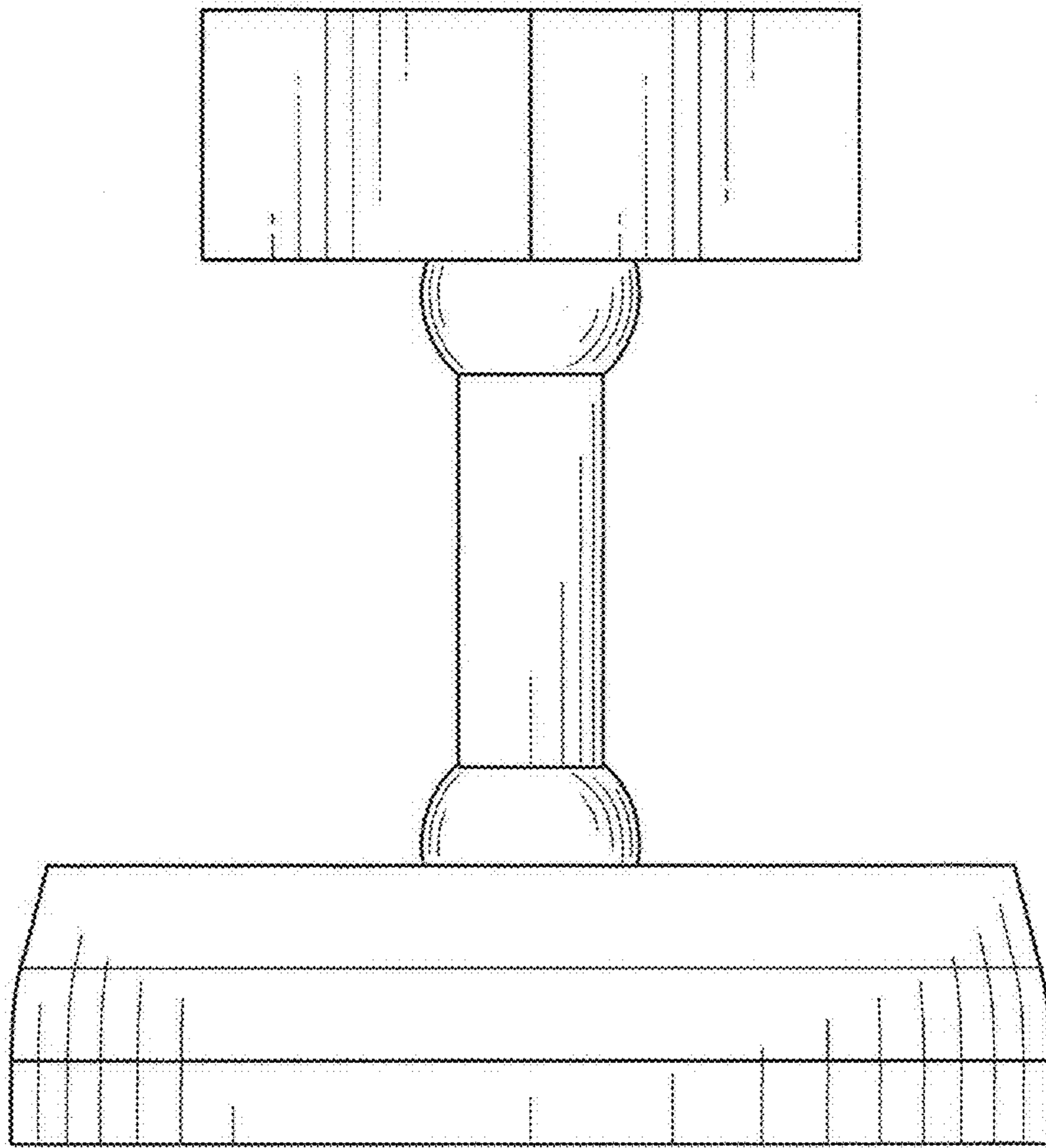


FIG. 5

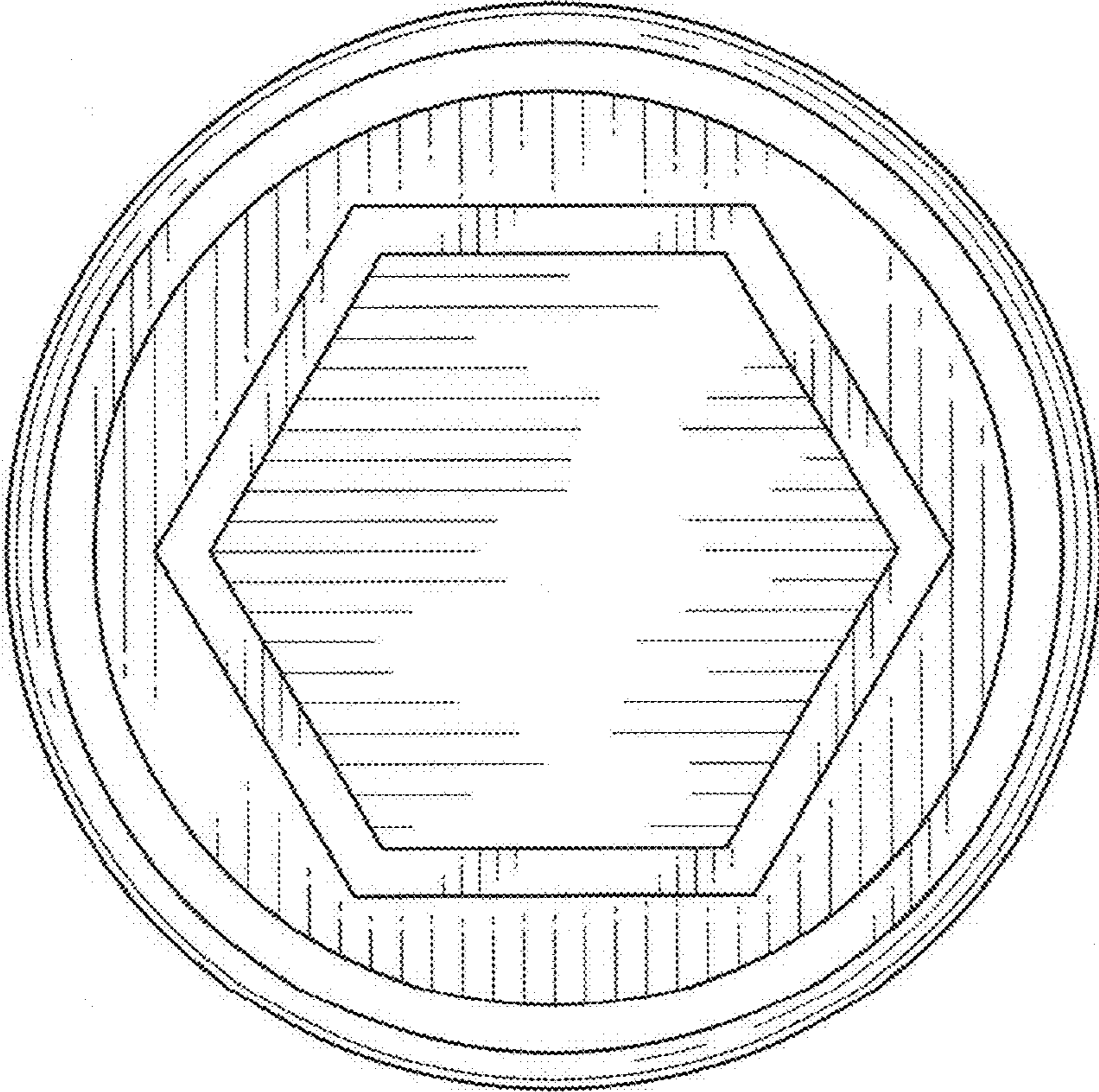


FIG. 6

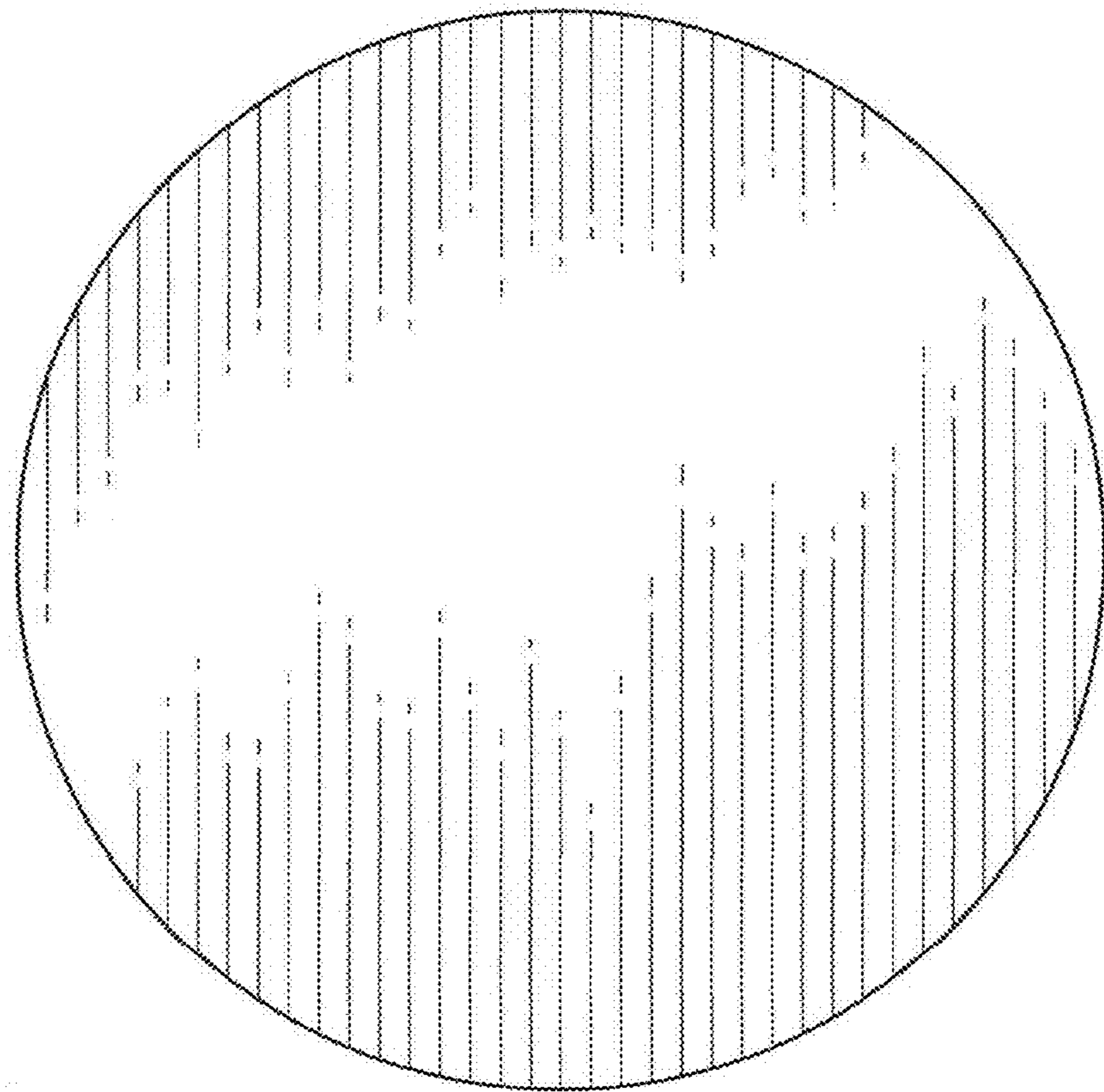


FIG. 7