



US00D977741S

(12) **United States Design Patent**  
**Li**

(10) **Patent No.:** **US D977,741 S**

(45) **Date of Patent:** **\*\* Feb. 7, 2023**

(54) **PET BOWL**

(71) Applicant: **Weiming Li**, Shaoyang (CN)

(72) Inventor: **Weiming Li**, Shaoyang (CN)

(\*\*) Term: **15 Years**

(21) Appl. No.: **29/815,647**

(22) Filed: **Nov. 16, 2021**

(51) **LOC (14) Cl.** ..... **30-03**

(52) **U.S. Cl.**  
USPC ..... **D30/129**

(58) **Field of Classification Search**

USPC ..... D30/121, 122, 129, 130, 131, 132, 133,  
D30/199; 119/51.01, 51.02, 51.03, 51.11,  
119/51.12, 51.13, 51.5, 52.1, 57, 57.1,  
119/57.92, 58, 60, 61.1, 61.5, 61.52,  
119/61.54, 61.55, 61.57, 72, 72.5, 73, 74,  
119/75, 78, 174

CPC ..... A01K 5/00; A01K 5/0114; A01K 5/0121;  
A01K 5/0135; A01K 7/005; A01K 7/00;  
A01K 39/02; A01K 39/04; A01K 39/0213

See application file for complete search history.

(56) **References Cited**

**U.S. PATENT DOCUMENTS**

D38,718 S *	8/1907	Barron	.....	D30/129
2,928,372 A *	3/1960	Farley	.....	A01K 5/0135
				D30/129
D590,551 S *	4/2009	Sperbeck	.....	D30/129
D601,310 S *	9/2009	Greenan	.....	D30/129
D777,992 S *	1/2017	Tsengas	.....	D30/129
D872,380 S	1/2020	Liu		
D899,707 S *	10/2020	MacNeil	.....	D30/129
D901,095 S *	11/2020	MacNeil	.....	D30/129
D918,488 S	5/2021	Kerr et al.		

**FOREIGN PATENT DOCUMENTS**

CN 307127650 \* 2/2022

**OTHER PUBLICATIONS**

“Personalized Pet Bowls” available Sep. 26, 2022, [online], [site visited Sep. 26, 2022]. Retrieved from Internet, URL:https://www.pugga.net/product/pet-bottle-bowl/personalized-pet-bowls-slow-dog-food-raised-elevated-stand-eat-set-tilted-pottery-large-bowl.html (Year: 2022).\*

“Pet Double Raised Cat Food Cute Bowls” available Sep. 26, 2022, [online], [site visited Sep. 26, 2022]. Retrieved from Internet, URL:https://www.alibaba.com/product-detail/Pet-Double-Raised-Cat-Food-Cute\_1600338429332.html (Year: 2022).\*

“Raised Cat Bowl Puppy Bowl” available Apr. 12, 2022, [online], [site visited Sep. 26, 2022]. Retrieved from Internet, URL:https://www.amazon.com/SUOXU-Stainless-Cervical-15%C2%B0Tilted-Non-Slip/dp/B098NP2PB2/ref=sxin\_14\_pa\_sp\_search\_thematic\_sspa (Year: 2022).\*

“Liefgarden Dog Bowls” available Apr. 26, 2021, [online], [site visited Sep. 26, 2022]. Retrieved from Internet, URL:https://www.amazon.com/Stainless-Non-Skid-Tilted-Protect-420mlx2/dp/B093GSG4X9/ref=sr\_1\_51 (Year: 2021).\*

\* cited by examiner

*Primary Examiner* — W. A. Teddy Falloway

*Assistant Examiner* — Katrina N Gonzalez

(57) **CLAIM**

The ornamental design for a pet bowl, as shown and described.

**DESCRIPTION**

FIG. 1 is a perspective view of a pet bowl showing my new design;

FIG. 2 is another perspective view thereof;

FIG. 3 is a front elevational view thereof;

FIG. 4 is a rear elevational view thereof;

FIG. 5 is a left side elevational view thereof;

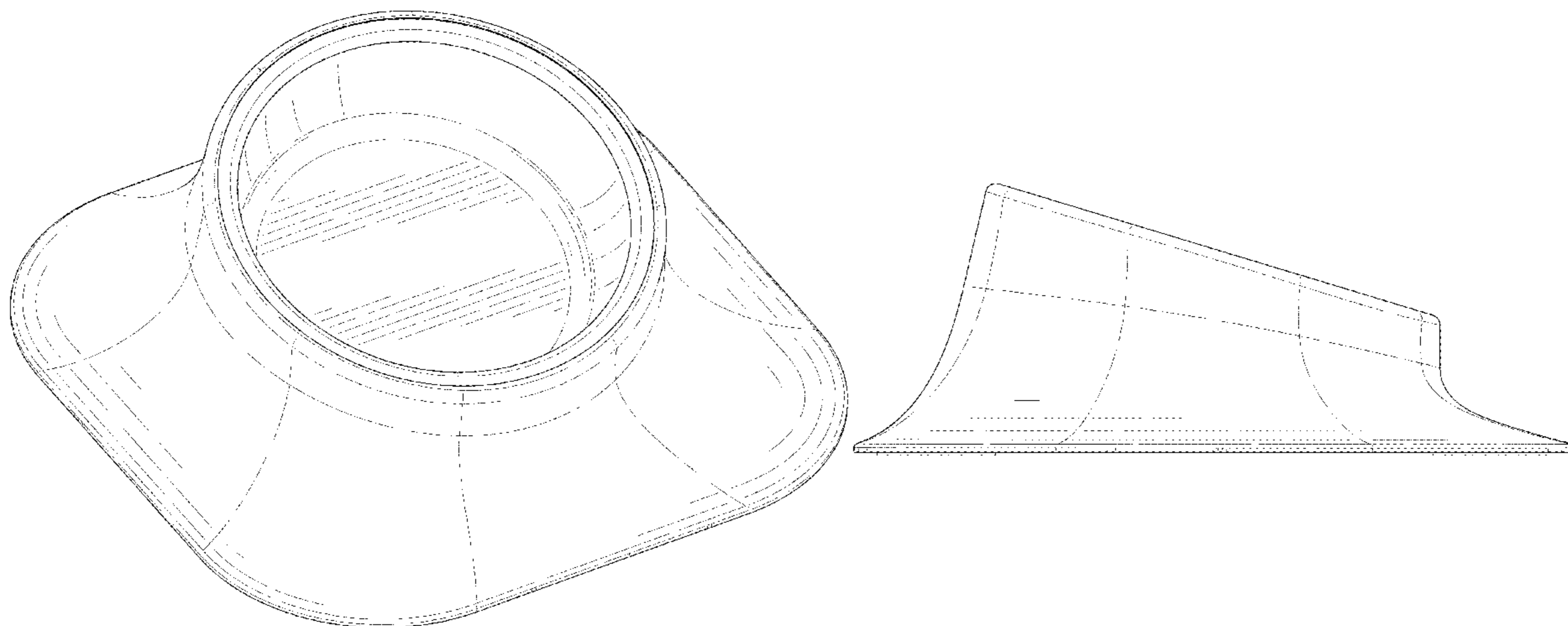
FIG. 6 is a right side elevational view thereof;

FIG. 7 is a top plan view thereof; and,

FIG. 8 is a bottom plan view thereof.

The broken lines in the drawings depict portions of the pet bowl that form no part of the claimed design.

**1 Claim, 8 Drawing Sheets**



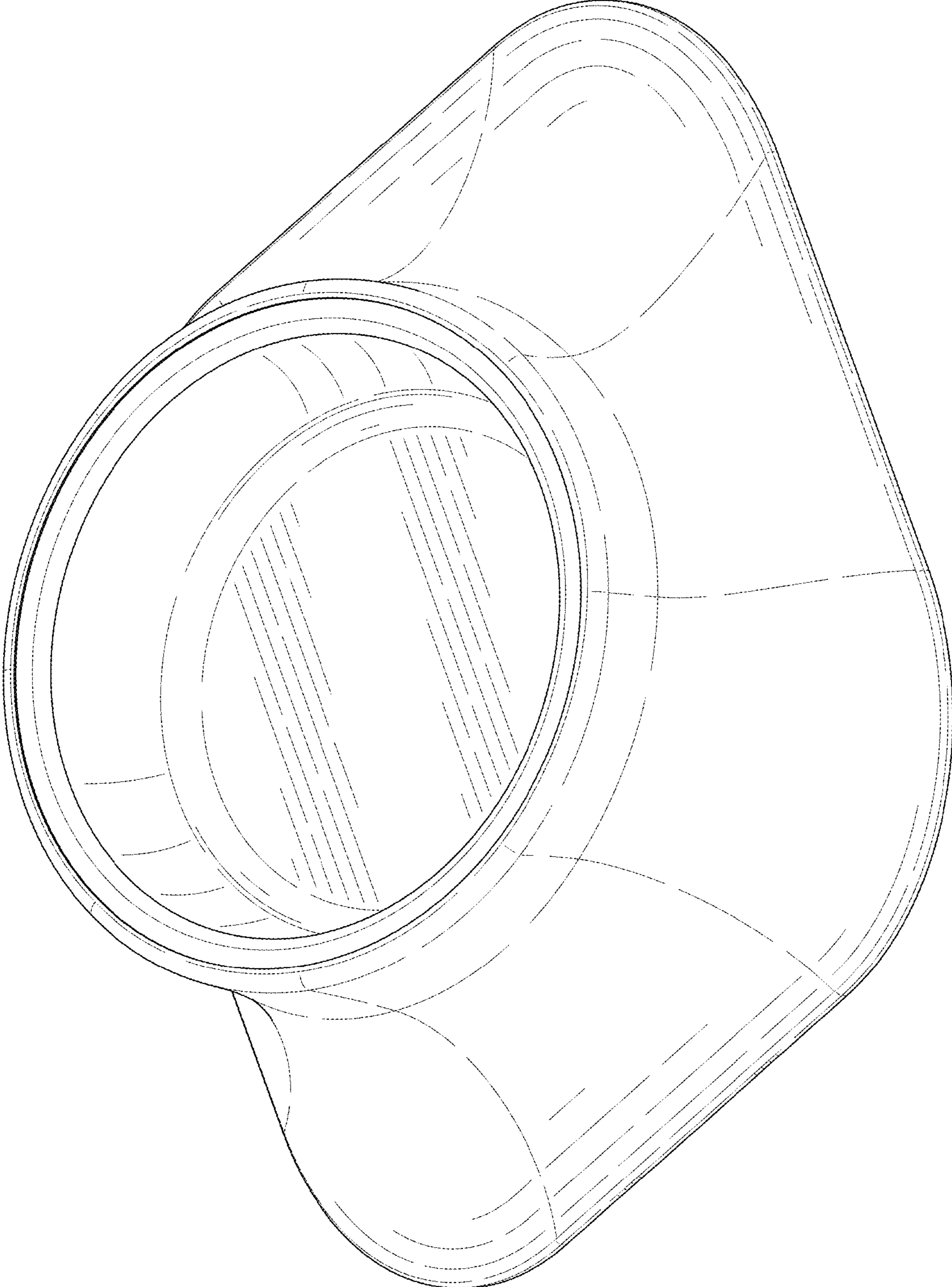


FIG. 1

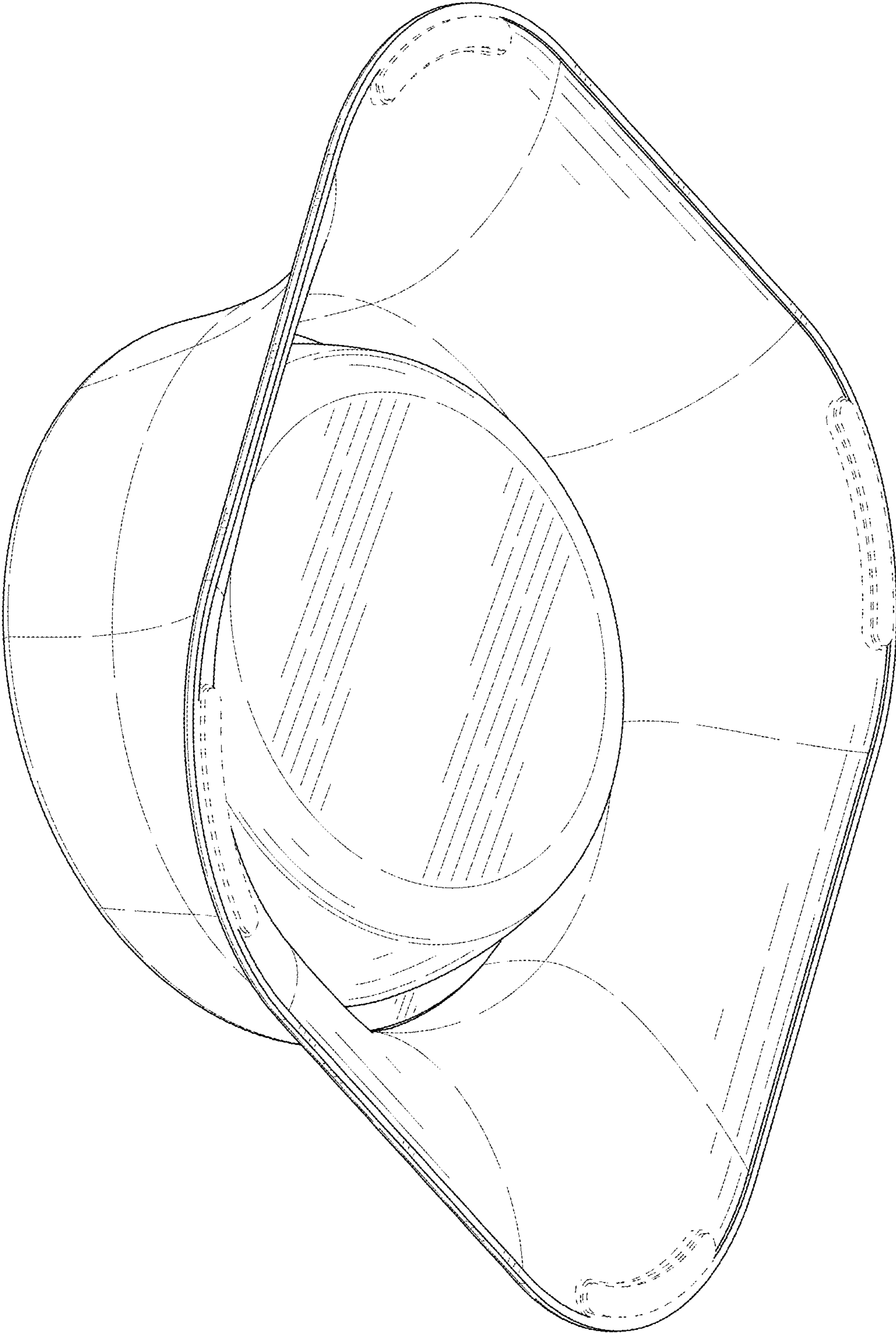


FIG. 2

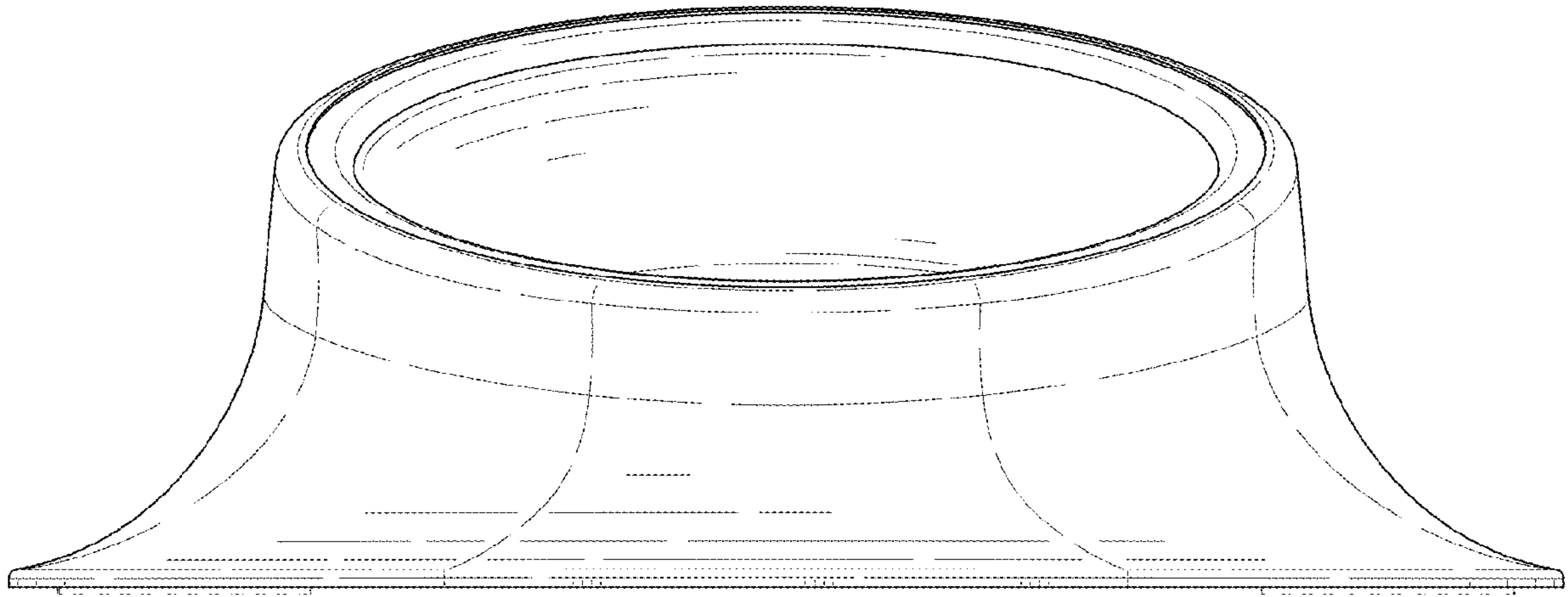


FIG. 3

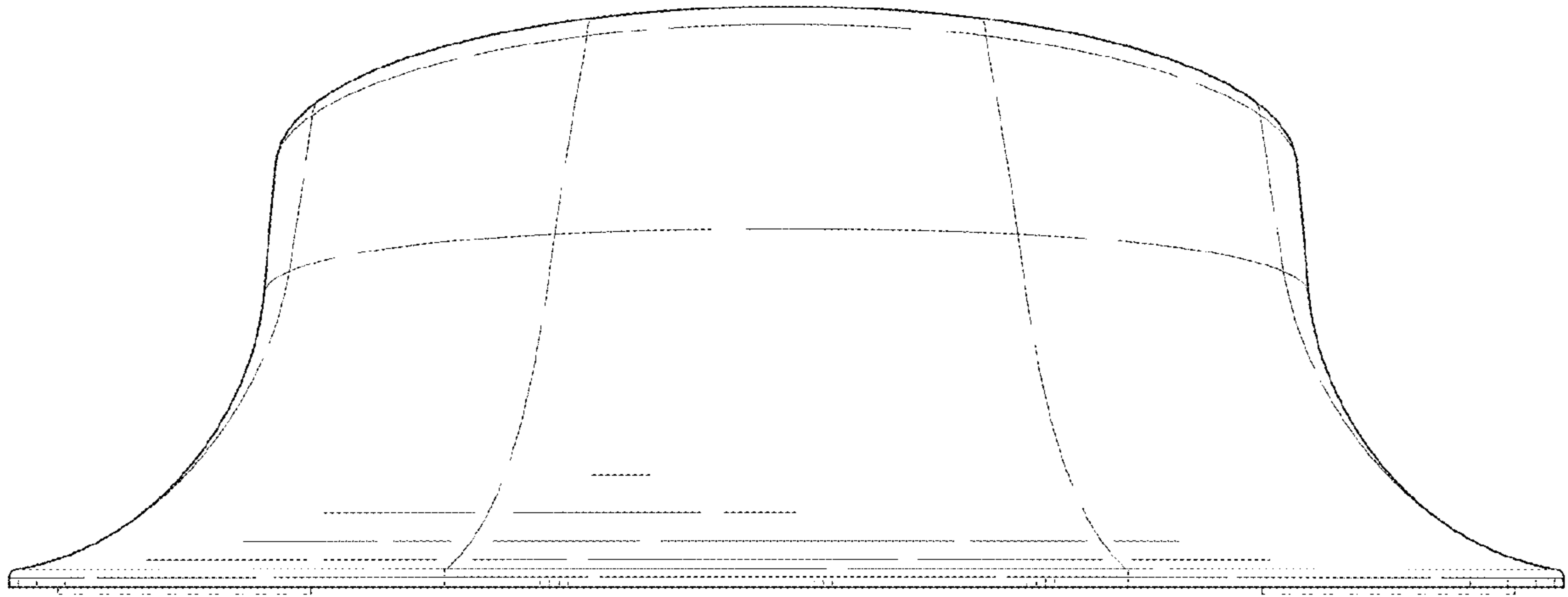


FIG. 4

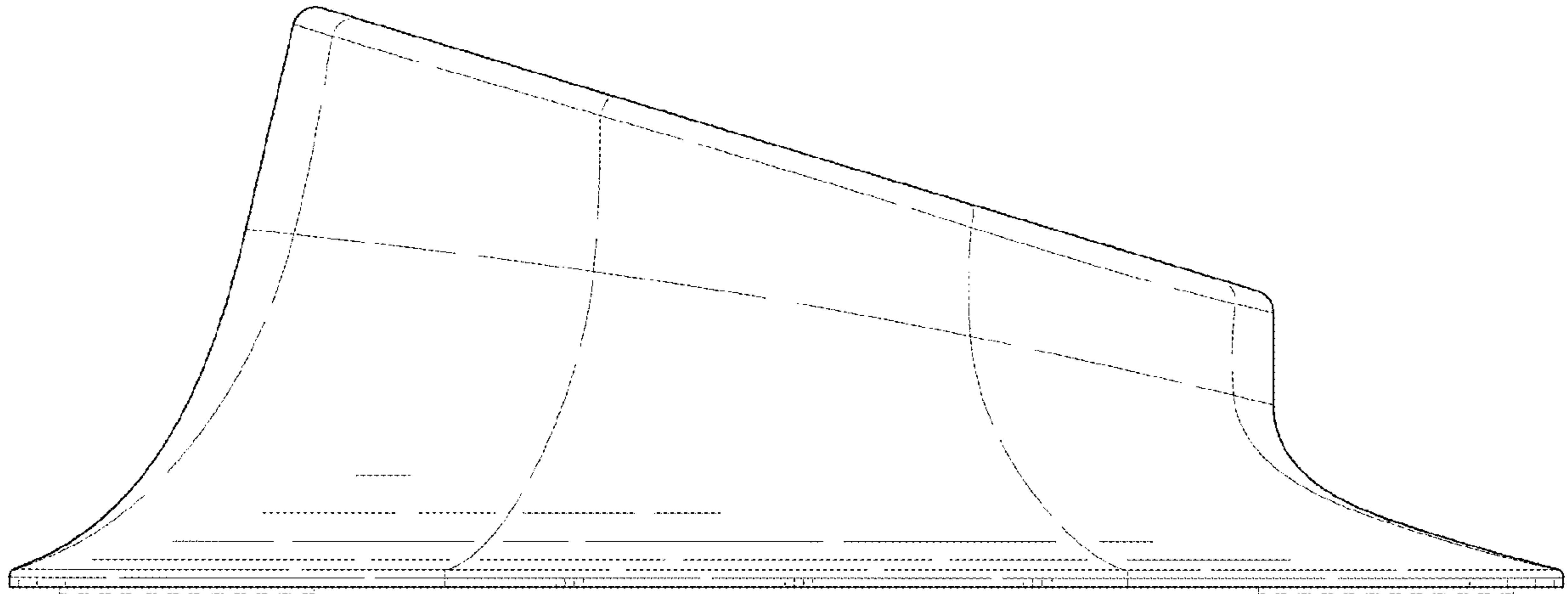


FIG. 5

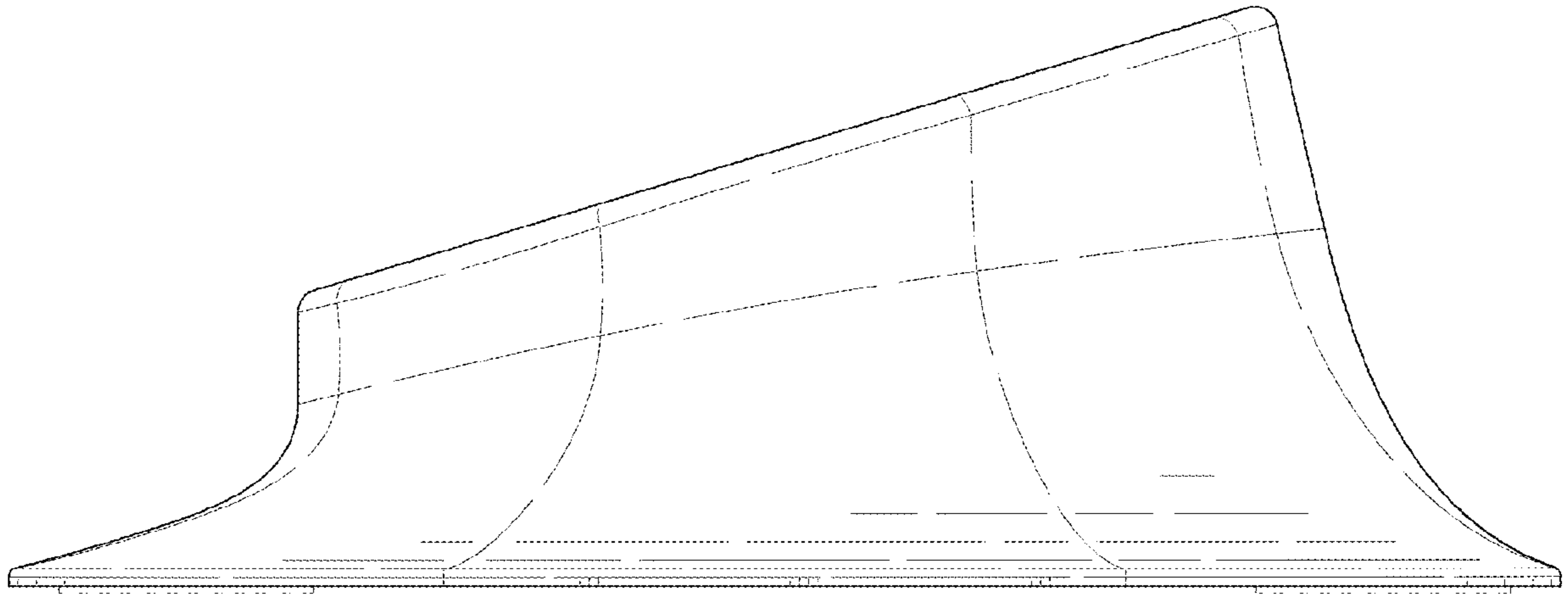


FIG. 6

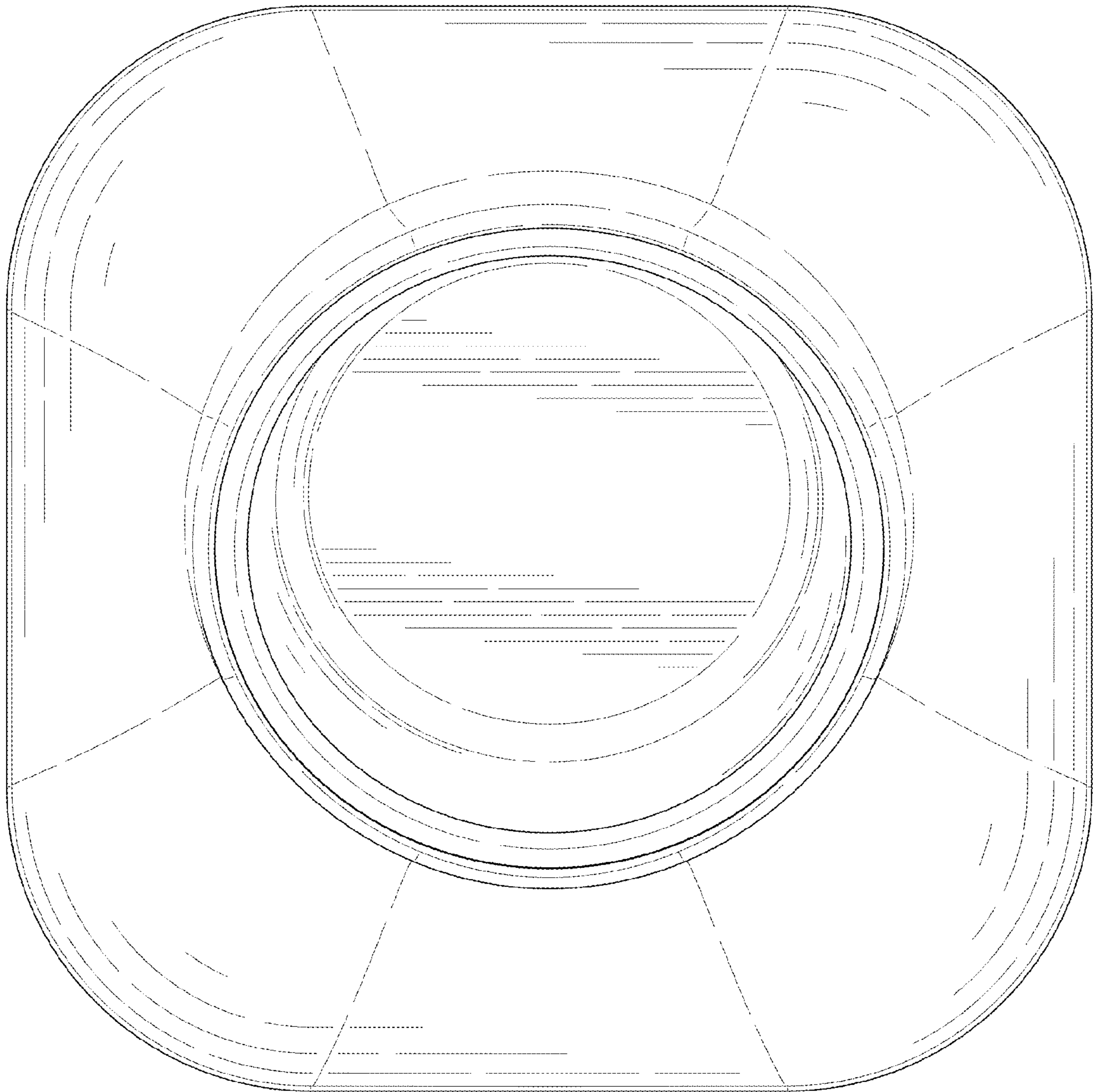


FIG. 7



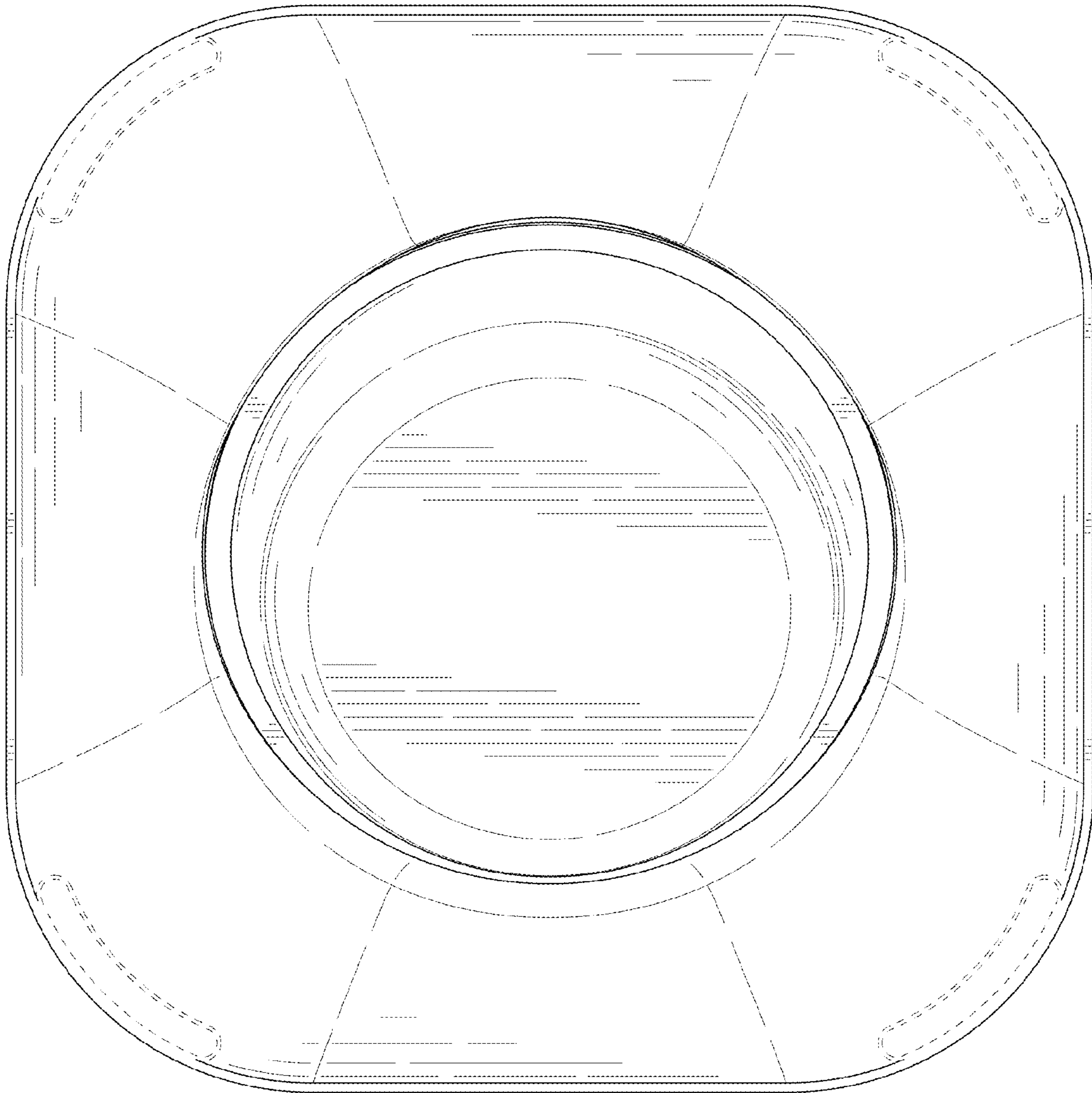


FIG. 8