



US00D977740S

(12) **United States Design Patent** (10) **Patent No.:** **US D977,740 S**
Wingate (45) **Date of Patent:** **** Feb. 7, 2023**

(54) **TILTED PET BOWL**
(71) Applicant: **Cleveland Wingate**, Olympia, WA (US)
(72) Inventor: **Cleveland Wingate**, Olympia, WA (US)
(**) Term: **15 Years**
(21) Appl. No.: **29/752,878**
(22) Filed: **Sep. 29, 2020**
(51) **LOC (14) Cl.** **30-03**
(52) **U.S. Cl.**
USPC **D30/129**
(58) **Field of Classification Search**
USPC D30/121, 122, 129, 130, 131, 132, 133;
119/51.01, 51.02, 51.03, 51.11, 51.12,
119/51.13, 51.5, 52.1, 57, 57.1, 57.92, 58,
119/60, 61.1, 61.5, 61.52, 61.54, 61.55,
119/61.57, 72, 72.5, 73, 74, 75, 78, 174
CPC A01K 5/00; A01K 5/0114; A01K 5/0121;
A01K 5/0135; A01K 7/005; A01K 7/00;
A01K 39/02; A01K 39/04; A01K 39/0213
See application file for complete search history.

(56) **References Cited**

U.S. PATENT DOCUMENTS

766,427 A 8/1904 Crowell
D180,012 S * 4/1957 Bucchler D7/505
D180,329 S * 5/1957 Highberger 220/574
5,341,953 A * 8/1994 Forester A47G 19/02
220/575
D441,257 S * 5/2001 Indekeu D7/558
D471,406 S * 3/2003 Wellner D7/584
D471,677 S * 3/2003 Northrop D30/129
D472,021 S 3/2003 Northrop
D472,350 S 3/2003 Northrop et al.
D473,758 S * 4/2003 Wilson D7/587
6,688,485 B1 2/2004 Lauer et al.
D516,025 S * 2/2006 Quinn D13/108
D539,094 S * 3/2007 Wasserman D7/584

D540,623 S * 4/2007 Schreiber-Pethan D7/584
D547,615 S * 7/2007 Wasserman D7/565
D548,014 S * 8/2007 Kell D7/584
D551,510 S * 9/2007 Serra D7/500
D613,999 S * 4/2010 Sierra D7/587
D777,992 S 1/2017 Tsengas
D832,529 S * 10/2018 Elliott D30/129
D891,005 S * 7/2020 Liu D30/129
2005/0039690 A1 2/2005 Sage
2007/0039966 A1 2/2007 Schantz et al.

OTHER PUBLICATIONS

“Enhanced Pet Bowl” available Apr. 7, 2017, [online], [site visited Feb. 11, 2022]. Retrieved from Internet, URL:https://www.amazon.com/Enhanced-Pet-Bowl-Stainless-Steel/dp/B06Y2YCKZZ/ (Year: 2017).*

* cited by examiner

Primary Examiner — Katrina N Gonzalez
(74) *Attorney, Agent, or Firm* — Boudwin Intellectual Property; Daniel Boudwin

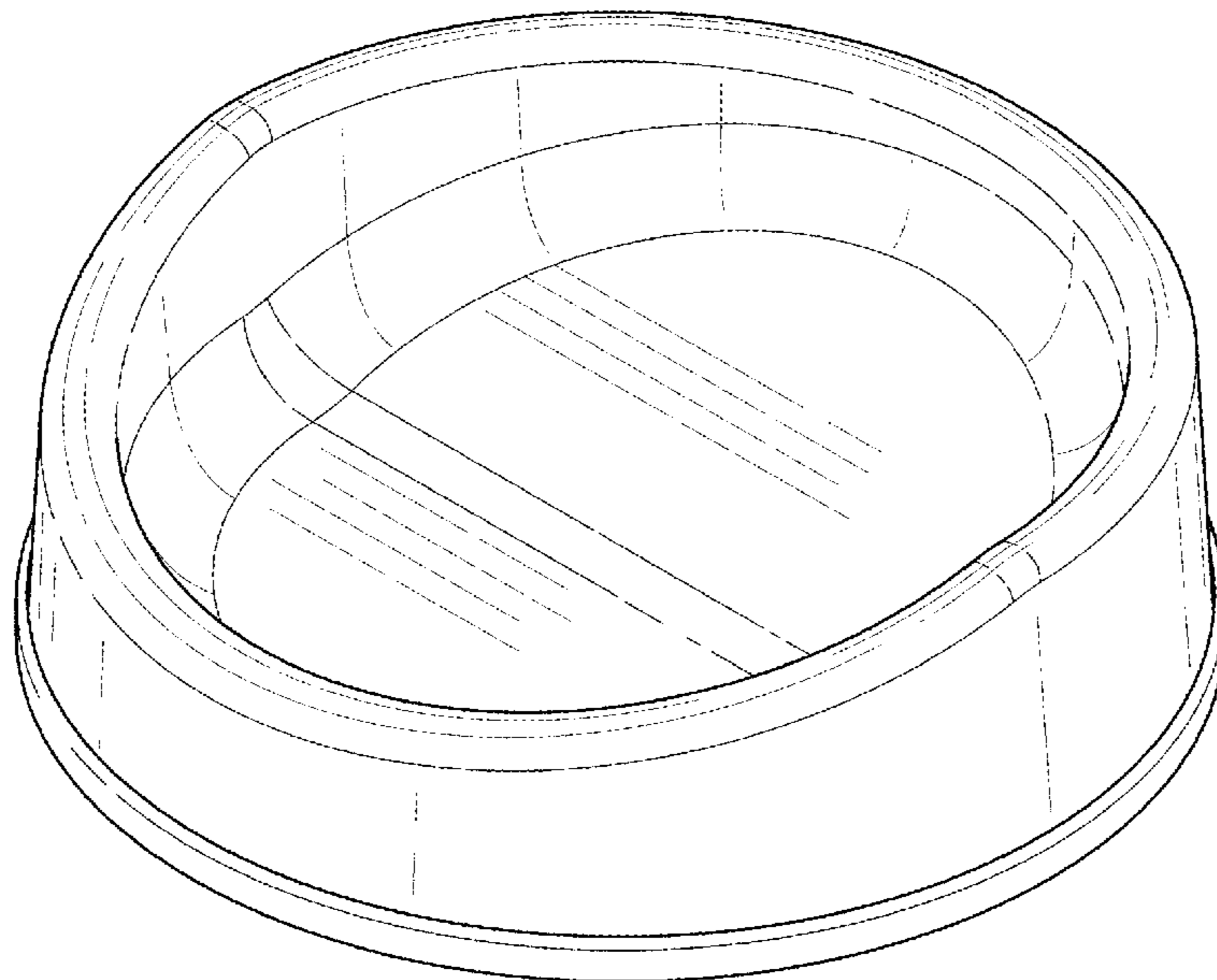
(57) **CLAIM**

The ornamental design for a tilted pet bowl, as shown and described.

DESCRIPTION

FIG. 1 shows a perspective view of the tilted pet bowl. FIG. 2 shows a front elevation view of the tilted pet bowl. FIG. 3 shows a rear elevation view of the tilted pet bowl. FIG. 4 shows a right side elevation view of the tilted pet bowl. FIG. 5 shows a left side elevation view of the tilted pet bowl. FIG. 6 shows a top plan view of the tilted pet bowl; and, FIG. 7 shows a bottom plan view of the tilted pet bowl. The broken lines illustrate portions of the tilted pet bowl that form no part of claimed design.

1 Claim, 5 Drawing Sheets



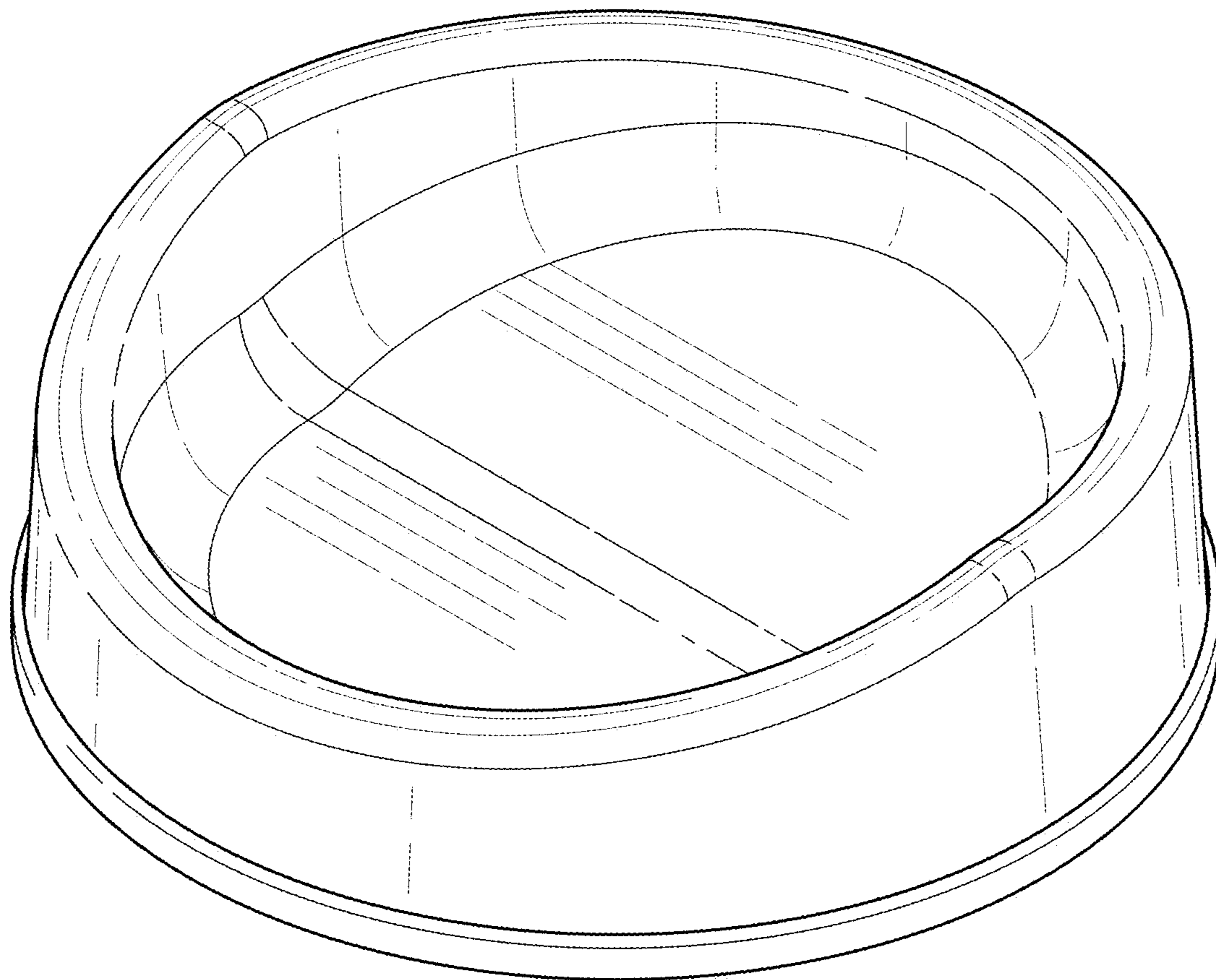


FIG. 1

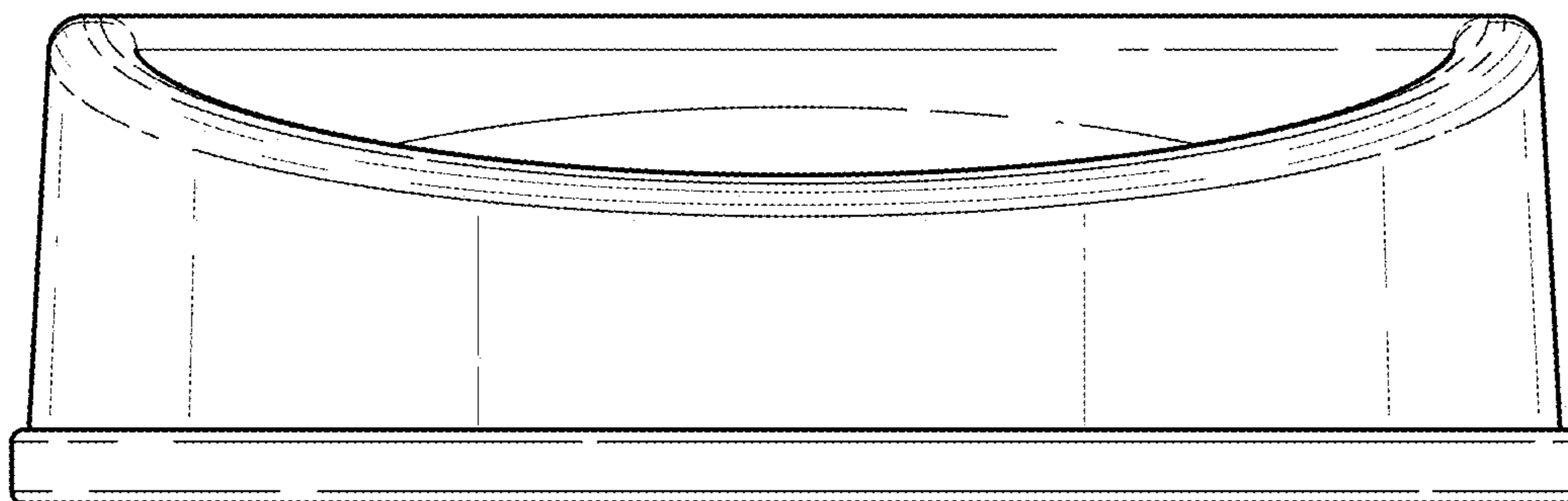


FIG. 2

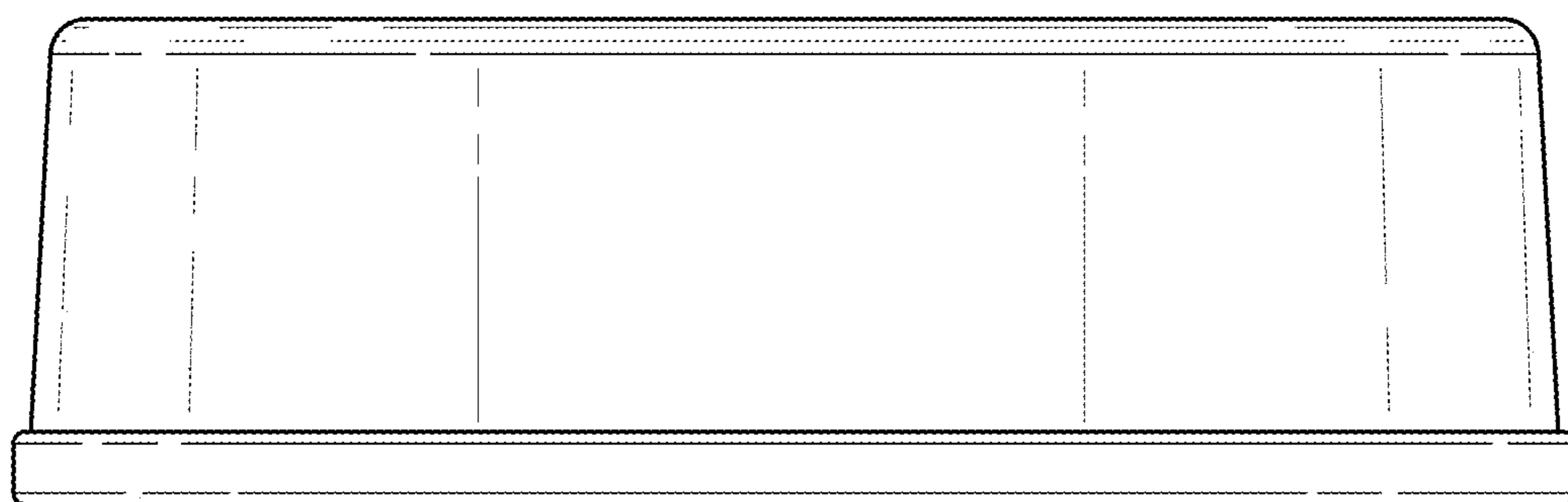


FIG. 3

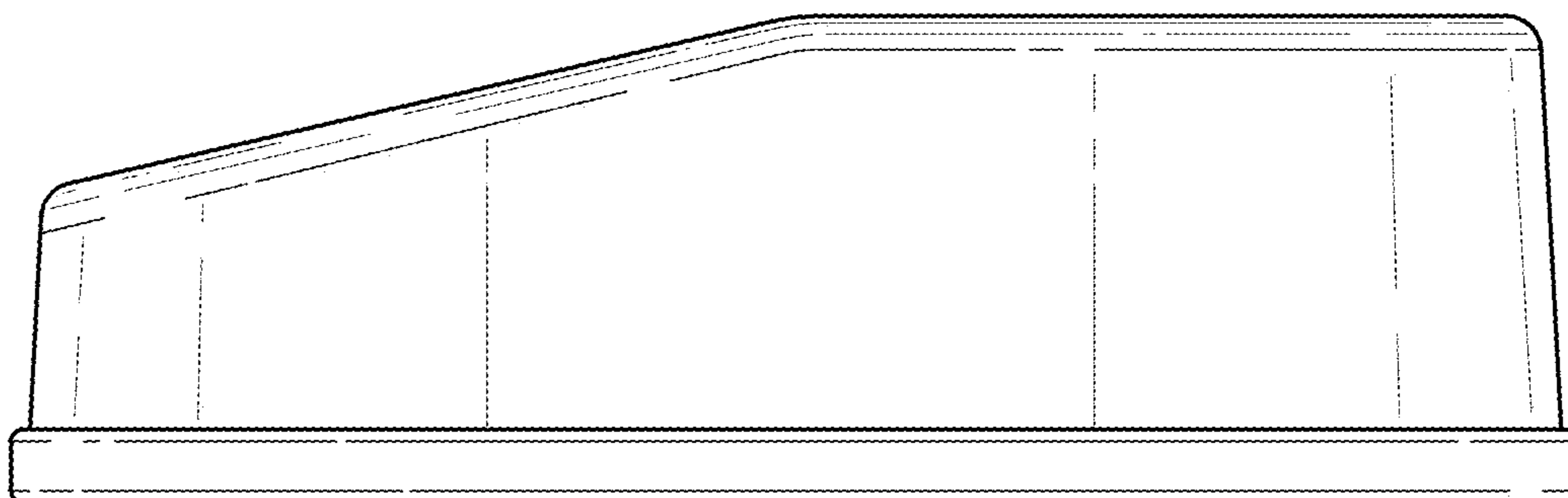


FIG. 4

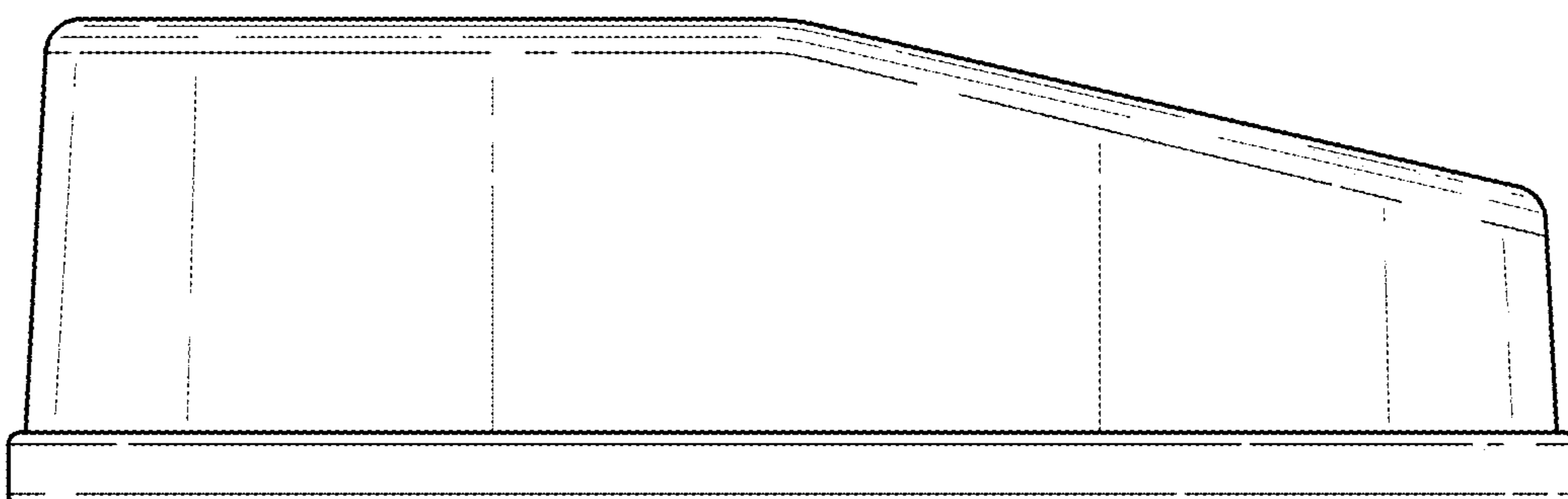


FIG. 5

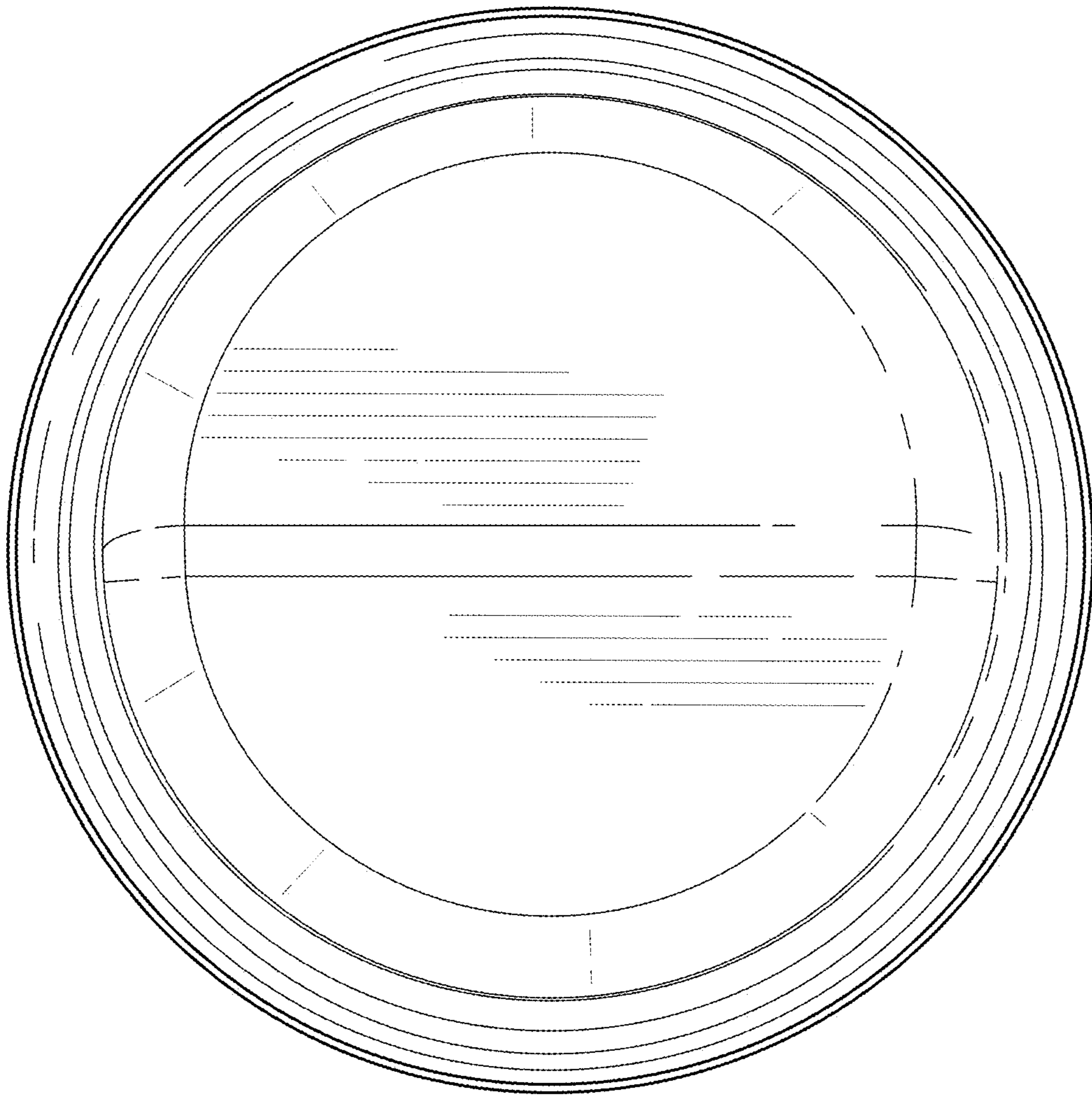


FIG. 6

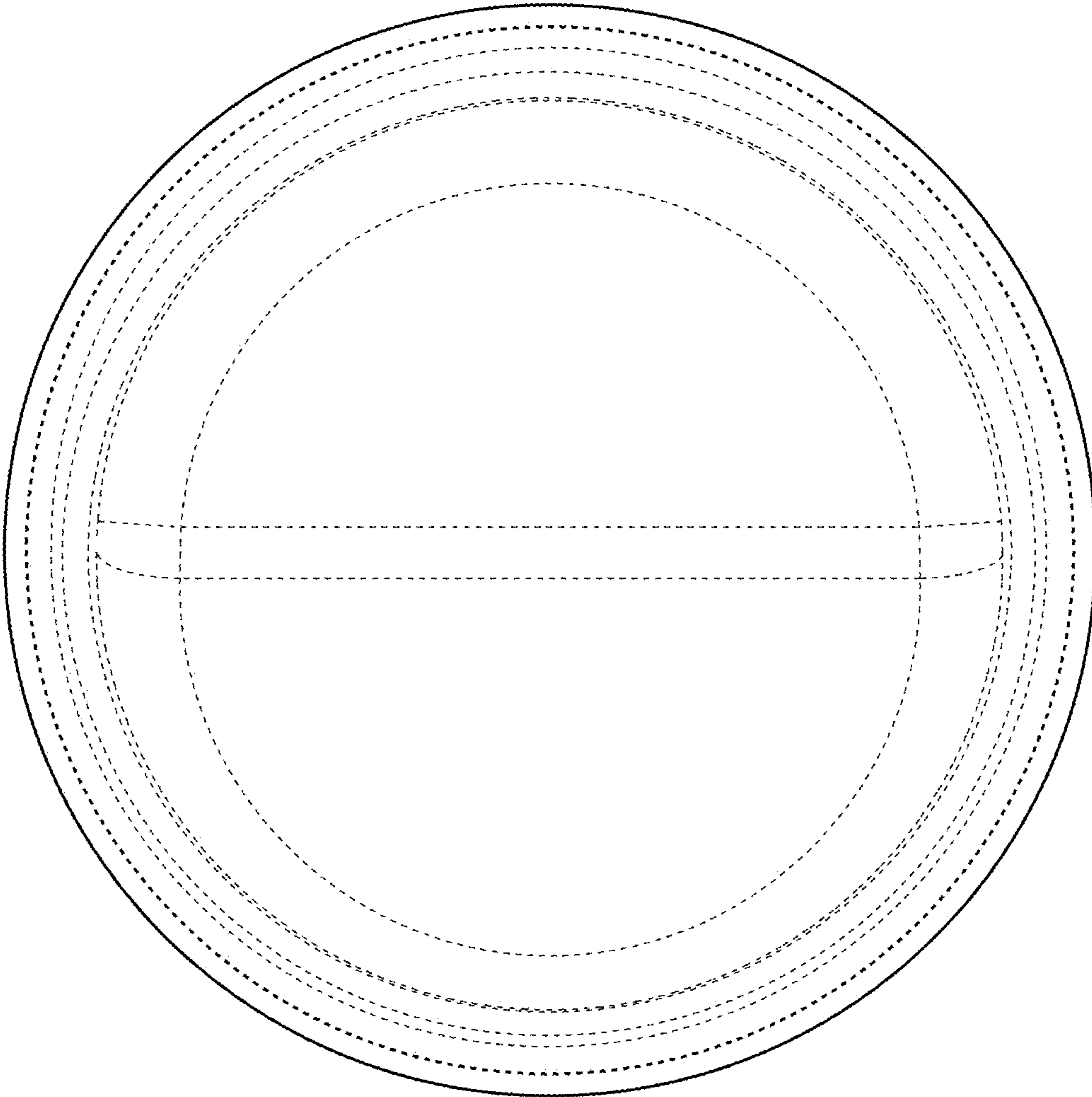


FIG. 7