



US00D977739S

(12) **United States Design Patent**  
**Dystinou**

(10) **Patent No.:** **US D977,739 S**  
(45) **Date of Patent:** **\*\* Feb. 7, 2023**

(54) **PET FEEDER**

(71) Applicant: **Anna Dystinou**, Nicosia (CY)

(72) Inventor: **Anna Dystinou**, Nicosia (CY)

(\*\*) Term: **15 Years**

(21) Appl. No.: **29/715,899**

(22) Filed: **Dec. 5, 2019**

(30) **Foreign Application Priority Data**

May 2, 2019 (EM) ..... 006413084-0002

(51) **LOC (14) Cl.** ..... **30-03**

(52) **U.S. Cl.**  
USPC ..... **D30/129; D30/130**

(58) **Field of Classification Search**  
USPC ..... D30/121, 122, 130-133, 199; 119/51.01,  
119/51.5, 61.5, 61.52, 61.53, 61.54,  
119/61.55, 72, 73  
CPC . A01K 5/00; A01K 7/00; A01K 39/02; A01K  
39/04; A01K 39/0213  
See application file for complete search history.

(56) **References Cited**

**U.S. PATENT DOCUMENTS**

- 1,562,620 A \* 11/1925 Dill ..... A01K 5/01  
119/61.1
- D122,576 S \* 9/1940 Steinhilber ..... D7/557
- 2,259,682 A \* 10/1941 Collins ..... A01K 5/0135  
D30/129
- 3,441,003 A \* 4/1969 Lister ..... A01K 5/0114  
43/121
- 3,731,658 A \* 5/1973 Livermore ..... A01K 5/0135  
119/61.54
- 4,395,015 A \* 7/1983 Reardon ..... A21B 3/13  
220/506
- D303,169 S \* 8/1989 Hovey ..... D30/130
- 5,113,798 A \* 5/1992 Rera ..... A01K 5/0142  
119/51.5
- D338,288 S \* 8/1993 Key ..... D30/129

- D343,929 S \* 2/1994 Karapetian ..... D30/130
- D352,139 S \* 11/1994 King ..... D30/130
- D353,233 S \* 12/1994 Robles ..... D30/130
- 5,377,621 A \* 1/1995 Camm ..... A01K 7/00  
119/61.54
- D356,010 S \* 3/1995 McEntee ..... D30/130
- D360,112 S \* 7/1995 McEntee ..... D7/545
- D362,090 S \* 9/1995 Baldwin ..... D30/130
- 5,493,998 A \* 2/1996 Warren ..... A01K 5/0114  
119/61.54
- D399,029 S \* 9/1998 Falcone ..... D30/130
- 5,881,670 A \* 3/1999 Pelsor ..... A01K 5/0135  
119/61.54
- 5,975,016 A \* 11/1999 Wesenhagen ..... A01K 5/0135  
119/61.55
- 5,979,360 A \* 11/1999 Tharp ..... A01K 5/0142  
119/51.5
- D430,363 S \* 8/2000 Bacon ..... D30/129

(Continued)

**OTHER PUBLICATIONS**

“Ant Proof Bowl (Red)” available Sep. 5, 2014, [online], [site visited Dec. 18, 2020]. Retrieved from Internet, URL:https://www.amazon.com/Ant-Proof-Bowl-Red/dp/B00NC5H7BA?th=1 (Year: 2014).\*

*Primary Examiner* — Katrina N Gonzalez  
(74) *Attorney, Agent, or Firm* — Sughrue Mion, PLLC

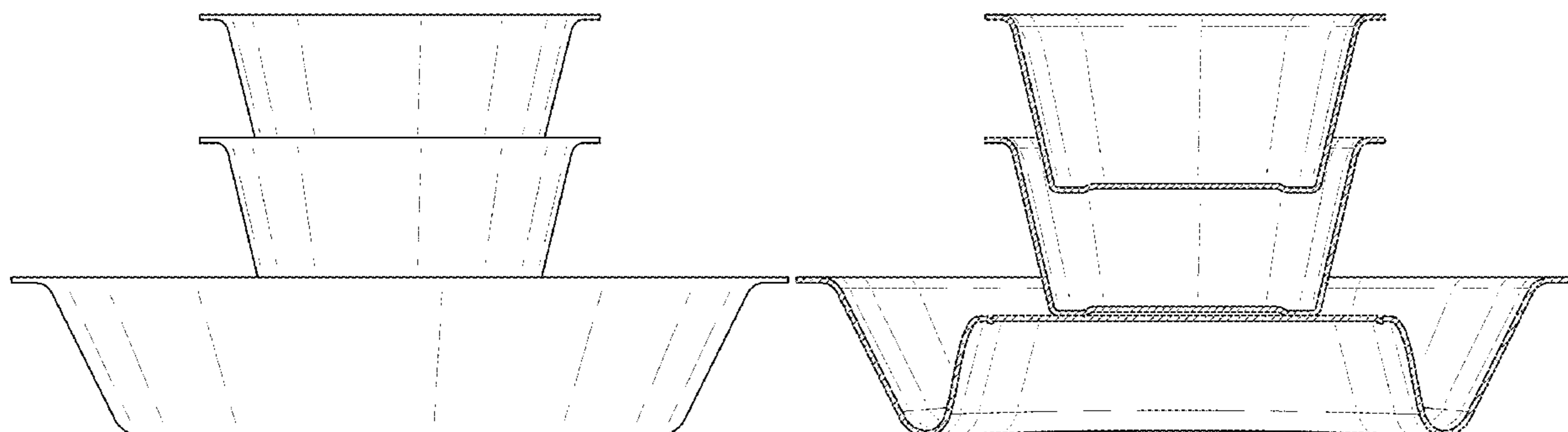
(57) **CLAIM**

The ornamental design for a pet feeder, as shown and described.

**DESCRIPTION**

FIG. 1 is a front elevation view of a pet feeder showing my new design;  
FIG. 2 is a top plan view thereof; and,  
FIG. 3 is a cross-sectional front view taken along and in the direction of line 3-3 in FIG. 2.

**1 Claim, 3 Drawing Sheets**



(56)

**References Cited**

U.S. PATENT DOCUMENTS

6,112,698 A \* 9/2000 Zelinger ..... A01K 5/0114  
 119/61.54  
 6,142,101 A \* 11/2000 Pelsor ..... A01K 5/0135  
 119/61.54  
 D448,127 S \* 9/2001 Zelinger ..... D30/129  
 D468,064 S \* 12/2002 Pardo ..... D30/130  
 6,520,114 B1 \* 2/2003 Chun ..... A01K 5/0135  
 119/61.54  
 D523,185 S \* 6/2006 Oliphant ..... A01K 5/0142  
 D30/129  
 D636,539 S \* 4/2011 Montoya ..... D30/129  
 D702,404 S \* 4/2014 Leung ..... D30/129  
 D739,615 S \* 9/2015 Robertson ..... D30/129  
 2009/0056633 A1 \* 3/2009 McDaniel ..... A01K 7/00  
 119/51.5  
 2009/0120370 A1 \* 5/2009 Maeda ..... A01K 7/00  
 119/73  
 2011/0283947 A1 \* 11/2011 Linke ..... A01M 29/34  
 119/61.53  
 2012/0210941 A1 \* 8/2012 Brown ..... A01K 5/0114  
 119/61.52  
 2015/0059651 A1 \* 3/2015 Tait ..... A01K 5/0121  
 119/61.5

\* cited by examiner

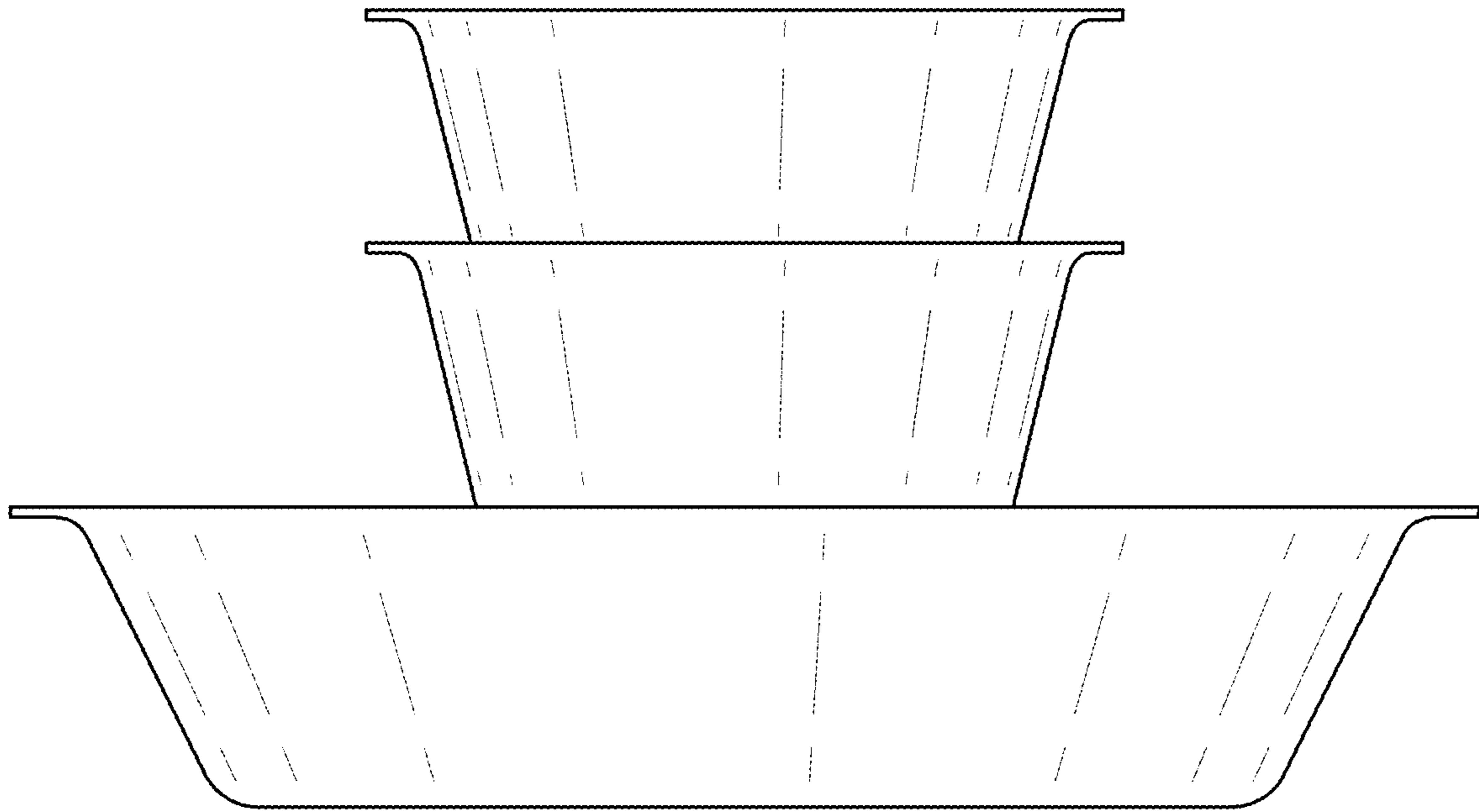


FIG. 1

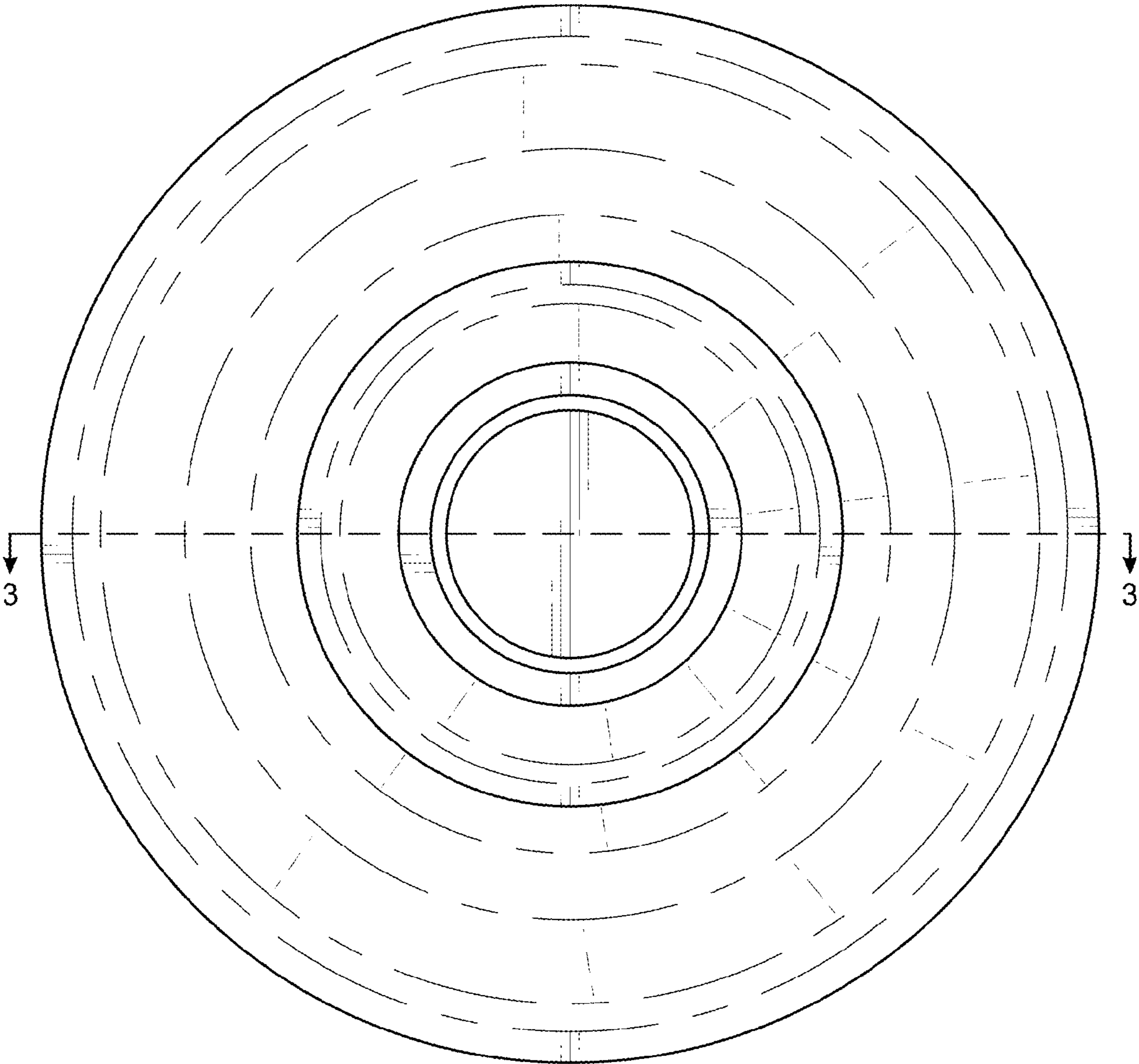


FIG. 2

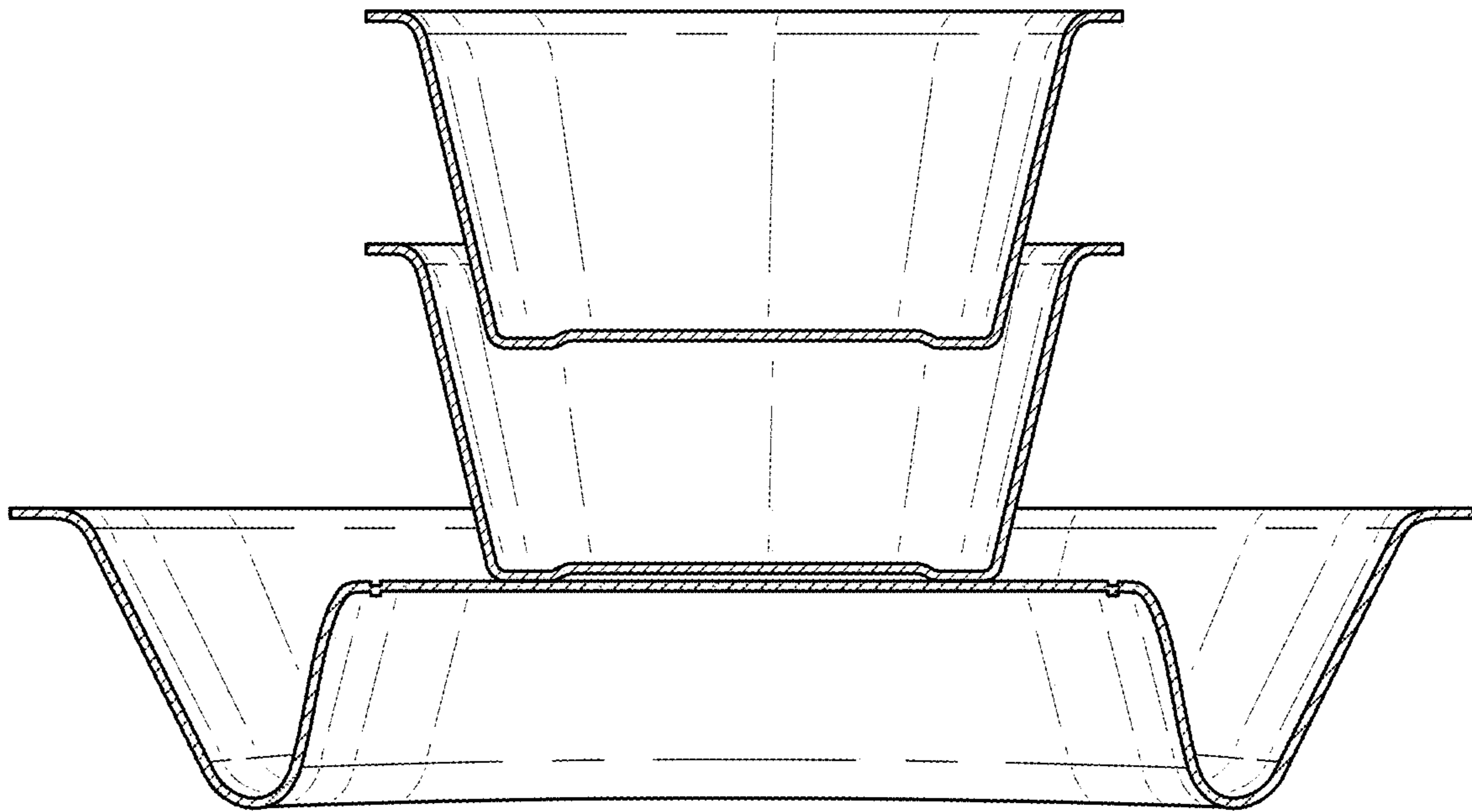


FIG. 3