



US00D977738S

(12) **United States Design Patent**
Dystinou

(10) **Patent No.:** **US D977,738 S**

(45) **Date of Patent:** **** *Feb. 7, 2023**

(54) **PET FEEDER**

(71) Applicant: **Anna Dystinou**, Nicosia (CY)

(72) Inventor: **Anna Dystinou**, Nicosia (CY)

(*) Notice: This patent is subject to a terminal disclaimer.

(**) Term: **15 Years**

(21) Appl. No.: **29/715,898**

(22) Filed: **Dec. 5, 2019**

(30) **Foreign Application Priority Data**

May 2, 2019 (EM) 006413084-0001

(51) **LOC (14) Cl.** **30-03**

(52) **U.S. Cl.**
USPC **D30/129; D30/121**

(58) **Field of Classification Search**
USPC D30/121, 122, 130-133, 199; 119/51.01, 119/51.5, 61.5, 61.52, 61.53, 61.54, 119/61.55, 72, 73
CPC . A01K 5/00; A01K 7/00; A01K 39/02; A01K 39/04; A01K 39/0213
See application file for complete search history.

(56) **References Cited**

U.S. PATENT DOCUMENTS

- 1,562,620 A * 11/1925 Dill A01K 5/01
119/61.1
- D122,576 S * 9/1940 Steinhilber D7/557
- 2,259,682 A * 10/1941 Collins A01K 5/0135
D30/129
- 3,441,003 A * 4/1969 Lister A01K 5/0114
43/121
- 3,731,658 A * 5/1973 Livermore A01K 5/0135
119/61.54
- 4,395,015 A * 7/1983 Reardon A21B 3/13
220/506
- D303,169 S * 8/1989 Hovey D30/130

- 5,113,798 A * 5/1992 Rera A01K 5/0142
119/51.5
- D338,288 S * 8/1993 Key D30/129
- D343,929 S * 2/1994 Karapetian D30/130
- D352,139 S * 11/1994 King D30/130
- D353,233 S * 12/1994 Robles D30/130
- 5,377,621 A * 1/1995 Camm A01K 7/00
119/61.54
- D356,010 S * 3/1995 McEntee D30/130
- D360,112 S * 7/1995 McEntee D7/545
- D362,090 S * 9/1995 Baldwin D30/130
- 5,493,998 A * 2/1996 Warren A01K 5/0114
119/61.54
- D399,029 S * 9/1998 Falcone D30/130
- 5,881,670 A * 3/1999 Pelsor A01K 5/0135
119/61.54
- 5,975,016 A * 11/1999 Wesenhagen A01K 5/0135
119/61.55

(Continued)

OTHER PUBLICATIONS

“Ant Proof Bowl (Red)” available Sep. 5, 2014, [online], [site visited Dec. 18, 2020]. Retrieved from Internet, URL:https://www.amazon.com/Ant-Proof-Bowl-Red/dp/B00NC5H7BA?th=1 (Year: 2014).*

Primary Examiner — Katrina N Gonzalez
(74) *Attorney, Agent, or Firm* — Sughrue Mion, PLLC

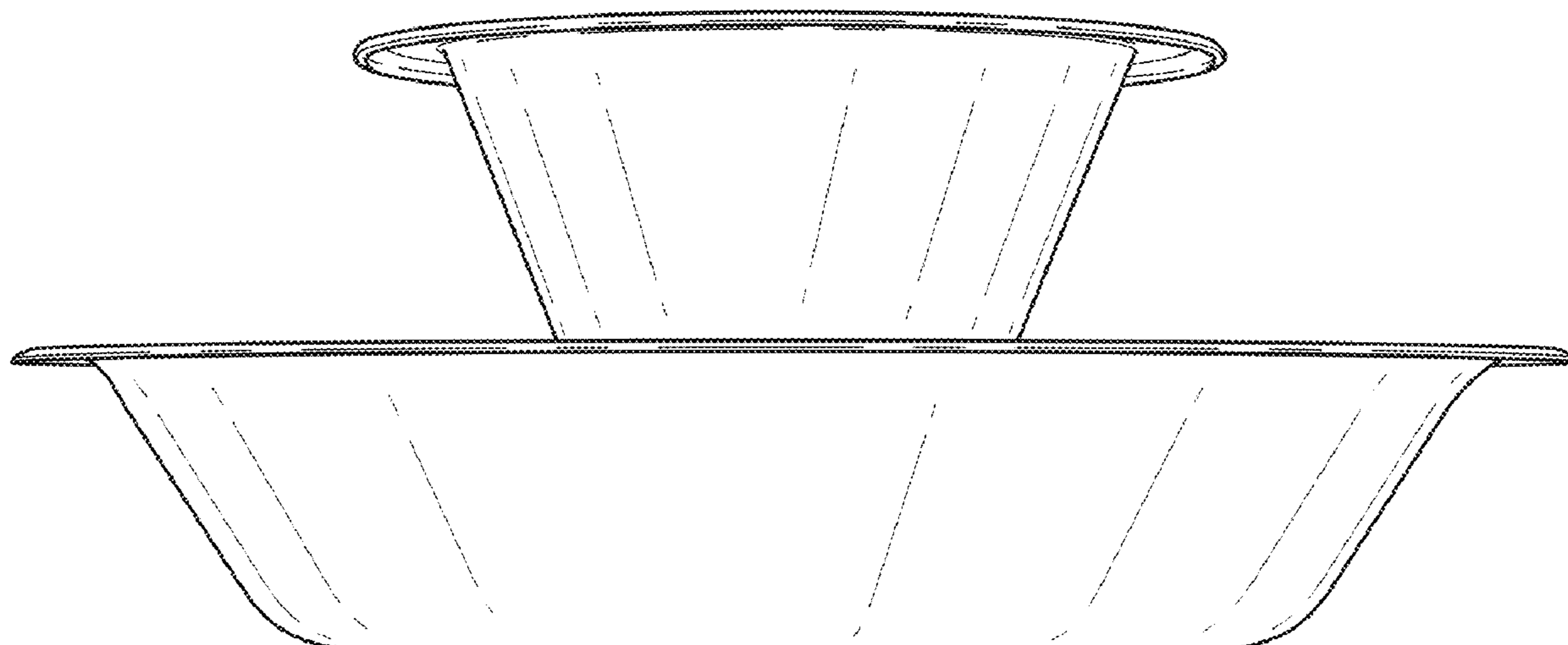
(57) **CLAIM**

The ornamental design for a pet feeder, as shown and described.

DESCRIPTION

FIG. 1 is a top view of a pet feeder showing my new design; FIG. 2 is a bottom view thereof; FIG. 3 is a cross-sectional front view taken along and in the direction of line 3-3 in FIG. 1; and, FIG. 4 is a front, bottom perspective view.

1 Claim, 4 Drawing Sheets



(56)

References Cited

U.S. PATENT DOCUMENTS

5,979,360 A * 11/1999 Tharp A01K 5/0142
 119/51.5
 D430,363 S * 8/2000 Bacon D30/129
 6,112,698 A * 9/2000 Zelinger A01K 5/0114
 119/61.54
 6,142,101 A * 11/2000 Pelsor A01K 5/0135
 119/61.54
 D448,127 S * 9/2001 Zelinger D30/129
 D468,064 S * 12/2002 Pardo D30/130
 6,520,114 B1 * 2/2003 Chun A01K 5/0135
 119/61.54
 D523,185 S * 6/2006 Oliphant A01K 5/0142
 D30/129
 D636,539 S * 4/2011 Montoya D30/129
 D702,404 S * 4/2014 Leung D30/129
 D739,615 S * 9/2015 Robertson D30/129
 2009/0056633 A1 * 3/2009 McDaniel A01K 7/00
 119/51.5
 2009/0120370 A1 * 5/2009 Maeda A01K 7/00
 119/73
 2011/0283947 A1 * 11/2011 Linke A01M 29/34
 119/61.53
 2012/0210941 A1 * 8/2012 Brown A01K 5/0114
 119/61.52
 2015/0059651 A1 * 3/2015 Talt A01K 5/0121
 119/61.5

* cited by examiner

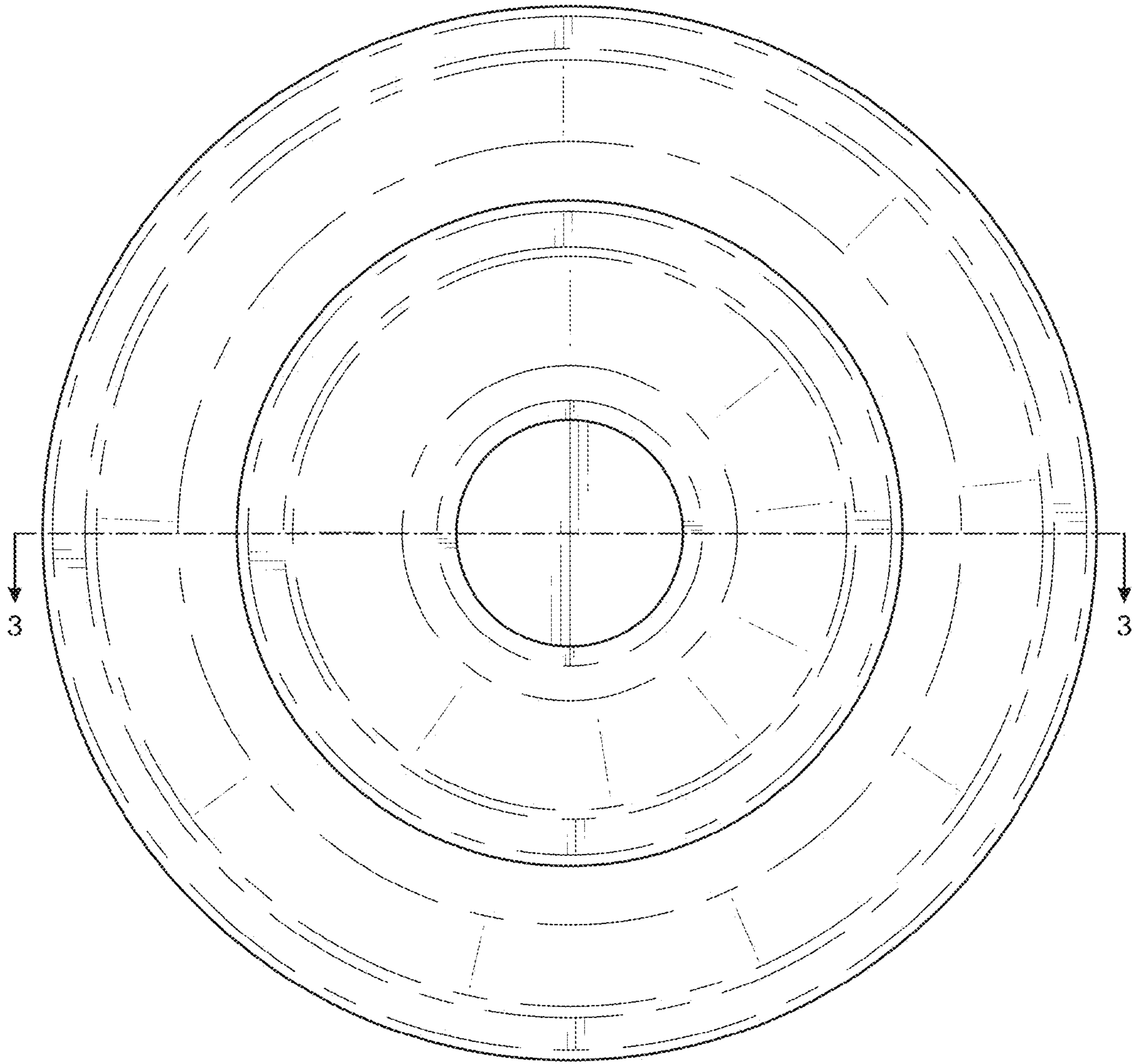


FIG. 1

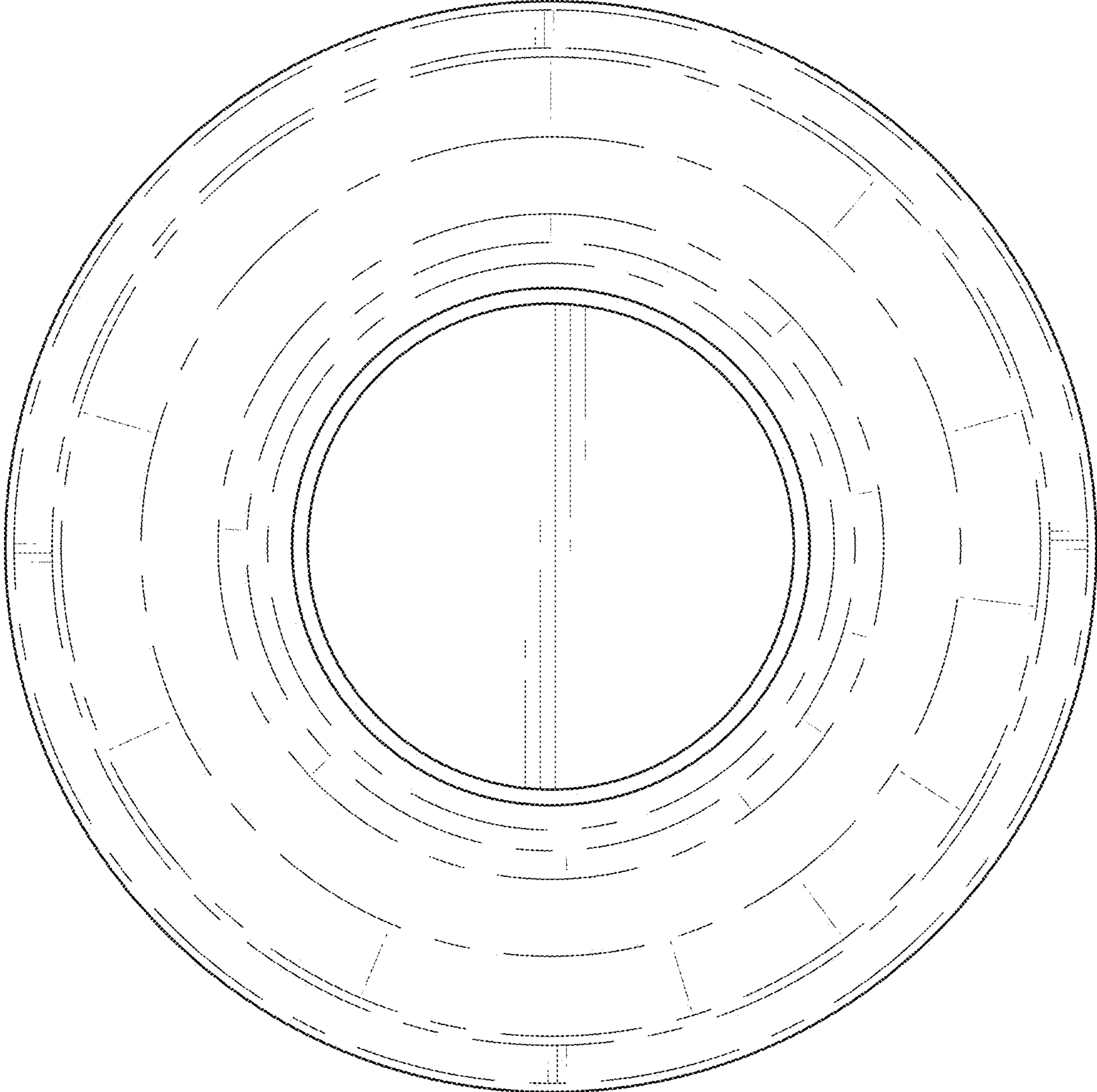


FIG. 2

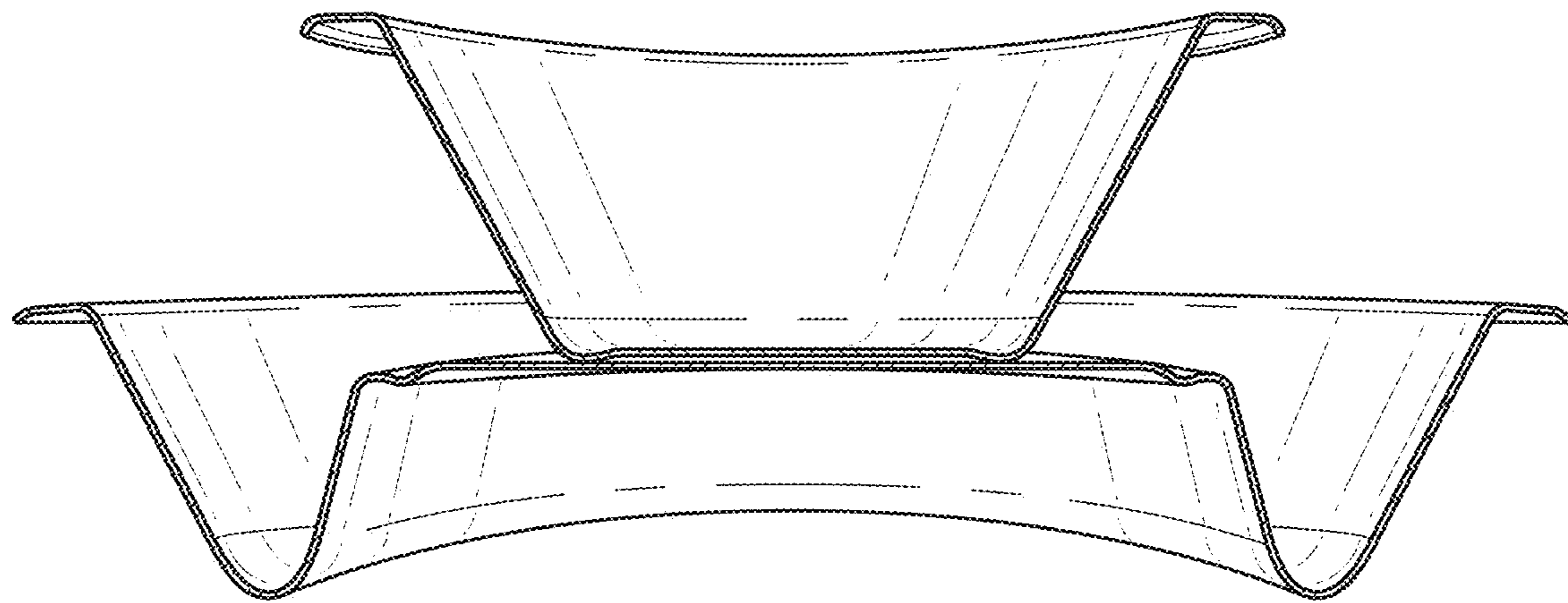


FIG. 3

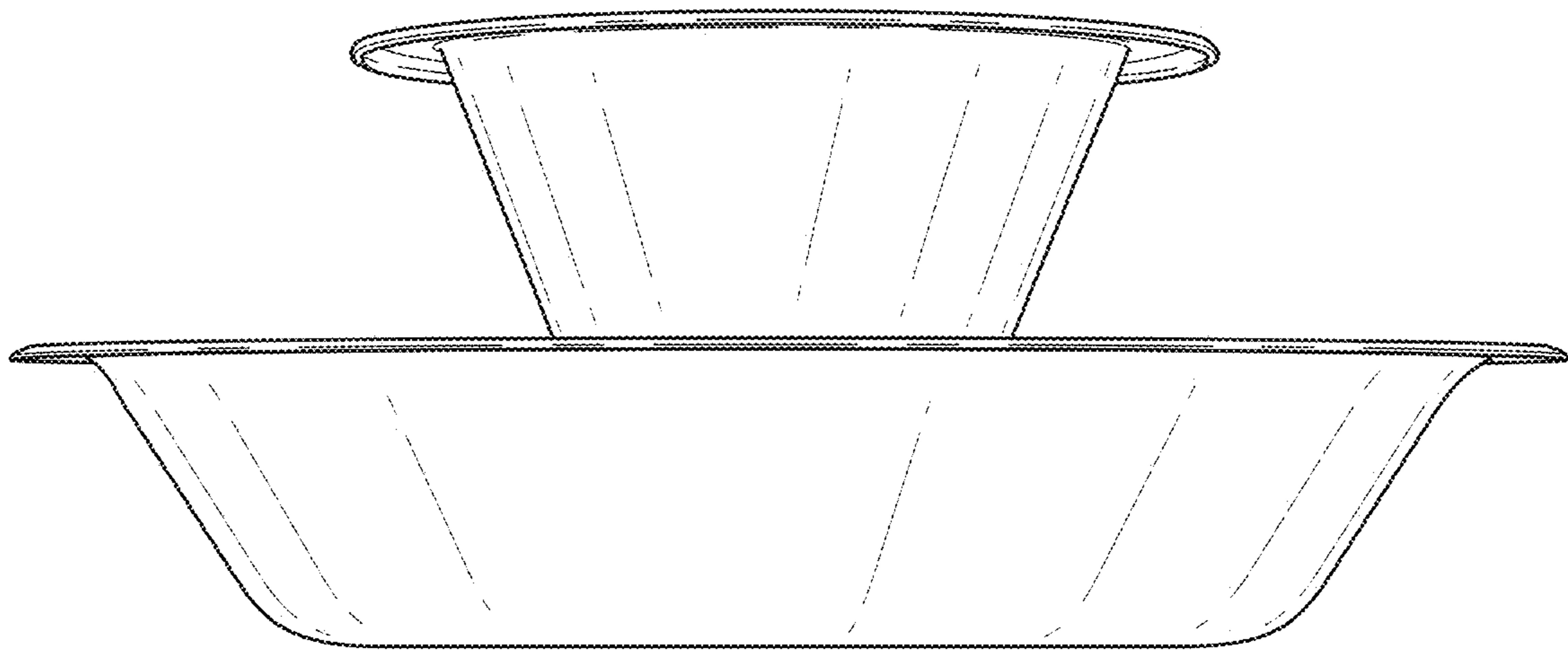


FIG. 4