



US00D977737S

(12) **United States Design Patent**
Peng

(10) **Patent No.:** **US D977,737 S**

(45) **Date of Patent:** **** Feb. 7, 2023**

(54) **HUMMINGBIRD FEEDER**

(71) Applicant: **Longji Peng**, Guangdong (CN)

(72) Inventor: **Longji Peng**, Guangdong (CN)

(**) Term: **15 Years**

(21) Appl. No.: **29/833,831**

(22) Filed: **Apr. 7, 2022**

(51) **LOC (14) Cl.** **30-03**

(52) **U.S. Cl.**

USPC **D30/128**

(58) **Field of Classification Search**

USPC D30/108, 110, 111, 121, 122, 124, 125,
D30/128, 129, 130, 131, 132, 133;
119/51.01, 51.02, 51.03, 51.11, 51.12,
119/51.13, 51.5, 52.1, 57, 57.1, 57.92, 58,
119/60, 61.1, 61.5, 61.52, 61.54, 61.55,
119/61.57, 72, 72.5, 73, 74, 75, 78, 174,
119/70, 71, 52.2, 52.3, 52.4, 53, 53.5, 54,
119/55, 57.8, 57.9, 57.91, 69.5

CPC A01K 1/0353; A01K 5/00; A01K 39/02;
A01K 39/04; A01K 39/0313

See application file for complete search history.

(56) **References Cited**

U.S. PATENT DOCUMENTS

D234,615	S *	3/1975	Kilham	D30/125
D236,139	S *	7/1975	Kilham	D30/125
3,913,527	A *	10/1975	Kilham	A01K 39/0206 428/26
D252,288	S	7/1979	Kilham		
D352,574	S *	11/1994	Brown	D30/121
5,454,348	A *	10/1995	Colwell	A01K 39/0206 119/72
D490,192	S *	5/2004	Markusen	119/72
7,231,890	B2 *	6/2007	Colvin	A01K 39/014 119/72
10,064,393	B1 *	9/2018	Tang	A01K 39/04
10,617,100	B1 *	4/2020	Larsen	A01K 53/00
2007/0028847	A1 *	2/2007	Colvin	A01K 39/0206 119/72

2007/0039554	A1 *	2/2007	Colvin	A01K 39/00 119/72
2014/0311413	A1 *	10/2014	Hoysak	A01K 39/0113 119/51.01
2015/0144065	A1 *	5/2015	Chen	A01K 39/0106 119/51.03
2016/0374318	A1 *	12/2016	Colvin	A01K 39/014 119/74

OTHER PUBLICATIONS

“Hummingbird Feeders—Icreer Store” available Jun. 28, 2022, [online], [site visited Aug. 8, 2022]. Retrieved from Internet, URL:https://www.amazon.com/Hummingbird-Feeders-Outdoors-Windows-Leak-Proof/dp/B09ZTN8FMF/ref=cm_cr_ar_p_d_product_top (Year: 2022).*

“Hummingbird Feeders by HaaWinPI” available Jul. 28, 2022, [online], [site visited Aug. 8, 2022]. Retrieved from Internet, URL:https://www.amazon.com/Hummingbird-Feeders-Feeding-Leak-Proof-Outdoors/product-reviews/B0B5QQ75FN/ref=cm_cr_ar_p_d_paging_btm_next_12 (Year: 2022).*

* cited by examiner

Primary Examiner — Katrina N Gonzalez

(74) *Attorney, Agent, or Firm* — Che-Yang Chen; Law Office of Michael Chen

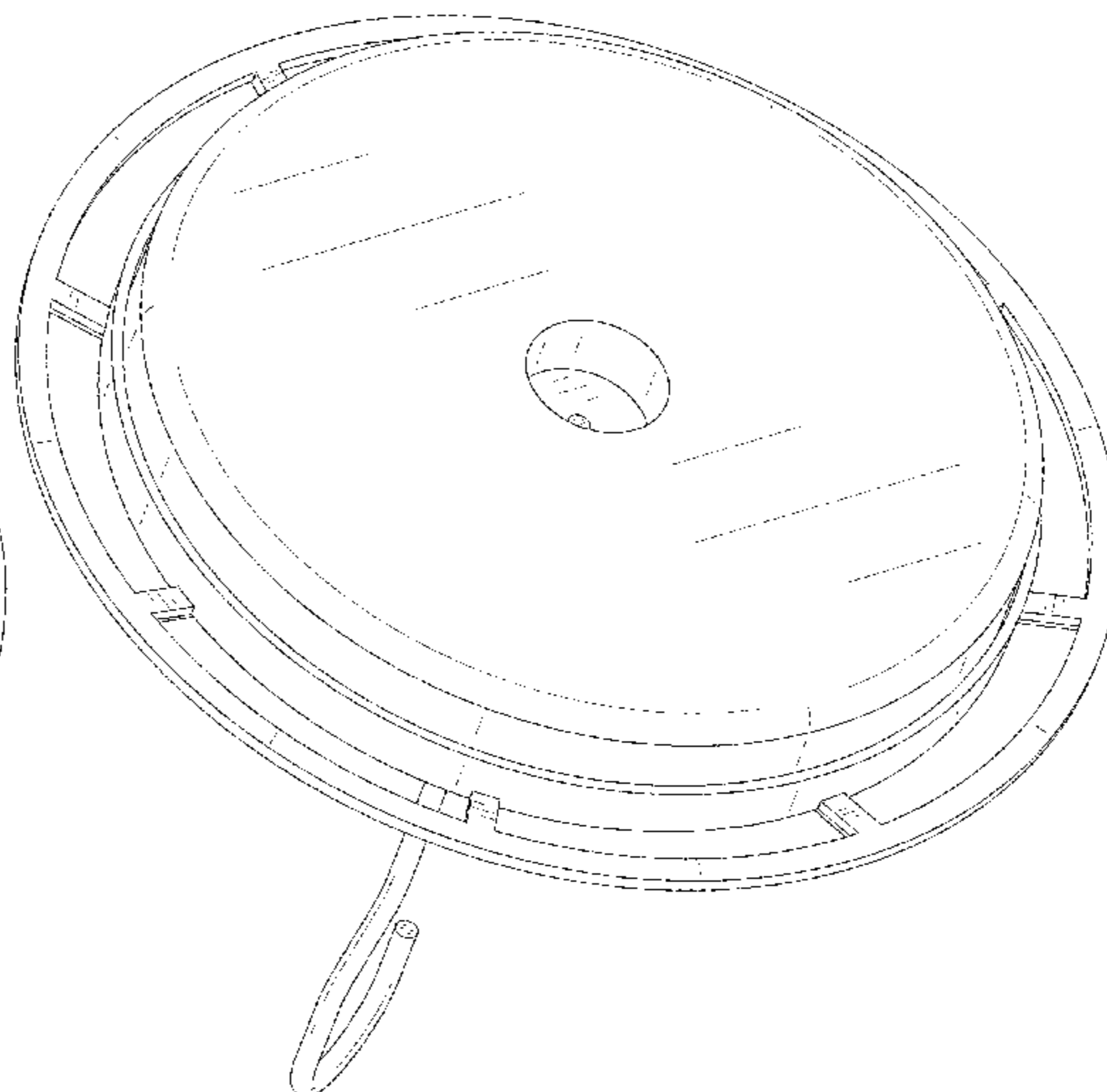
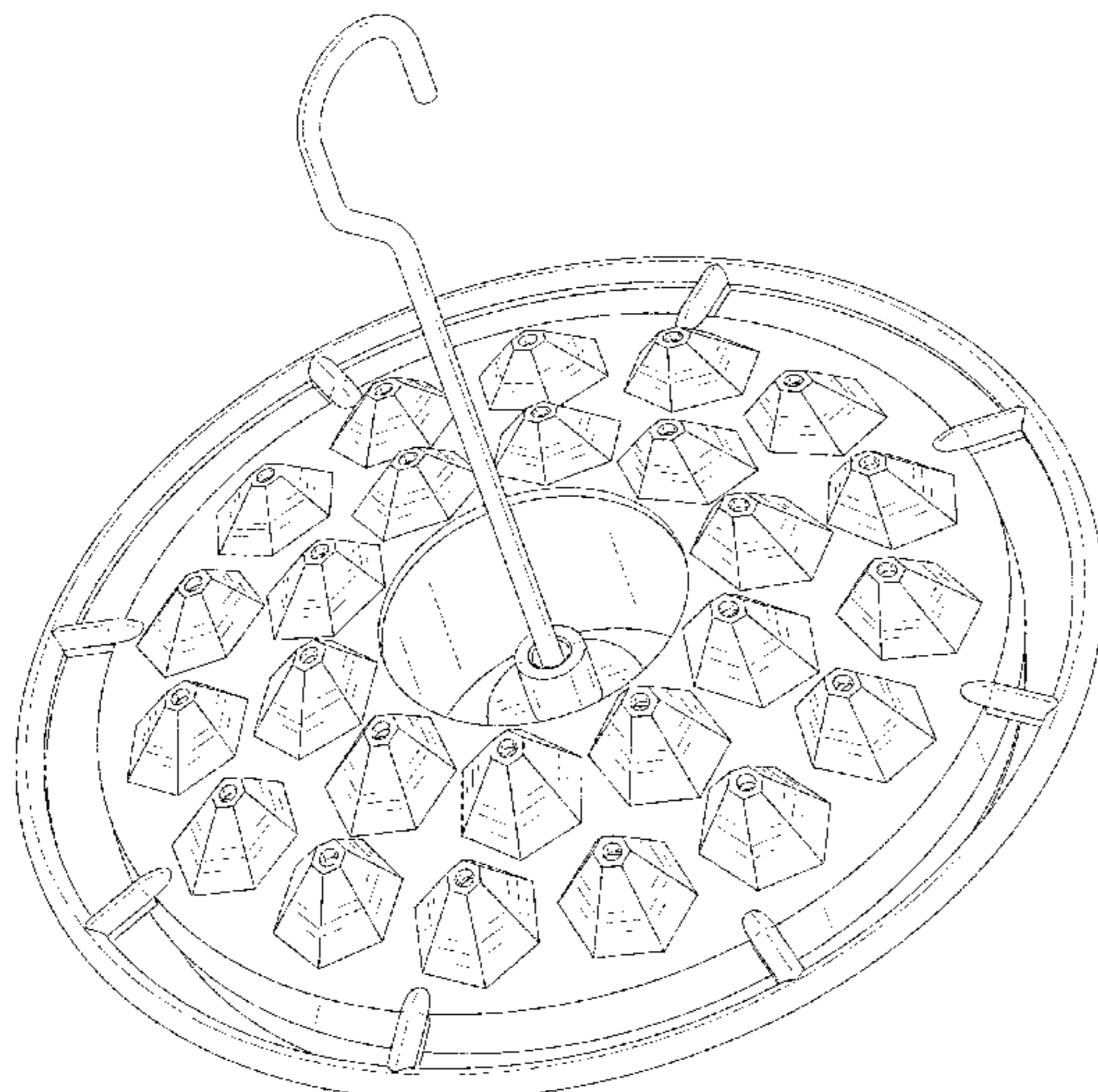
(57) **CLAIM**

The ornamental design for a hummingbird feeder, as shown and described.

DESCRIPTION

FIG. 1 is a perspective view of the hummingbird feeder showing my new design; FIG. 2 is a perspective view thereof from another angle; FIG. 3 is a front elevational view thereof; FIG. 4 is a rear elevational view thereof; FIG. 5 is a left side elevational view thereof; FIG. 6 is a right side elevational view thereof; FIG. 7 is a top plan view thereof; and, FIG. 8 is a bottom plan view thereof.

1 Claim, 8 Drawing Sheets



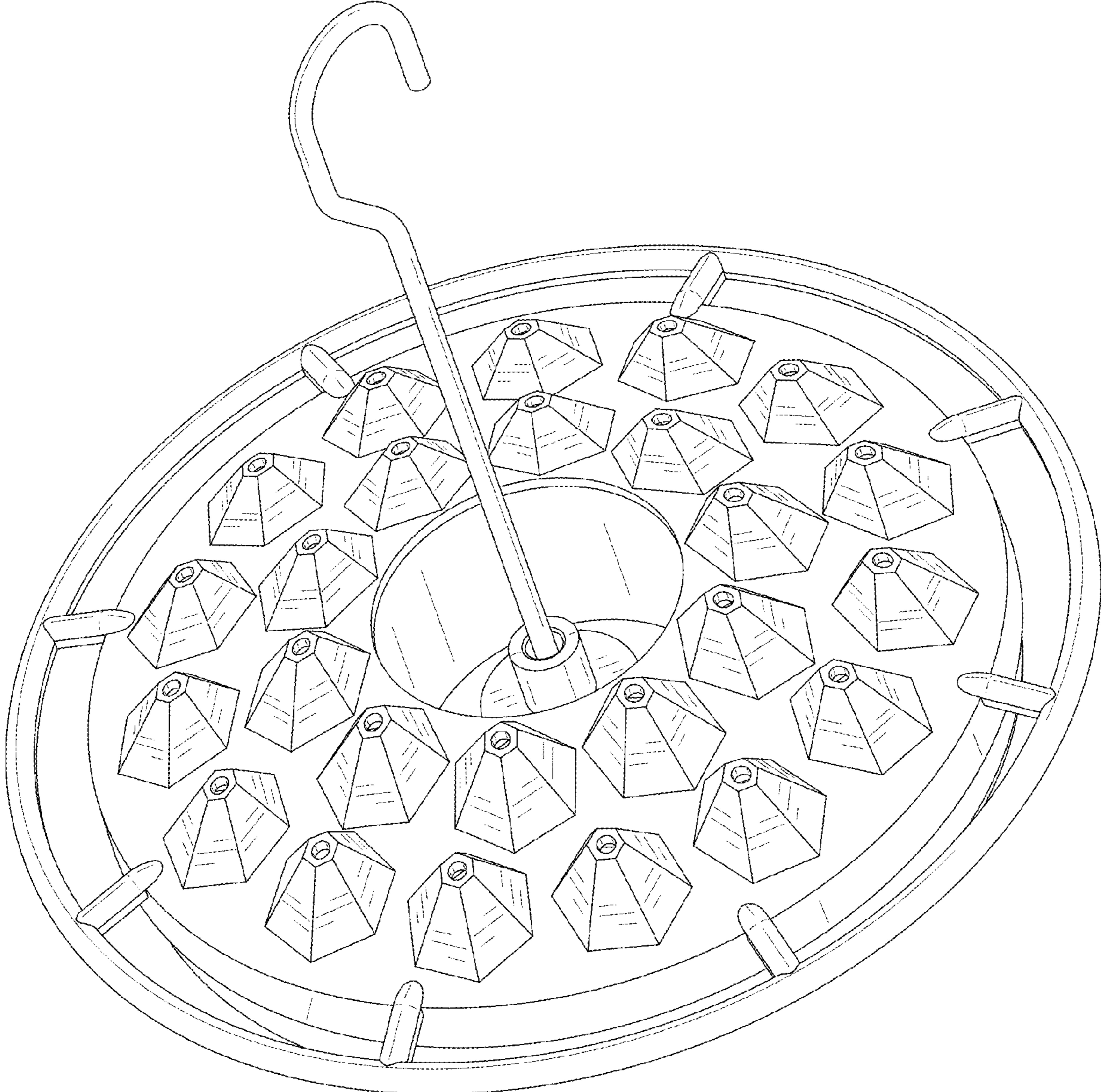


FIG. 1

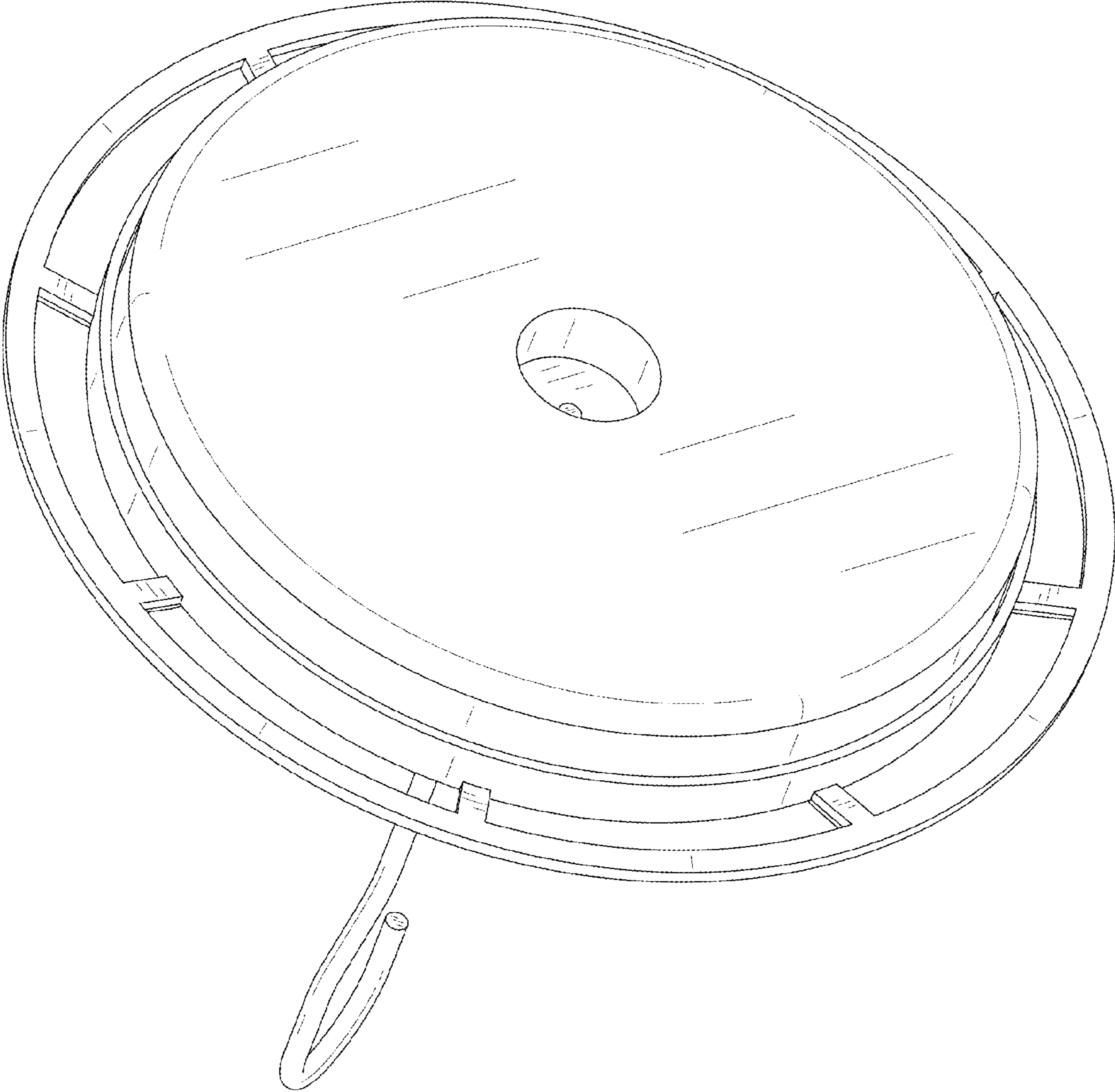


FIG. 2

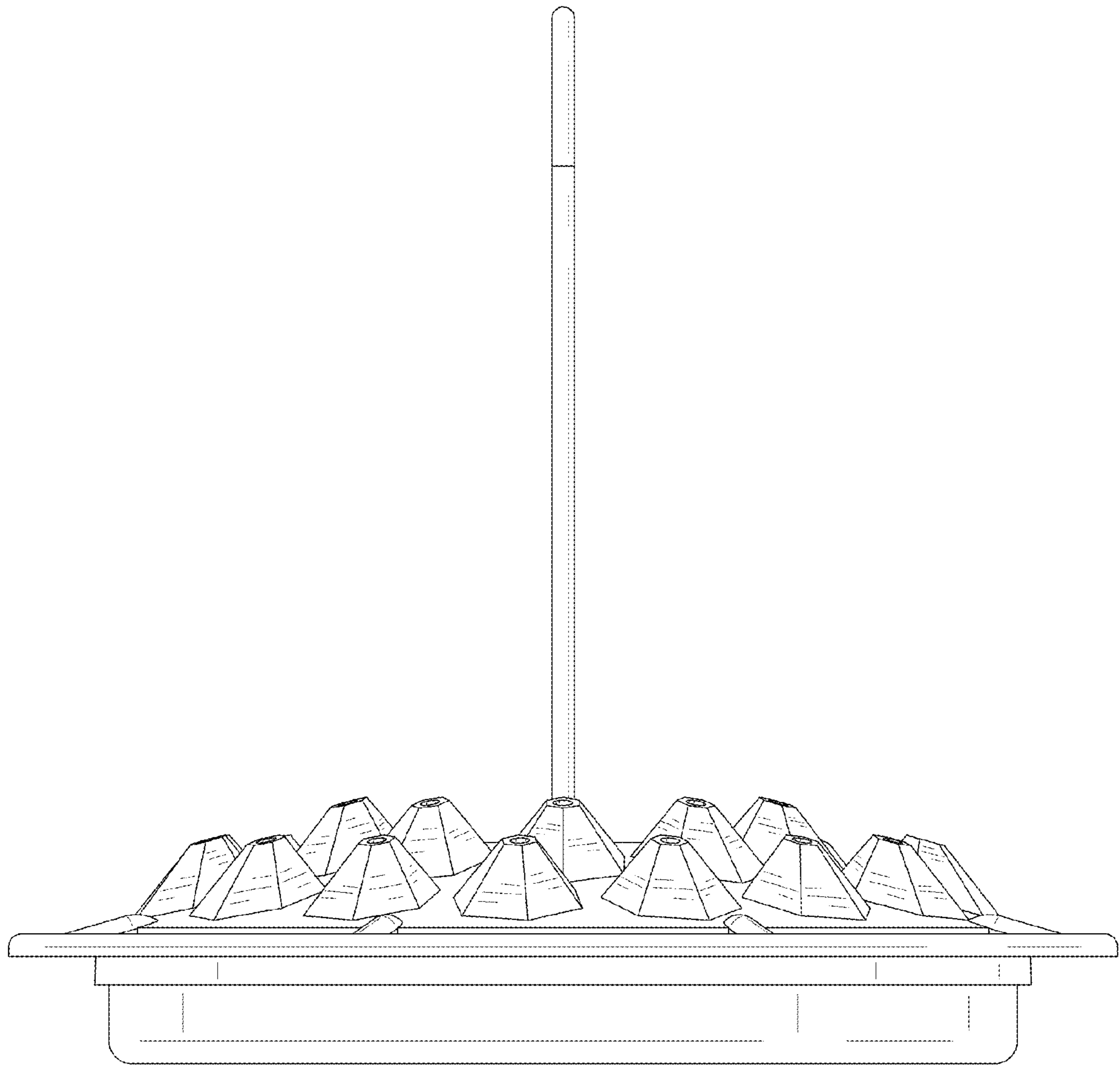


FIG. 3

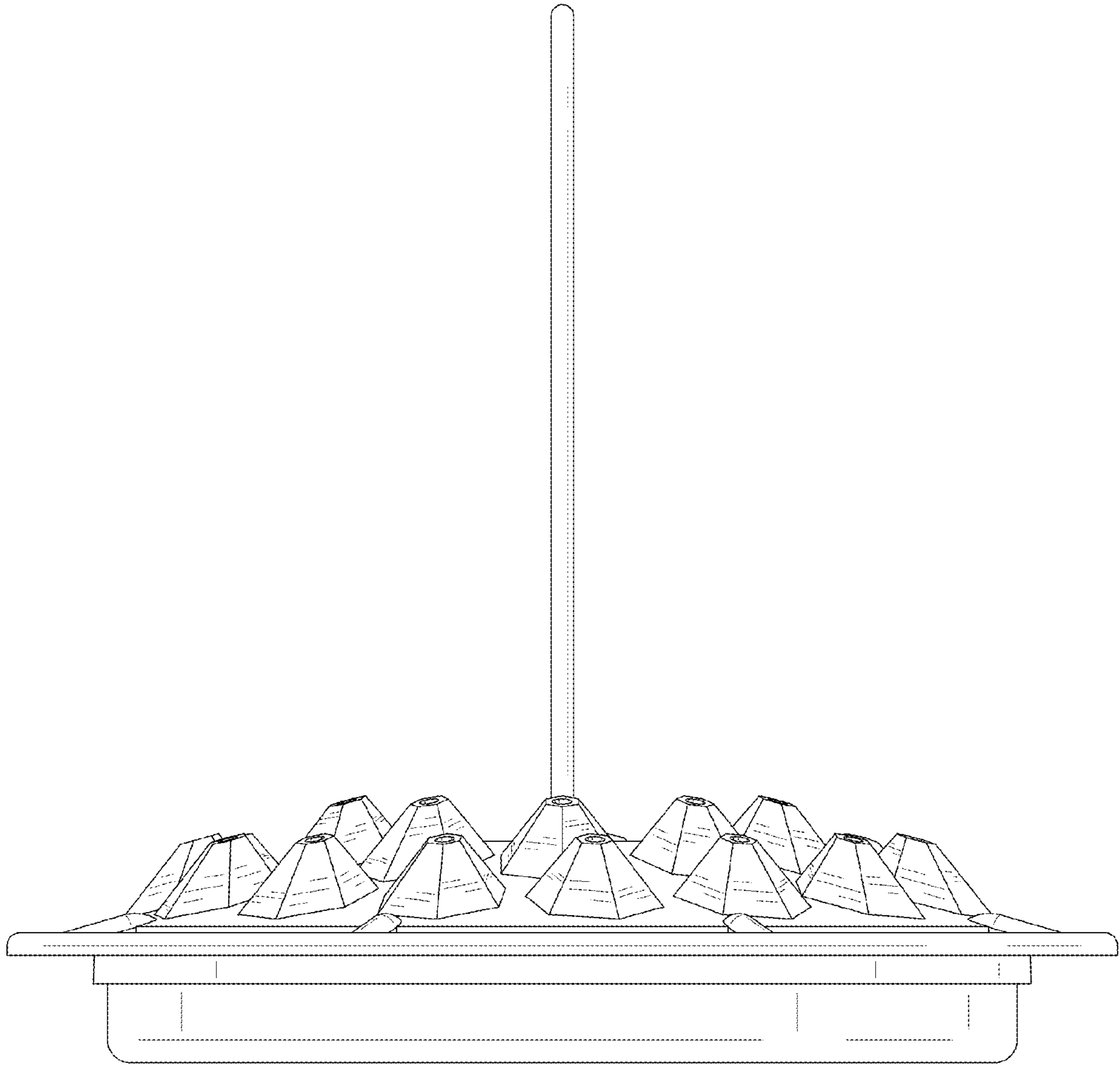


FIG. 4

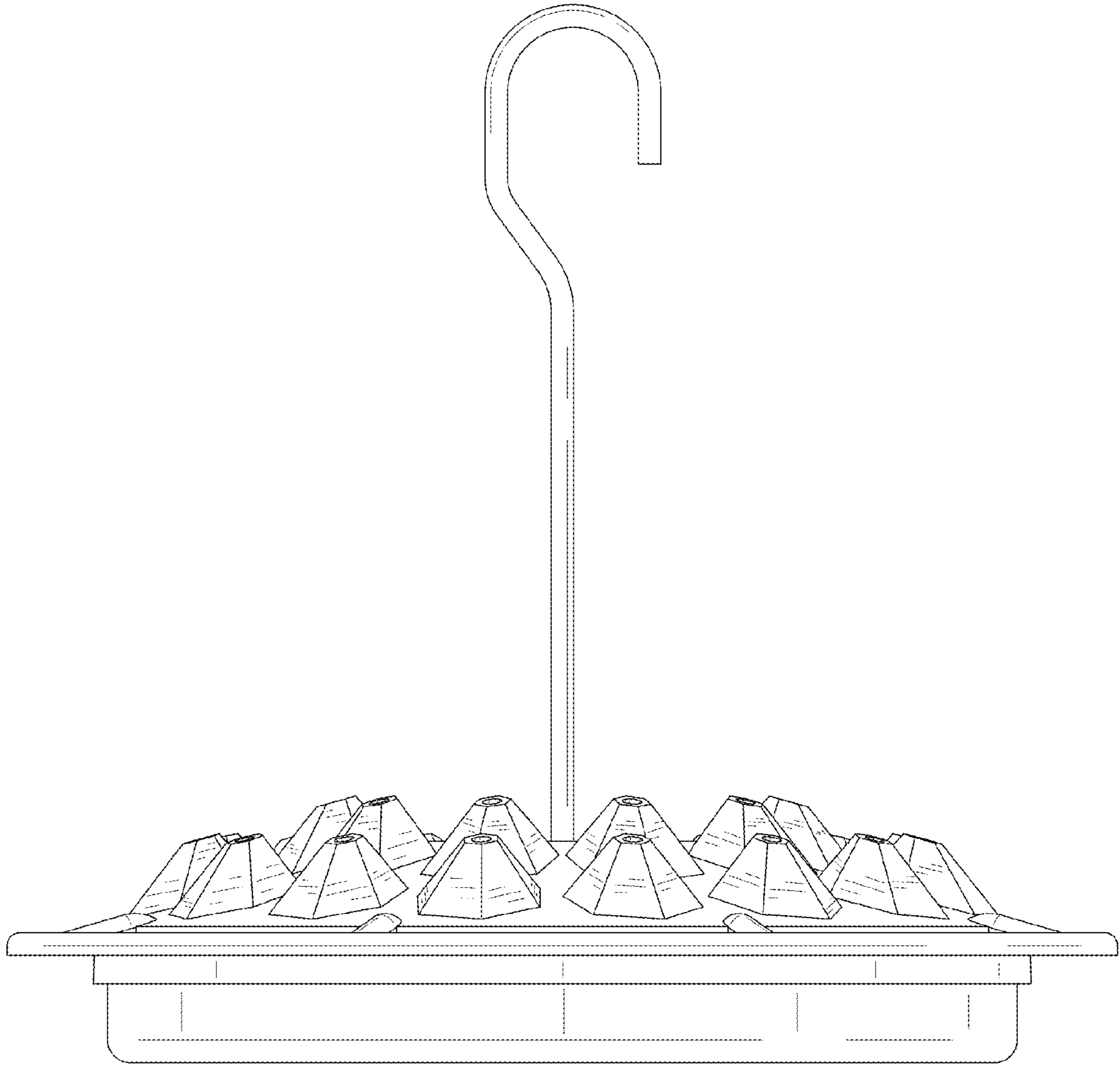


FIG. 5

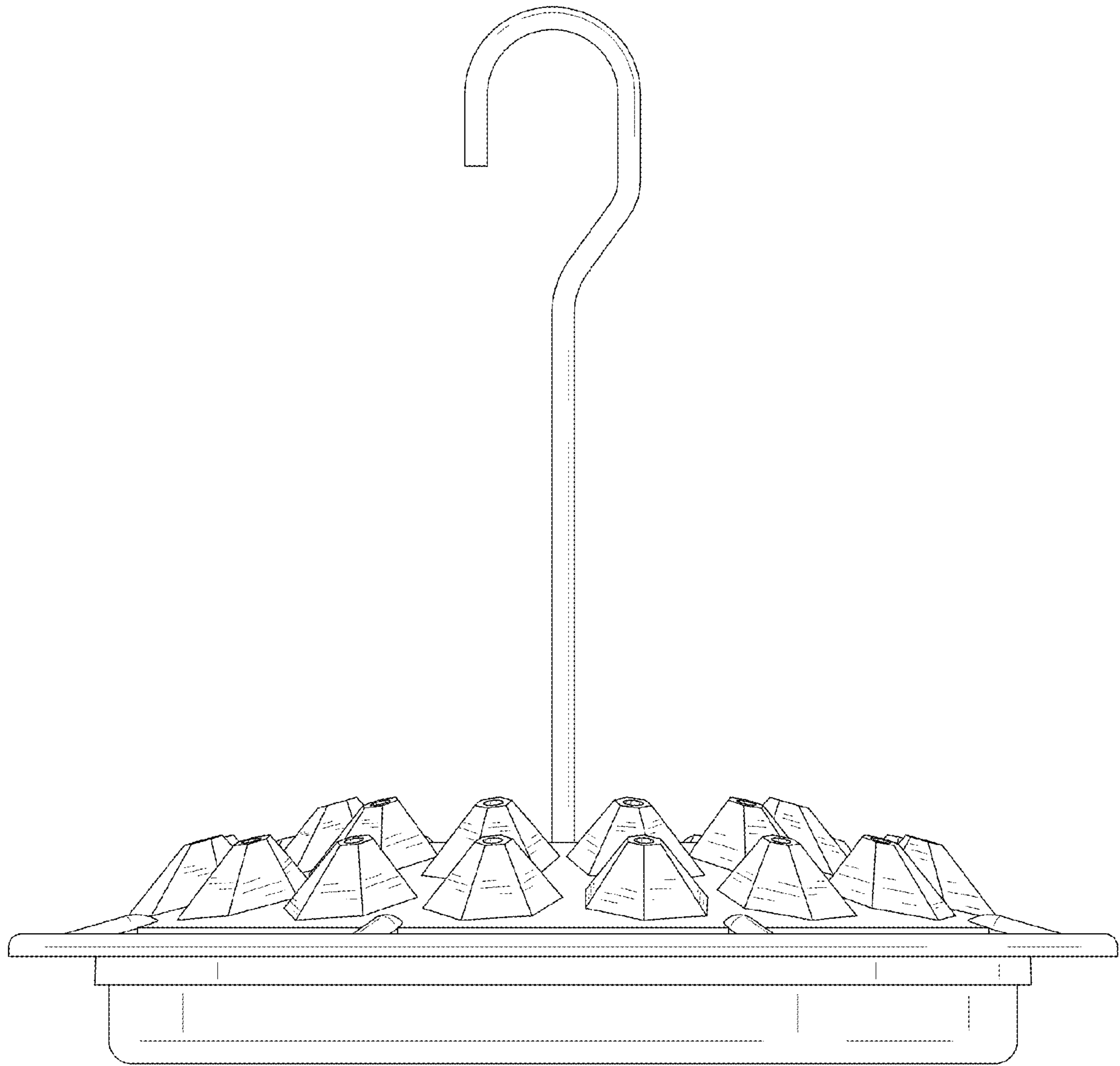


FIG. 6

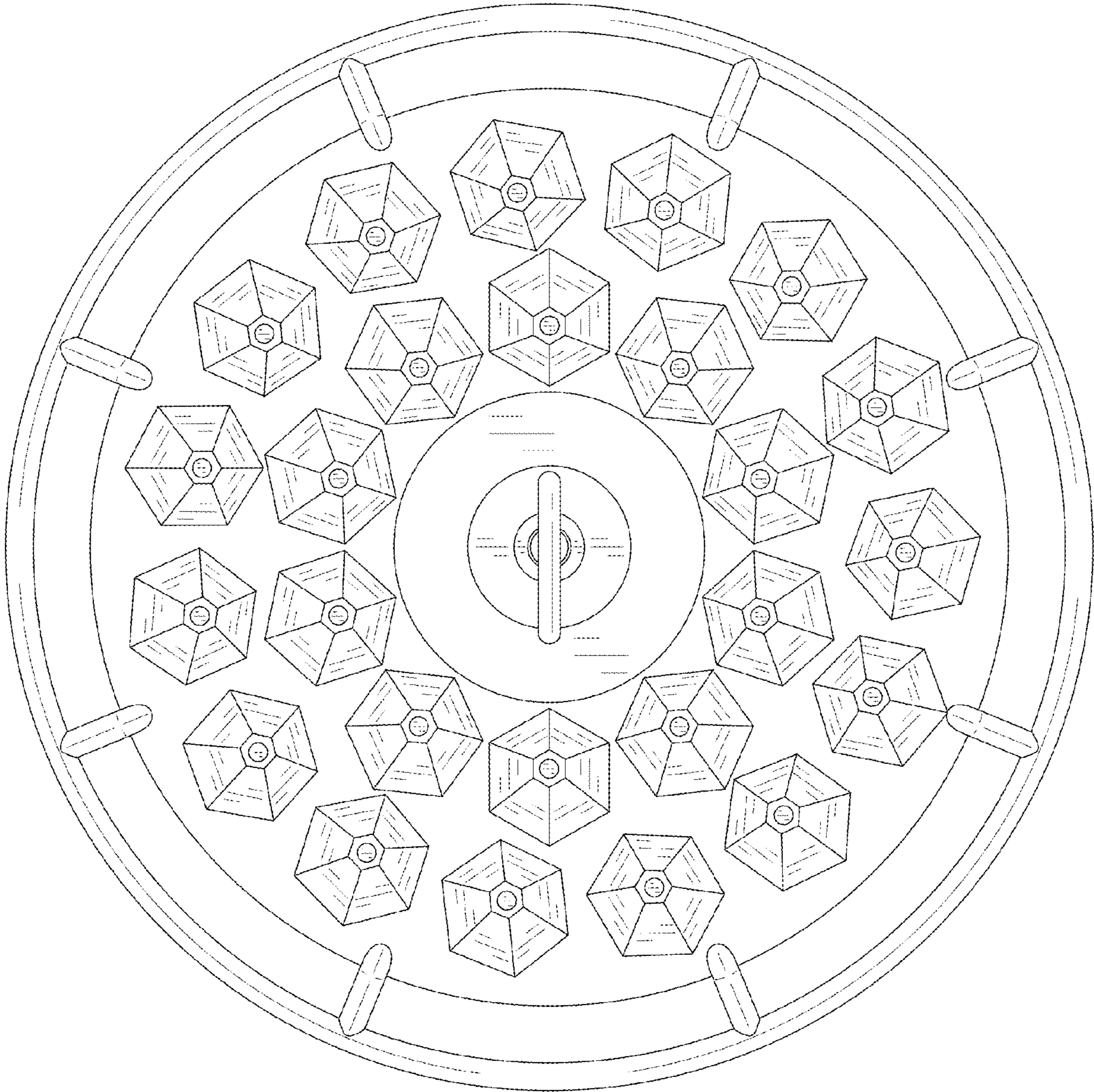


FIG. 7

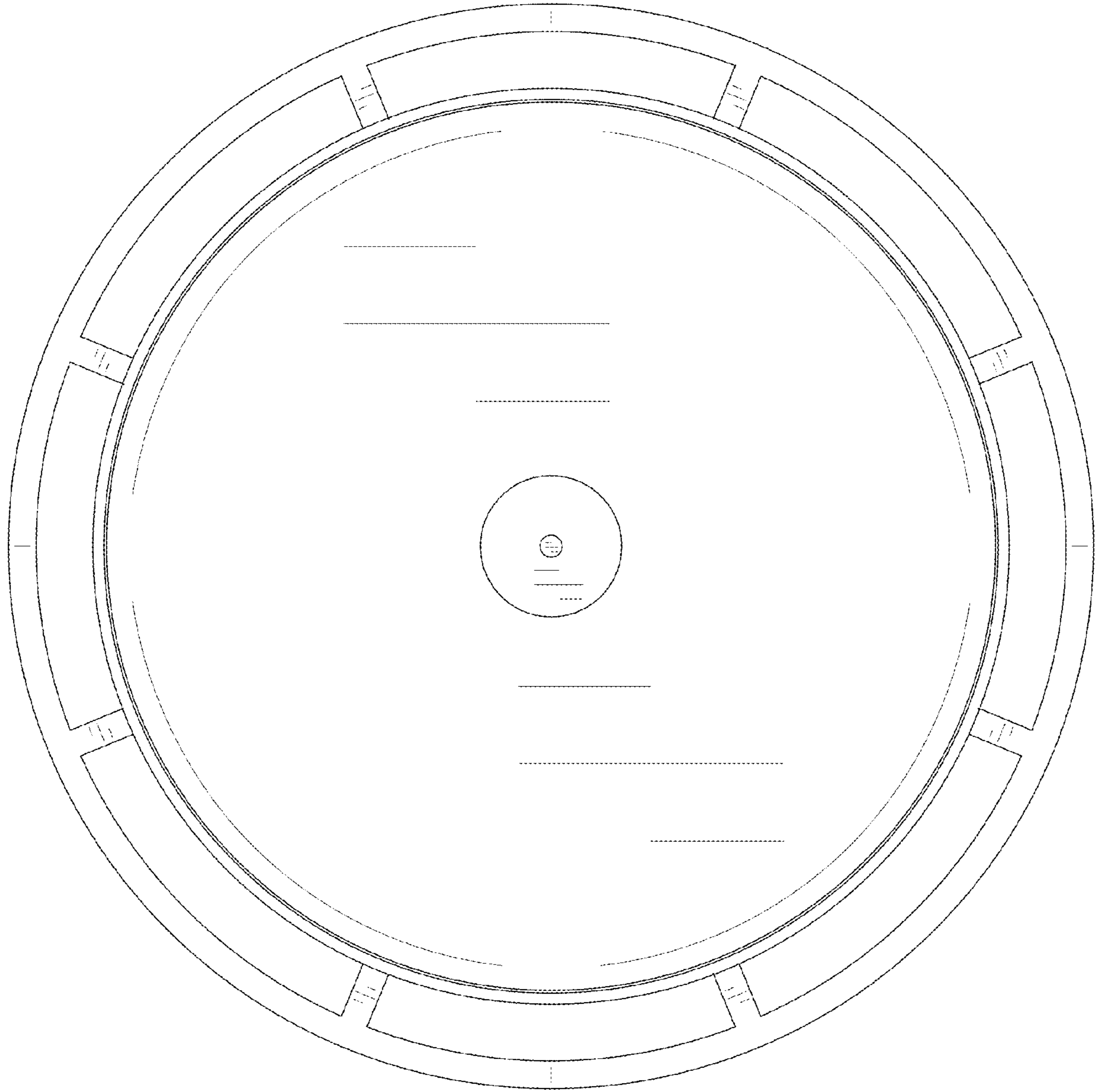


FIG. 8