

US00D977734S

(12) **United States Design Patent** (10) **Patent No.:** **US D977,734 S**
Stoutt et al. (45) **Date of Patent:** **** Feb. 7, 2023**

(54) **WINDOW BIRD FEEDER**

(71) Applicant: **BIG FISH BRANDS LTD,**
 Heckmondwike (GB)
 (72) Inventors: **Elliott Stoutt,** Heckmondwike (GB);
Joshua Asquith, Heckmondwike (GB)
 (73) Assignee: **BIG FISH BRANDS LTD,** Heckmond
 Wike (GB)
 (**) Term: **15 Years**

(21) Appl. No.: **29/766,039**

(22) Filed: **Jan. 13, 2021**

(30) **Foreign Application Priority Data**

Jul. 14, 2020 (GB) 6094735

(51) **LOC (14) Cl.** **30-03**

(52) **U.S. Cl.**
 USPC **D30/124**

(58) **Field of Classification Search**

USPC D30/121, 124, 126–129, 133, 199,
 D30/110–112, 123, 125; 119/52.2, 51.5,
 119/61.5, 57.8, 57.9, 52.3, 61.1, 531, 63,
 119/428–435, 52.4, 55, 61.3, 69.5, 75, 76;
 47/67, 83; 248/318; D11/164, 152;
 211/128.1; D27/123; D6/495, 460, 461,
 D6/476, 405
 CPC .. A01K 39/014; A01K 39/04; A01K 39/0206;
 A01K 39/00; A01K 39/01; A01K
 39/0113; A01K 39/012; A01K 39/06;
 A01K 39/0106; A01K 1/035; A01K
 5/0225; A01K 5/00; A01K 31/14; A47H
 27/00; A47G 7/044; A47G 7/045; A47G
 7/047; E06B 7/28; G09F 7/18; G09F
 17/00; F16M 13/02; F16M 13/022

See application file for complete search history.

(56) **References Cited**

U.S. PATENT DOCUMENTS

2,156,746 A * 5/1939 Steinmetz A01G 9/16
 47/40
 2,430,541 A * 11/1947 Thatcher A01K 39/014
 D30/124
 2,532,726 A * 12/1950 Lajoie A01K 39/012
 119/52.2
 2,673,551 A * 3/1954 McAnly A01K 39/012
 119/52.1
 2,709,838 A * 6/1955 Zausner A01G 9/24
 52/274
 2,858,801 A * 11/1958 Chance A01K 5/0225
 D30/131

(Continued)

OTHER PUBLICATIONS

Apr. 2022, PFNRTH Weatherproof Window Feeder, https://www.amazon.com/dp/B09NLSJQC6/ref=sspa_dk_detail_4 (Year: 2022).*

(Continued)

Primary Examiner — Susan Moon Lee

(74) *Attorney, Agent, or Firm* — Innovation Capital Law Group, LLP; Vic Lin

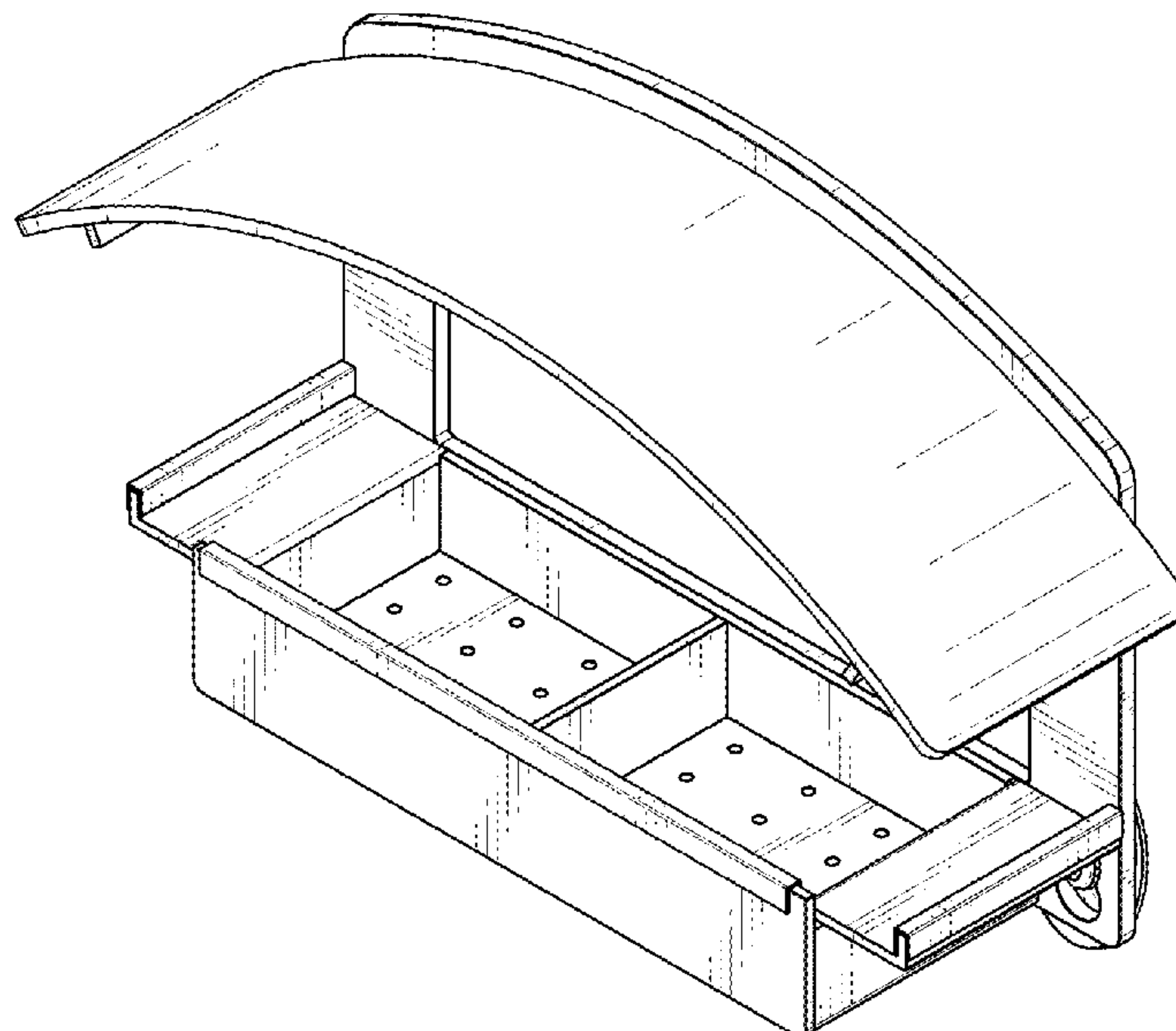
(57) **CLAIM**

The ornamental design for a window bird feeder, as shown and described.

DESCRIPTION

FIG. 1 is a front elevation view of a window bird feeder, showing our new design;
 FIG. 2 is a rear elevation view thereof;
 FIG. 3 is a left side elevation view thereof;
 FIG. 4 is a right side elevation view thereof;
 FIG. 5 is a top plan view thereof;
 FIG. 6 is a bottom plan view thereof;
 FIG. 7 is a front perspective view thereof; and,
 FIG. 8 is a rear perspective view thereof.

1 Claim, 8 Drawing Sheets



(56)

References Cited

U.S. PATENT DOCUMENTS

D187,135 S * 2/1960 McDonald D30/126
 D191,518 S * 10/1961 Olson D30/124
 3,002,236 A * 10/1961 Humphner E06B 3/28
 264/554
 D192,925 S * 5/1962 Kofsky et al. D30/124
 3,076,433 A * 2/1963 Kofsky A01K 39/014
 119/57.8
 3,086,499 A * 4/1963 Dilley A01K 39/0113
 119/431
 3,114,376 A * 12/1963 Rexroat E04H 15/30
 135/901
 3,127,697 A * 4/1964 Romenko E06B 7/28
 52/201
 3,148,479 A * 9/1964 Amato A01G 9/14
 52/63
 3,155,427 A * 11/1964 Necessary A47C 1/16
 135/900
 3,291,100 A * 12/1966 Negaard A01K 39/014
 119/57.8
 3,593,470 A * 7/1971 Francis E06B 7/28
 52/37
 D225,215 S * 11/1972 Francis D99/43
 3,946,522 A * 3/1976 Schiffman A01G 9/02
 D6/556
 4,023,306 A * 5/1977 Ruggieri, Jr. A01G 9/16
 52/63
 D249,087 S * 8/1978 Simmons D30/126
 4,261,294 A * 4/1981 Bescherer A01K 39/014
 D6/571
 D265,939 S * 8/1982 Kilham D30/124
 D268,996 S * 5/1983 Elleby, Jr. D25/48.8
 4,425,873 A * 1/1984 Rinne, Jr. A01K 39/012
 119/53
 D274,013 S * 5/1984 Sun D30/124
 D277,704 S * 2/1985 Dehls D30/124
 4,541,362 A * 9/1985 Dehls A01K 39/0113
 119/63
 D285,847 S * 9/1986 Read D30/124
 4,753,195 A * 6/1988 Maggio A01K 39/01
 119/52.2
 4,865,066 A * 9/1989 Brooks G09F 15/00
 52/285.3
 4,881,491 A * 11/1989 Brown A01K 39/00
 119/51.01
 4,892,060 A * 1/1990 Lundquist A01K 39/012
 119/52.2
 5,016,571 A * 5/1991 Totaro A01K 31/14
 119/428
 D329,723 S * 9/1992 Carpenter D30/126
 5,170,747 A * 12/1992 Strangio A01K 45/00
 119/428
 D334,636 S * 4/1993 Honeycutt D30/118
 D342,589 S * 12/1993 Bransky D30/124
 D342,590 S * 12/1993 Bransky D30/124
 D350,627 S * 9/1994 Moniak D30/124
 D351,690 S * 10/1994 Honeycutt D30/124
 5,400,557 A * 3/1995 Glover E06B 1/363
 52/201
 D359,146 S * 6/1995 Finch D30/124
 D392,777 S * 3/1998 Scribner D30/131
 D396,331 S * 7/1998 Niemetz D30/124

5,842,438 A * 12/1998 Messmer A01K 1/035
 119/484
 D405,634 S * 2/1999 Smith D6/574
 D407,863 S * 4/1999 Leal D30/124
 5,890,455 A * 4/1999 Donchey A01K 1/035
 119/497
 5,904,330 A * 5/1999 Manico G03B 29/00
 119/51.01
 5,924,381 A * 7/1999 Bloedorn A01K 39/012
 119/462
 D424,249 S * 5/2000 Banzaca D30/119
 D425,675 S * 5/2000 Bonder D30/124
 6,062,167 A * 5/2000 Soley A01K 39/00
 119/57.8
 D448,298 S * 9/2001 Simkins D9/455
 6,321,686 B2 * 11/2001 Geis A01K 39/0113
 119/429
 6,363,886 B1 * 4/2002 Statton A01K 39/014
 119/51.5
 6,560,937 B1 * 5/2003 Gardner E06B 3/92
 52/201
 D487,660 S * 3/2004 Sayers D6/513
 D501,960 S * 2/2005 Oen D30/112
 7,229,056 B2 * 6/2007 Rosser A47G 7/044
 47/68
 D561,955 S * 2/2008 McDonough D30/119
 7,467,599 B2 * 12/2008 Jensen A01K 5/01
 119/51.01
 8,025,030 B1 * 9/2011 Litwin A01K 39/012
 119/52.2
 D658,338 S * 4/2012 Law D30/124
 8,833,305 B2 * 9/2014 Macpherson A01K 5/0142
 119/61.5
 9,137,974 B2 * 9/2015 Boehm A01K 31/007
 9,295,222 B2 * 3/2016 Martinez E06B 7/28
 D762,016 S * 7/2016 Yates D30/121
 D780,581 S * 3/2017 Tulencik D9/455
 D780,582 S * 3/2017 Tulencik D9/455
 D791,414 S * 7/2017 Wilgus D30/127
 9,702,502 B2 * 7/2017 Hudepohl F16M 13/022
 D831,899 S * 10/2018 Ellis D30/126
 10,194,642 B2 * 2/2019 Ellis A01K 39/0206
 D863,693 S * 10/2019 Ellis D30/124
 D899,702 S * 10/2020 Thorn D30/124
 D907,864 S * 1/2021 Schwartz D30/131
 D927,091 S * 8/2021 Aviv D30/124
 D935,704 S * 11/2021 Zhang D30/124
 D954,355 S * 6/2022 Mihlbauer D30/108
 D957,745 S * 7/2022 Mihlbauer D30/108
 11,375,841 B2 * 7/2022 Ellis A47H 27/00
 2006/0137618 A1 * 6/2006 Poirier A01K 31/06
 119/57.8
 2014/0182518 A1 * 7/2014 Boehm A01K 31/007
 119/429
 2015/0342153 A1 * 12/2015 Hudepohl F16M 13/022
 119/61.3
 2018/0035650 A1 * 2/2018 Ellis A01K 39/04
 2019/0059626 A1 * 2/2019 Ellis A01K 1/035

OTHER PUBLICATIONS

May 2021, NIUXX Two-Sectioned Removable Seed Tray Window Bird Feeder: https://www.amazon.com/dp/B08SBWDWT1/ref=sbl_dpx_outdoor-feeders_B09NLSJQC6_0 (Year: 2021).*

* cited by examiner

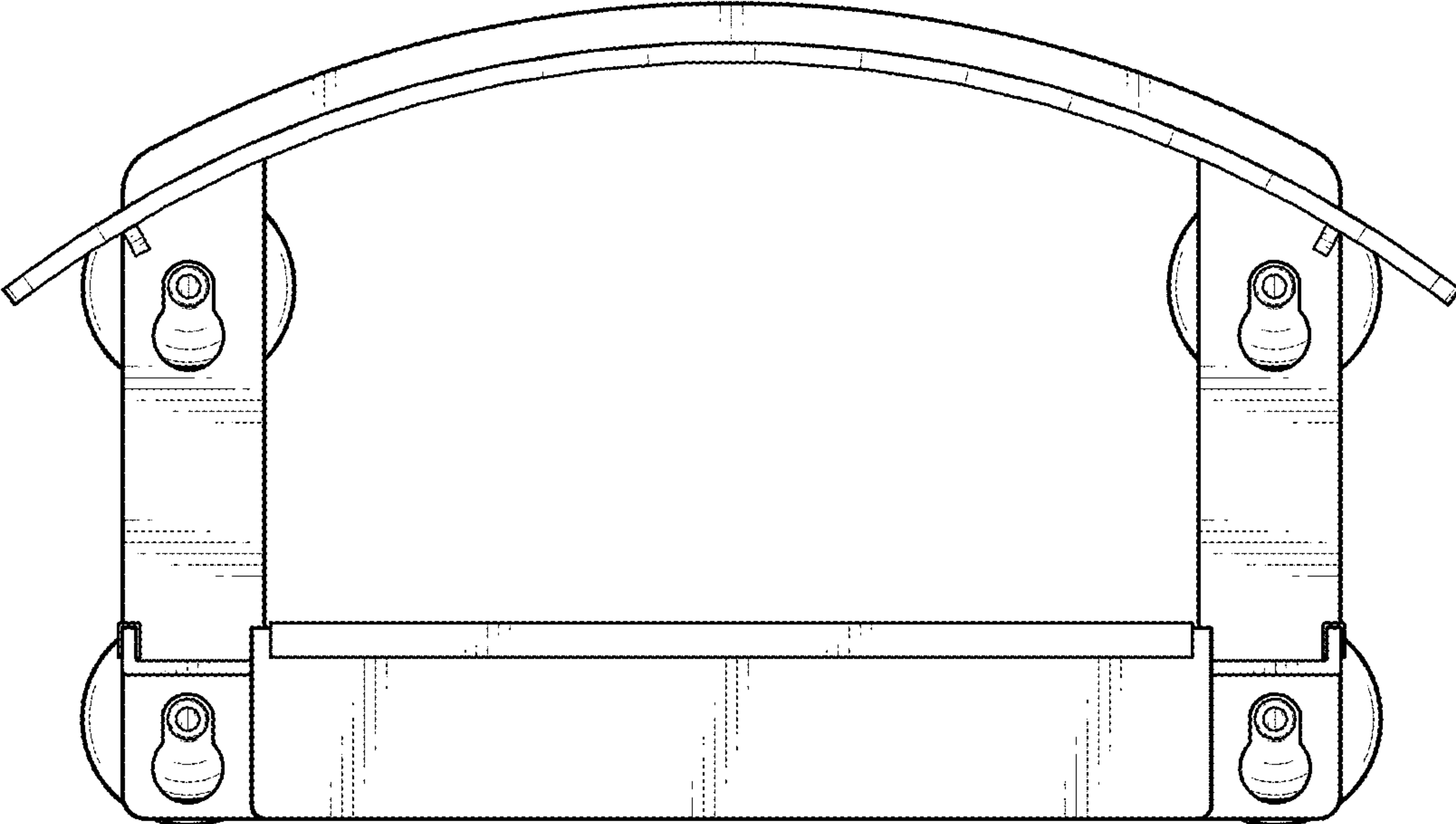


FIG. 1

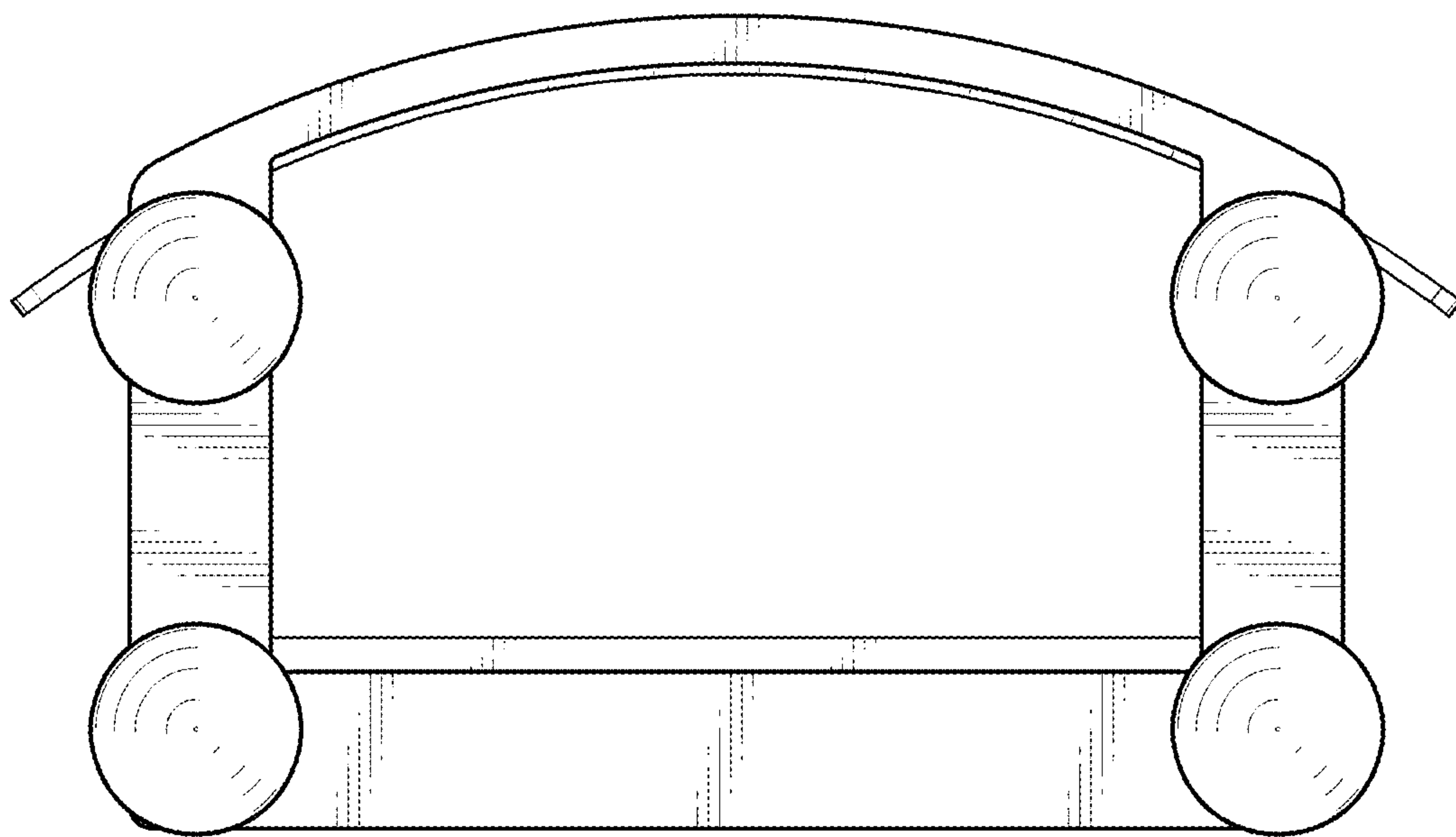


FIG. 2

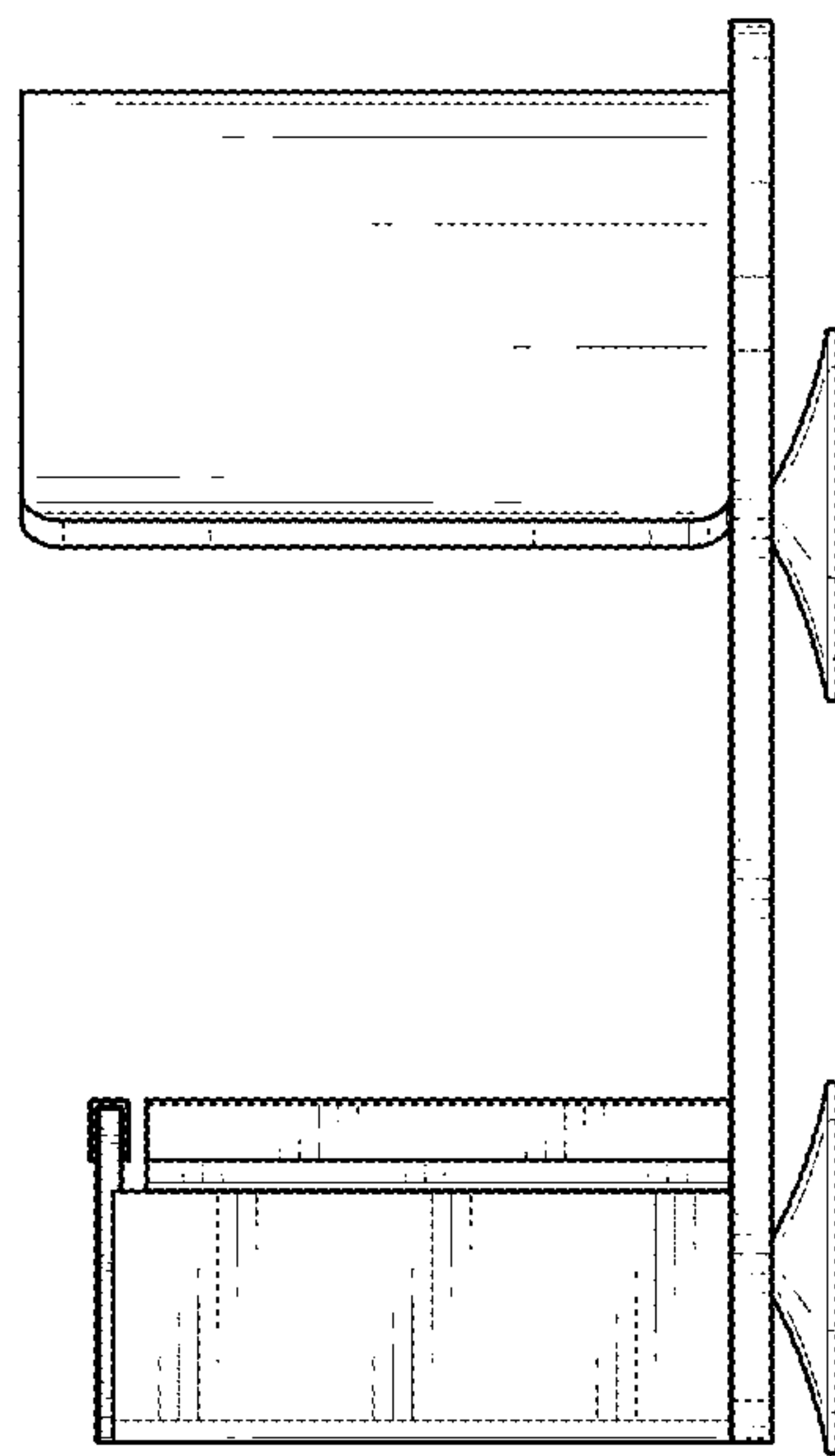


FIG. 3

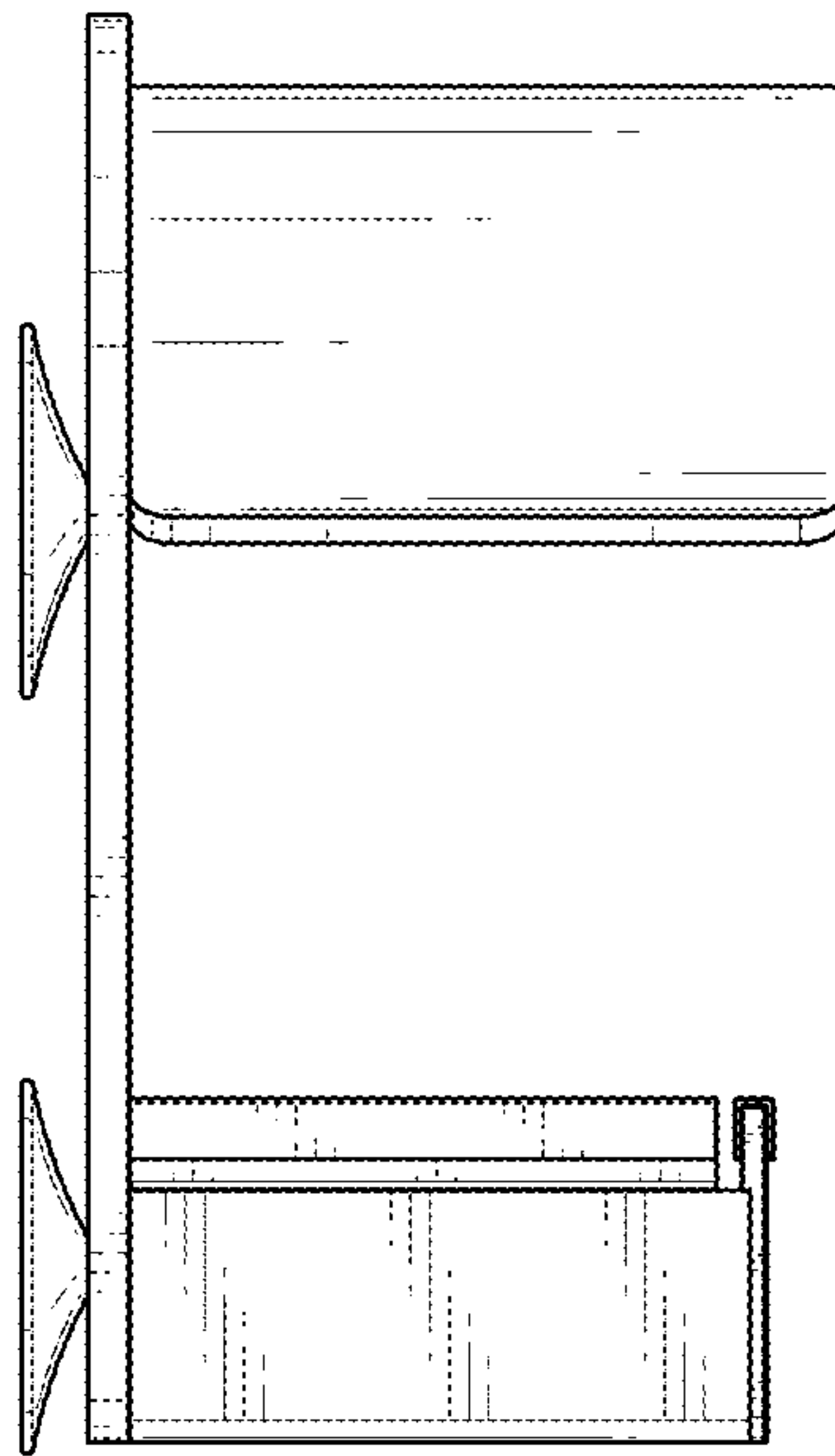


FIG. 4

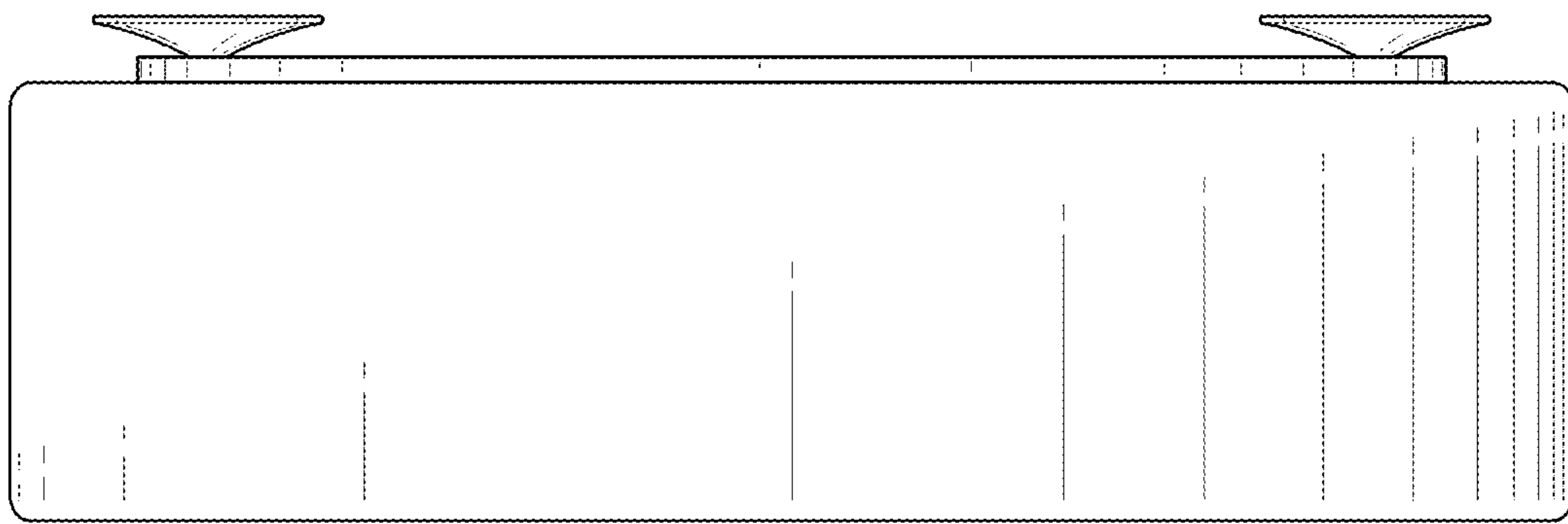


FIG. 5

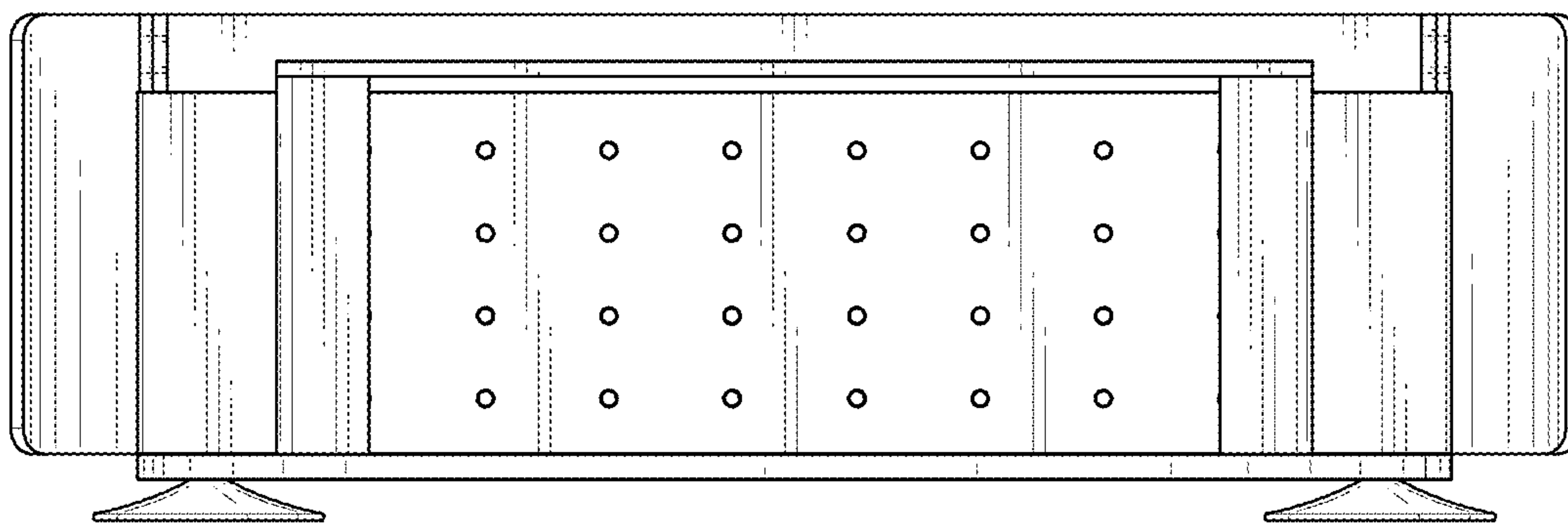


FIG. 6

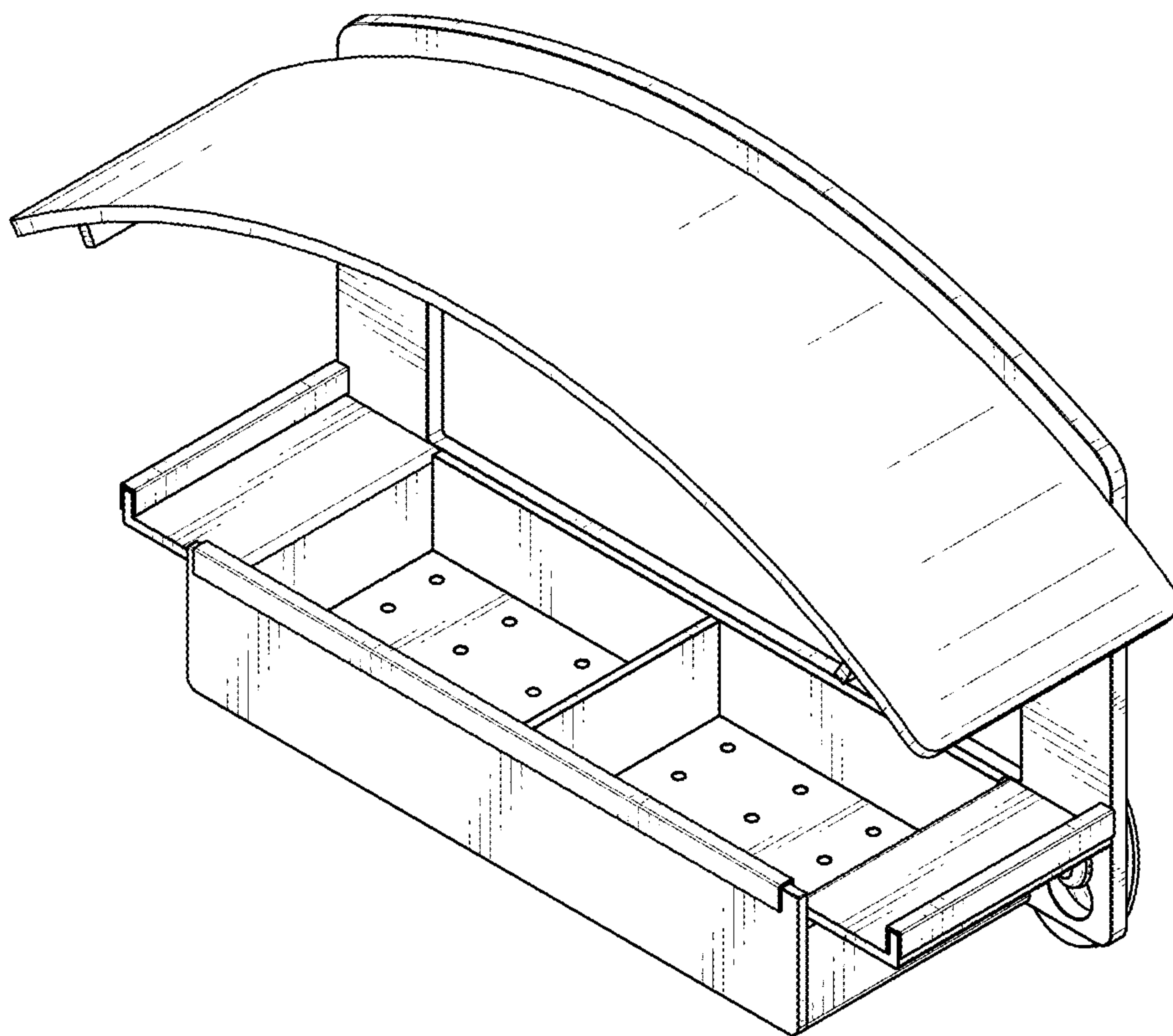


FIG. 7

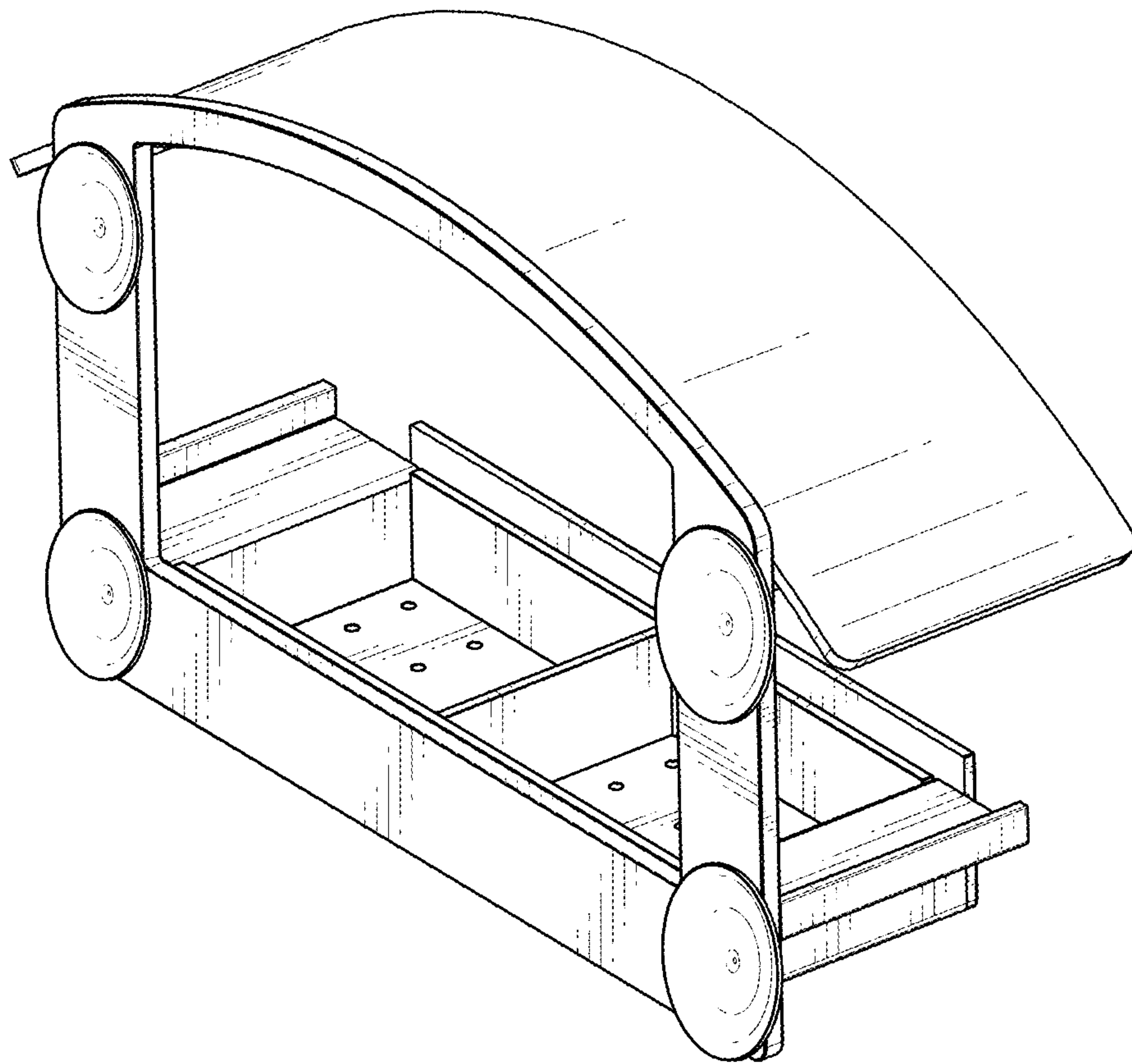


FIG. 8