



US00D977733S

(12) **United States Design Patent** (10) **Patent No.:** **US D977,733 S**  
**Treverton** (45) **Date of Patent:** **\*\* Feb. 7, 2023**

- (54) **BIRD FEEDER SHELTER**
- (71) Applicant: **Percy Treverton**, Trenton (CA)
- (72) Inventor: **Percy Treverton**, Trenton (CA)
- (\*\*) Term: **15 Years**
- (21) Appl. No.: **29/751,498**
- (22) Filed: **Sep. 22, 2020**
- (51) **LOC (14) Cl.** ..... **30-03**
- (52) **U.S. Cl.**  
USPC ..... **D30/124**
- (58) **Field of Classification Search**  
USPC ..... D30/121, 122, 123, 124, 125, 126, 127,  
D30/128, 129, 130, 131, 132, 133;  
119/70, 71, 52.2, 52.3, 52.4, 53, 53.5, 54,  
119/55, 57.8, 57.9, 57.91, 69.5  
CPC ..... A01K 1/0353; A01K 5/00; A01K 39/02;  
A01K 39/04; A01K 39/0213  
See application file for complete search history.

7,162,975	B1	1/2007	Nauert	
D546,506	S *	7/2007	Barszcz .....	D30/128
D609,864	S *	2/2010	Tsai .....	D30/127
D612,105	S *	3/2010	Capalbo .....	D30/110
D638,588	S *	5/2011	Vosbikian .....	D30/127
D688,010	S	8/2013	DiOrio	
10,271,525	B2	4/2019	Colvin	
2003/0033985	A1	2/2003	Hardison	
2016/0374318	A1*	12/2016	Colvin .....	A01K 39/014 119/74

OTHER PUBLICATIONS

“Extra Large Hanging Disk Squirrel Baffle, Copper Tint” available Apr. 16, 2019, [online], [site visited Feb. 25, 2022], Retrieved from Internet, URL:https://www.duncraft.com/index/page/product/product\_id/4257/product\_name/Extra+Large+Hanging+Disk+Squirrel+Baffle,+Copper+Tint (Year: 2019).\*

(Continued)

Primary Examiner — Katrina N Gonzalez

(57) **CLAIM**

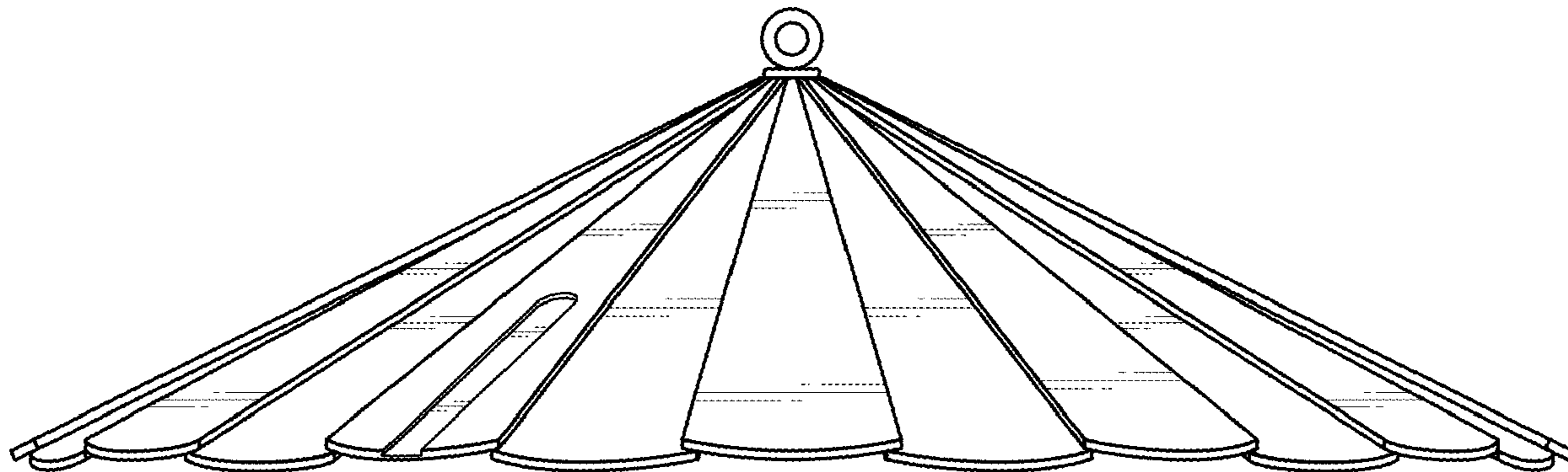
I claim the ornamental design for a bird feeder shelter, as shown and described.

**DESCRIPTION**

FIG. 1 is a perspective view of the bird feeder shelter shown in a usage state in an environmental view.  
FIG. 2 is a right side view of the claimed design.  
FIG. 3 is a left side view of the claimed design.  
FIG. 4 is a front view of the claimed design.  
FIG. 5 is a back view of the claimed design.  
FIG. 6 is a top view of the claimed design; and,  
FIG. 7 is a bottom view of the claimed design.  
The broken lines shown in FIG. 1 illustrate environmental structure. The broken lines shown in FIG. 7 illustrate portions of the bird feeder shelter. The broken lines form no part of the claimed design.

**1 Claim, 7 Drawing Sheets**

- (56) **References Cited**  
U.S. PATENT DOCUMENTS  
D115,321 S \* 6/1939 Pueschel ..... 119/52.2  
2,591,126 A \* 4/1952 Breck, Jr. .... A01K 39/012  
119/52.2  
D217,470 S \* 5/1970 Morrow ..... D30/128  
3,696,792 A \* 10/1972 Bruhns ..... A01K 31/14  
119/432  
D244,098 S 4/1977 Kilham  
4,030,451 A 6/1977 Miller  
4,102,308 A 7/1978 Kilham  
D252,162 S 6/1979 Barry  
D386,836 S \* 11/1997 Hunt ..... D30/124  
5,893,335 A 4/1999 Goodwin  
D497,458 S 10/2004 Nauert



(56)

**References Cited**

OTHER PUBLICATIONS

“Hummingbird Feeders” available Feb. 25, 2022, [online], [site visited Feb. 25, 2022]. Retrieved from Internet, URL:<https://birdwatcherssupplyandgifts.com/hummingbird-feeders/> (Year: 2022).\*

“Achla Hanging Squirrel Baffles” available Feb. 25, 2022, [online], [site visited Feb. 25, 2022]. Retrieved from Internet, URL:[https://www.bestnest.com/bestnest/RTPProduct.asp?SKU=ACD-BGD-03-CP2&src=froogle&kw=ACD-BGD-03-CP2&gclid=EAIalQobChMlZsmBwbSc9gIVFFNyCh0wKw8vEAKYDCABEgKEZvD\\_BwE](https://www.bestnest.com/bestnest/RTPProduct.asp?SKU=ACD-BGD-03-CP2&src=froogle&kw=ACD-BGD-03-CP2&gclid=EAIalQobChMlZsmBwbSc9gIVFFNyCh0wKw8vEAKYDCABEgKEZvD_BwE) (Year: 2022).\*

\* cited by examiner

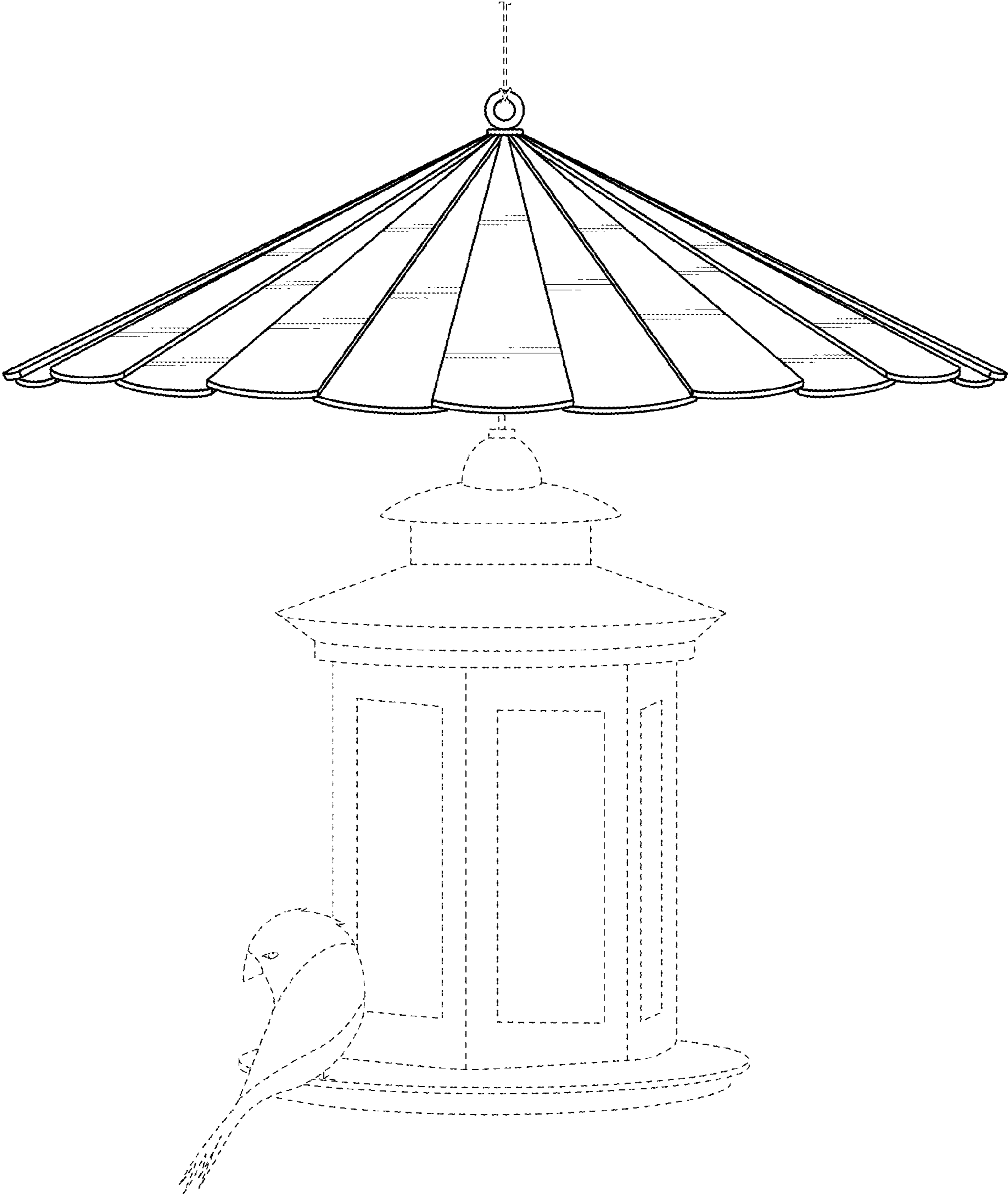


FIG. 1

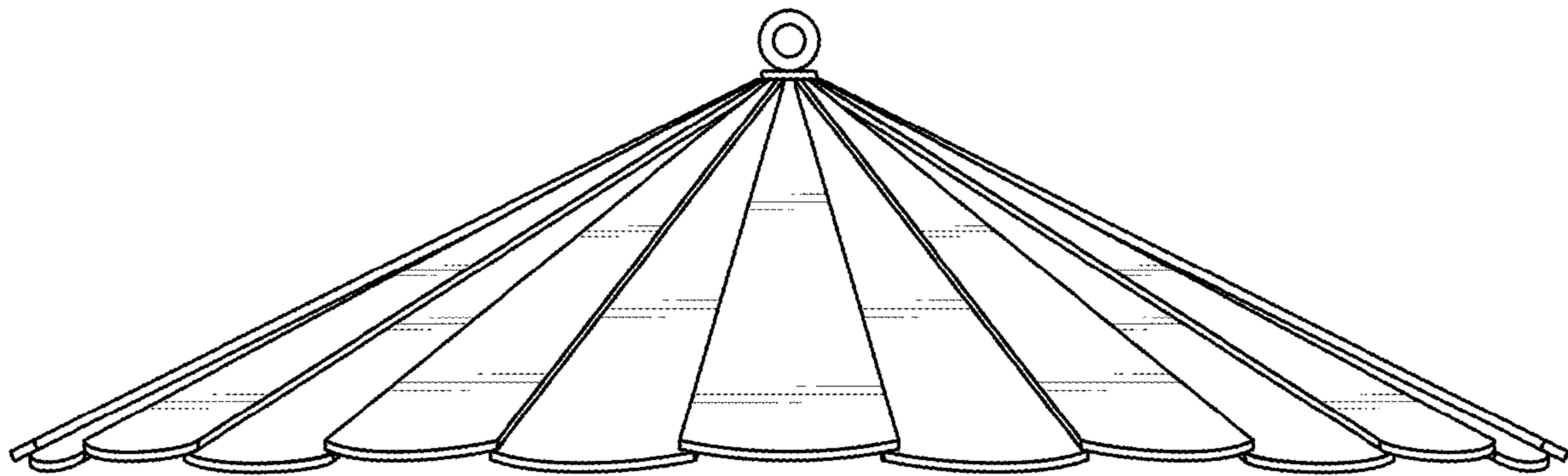


FIG. 2

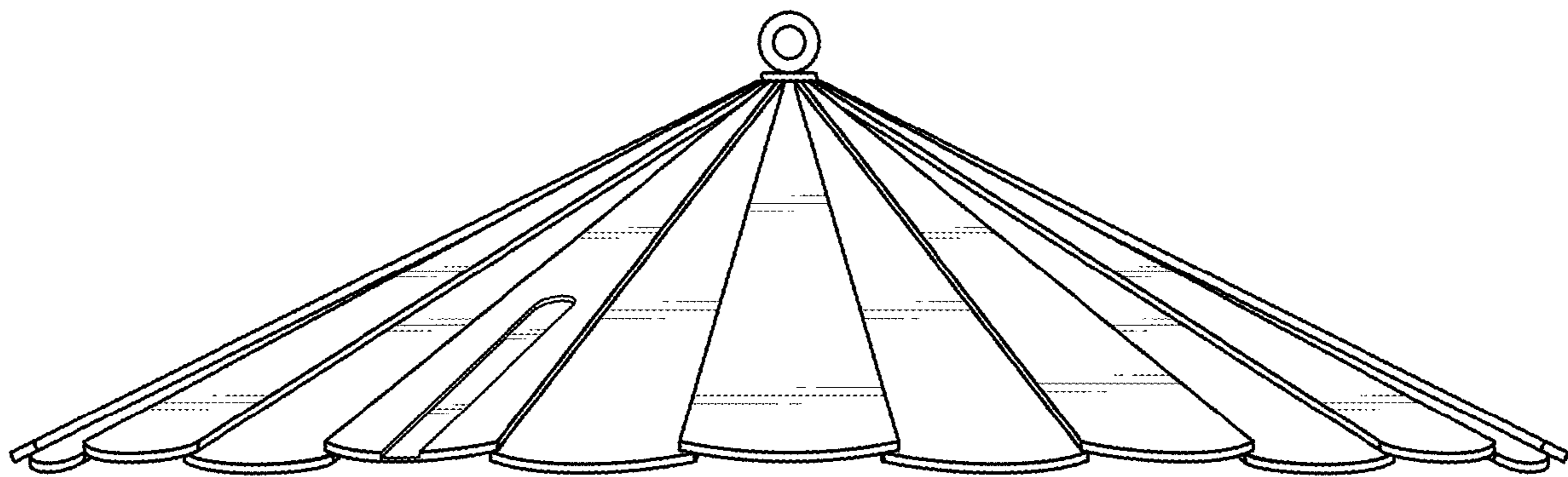


FIG. 3

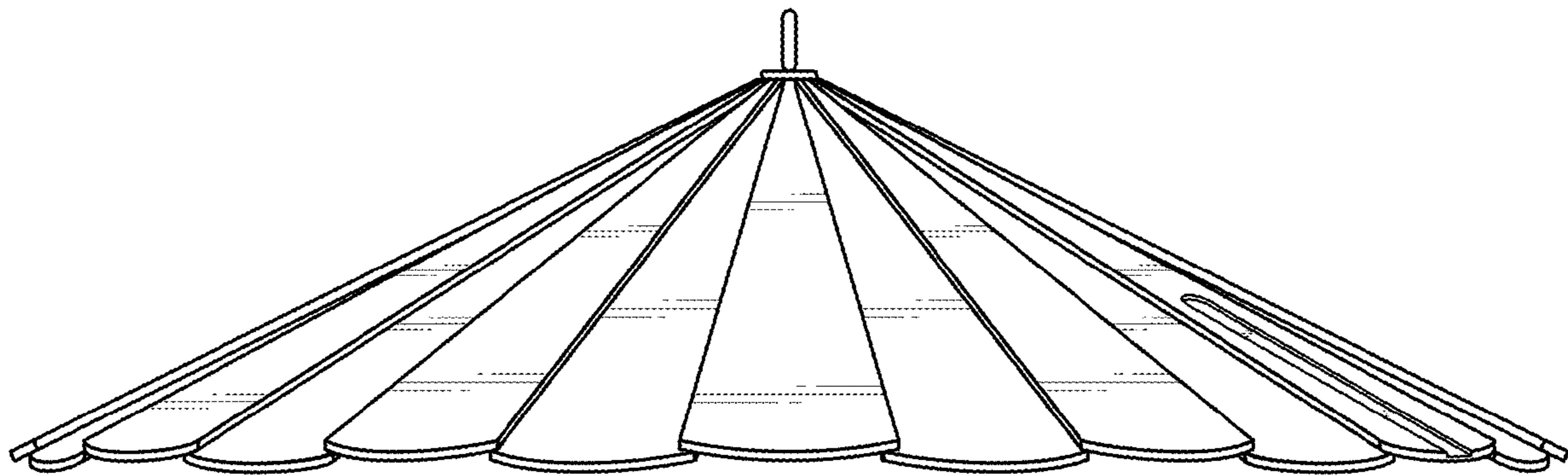


FIG. 4

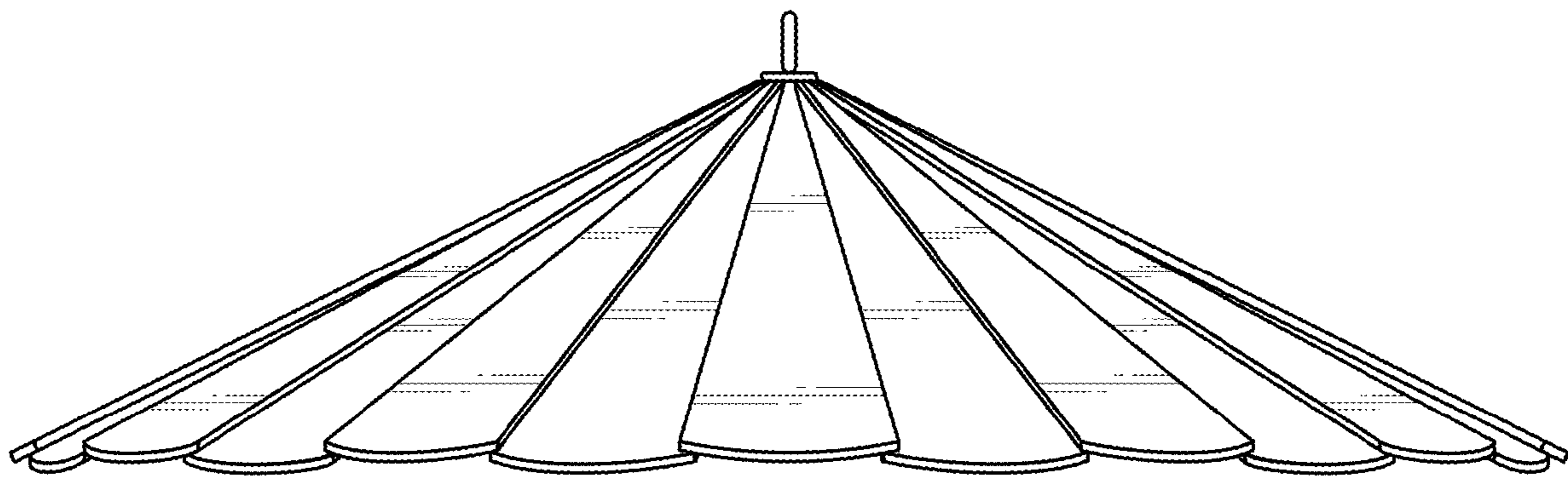


FIG. 5

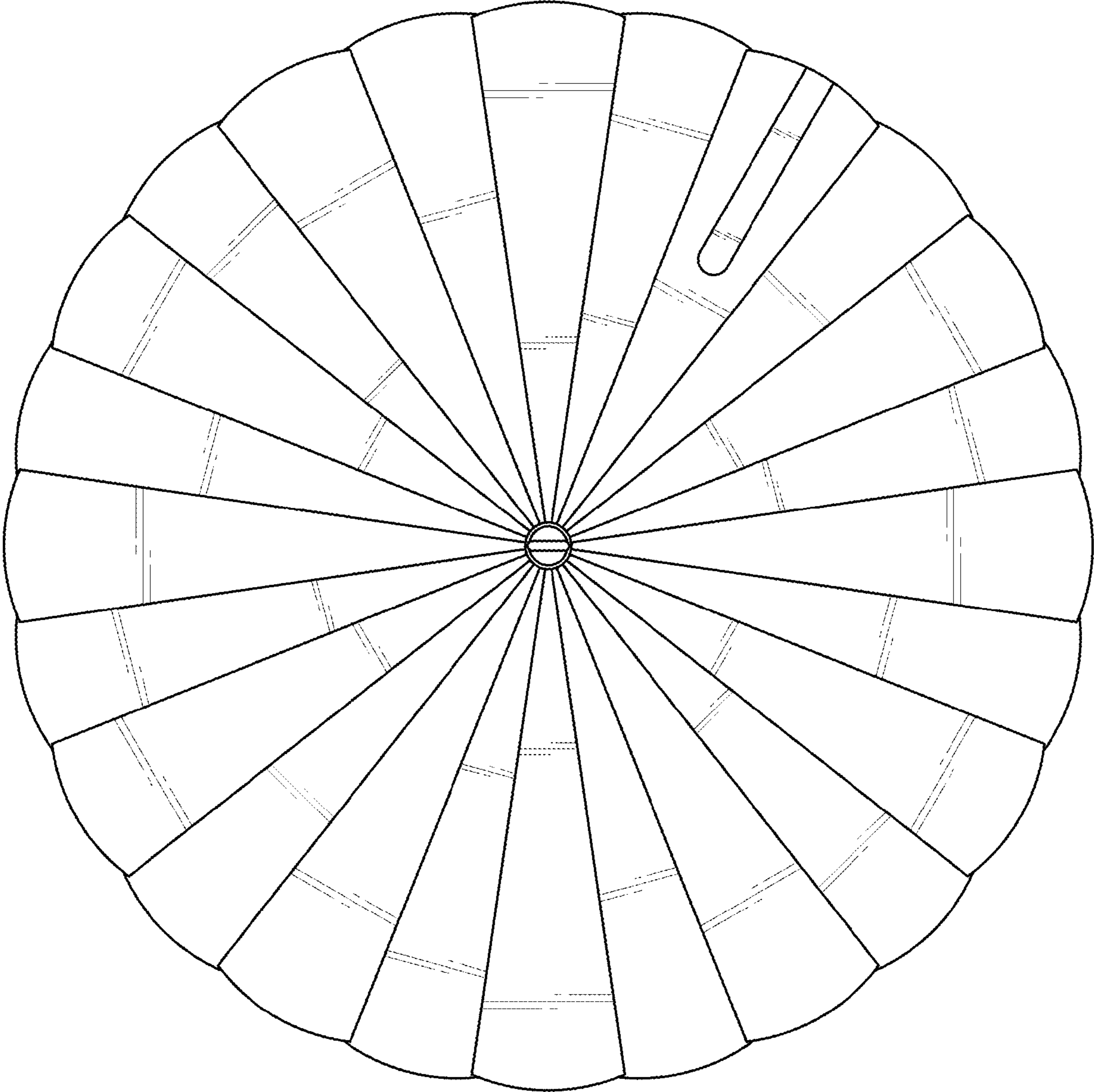


FIG. 6



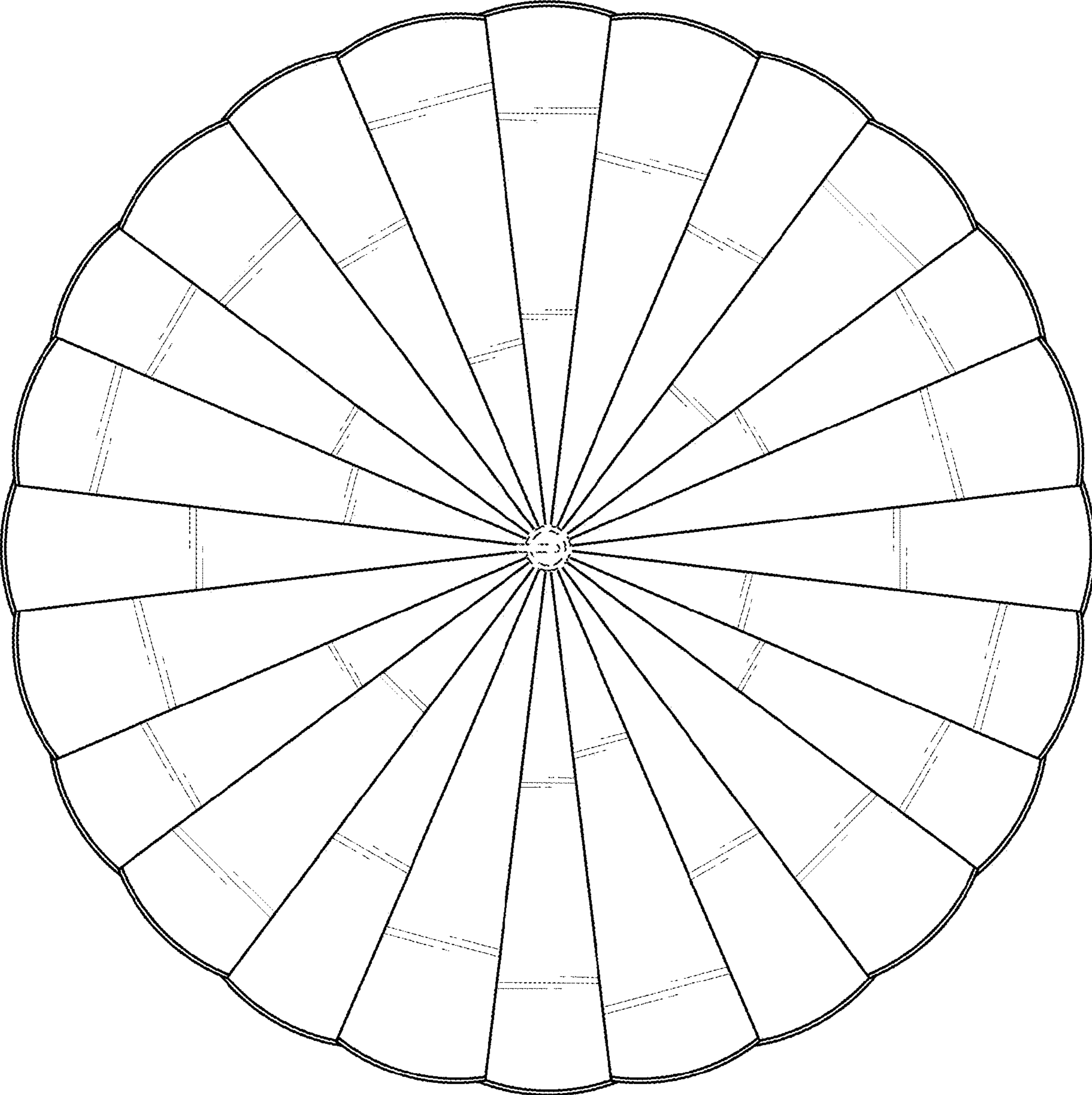


FIG. 7