



US00D977731S

(12) **United States Design Patent** (10) **Patent No.:** **US D977,731 S**  
**Ryu** (45) **Date of Patent:** **\*\* Feb. 7, 2023**

(54) **CAR SEAT FOR PETS**

(71) Applicant: **Hyun Soo Ryu**, Seoul (KR)

(72) Inventor: **Hyun Soo Ryu**, Seoul (KR)

(\*\*) Term: **15 Years**

(21) Appl. No.: **29/740,449**

(22) Filed: **Jul. 3, 2020**

(51) **LOC (14) Cl.** ..... **30-06**

(52) **U.S. Cl.**  
USPC ..... **D30/118**

(58) **Field of Classification Search**  
USPC ..... D30/158-161, 199, 108-120; D6/596,  
D6/601, 608, 610-613, 616, 617, 334,  
D6/715, 715.1, 715.2, 716, 716.1;  
D12/203, 416

CPC .. A01K 1/0272; A01K 1/0281; A01K 1/0353;  
A47K 11/02; A47K 11/06

See application file for complete search history.

(56) **References Cited**

U.S. PATENT DOCUMENTS

5,005,526	A *	4/1991	Parker	.....	A01K 1/0272 119/751
D366,368	S *	1/1996	McCarthy	.....	5/655
5,551,373	A *	9/1996	O'Donnell	.....	A01K 1/0272 119/28.5
D398,802	S *	9/1998	Quinn	.....	D6/333
D505,754	S *	5/2005	Cohen-Fyffe	.....	D30/118
7,204,205	B2 *	4/2007	O'Donnell	.....	A01K 1/0272 119/28.5
7,383,789	B2 *	6/2008	Wilkes	.....	A01K 1/0272 119/28.5
D591,005	S *	4/2009	Bennett	.....	D30/118
D592,361	S *	5/2009	Jakubowski	.....	D30/118
D629,164	S *	12/2010	Lamstein	.....	D30/118
D728,167	S *	4/2015	Renforth	.....	D30/109
D882,185	S *	4/2020	Stein	.....	D30/118
D894,497	S *	8/2020	Twining	.....	D30/118
D930,266	S *	9/2021	Liu	.....	D30/118

OTHER PUBLICATIONS

amazon.com, Queens Nose Premium Dog Car Seat. Accessed online on Jul. 3, 2020 at <<https://www.amazon.com/Black-Nose-Premium-Seat-Booster/dp/B07GZJ17M1/ref=cm\_cr\_arp\_d\_product\_top?ie=UTF8>>. First made public on Jul. 3, 2019. This prior disclosure by the inventor does not constitute a prior art as being an exception under 35 USC 102(1)(A).

\* cited by examiner

*Primary Examiner* — Sheryl Lane

*Assistant Examiner* — Aula Soroush

(74) *Attorney, Agent, or Firm* — Novick, Kim & Lee PLLC; Jae Youn Kim

(57) **CLAIM**

I claim, the ornamental design for a car seat for pets, as shown and described.

**DESCRIPTION**

FIG. 1 a perspective view of a car seat for pets showing my new design;

FIG. 2 is a front elevational view thereof;

FIG. 3 is a rear elevational view thereof;

FIG. 4 is a left side elevational view thereof;

FIG. 5 is a right side elevational view thereof;

FIG. 6 is a top plan view thereof;

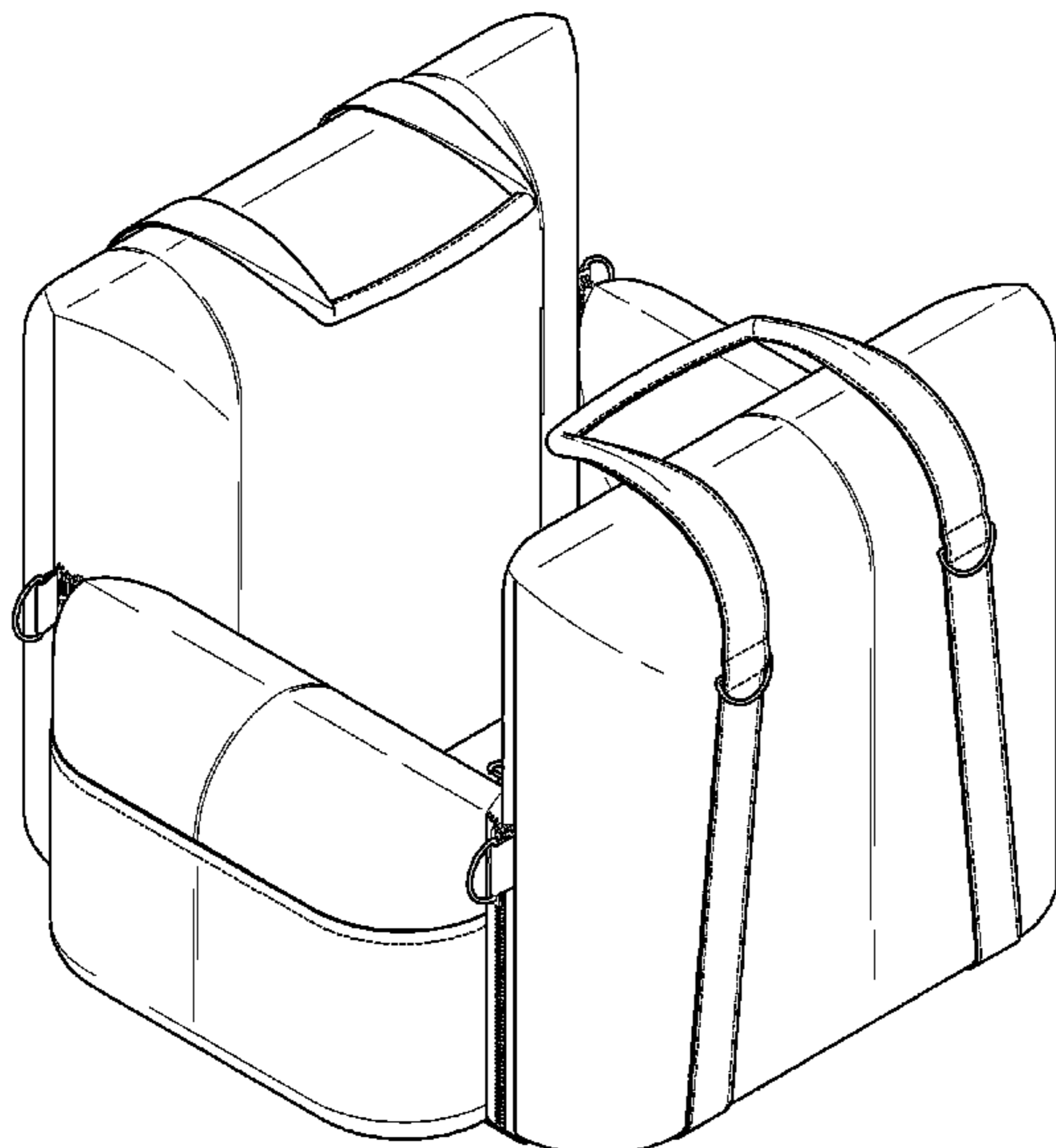
FIG. 7 is a bottom plan view thereof;

FIG. 8 is a top plan view thereof showing the car seat for pets in an open configuration; and,

FIG. 9 is a reference view showing a configuration of use with a cushion.

The broken lines shown in FIGS. 1-9 on the surface of the car seat for pets are illustrative of stitching and do form a part of the claimed design. All other broken lines, including the dot-dash lines shown in FIG. 9, illustrate environmental structure and form no part of the claimed design.

**1 Claim, 9 Drawing Sheets**



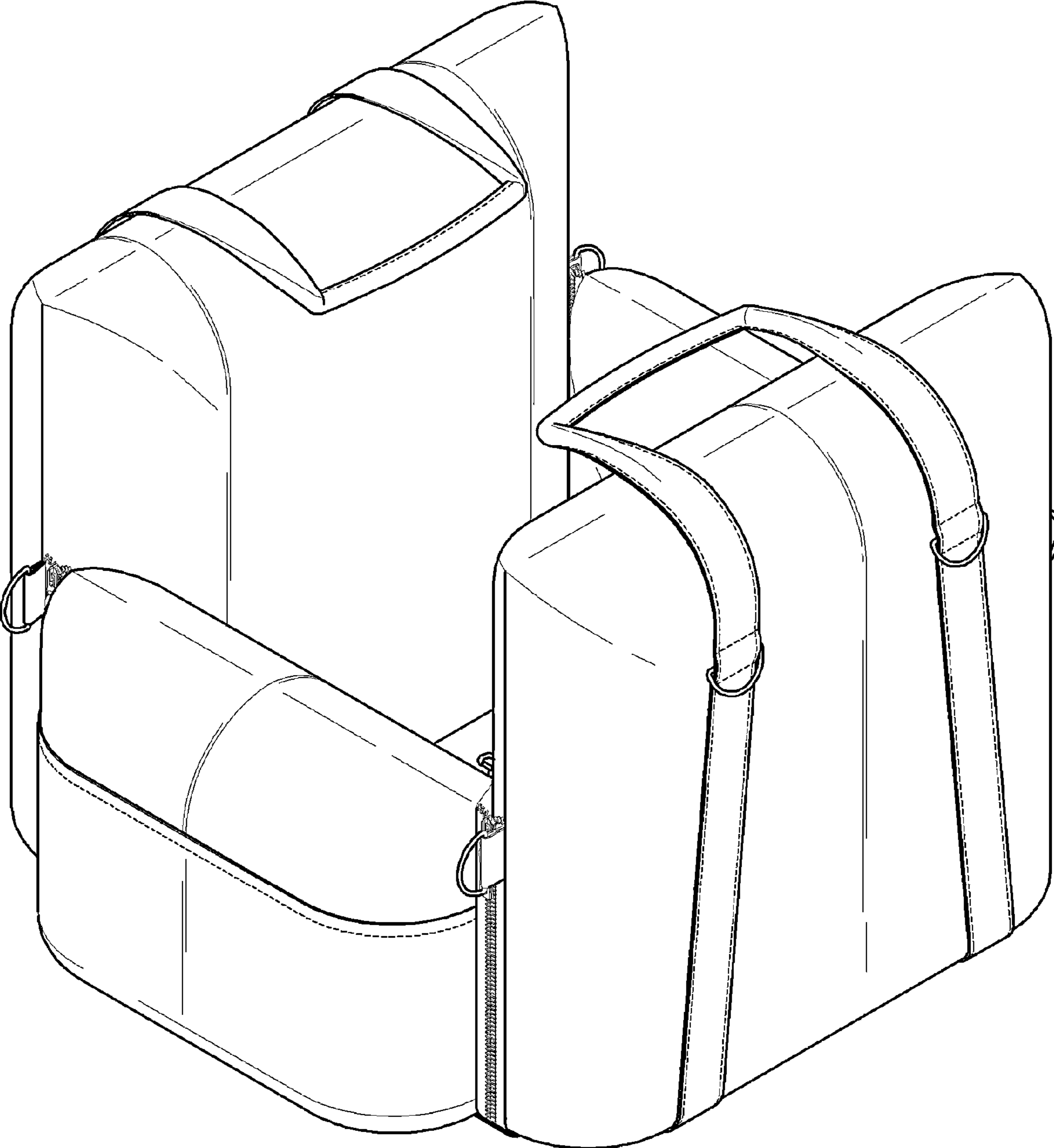


FIG. 1

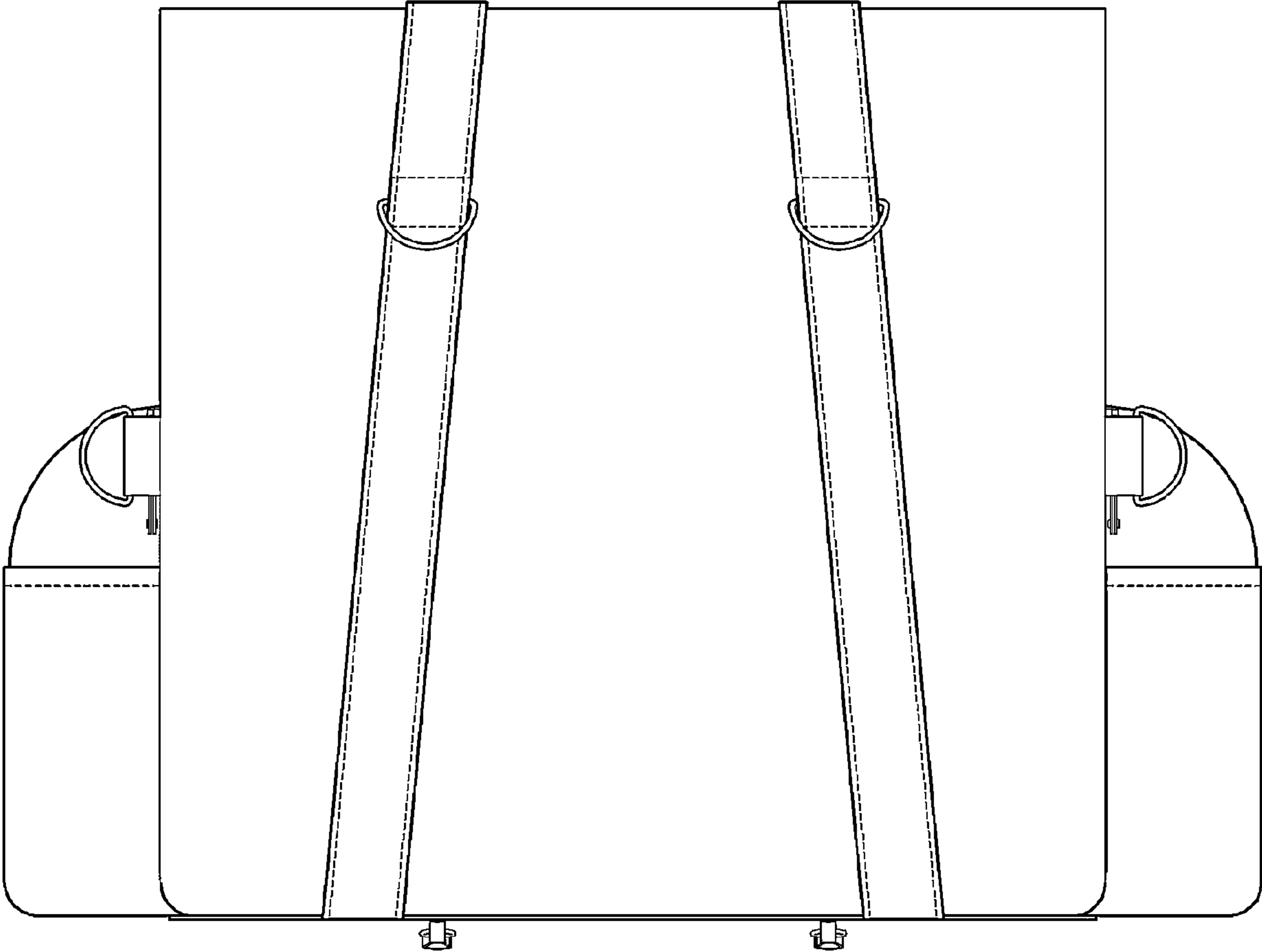


FIG. 2

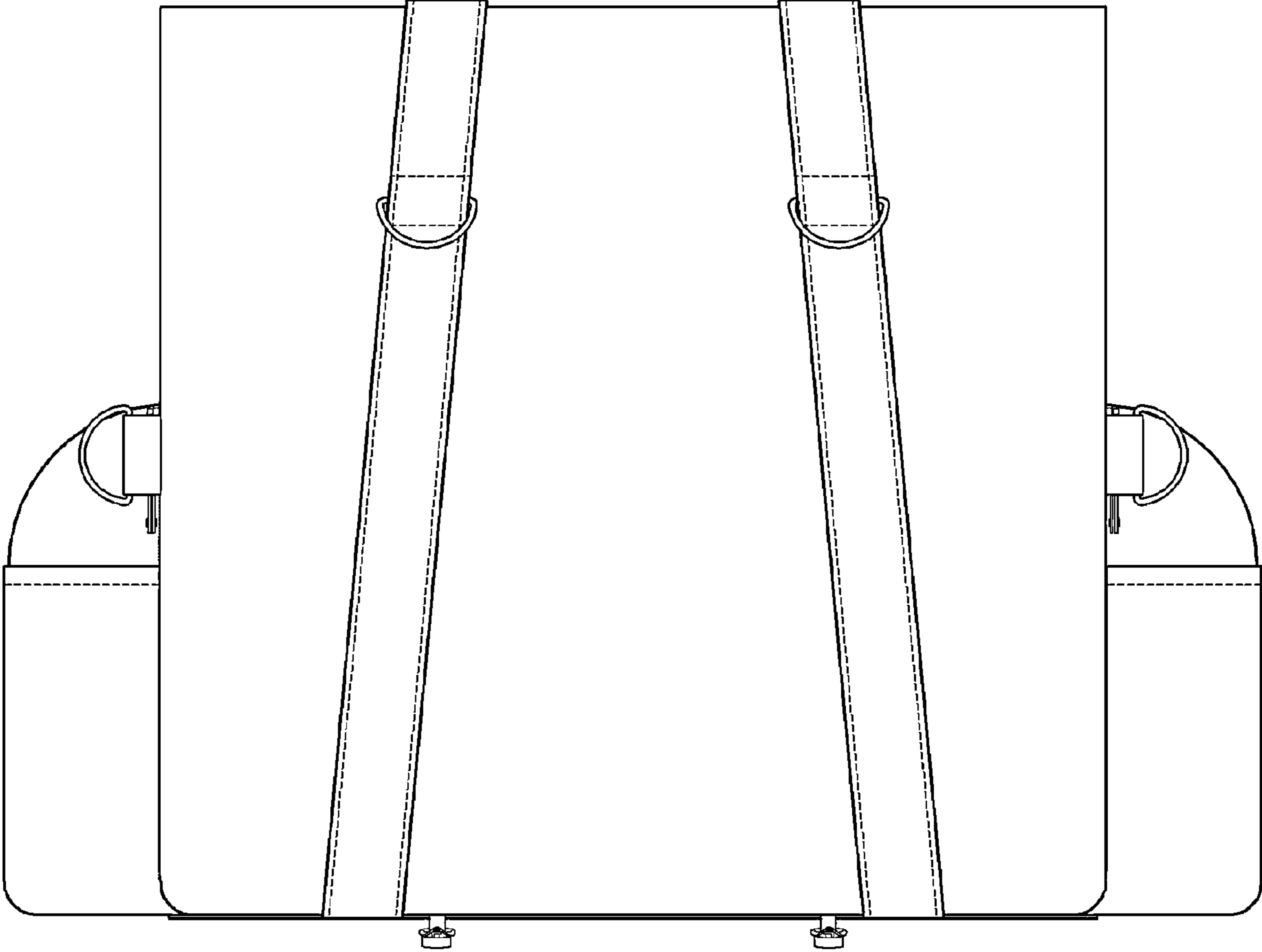


FIG. 3

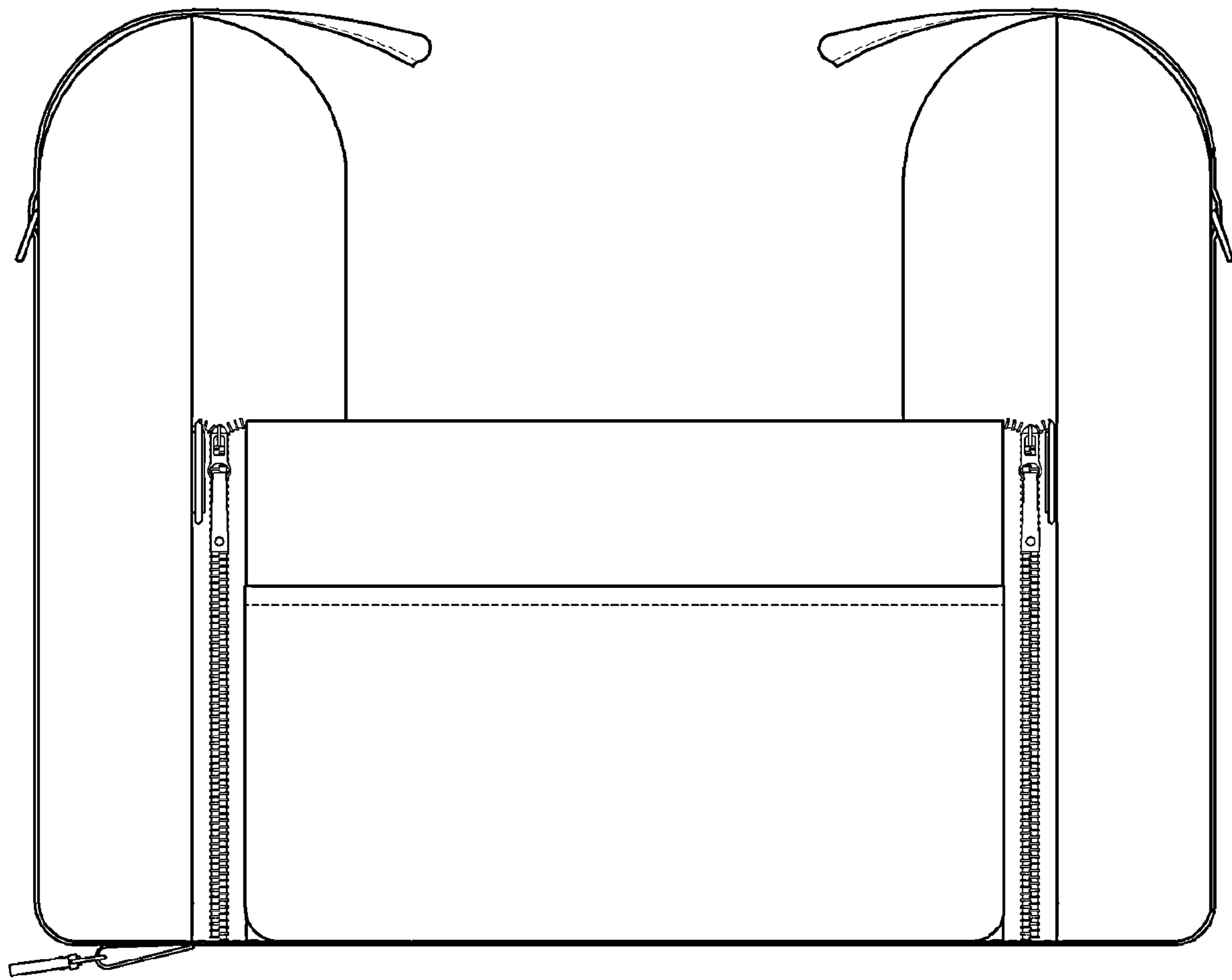


FIG. 4

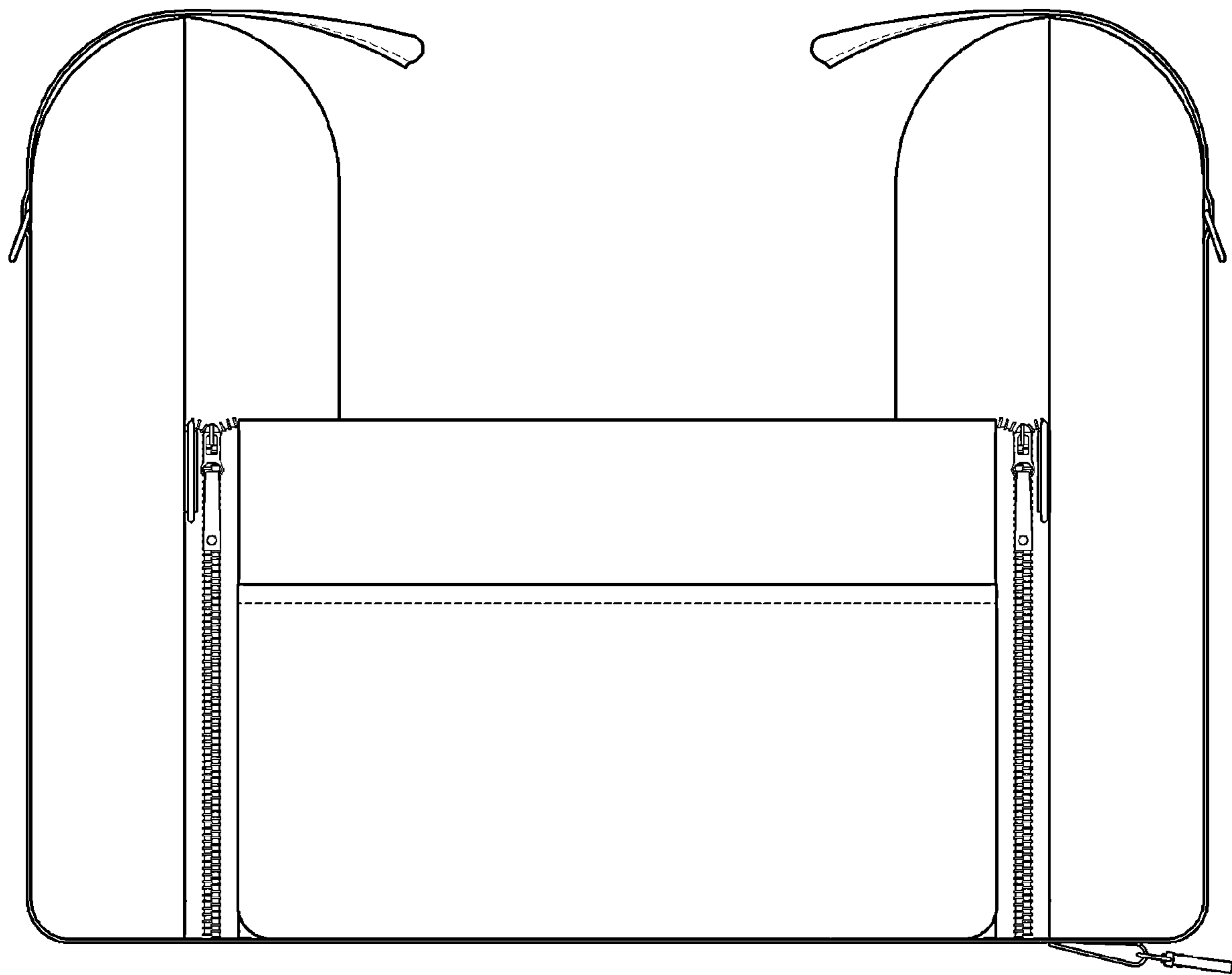


FIG. 5

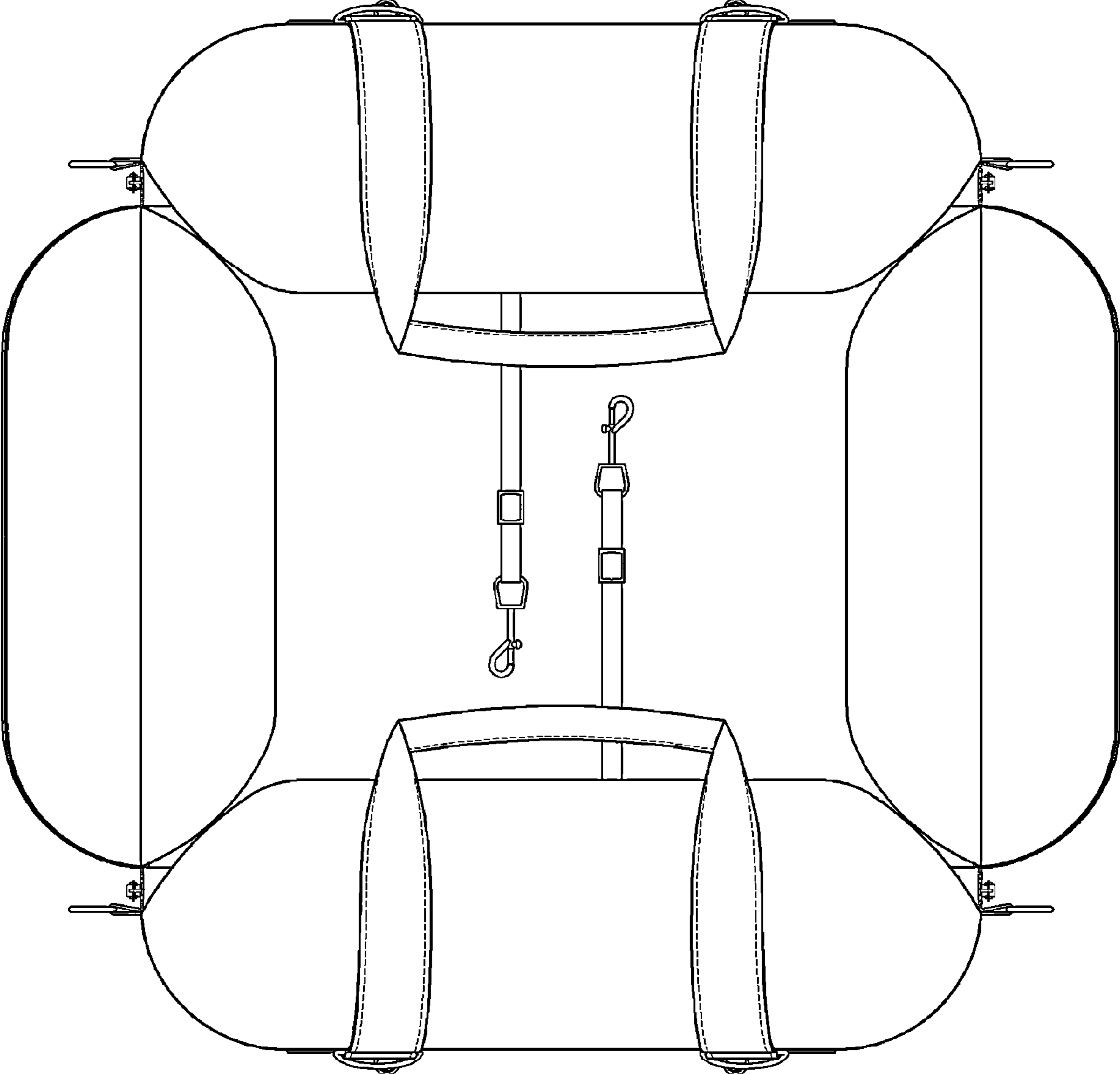


FIG. 6

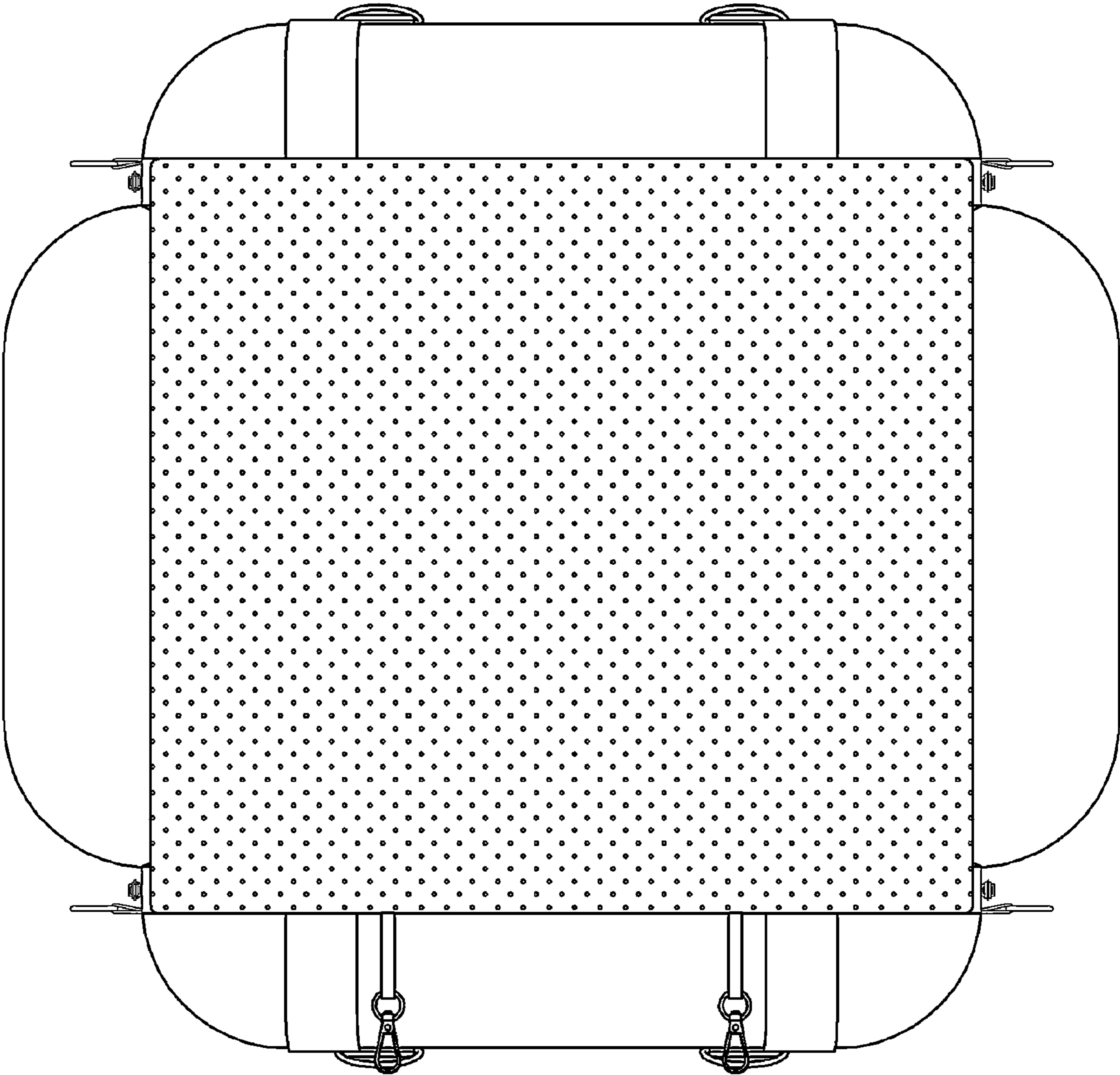


FIG. 7



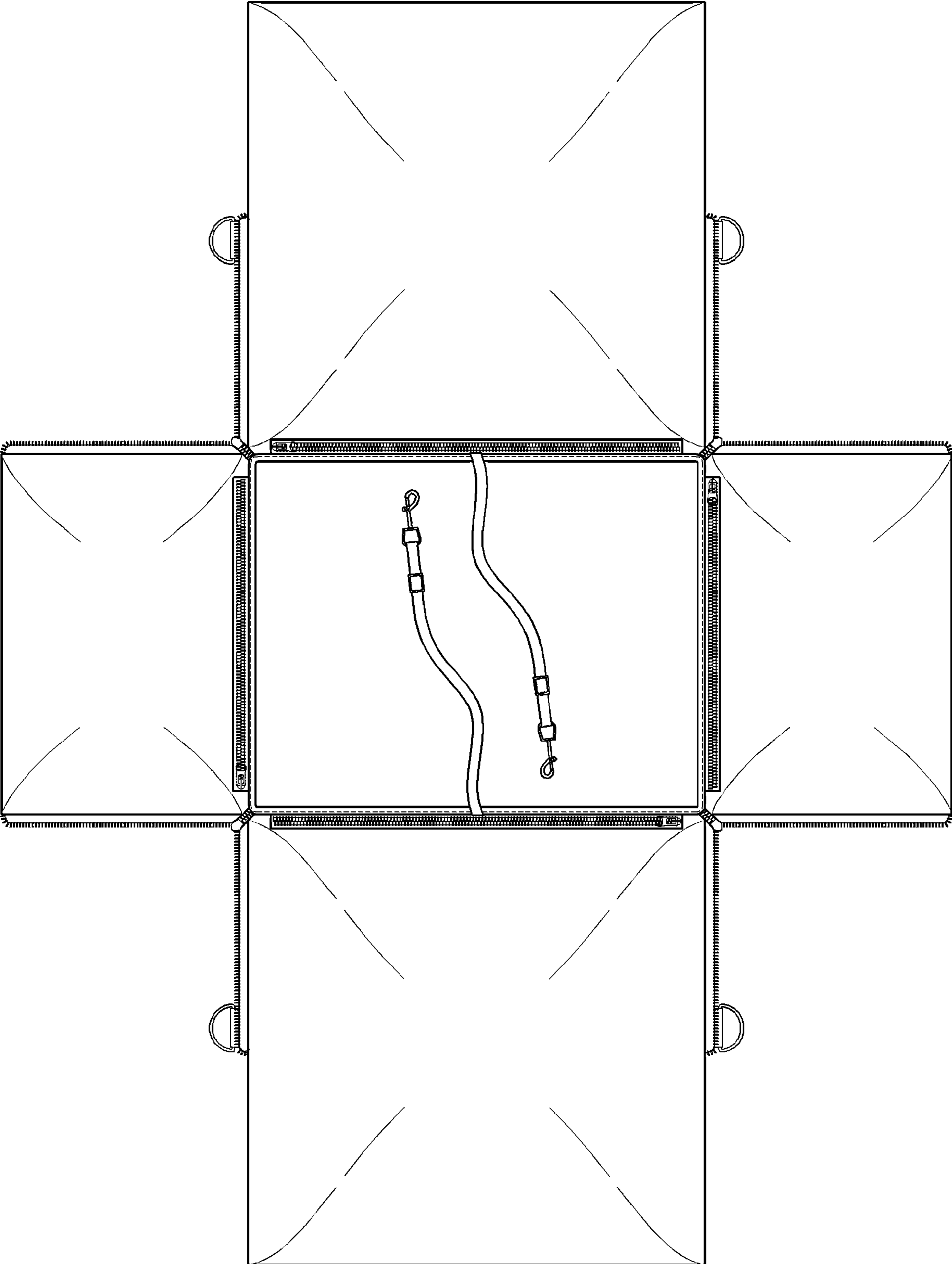


FIG. 8

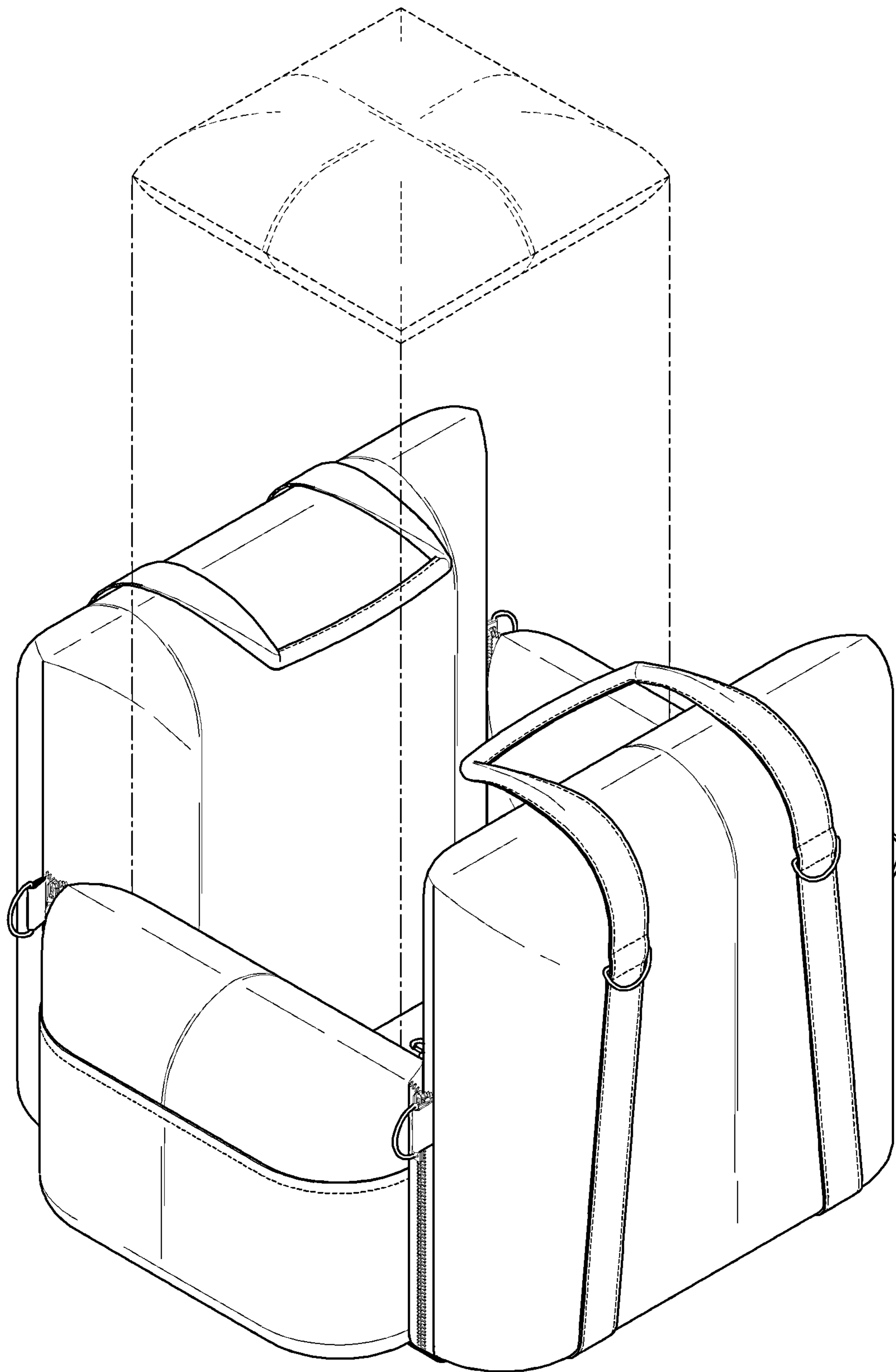


FIG. 9