



US00D977723S

(12) **United States Design Patent**  
**Ernst et al.**

(10) **Patent No.:** **US D977,723 S**  
(45) **Date of Patent:** **\*\* Feb. 7, 2023**

(54) **SAFETY VEST WITH BACK LIGHT**

(71) Applicant: **Coast Cutlery Co.**, Portland, OR (US)

(72) Inventors: **Todd Ernst**, Portland, OR (US); **Brian Sheehy**, Los Angeles, CA (US)

(73) Assignee: **Coast Cutlery Co.**, Portland, OR (US)

(\*\*) Term: **15 Years**

(21) Appl. No.: **29/773,446**

(22) Filed: **Mar. 9, 2021**

(51) **LOC (14) Cl.** ..... **02-02**

(52) **U.S. Cl.**  
USPC ..... **D29/101.4**

(58) **Field of Classification Search**

USPC ..... D29/100, 101.1, 101.4; D2/829, 830  
CPC ..... A41D 1/04; A41D 13/01; A41D 2600/20;  
A41D 31/32; F21V 33/0008; F21Y  
2115/10

See application file for complete search history.

(56) **References Cited**

**U.S. PATENT DOCUMENTS**

D440,716 S \* 4/2001 Lesley ..... A41D 13/01  
D29/101.4  
D590,545 S \* 4/2009 Lesley ..... D29/101.4  
7,758,200 B2 \* 7/2010 Tuan ..... A45C 15/06  
362/570  
D670,033 S \* 10/2012 Kusnier ..... D29/101.4  
D689,262 S \* 9/2013 Passman ..... D2/829  
D694,957 S \* 12/2013 Barker ..... D29/101.4  
D792,027 S \* 7/2017 Gill ..... D29/101.4  
D804,100 S \* 11/2017 Gill ..... D29/101.4

(Continued)

**FOREIGN PATENT DOCUMENTS**

CN 307296635 \* 4/2022  
CN 307318333 \* 5/2022  
GB 6160263 \* 9/2021

**OTHER PUBLICATIONS**

Coast SV300 High-Vis Lighted Safety Vest (on-line), dated Oct. 31, 2020. Retrieved from Internet Jun. 28, 2022, URL: <http://web.archive.org/web/20201031004159/https://coastportland.com/products/sv300> (1 page) (Year: 2020).\*

(Continued)

*Primary Examiner* — Kimberly Barnes

(74) *Attorney, Agent, or Firm* — Schwabe Williamson & Wyatt, P.C.

(57) **CLAIM**

We claim the ornamental design for a safety vest with back light, as shown and described.

**DESCRIPTION**

FIG. 1 is a perspective view of the rear of a safety vest with back light, showing our new design;

FIG. 2 is a perspective view of the rear of the safety vest with back light from an upper angle;

FIG. 3 is a front view of the safety vest with back light;

FIG. 4 is a rear view of the safety vest with back light;

FIG. 5 is a side elevation view of the safety vest with back light from the left side;

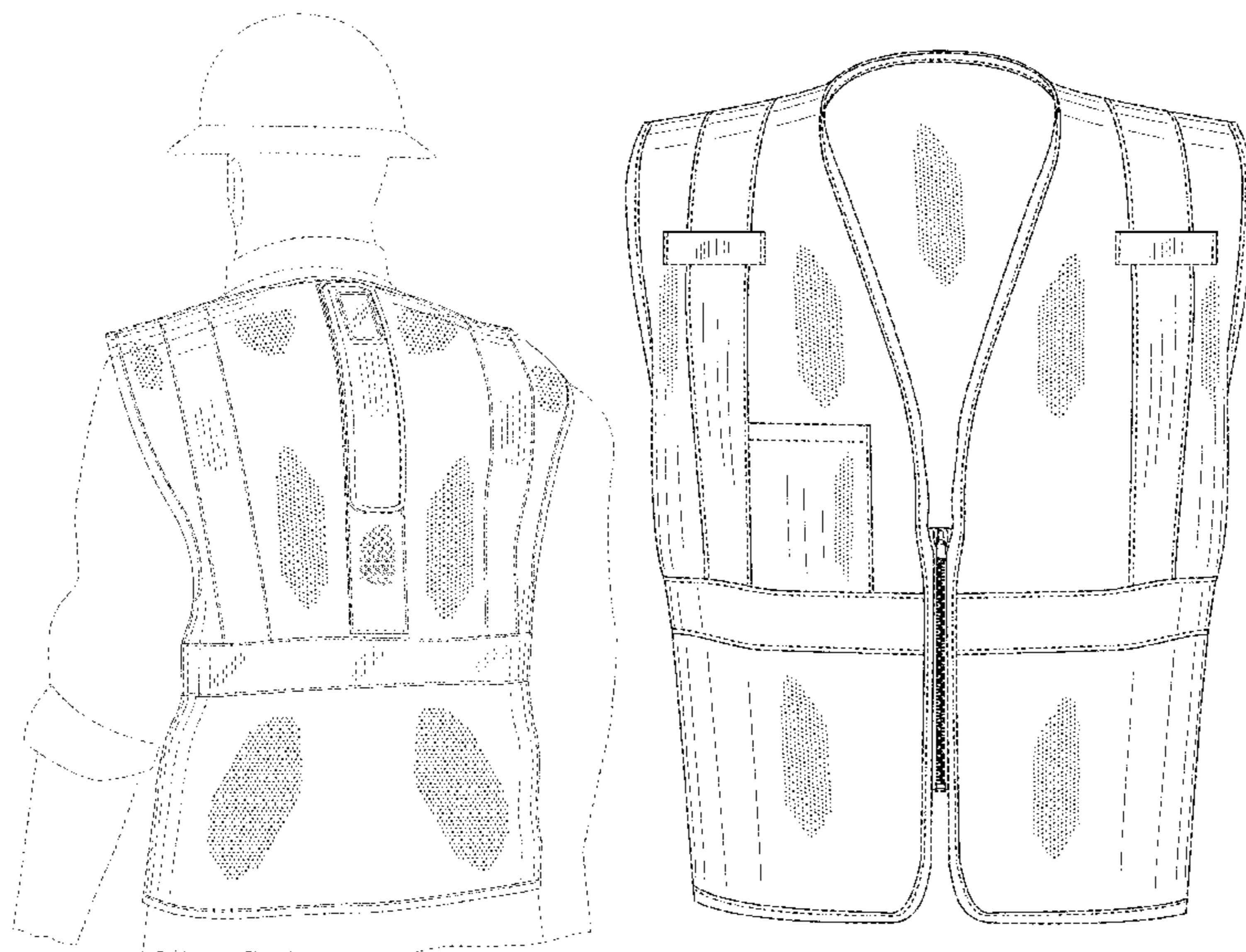
FIG. 6 is a side elevation view of the safety vest with back light from the right side; and,

FIG. 7 is a perspective view of the front of the safety vest with back light from a lower angle.

The dotted grid pattern represents a mesh material. The two styles of stippling, on the rear center vertical stripe of the vest and the underside of the back light in FIGS. 5 and 6, represent contrasting appearance.

The broken lines in FIG. 1 depicting a wearer represent environmental subject matter that forms no part of the claimed design. The remaining broken lines in the figures depicting lines of stitching represent portions of the safety vest with back light that form no part of the claimed design.

**1 Claim, 7 Drawing Sheets**



(56)

**References Cited**

U.S. PATENT DOCUMENTS

10,123,396 B2 \* 11/2018 Jeremy ..... G09F 21/02  
D877,419 S \* 3/2020 Shi ..... D29/101.4  
D892,437 S \* 8/2020 Swank ..... D2/829  
D896,444 S \* 9/2020 Shi ..... D29/101.4  
D906,595 S \* 12/2020 Gill ..... D29/101.4  
D933,903 S \* 10/2021 Lee ..... D29/101.4  
D942,697 S \* 2/2022 Xu ..... D29/101.4  
D948,130 S \* 4/2022 Shen ..... D29/101.4  
D950,157 S \* 4/2022 Shen ..... D29/101.4  
D950,158 S \* 4/2022 Shen ..... D2/829  
11,297,886 B1 \* 4/2022 Ernst ..... F21V 33/0008  
D953,645 S \* 5/2022 Roberts ..... D29/101.4

OTHER PUBLICATIONS

Coast SV400 Rechargeable Lighted High Visibility Safety Vest  
(on-line), date first available Dec. 17, 2020. Retrieved from Internet  
Jun. 28, 2022, URL: [https://www.amazon.com/dp/B08QXXB43Q?](https://www.amazon.com/dp/B08QXXB43Q?ref=vse_pfo_vdp)  
ref=vse\_pfo\_vdp (5 pages) (Year: 2020).\*

\* cited by examiner

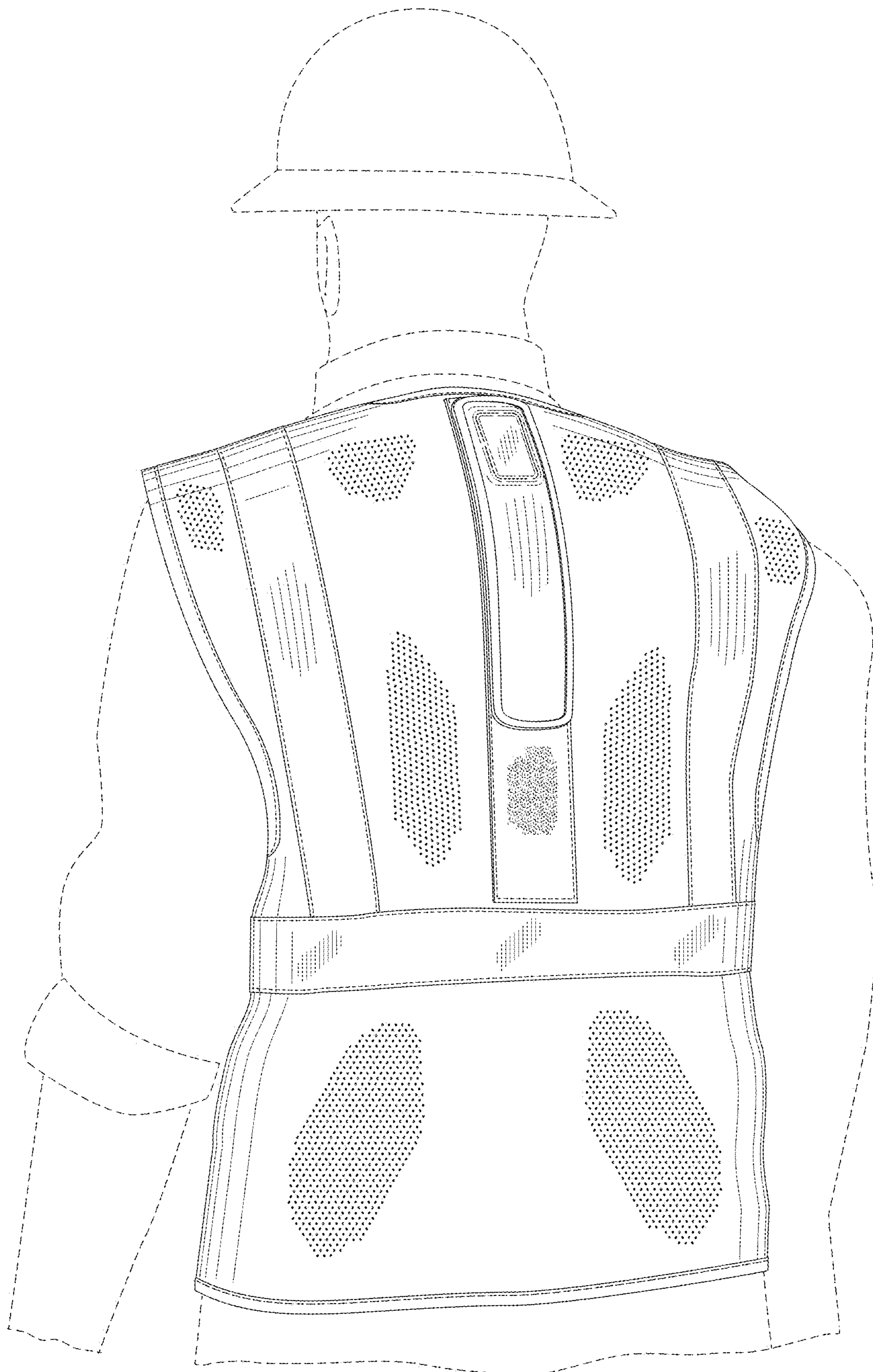


FIG.1

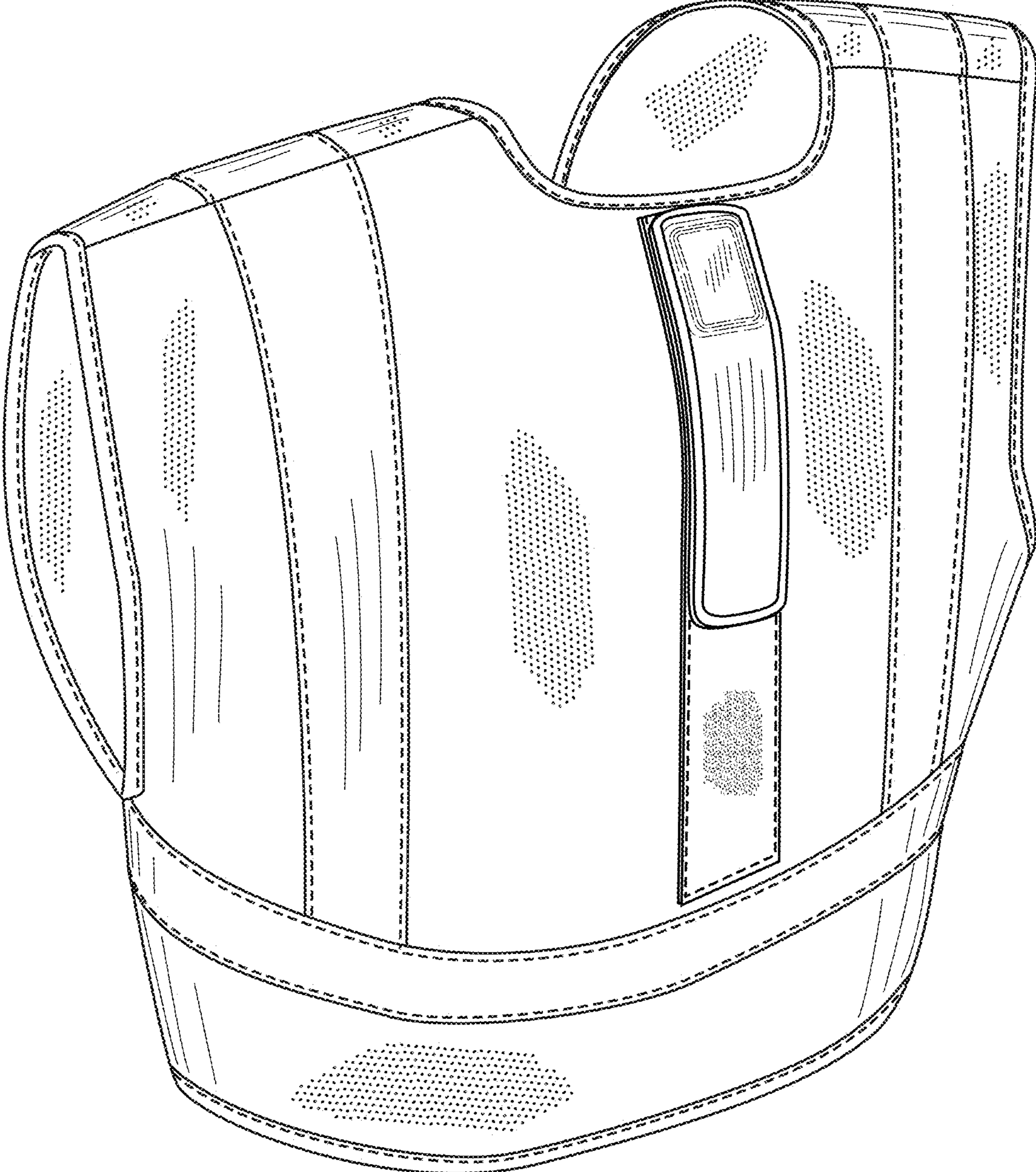


FIG. 2

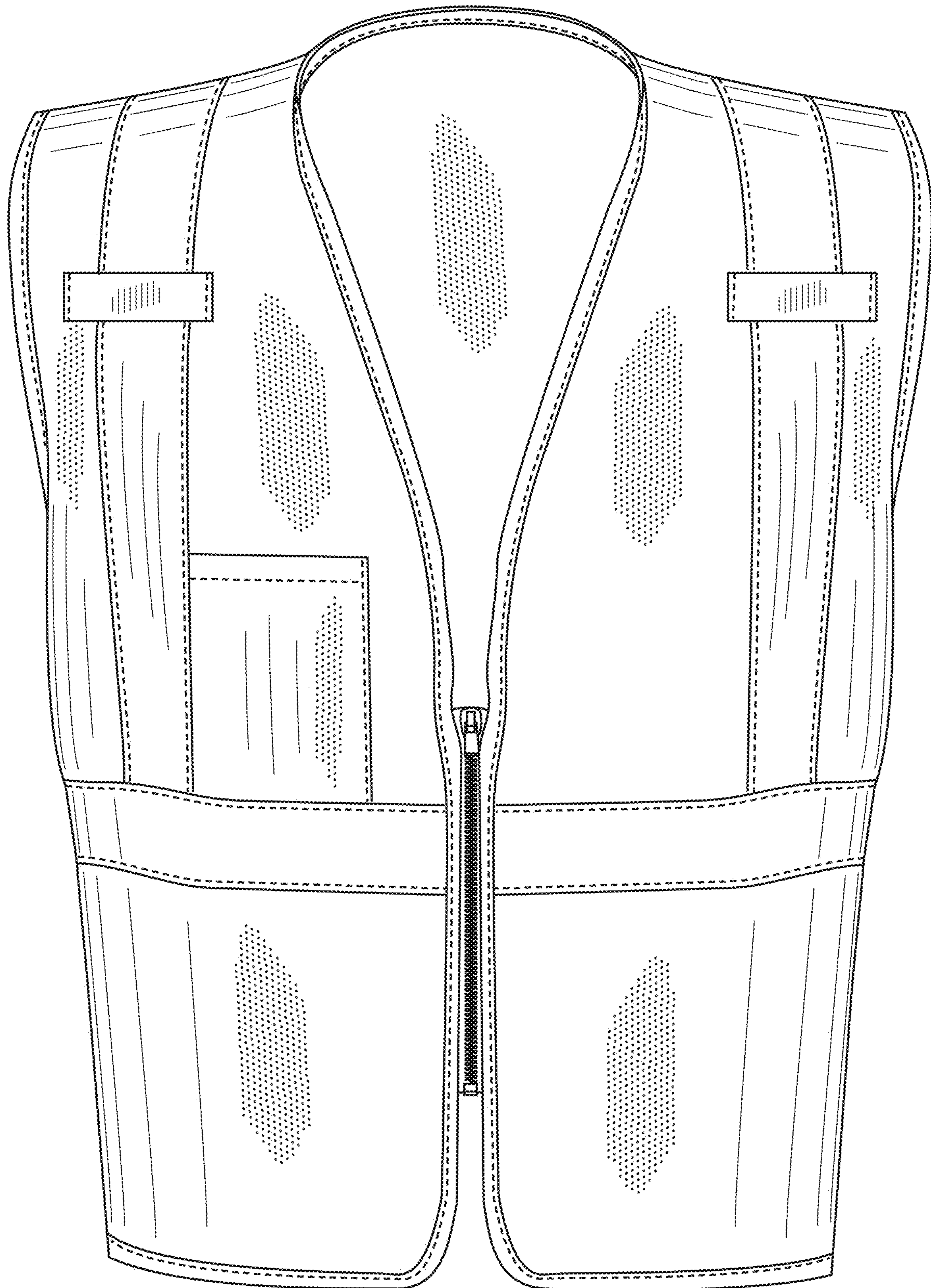


FIG. 3

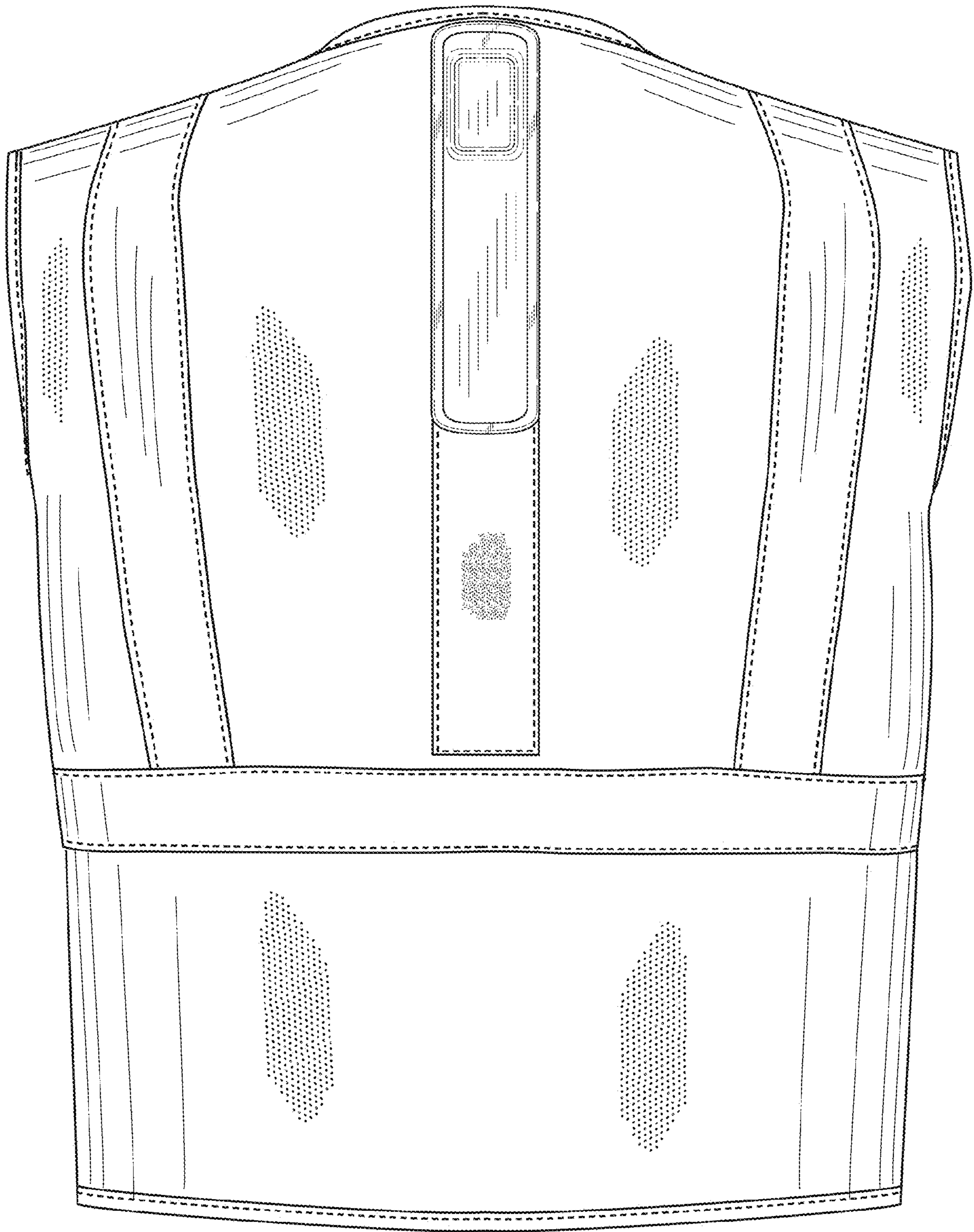


FIG. 4

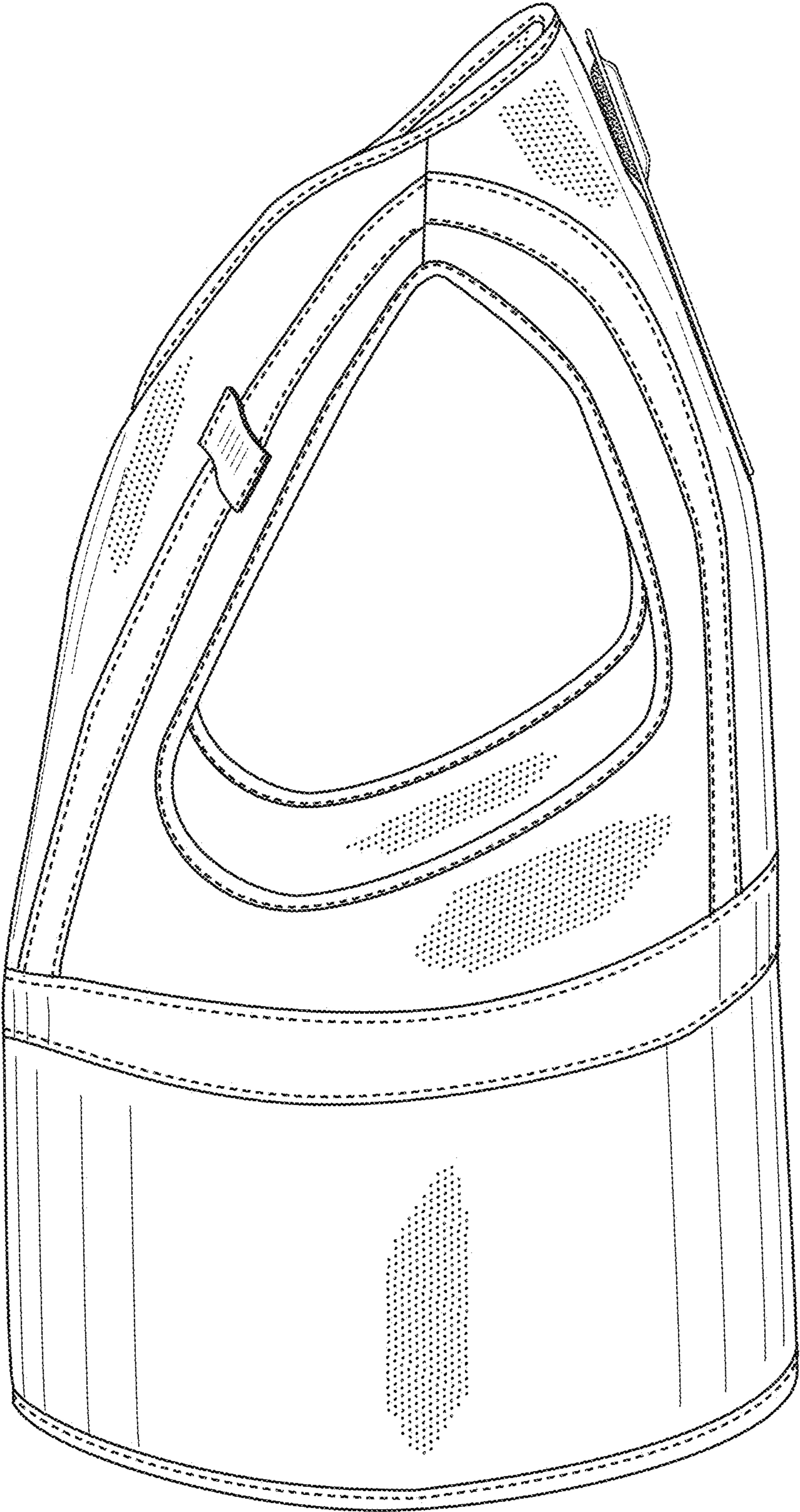


FIG. 5

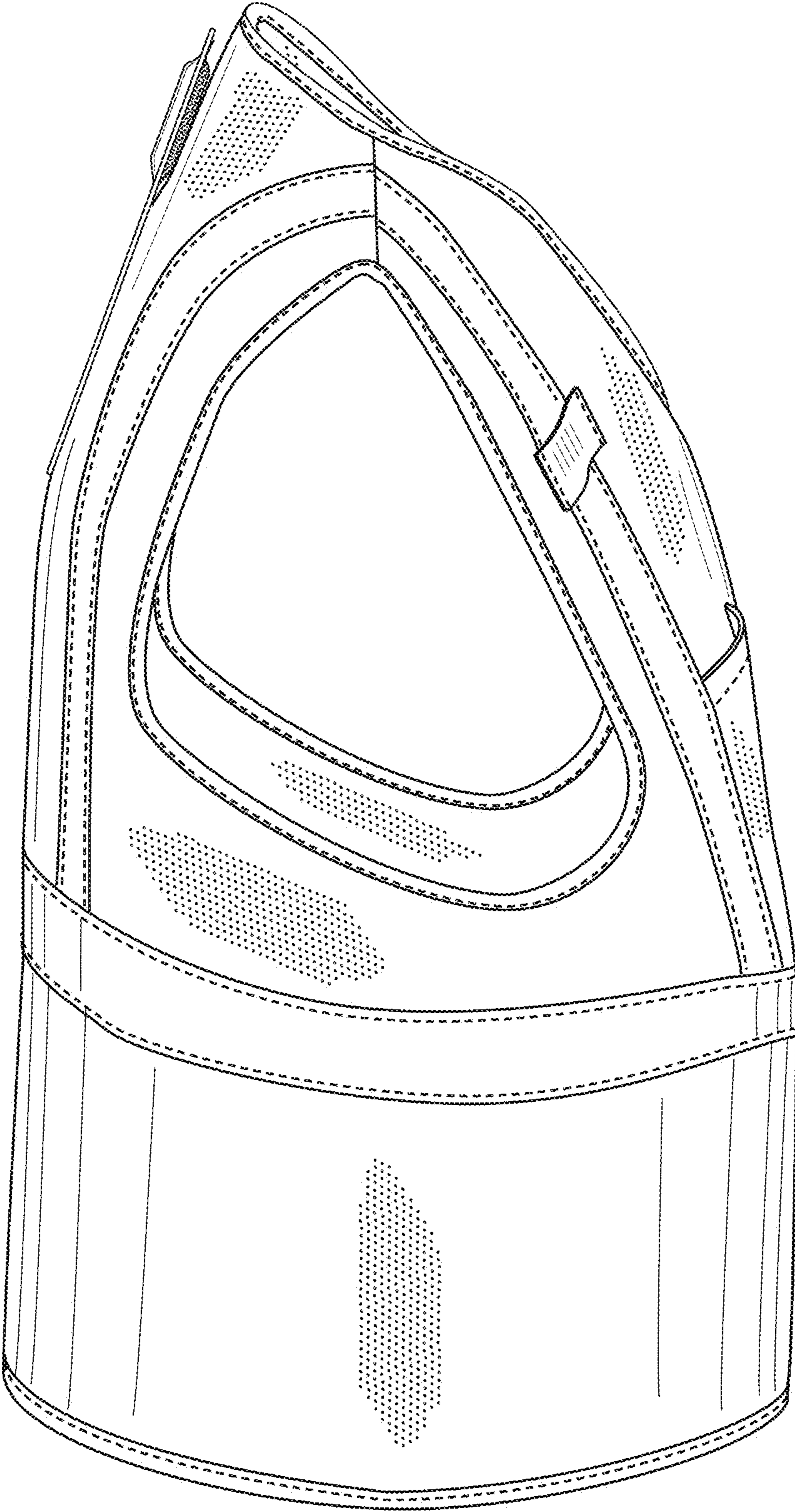


FIG. 6



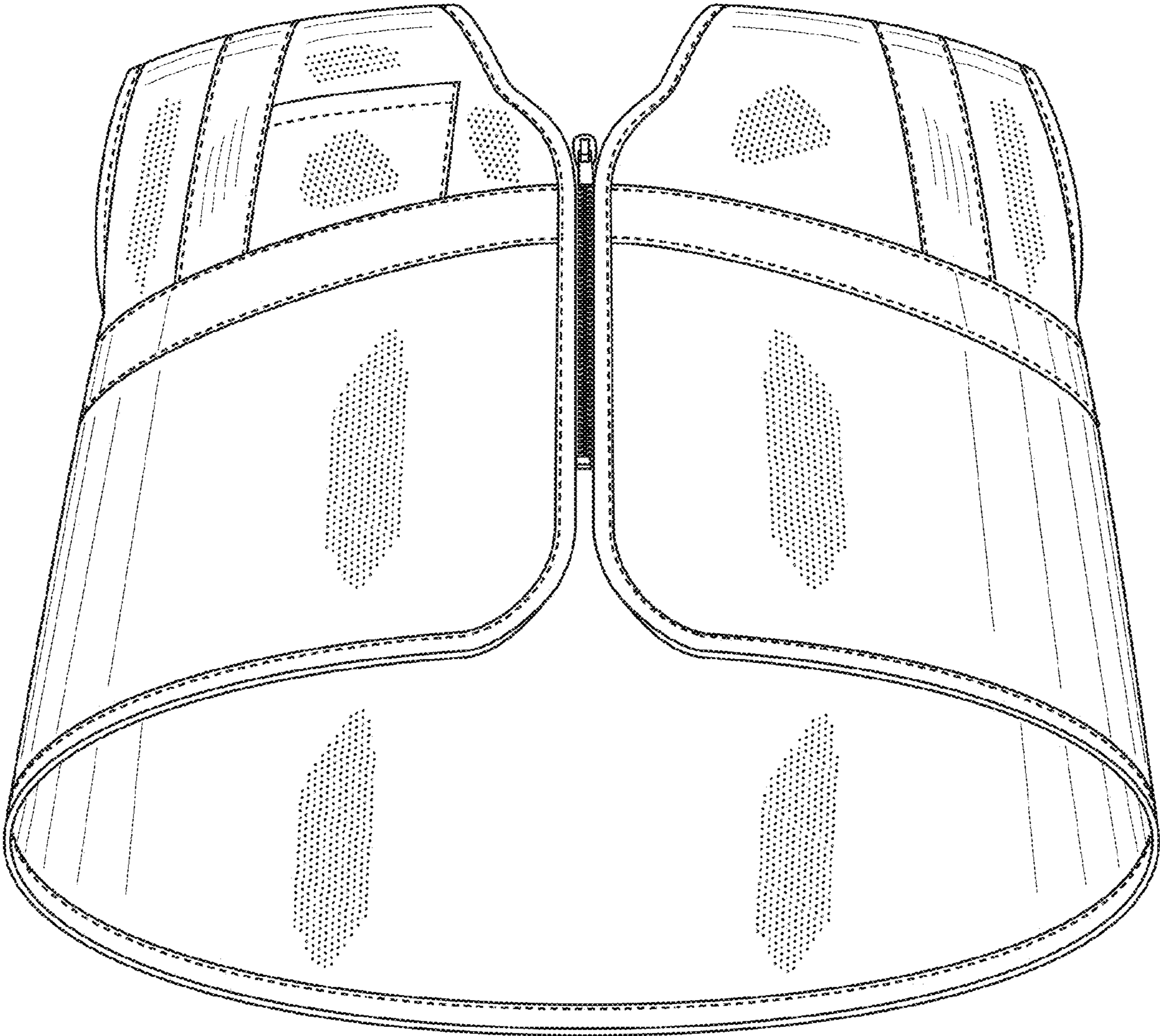


FIG. 7