



US00D977722S

(12) **United States Design Patent** (10) **Patent No.:** **US D977,722 S**
Jin (45) **Date of Patent:** **** Feb. 7, 2023**

(54) **SAFETY BELT** D454,986 S * 3/2002 Casebolt D29/101.1
6,367,583 B1 * 4/2002 Derby A62B 35/0018
(71) Applicant: **ZHEJIANG SHENGBANG SAFETY PROTECTION CO., LTD**, Yueqing (CN) 6,374,946 B1 * 4/2002 Petzl A62B 35/0018
182/7
182/7
(Continued)

(72) Inventor: **Xuxian Jin**, Yueqing (CN) FOREIGN PATENT DOCUMENTS
(73) Assignee: **ZHEJIANG SHENGBANG SAFETY PROTECTION CO., LTD**, Yueqing (CN) CN 306725028 * 7/2021
JP D1655596 * 3/2020
WO D201233-001 * 8/2019

(**) Term: **15 Years** OTHER PUBLICATIONS
(21) Appl. No.: **29/749,580** 3M 1113346 DBI-SALA ExoFit NEX Full Body Harness, available in Amazon.com, date first available Dec. 10, 2012 [online], [site visited Apr. 8, 2022], Available from the internet URL: https://www.amazon.com/dp/B00AM21CC6/ref=cm_sw_em_r_mt_dp_SXGV5RF16HN0XMS3SA9Y (Year: 2012).
(22) Filed: **Sep. 8, 2020**
(30) **Foreign Application Priority Data** (Continued)

May 21, 2020 (CN) 202030239047.X
(51) **LOC (14) Cl.** **29-02**
(52) **U.S. Cl.**
USPC **D29/101.1**

(58) **Field of Classification Search**
USPC D21/694; D29/122, 124, 101.1, 101.3, D29/101.4
CPC A45F 2003/144; A62B 35/0018; A63B 27/00; B64D 17/30
See application file for complete search history.

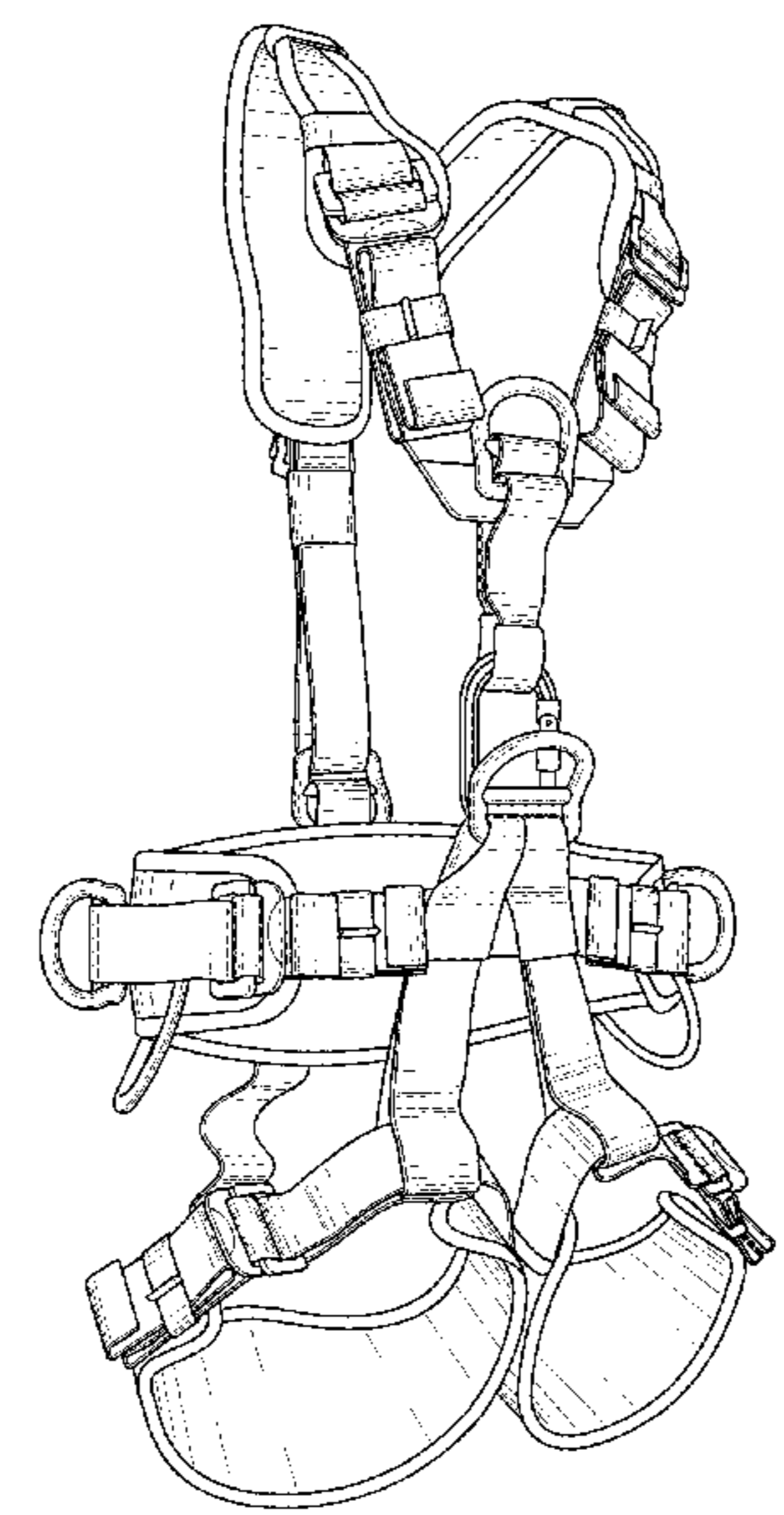
(56) **References Cited**
U.S. PATENT DOCUMENTS
3,424,134 A * 1/1969 Rosenblum A62B 35/0037
244/151 R
D348,153 S * 6/1994 Eldridge D29/101.1
6,050,364 A * 4/2000 Popall A62B 35/0031
182/6
6,283,248 B1 * 9/2001 Groover A62B 35/0025
182/7

Primary Examiner — Vy N Koenig
Assistant Examiner — Elizabeth Anne Glassberg
(74) Attorney, Agent, or Firm — Bayramoglu Law Offices LLC

(57) **CLAIM**
The ornamental design for a safety belt, as shown and described.

DESCRIPTION
FIG. 1 is a front perspective view of a safety belt showing new design;
FIG. 2 is a front view thereof;
FIG. 3 is a rear view thereof;
FIG. 4 is a right side view thereof;
FIG. 5 is a bottom view thereof;
FIG. 6 is a top view thereof; and,
FIG. 7 is a rear perspective view thereof.
A left side view is omitted since the left view is a mirror image of the right side view.

1 Claim, 7 Drawing Sheets



(56)

References Cited

U.S. PATENT DOCUMENTS

6,390,348 B1 * 5/2002 Godshaw B25H 3/00
 224/660
 D556,383 S * 11/2007 Petzl D29/101.1
 D558,402 S * 12/2007 Petzl D29/101.1
 D559,467 S * 1/2008 Petzl D29/101.1
 D641,524 S * 7/2011 Graham D29/101.4
 D843,662 S * 3/2019 Green-Mullins D29/101.1
 D891,546 S * 7/2020 Li D21/694
 10,850,142 B2 * 12/2020 Emonin A47D 13/086
 D963,081 S * 9/2022 Li D21/694
 11,433,263 B1 * 9/2022 Bishop F16B 45/02
 2006/0054387 A1 * 3/2006 Fortin A62B 35/0018
 182/3
 2007/0256890 A1 * 11/2007 Petzl A62B 35/0018
 182/3
 2016/0206903 A1 * 7/2016 Boothby A62B 35/0018
 2017/0291047 A1 * 10/2017 Bouquier A62B 35/0037
 2021/0170207 A1 * 6/2021 Jain A62B 35/0037
 2021/0178202 A1 * 6/2021 Carroccia A62B 35/04
 2022/0040510 A1 * 2/2022 Andrade A62B 35/0018
 2022/0232931 A1 * 7/2022 Simpson B25H 3/00
 2022/0249887 A1 * 8/2022 Leonardson A62B 35/0018
 2022/0266075 A1 * 8/2022 Lepp G01V 3/101
 2022/0305307 A1 * 9/2022 McCurley A62B 35/0025

OTHER PUBLICATIONS

Fusion Climb Tac Rescue Tactical Full Body Zipline Harness,
 available in Amazon.com, date first available Jun. 20, 2017 [online],
 [site visited Apr. 8, 2022], Available from the internet URL:
https://www.amazon.com/dp/B072WL6XPJ/ref=cm_sw_em_r_mt_dp_4AX6VPY2F9Y1CTD69498 (Year: 2017).*

* cited by examiner

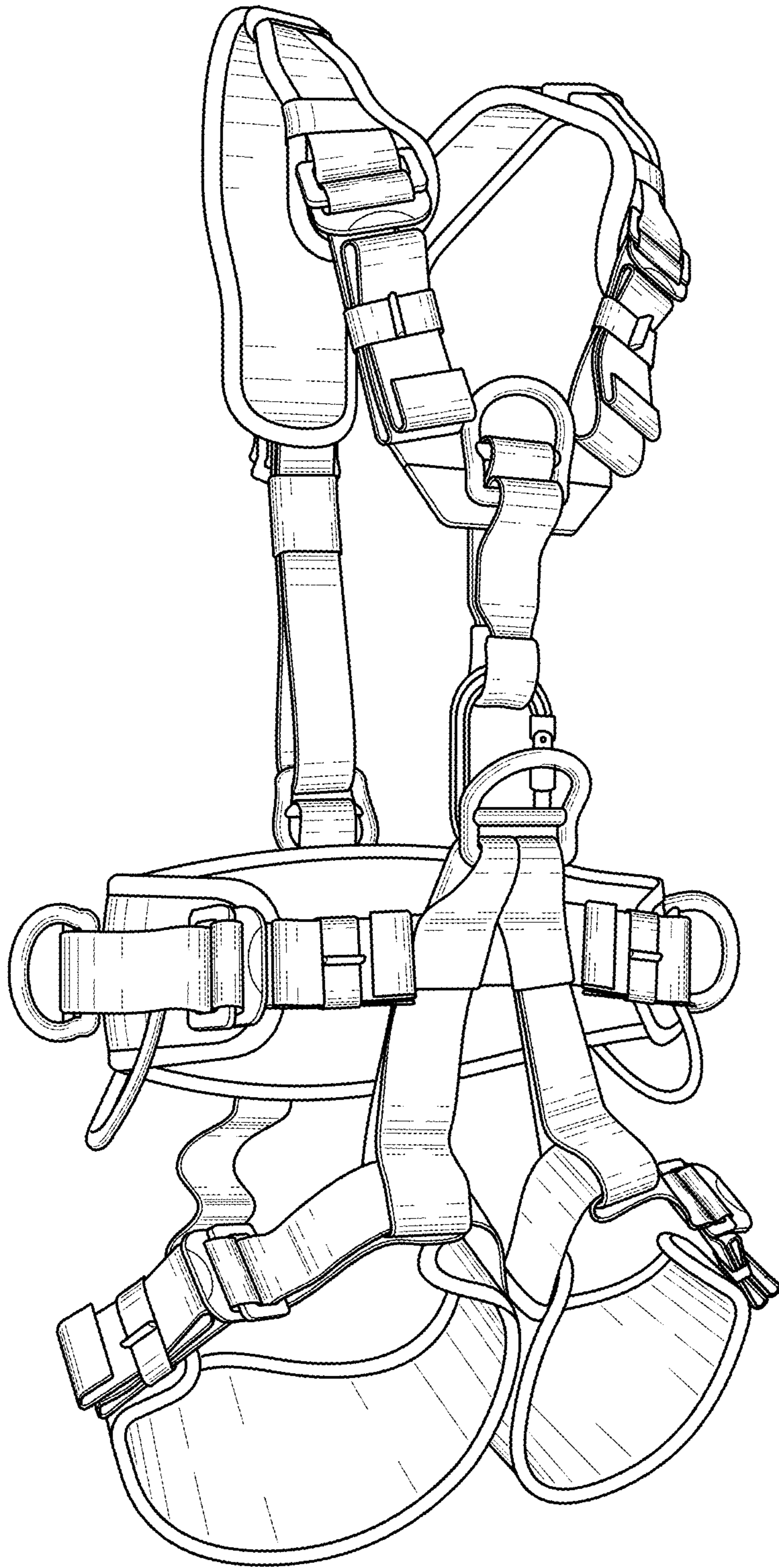


FIG. 1

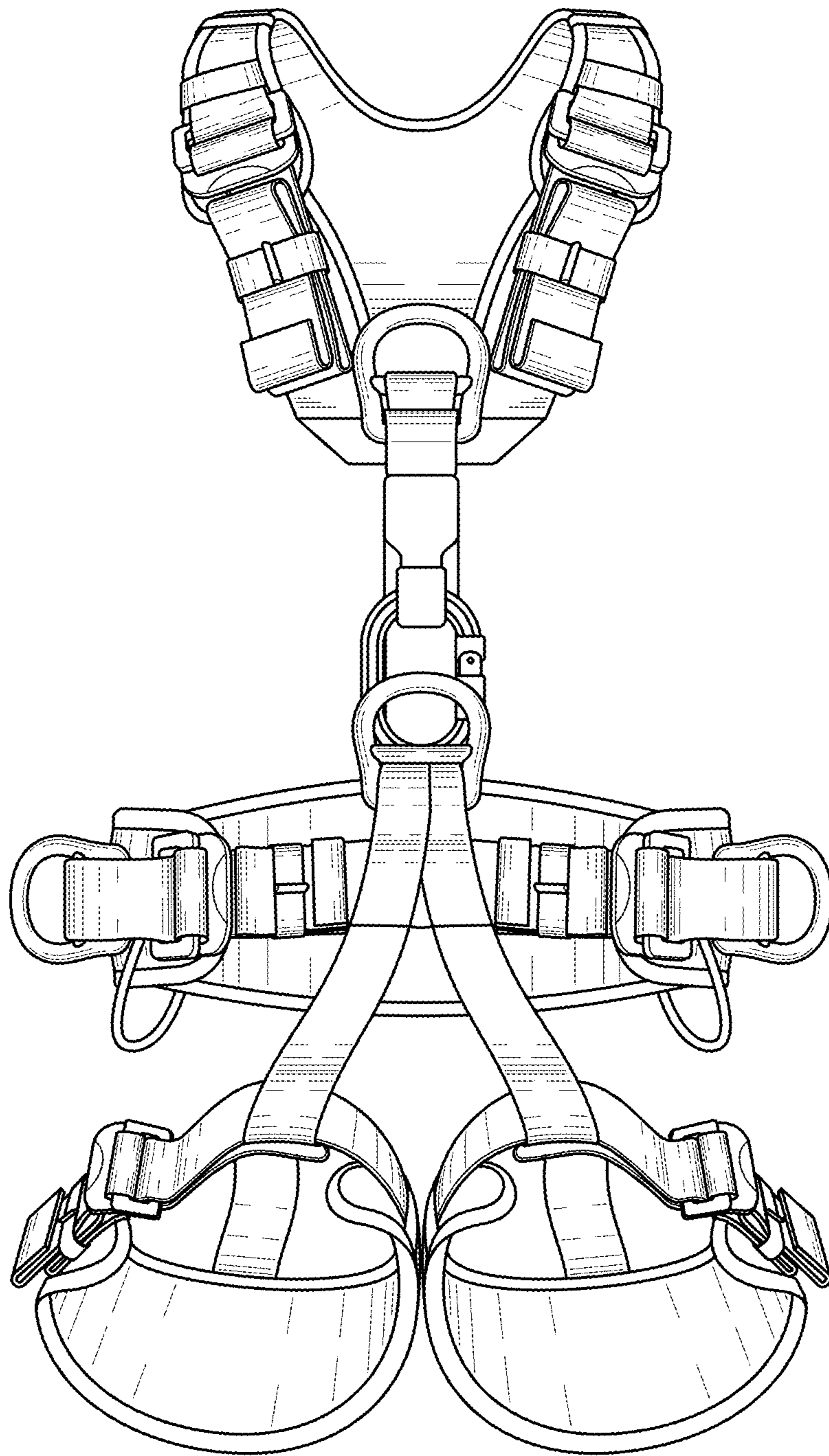


FIG. 2

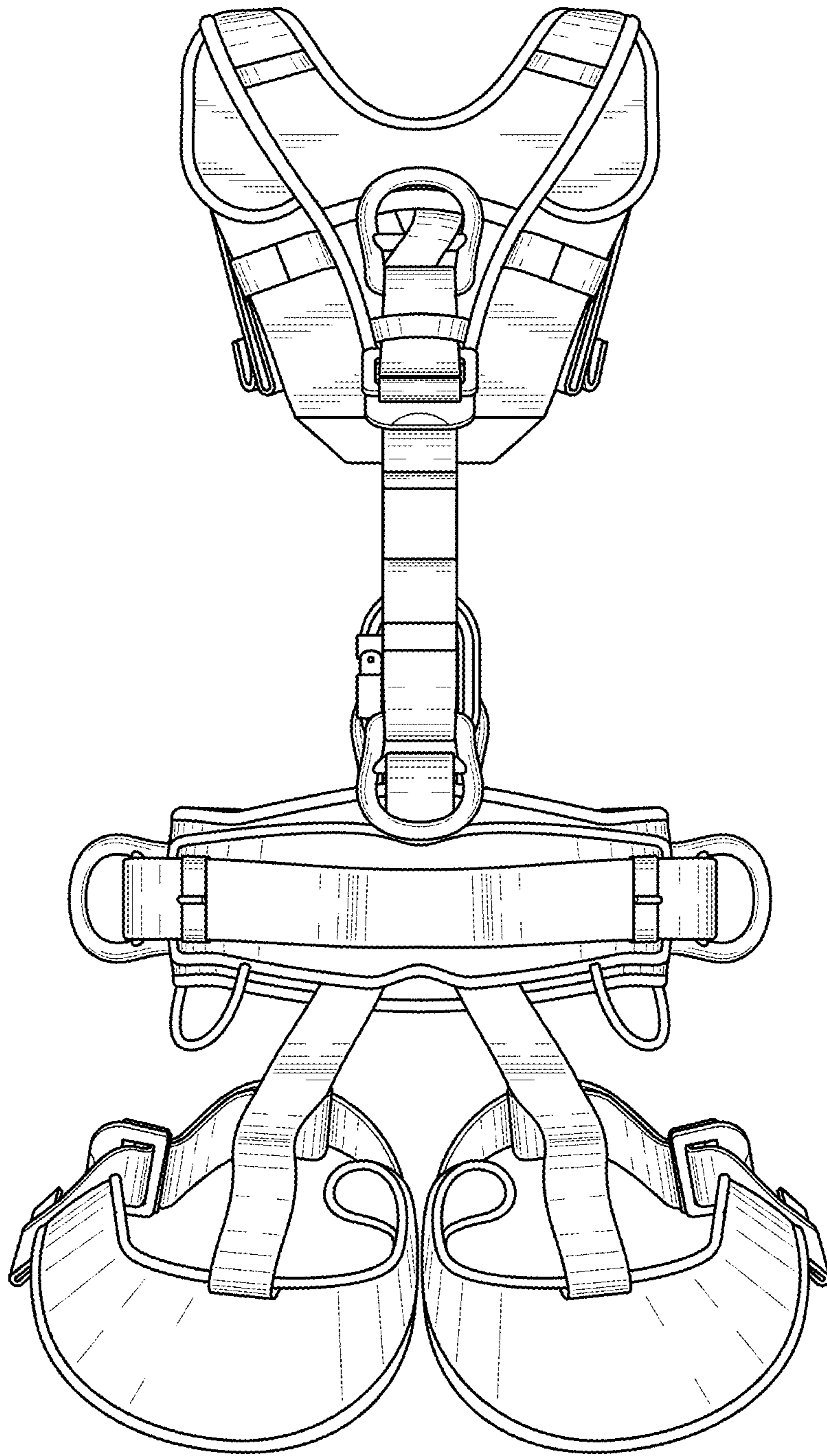


FIG. 3

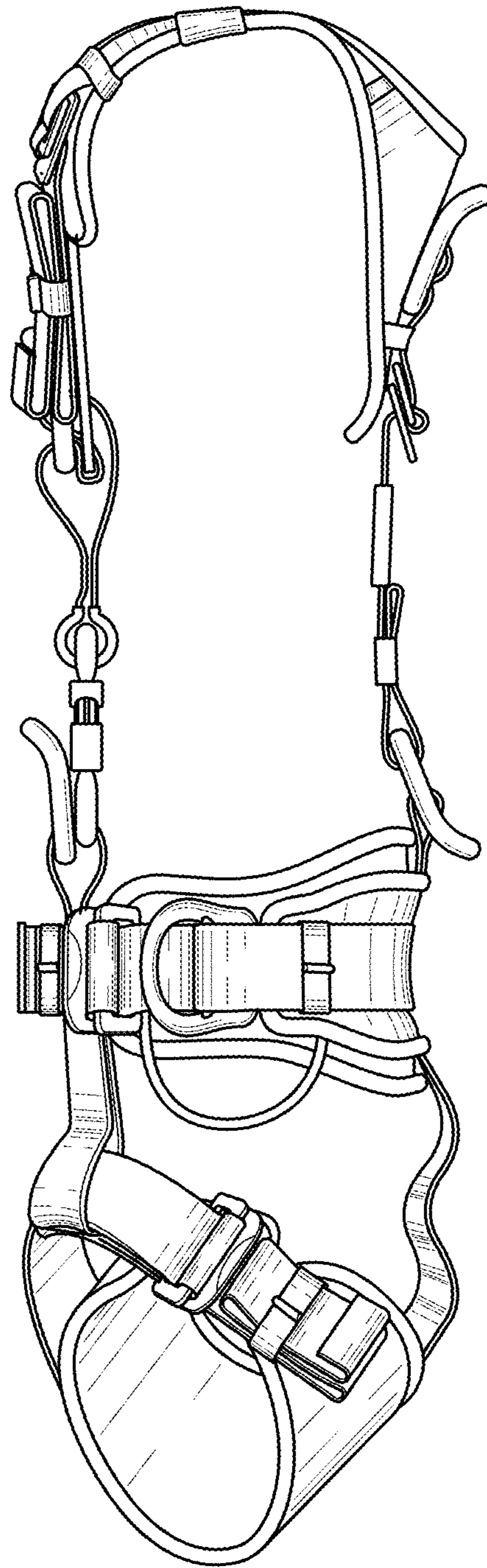


FIG. 4

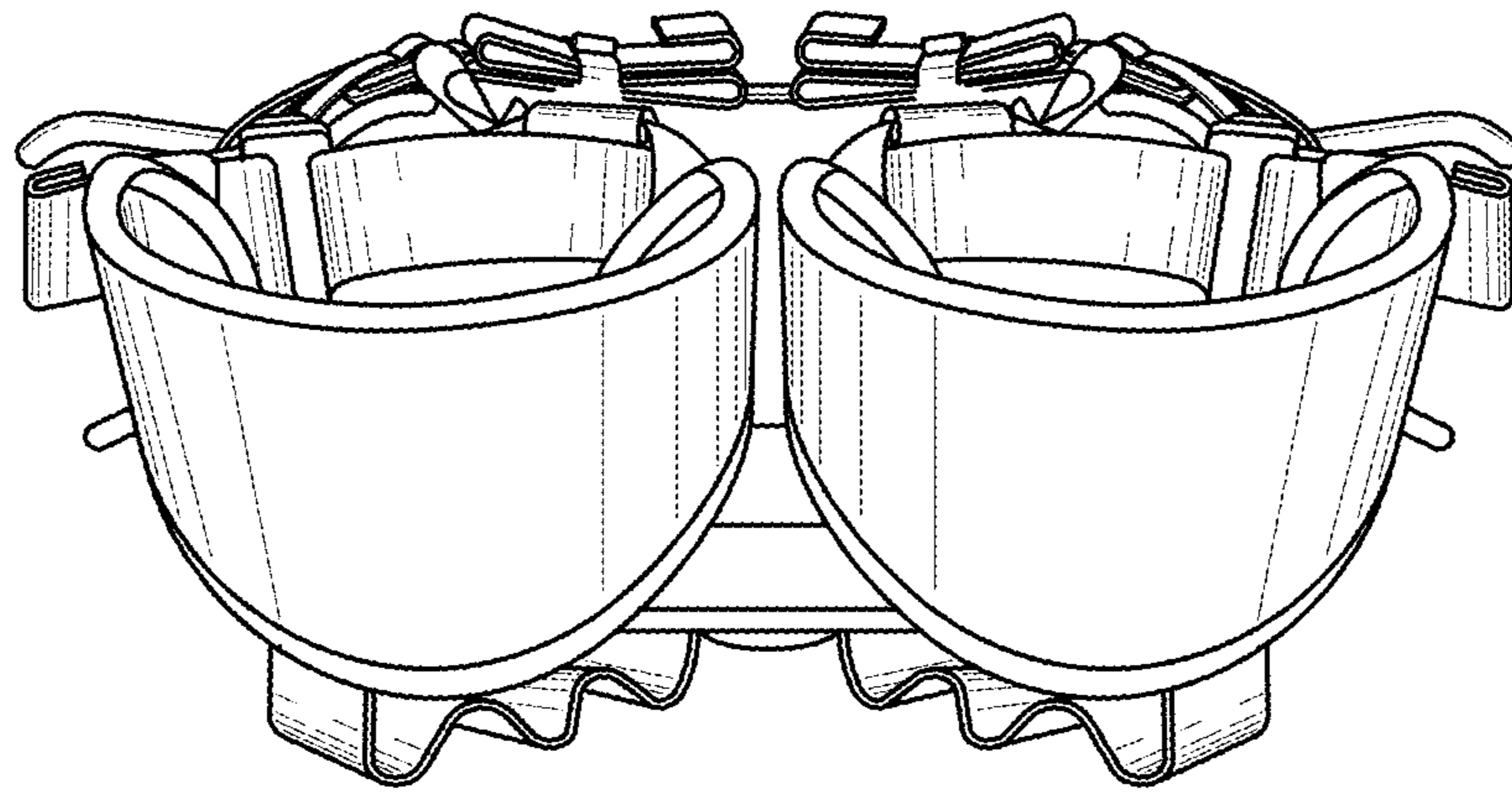


FIG. 5

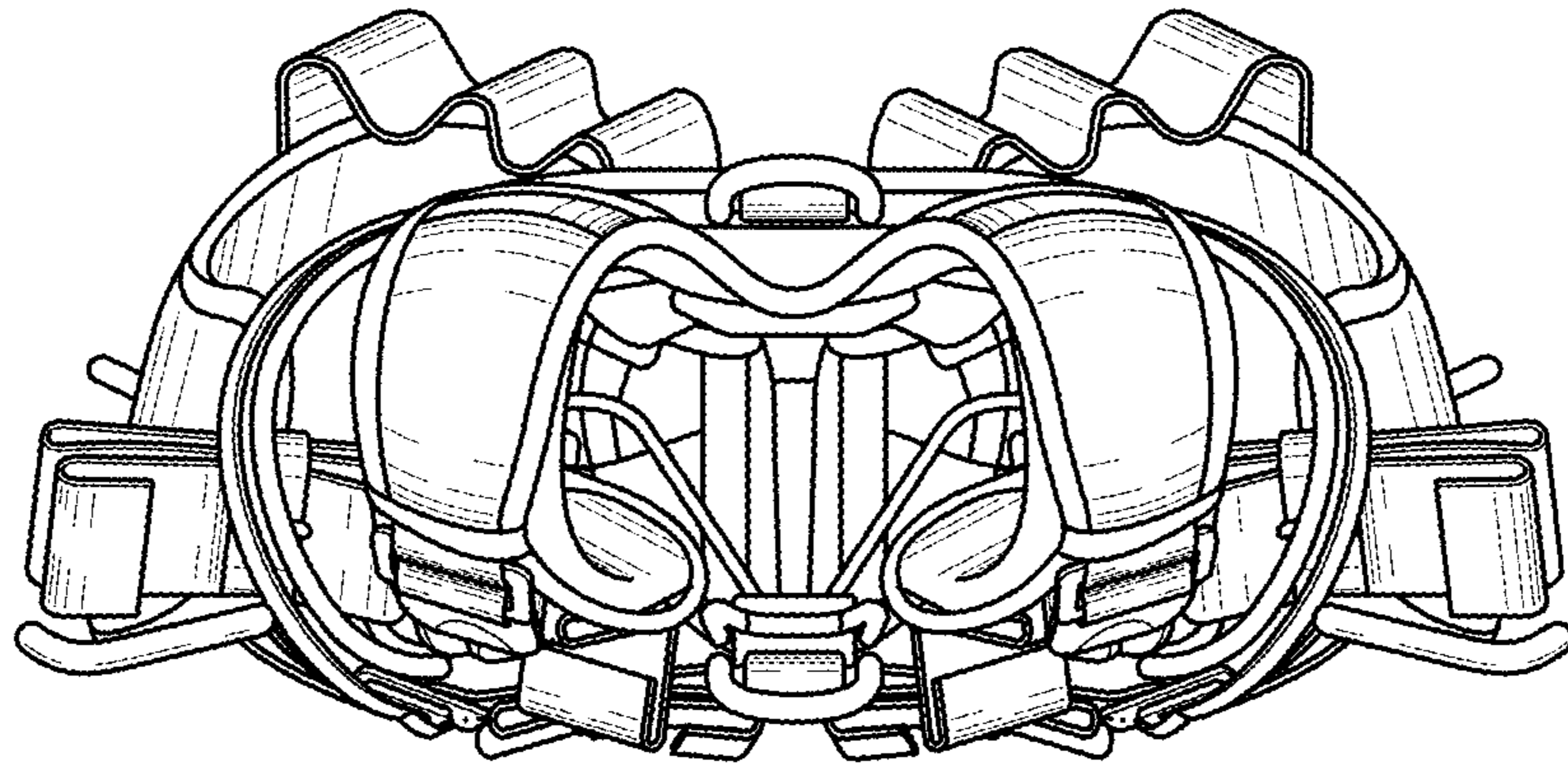


FIG. 6

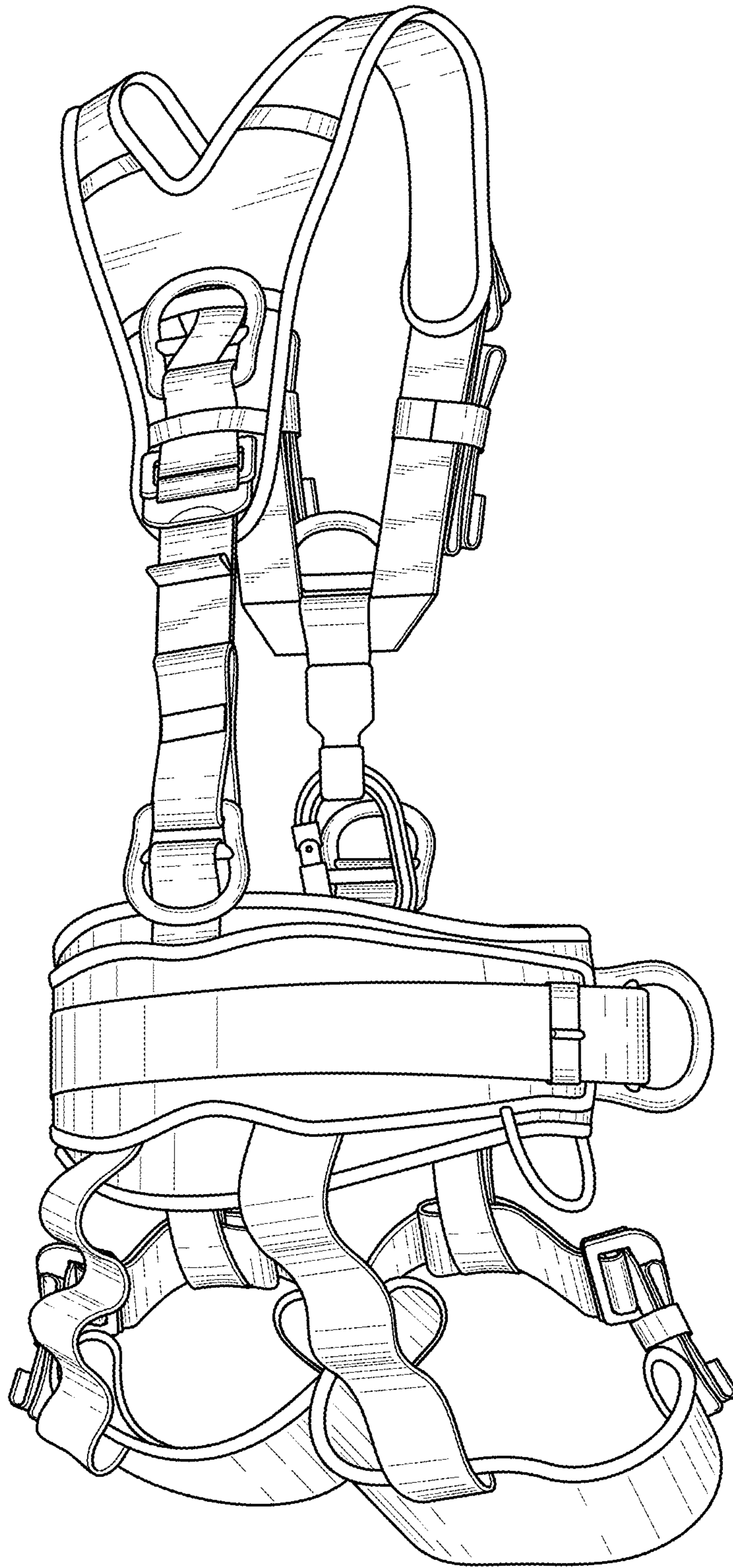


FIG. 7