



US00D977721S

(12) **United States Design Patent** (10) **Patent No.:** **US D977,721 S**
Johnson et al. (45) **Date of Patent:** **** Feb. 7, 2023**

(54) **COMBINED SERUM VIAL AND APPLICATOR**

FOREIGN PATENT DOCUMENTS

(71) Applicant: **Nicole Johnson**, Oakland Park, FL (US)

CN 113080599 A * 7/2021
CN 215423262 U * 1/2022 A45D 34/042
WO 2015143179 A1 9/2015

(72) Inventors: **Nicole Johnson**, Fort Lauderdale, FL (US); **Ruben Ferreira**, Weston, FL (US); **Alexis Enrique Novoa**, Fort Lauderdale, FL (US)

OTHER PUBLICATIONS

Sugarbear Lashcare Serum, www.sugarbearvitamincare.com, 1 page, reviewed as early as Jan. 2022 (Year: 2022).*

(**) Term: **15 Years**

Primary Examiner — Jennifer Rivard
(74) *Attorney, Agent, or Firm* — The Keys Law Firm PLLC

(21) Appl. No.: **29/810,590**

(57) **CLAIM**

(22) Filed: **Oct. 6, 2021**

The ornamental design for a combined serum vial and applicator, as shown and described.

(51) **LOC (14) Cl.** **28-03**

DESCRIPTION

(52) **U.S. Cl.**
USPC **D28/76; D28/7**

(58) **Field of Classification Search**
USPC D4/135, 127–128; D28/7, 76, 77;
D9/724

FIG. 1 is a front elevational view of a combined serum vial and applicator, showing our new design;
FIG. 2 is a rear elevational view thereof;
FIG. 3 is a right side elevational view thereof;
FIG. 4 is a left side elevational view thereof;
FIG. 5 is a front perspective view thereof;
FIG. 6 is a top plan view thereof;
FIG. 7 is a bottom plan view thereof;
FIG. 8 is an exploded front perspective view thereof;
FIG. 9 is an exploded rear perspective view thereof;
FIG. 10 is an enlarged view of the region circled as 10 within FIG. 8;
FIG. 11 is an enlarged view of the region circled as 11 within FIG. 8; and,
FIG. 12 is an enlarged view of the region circled as 12 within FIG. 9.

CPC A45D 40/262–267; A45D 34/042–048
See application file for complete search history.

(56) **References Cited**

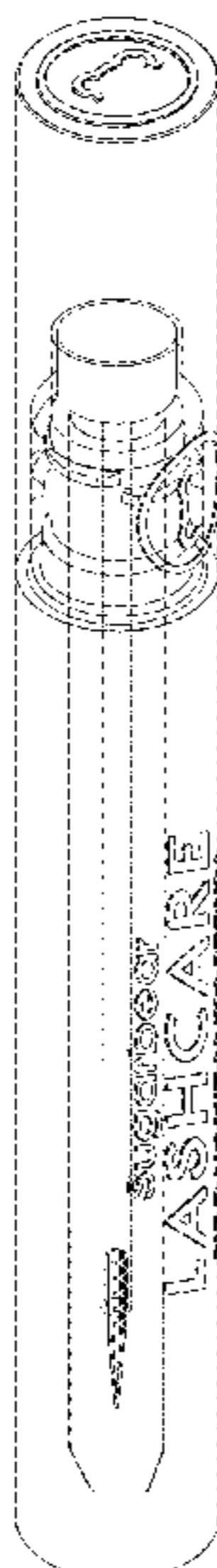
U.S. PATENT DOCUMENTS

4,572,224 A 2/1986 Rosenwinkel et al.
D293,472 S 12/1987 Chrones et al.
D350,851 S 9/1994 Spence
D450,931 S * 11/2001 Mink D4/135
6,523,548 B2 2/2003 Bouix et al.
6,799,582 B2 10/2004 Kim
D566,336 S 4/2008 Althoff et al.
D572,604 S 7/2008 Garofano et al.
D616,151 S 5/2010 Kojima et al.
D616,608 S 5/2010 Maddy
D633,653 S 3/2011 Lee
D644,378 S 8/2011 Mongeon et al.
D659,907 S 5/2012 Lin
D659,908 S * 5/2012 Lin D9/504

The phrase “Sugarbear Lashcare” and the bear symbol forming part of the claimed design are registered trademarks or property of Besweet Creations Inc.
The broken lines reference the enlarged, partial views and form no part of the claimed design.

(Continued)

1 Claim, 12 Drawing Sheets



(56)

References Cited

U.S. PATENT DOCUMENTS

D663,483	S	7/2012	Lee	
D666,732	S	9/2012	Caggiano et al.	
D740,491	S	10/2015	Albertini	
D742,588	S	11/2015	Cutler	
D762,393	S	8/2016	Hong et al.	
D781,716	S	3/2017	O'Connell et al.	
D786,081	S	5/2017	Albertini	
RE46,542	E	9/2017	Chambers et al.	
D845,132	S	4/2019	Otani	
D866,077	S	11/2019	Hosseini	
2007/0193600	A1	8/2007	Garofano et al.	
2008/0302380	A1	12/2008	Morales	
2017/0202337	A1*	7/2017	Takahashi	A45D 34/042
2020/0187625	A1*	6/2020	Toussaint	A45D 40/265
2020/0245744	A1*	8/2020	Park	A45D 34/045
2022/0218090	A1*	7/2022	Waki	A46B 9/026

* cited by examiner

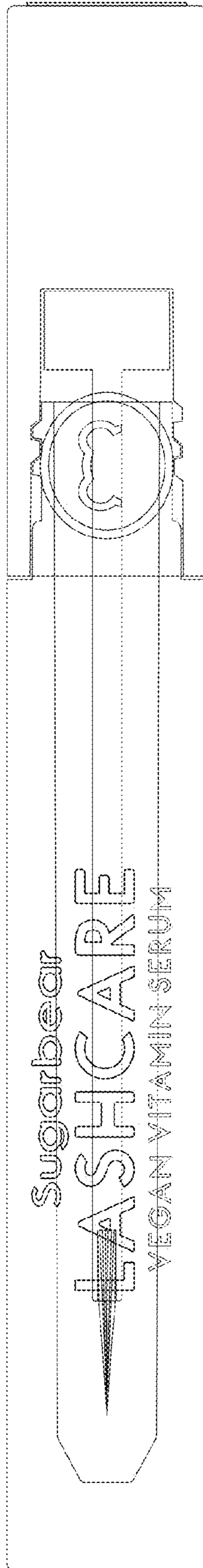


FIG. 1

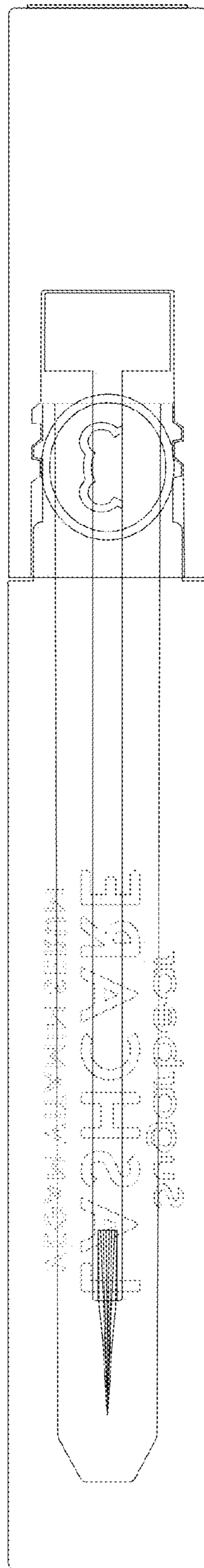


FIG. 2

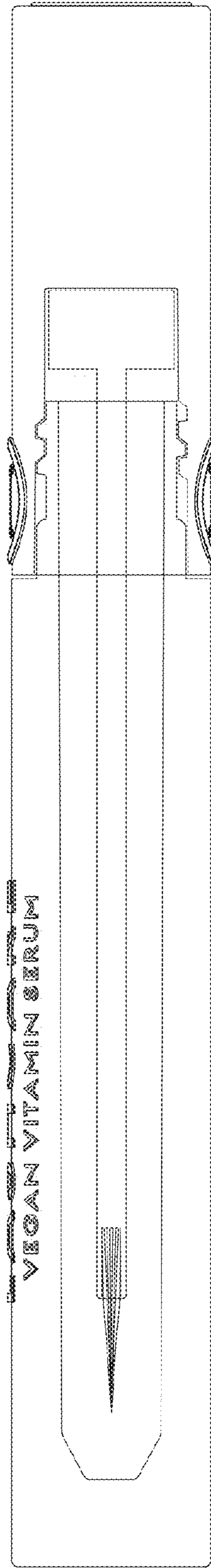


FIG. 3

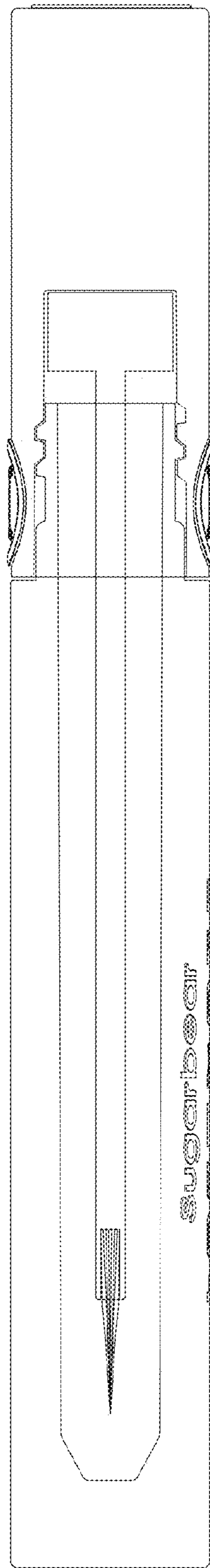


FIG. 4

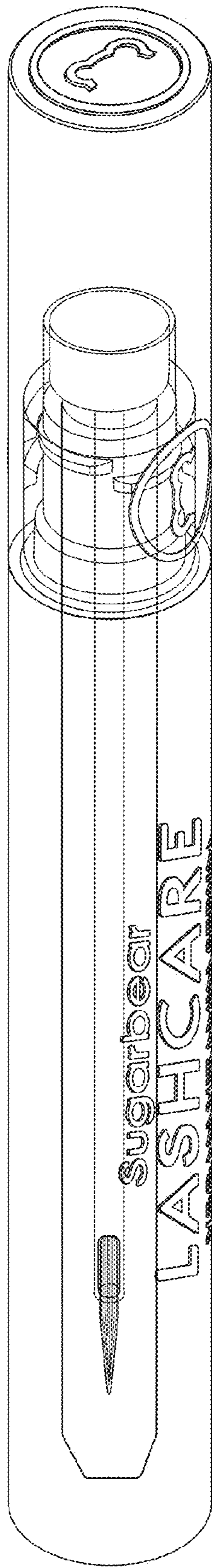


FIG. 5

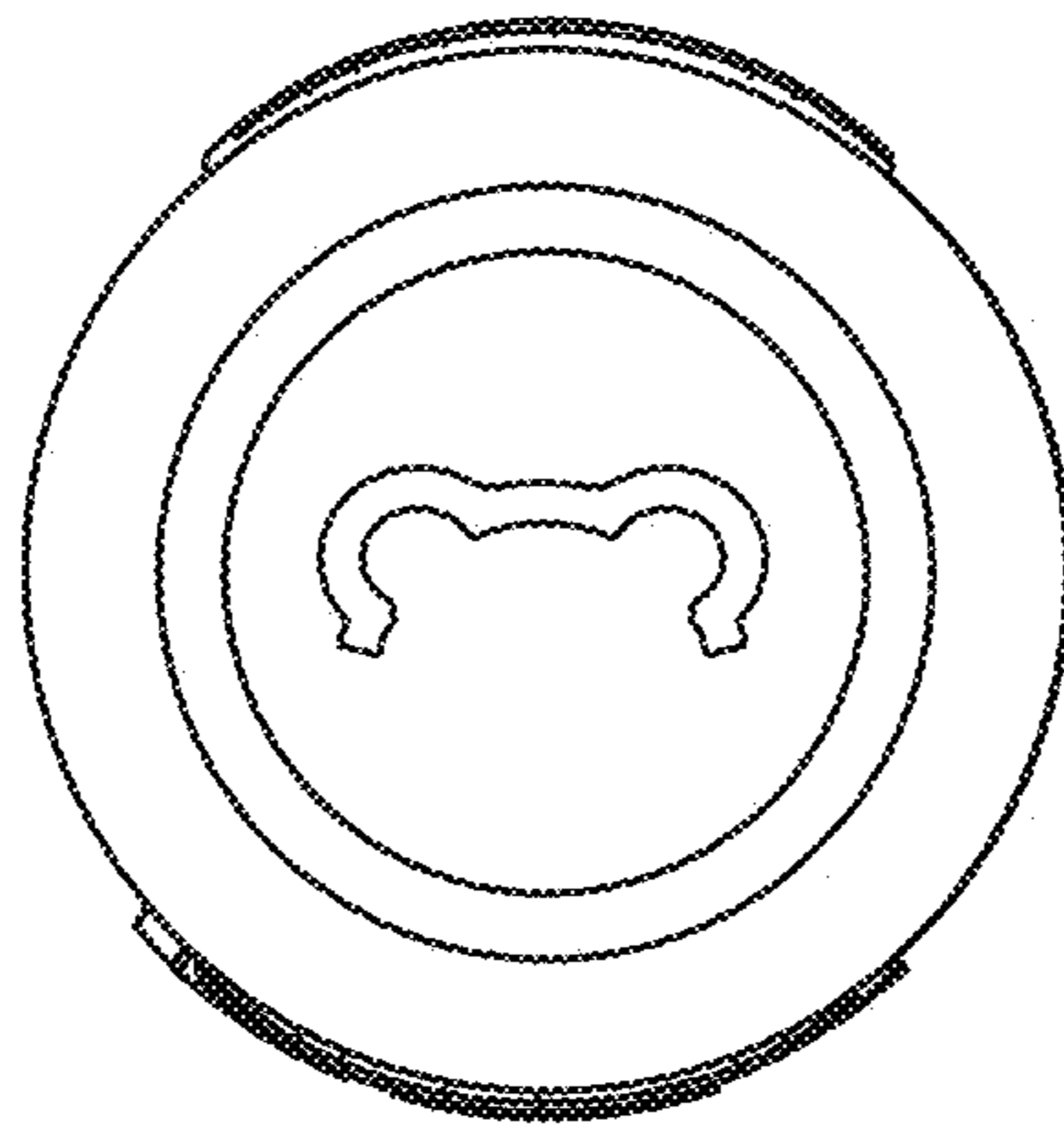


FIG. 6

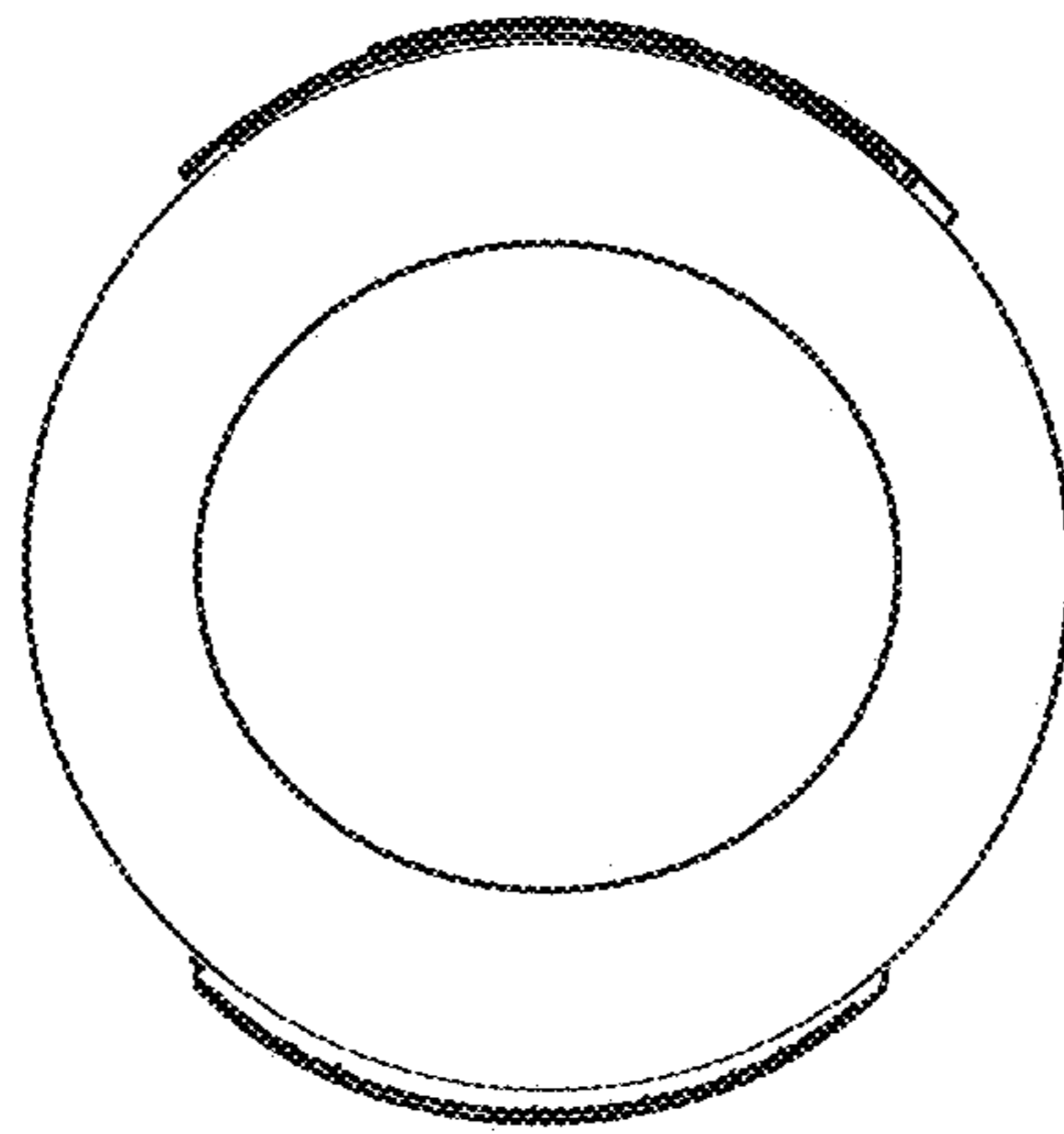


FIG. 7

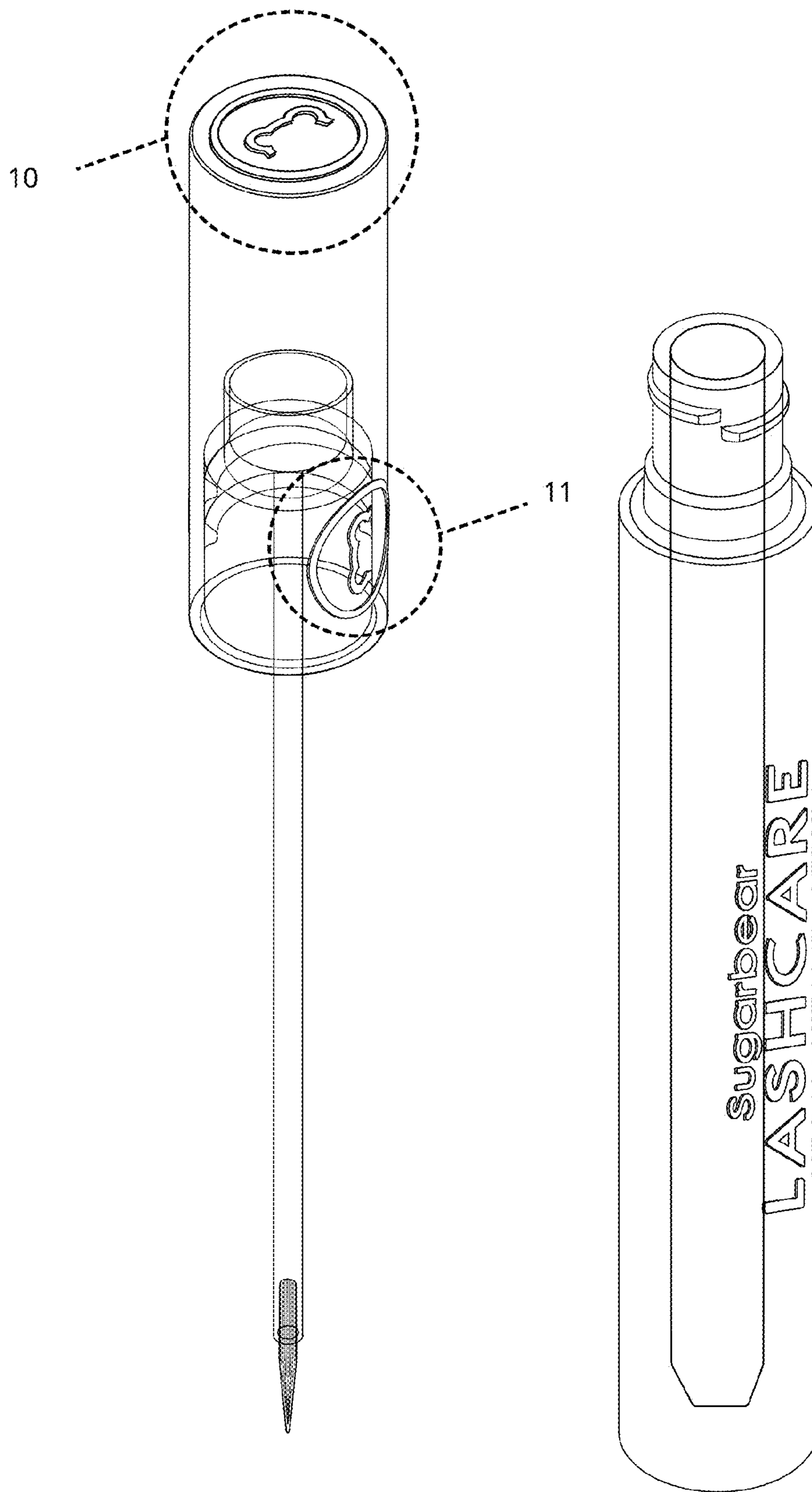


FIG. 8

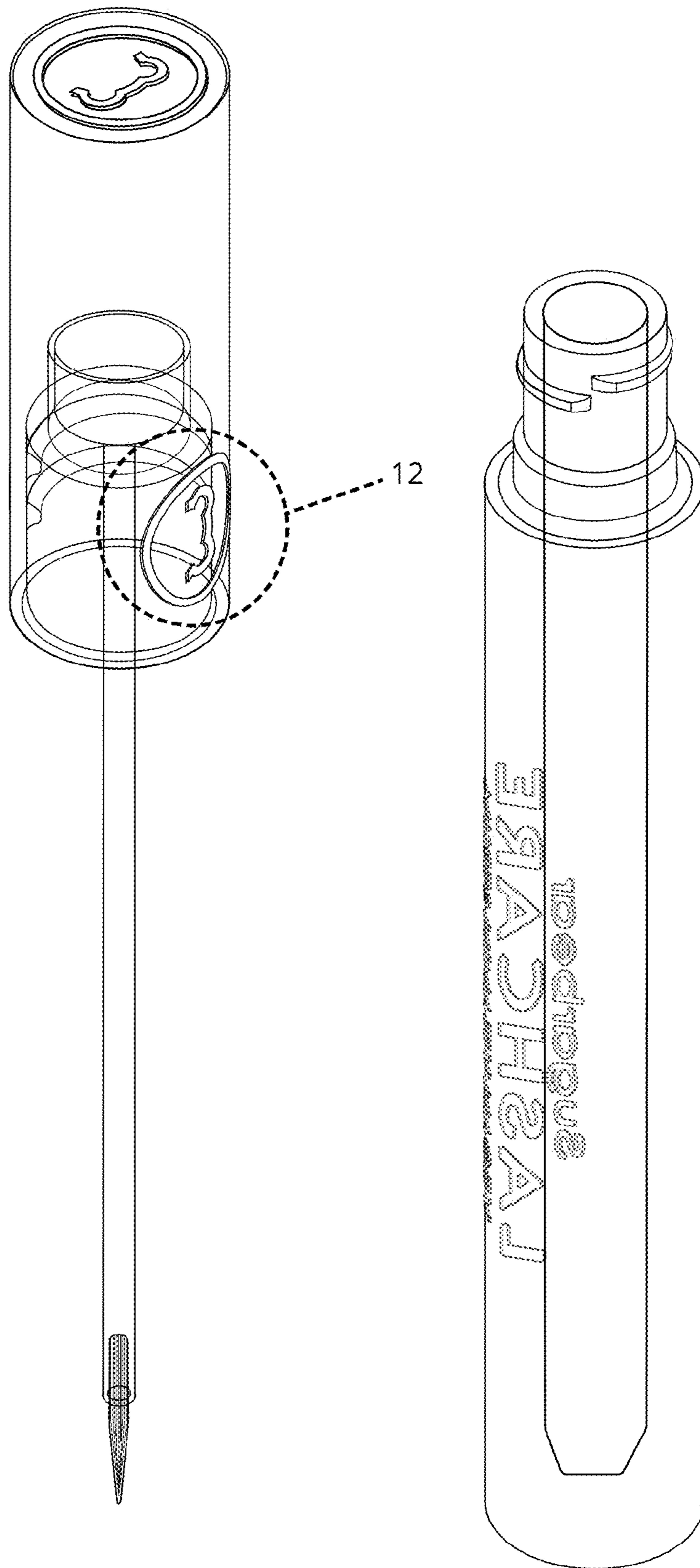


FIG. 9

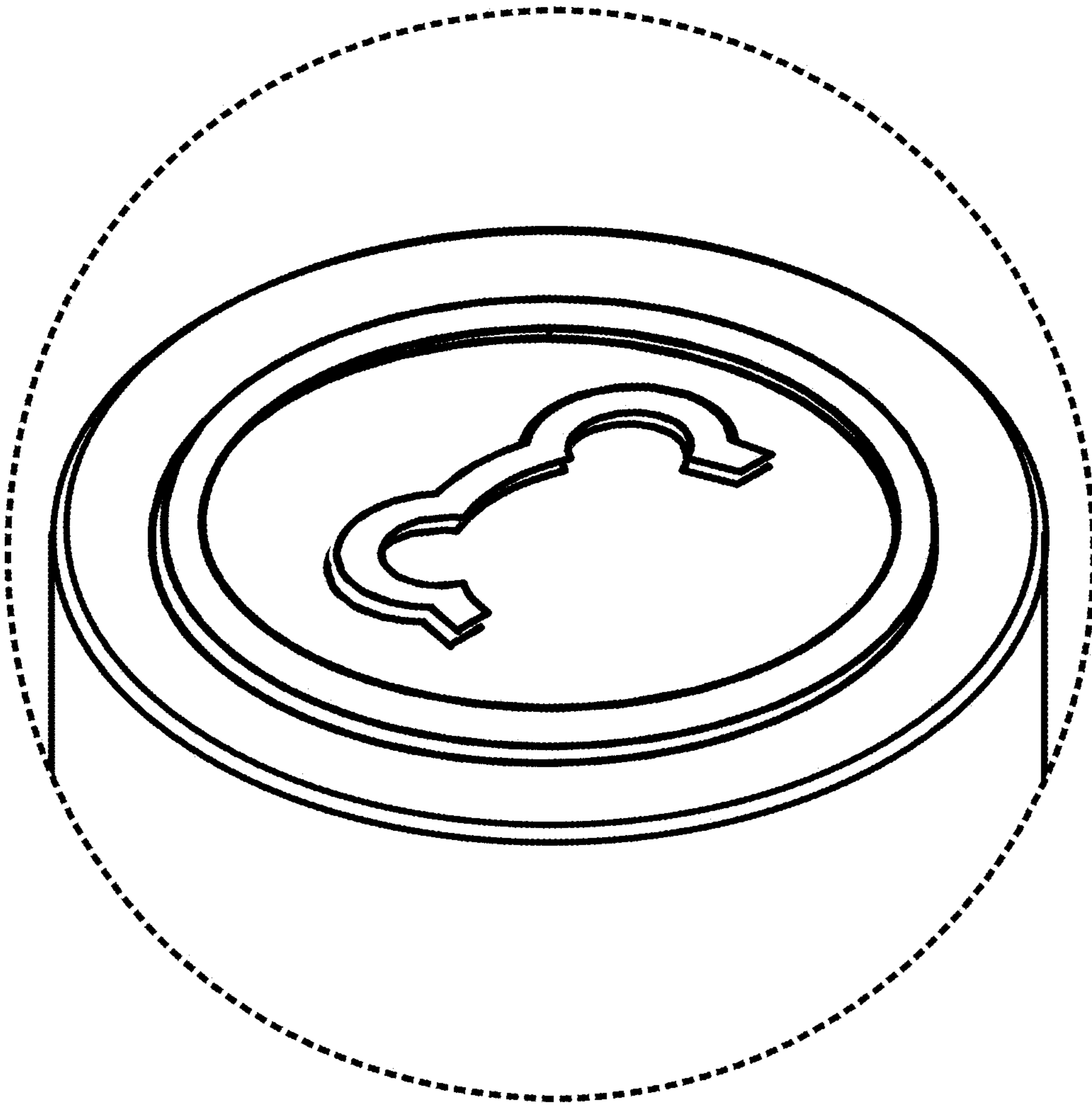


FIG. 10

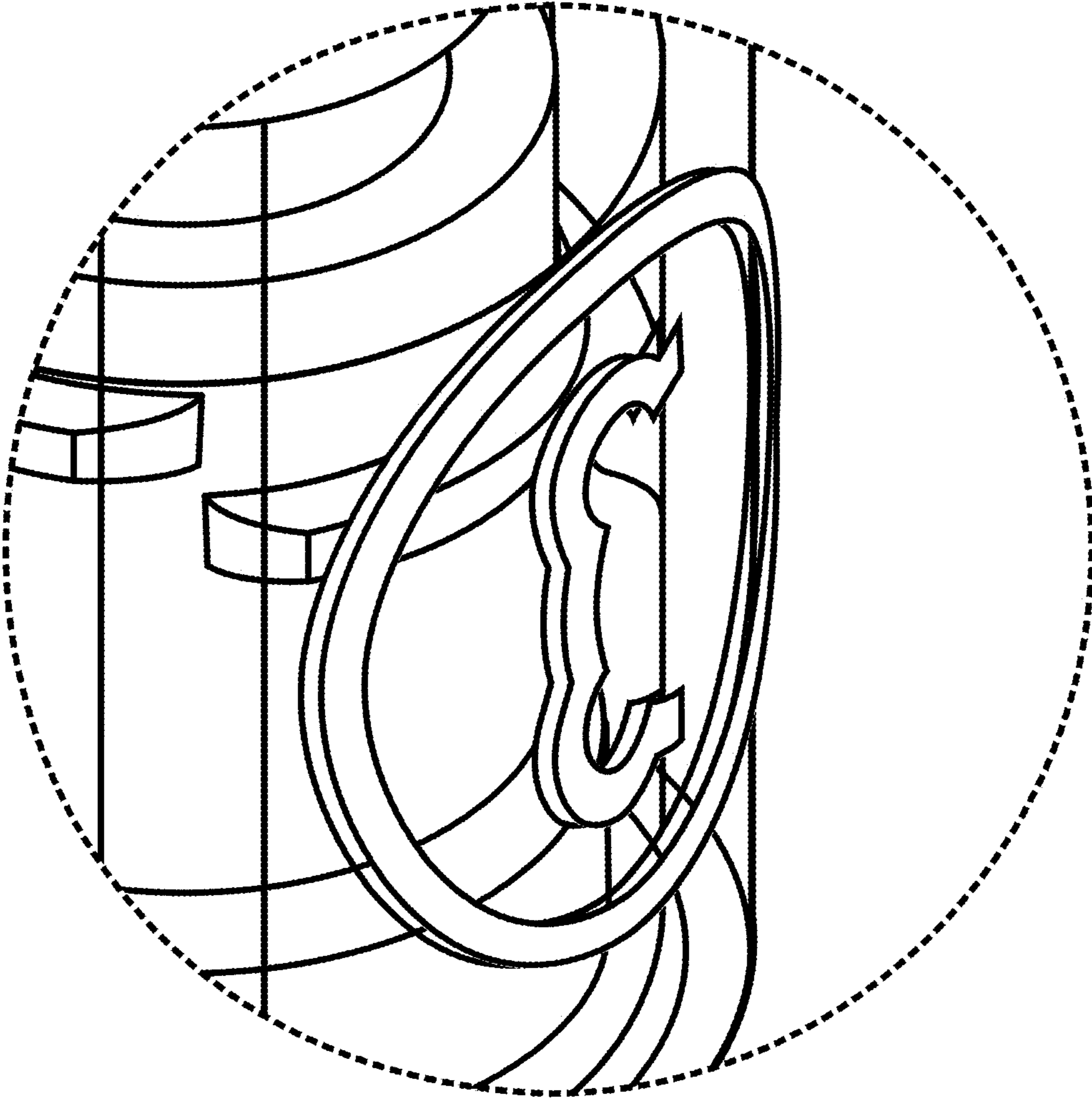


FIG. 11

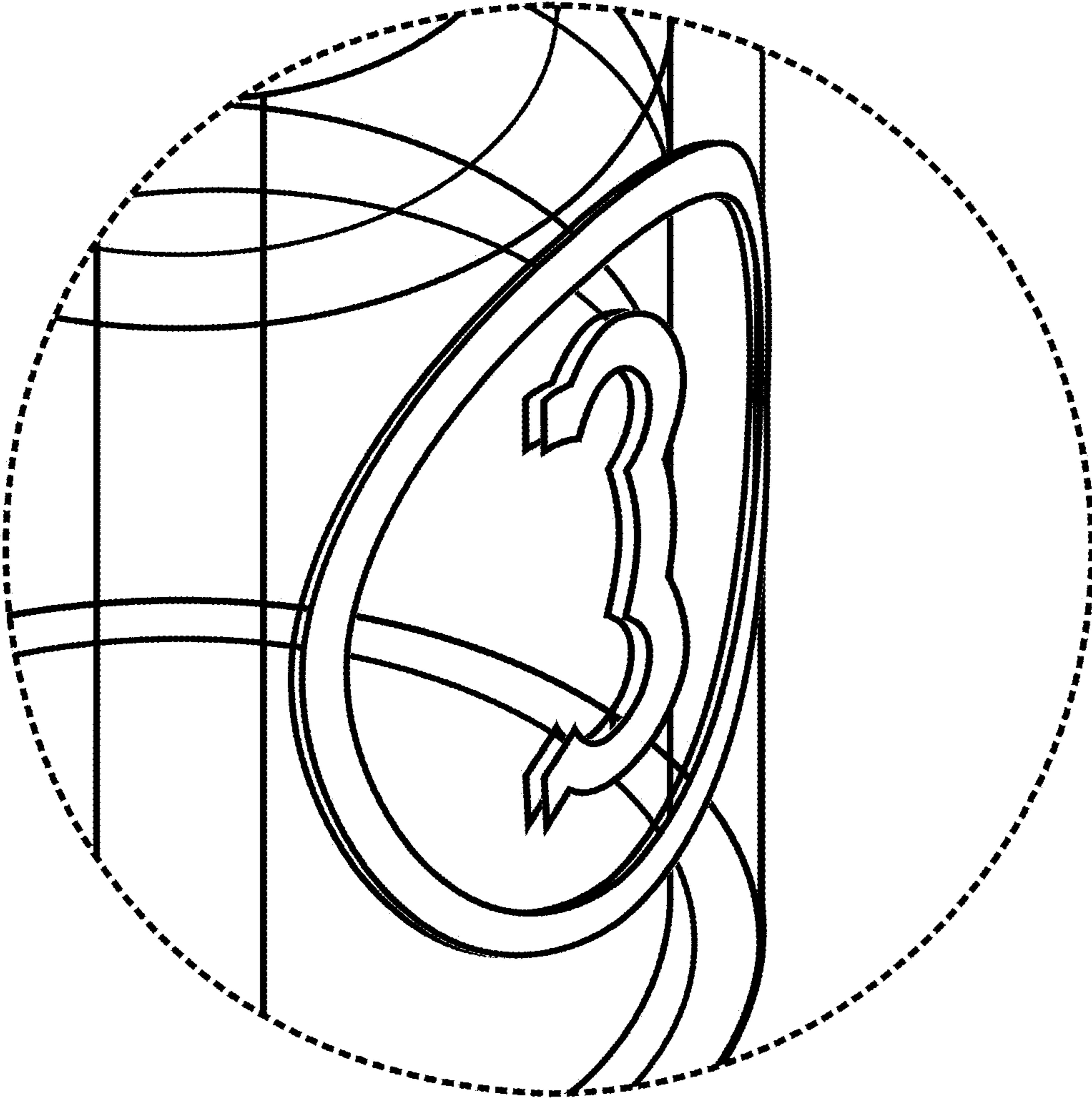


FIG. 12