



US00D977719S

(12) **United States Design Patent** (10) **Patent No.:** **US D977,719 S**
Zhu (45) **Date of Patent:** **** Feb. 7, 2023**

(54) **ELECTRIC SHAVER**
 (71) Applicant: **Yiwu Lehman Electronic Technology Co., Ltd., Yiwu (CN)**
 (72) Inventor: **Xiang Zhu, Jinhua (CN)**

D921,985 S 6/2021 Goeder
 D922,682 S 6/2021 Sikora
 D959,055 S * 7/2022 Huang D28/51
 D961,160 S 8/2022 Sikora
 D963,245 S 9/2022 Goeder
 D967,537 S * 10/2022 Kong D28/51
 D968,024 S * 10/2022 Qiu D28/49

(**) Term: **15 Years**

FOREIGN PATENT DOCUMENTS

(21) Appl. No.: **29/858,316**
 (22) Filed: **Oct. 31, 2022**
 (51) **LOC (14) Cl.** **28-03**
 (52) **U.S. Cl.**
 USPC **D28/49**
 (58) **Field of Classification Search**
 USPC D28/49–54
 CPC B26B 19/384–3893; B26B 19/38–3826;
 B26B 19/26–265; B26B 19/00–107
 See application file for complete search history.

CN 112109118 A * 12/2020 B26B 19/06
 CN 113601558 A * 11/2021
 CN 114083582 A * 2/2022

* cited by examiner

Primary Examiner — Jennifer Rivard
 (74) *Attorney, Agent, or Firm* — Rumi Ranjit Kanakia

(56) **References Cited**

U.S. PATENT DOCUMENTS

D326,166 S * 5/1992 Yanagida D28/49
 D359,581 S * 6/1995 Ullmann D28/51
 D405,230 S 2/1999 Akashi
 D409,334 S 5/1999 Pallo
 D447,284 S * 8/2001 Micinilio D28/49
 D447,601 S * 9/2001 Andrew D28/49
 D453,857 S 2/2002 Hara
 D477,113 S * 7/2003 Muramatsu D28/51
 D479,361 S * 9/2003 Micinilio D28/49
 D482,822 S * 11/2003 Buck, Jr. D28/49
 D718,900 S 12/2014 Kikuchi
 D799,118 S 10/2017 Ino
 D818,646 S * 5/2018 Szymanski D28/51
 D893,102 S * 8/2020 Jiang D28/53
 D911,615 S * 2/2021 Xiao D28/53
 D914,979 S * 3/2021 Fleming D28/51

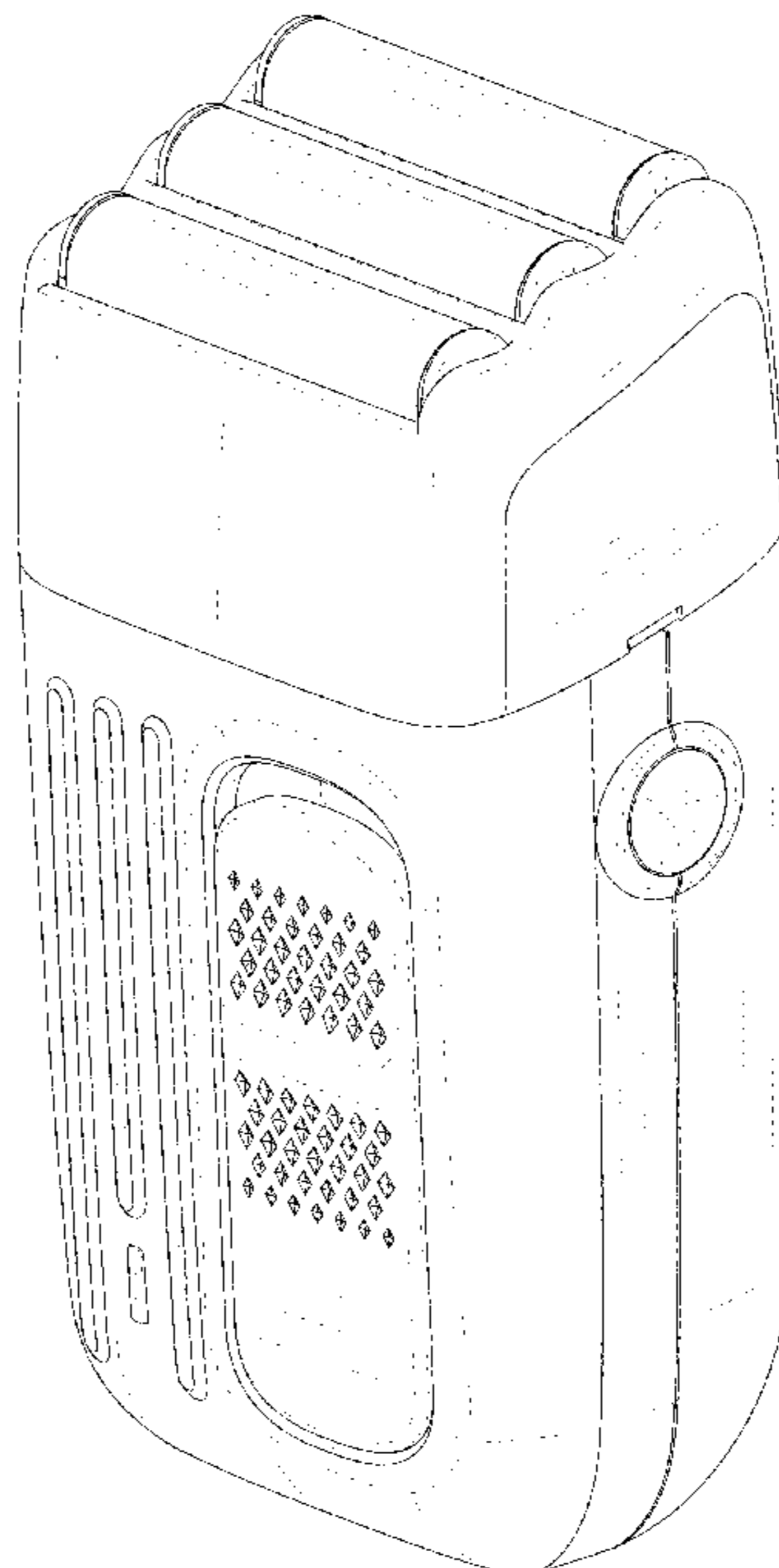
(57) **CLAIM**

The ornamental design for an electric shaver, as shown and described.

DESCRIPTION

FIG. 1 is a front perspective view of a electric shaver, showing my new design;
 FIG. 2 is a rear perspective view thereof;
 FIG. 3 is a front elevational view thereof;
 FIG. 4 is a rear elevational view thereof;
 FIG. 5 is a left side view thereof;
 FIG. 6 is a right side view thereof;
 FIG. 7 is a top plan view thereof; and,
 FIG. 8 is a bottom plan view thereof.
 The broken lines in the figures are for the purposes of illustrating portions of the electric shaver, which form no part of the claimed design.

1 Claim, 7 Drawing Sheets



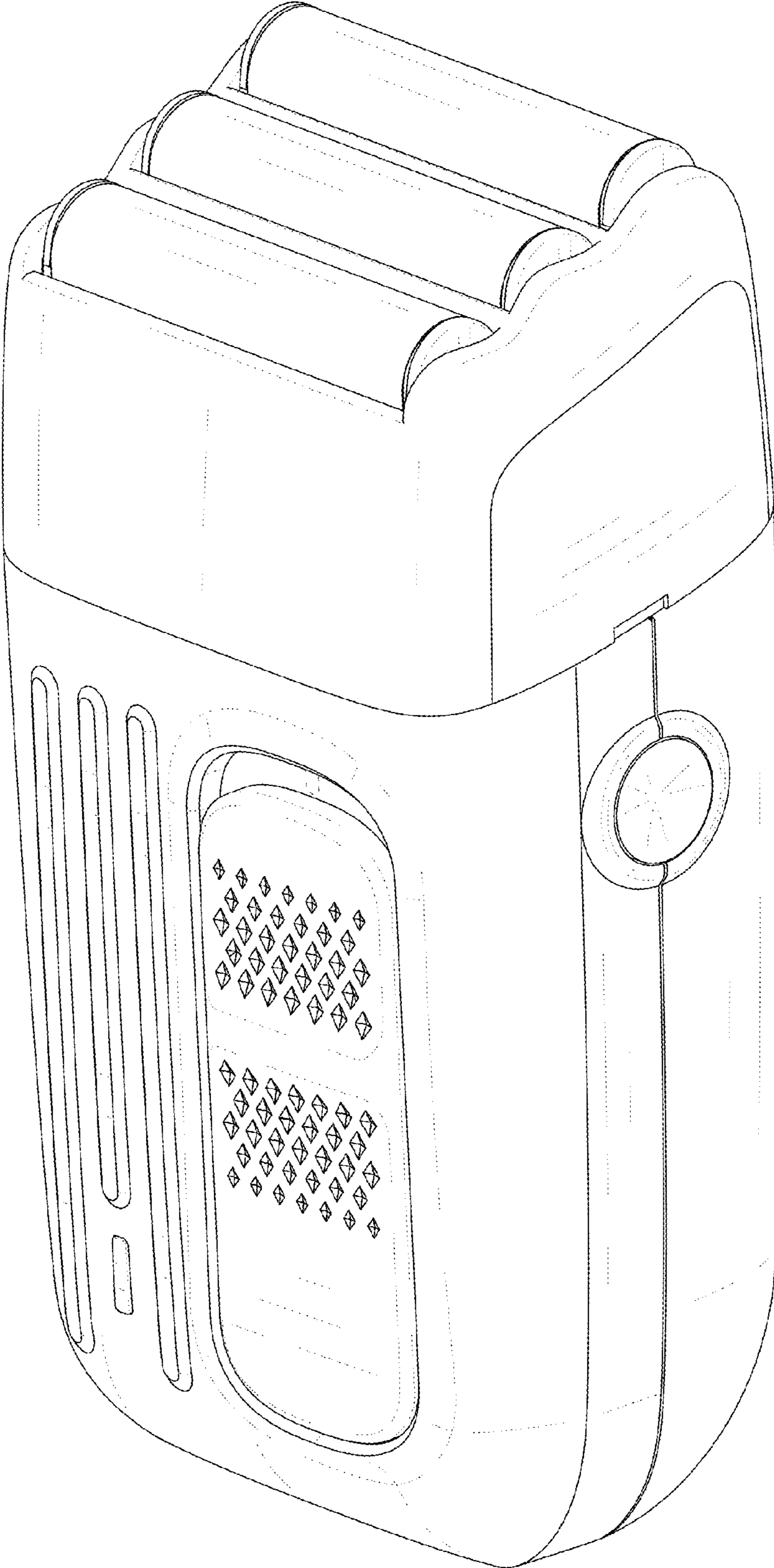


FIG. 1

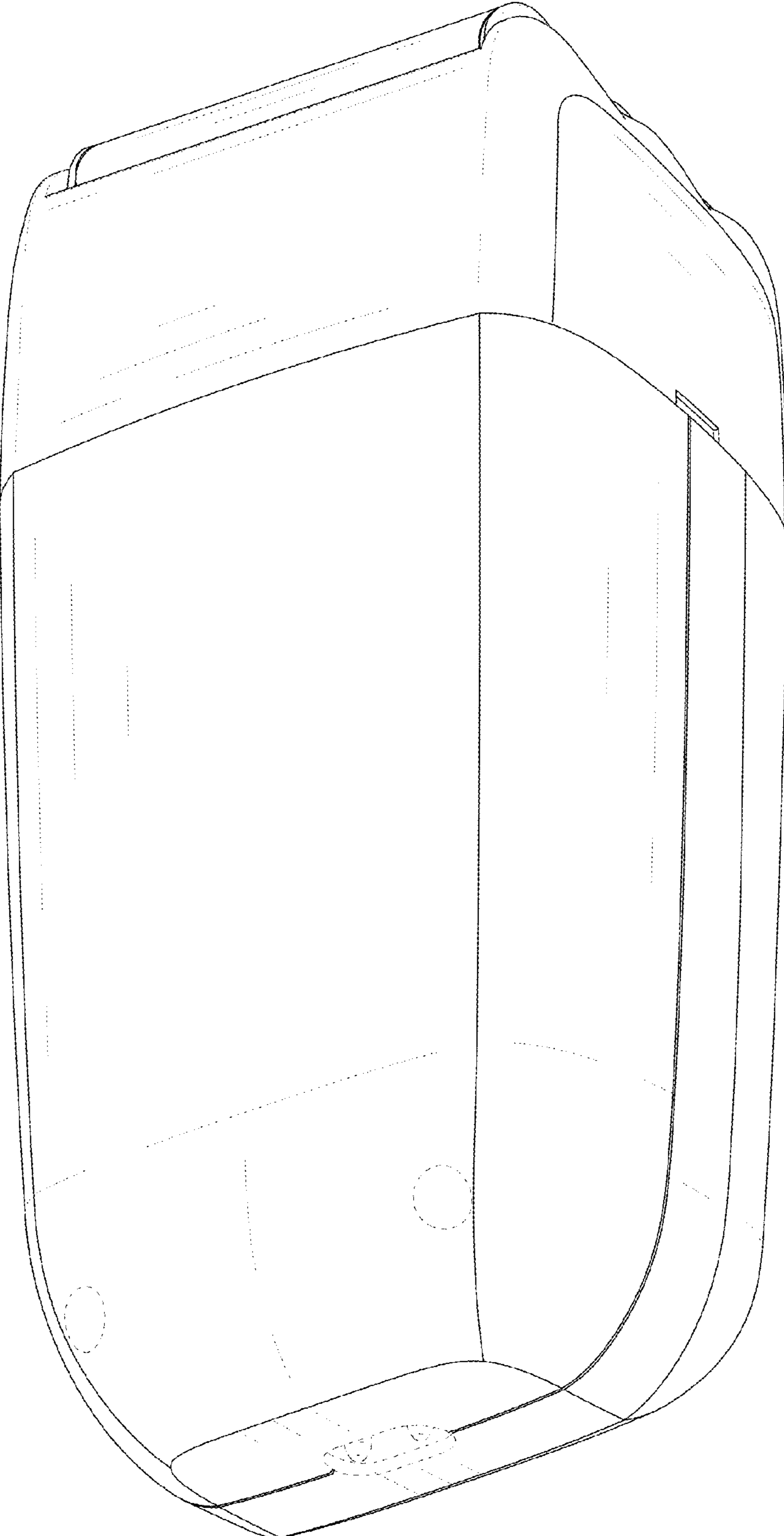


FIG. 2

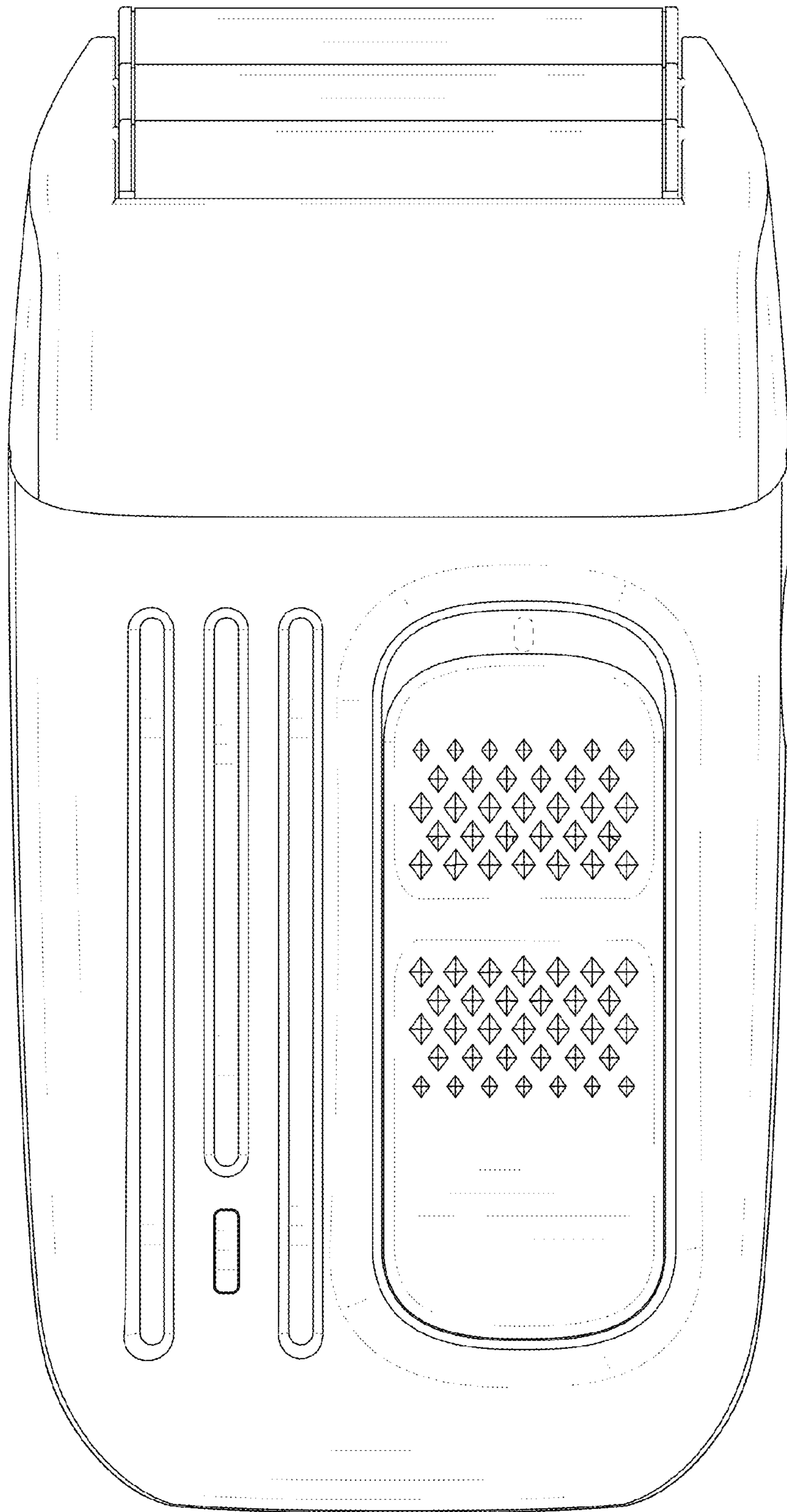


FIG. 3

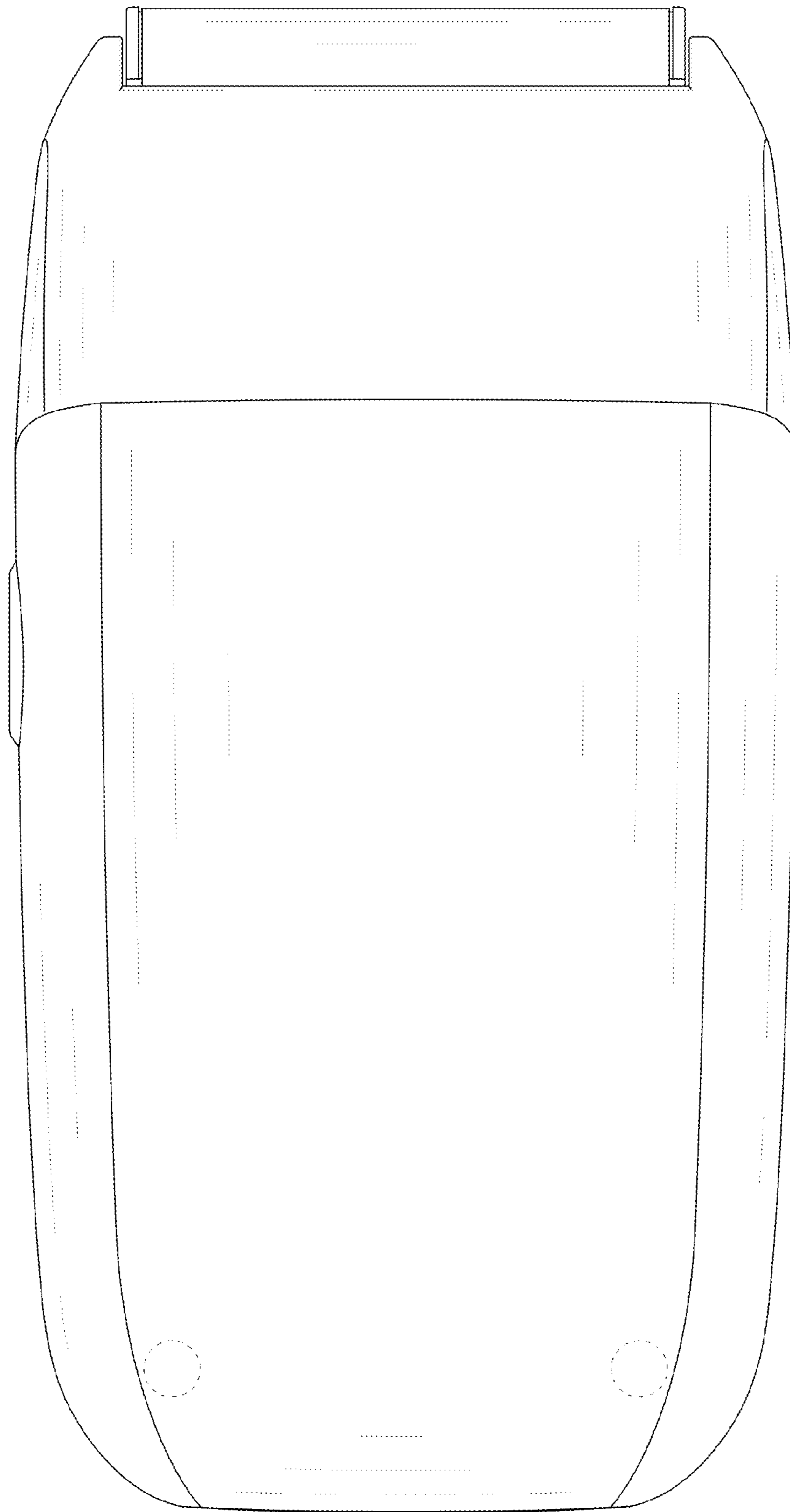


FIG. 4

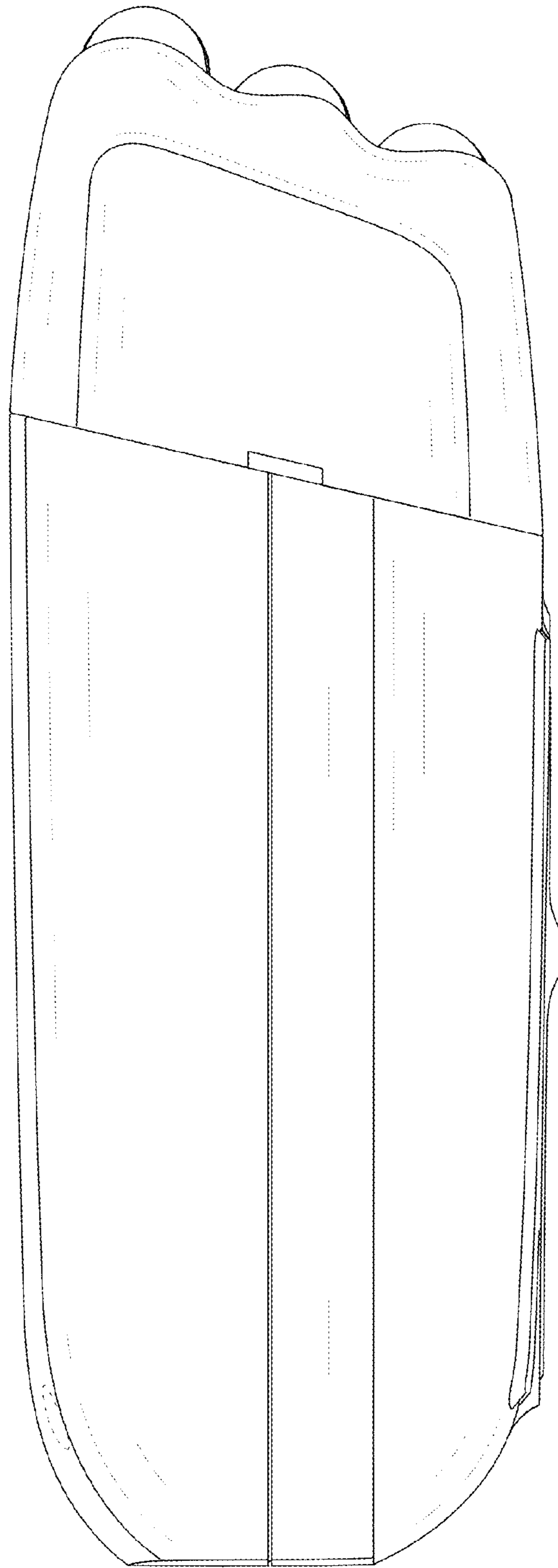


FIG. 5

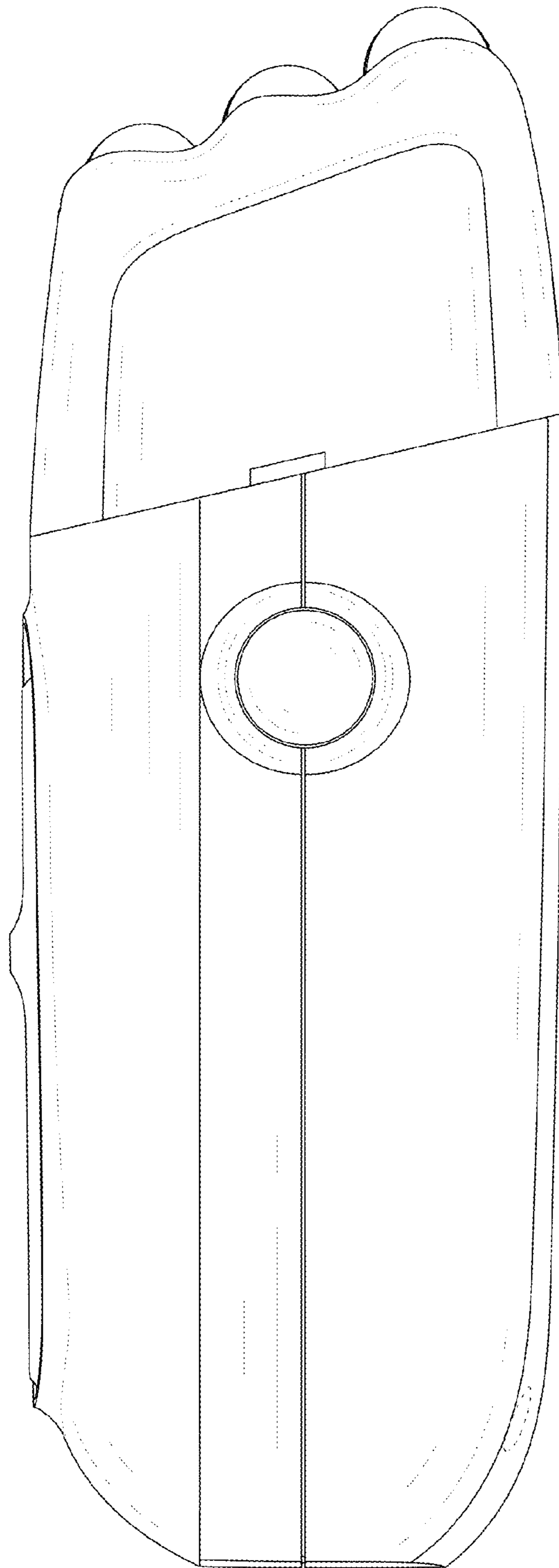


FIG. 6

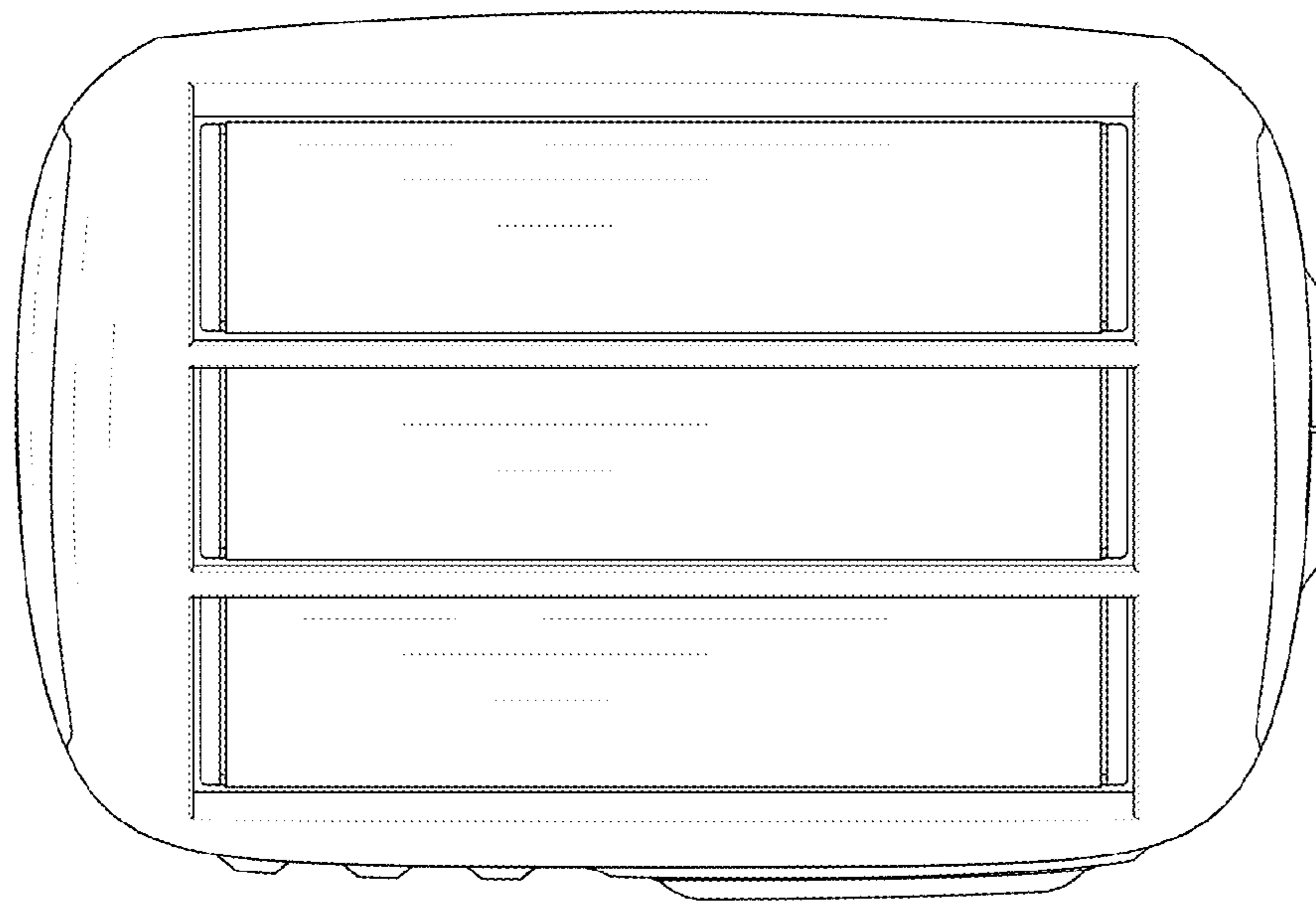


FIG. 7

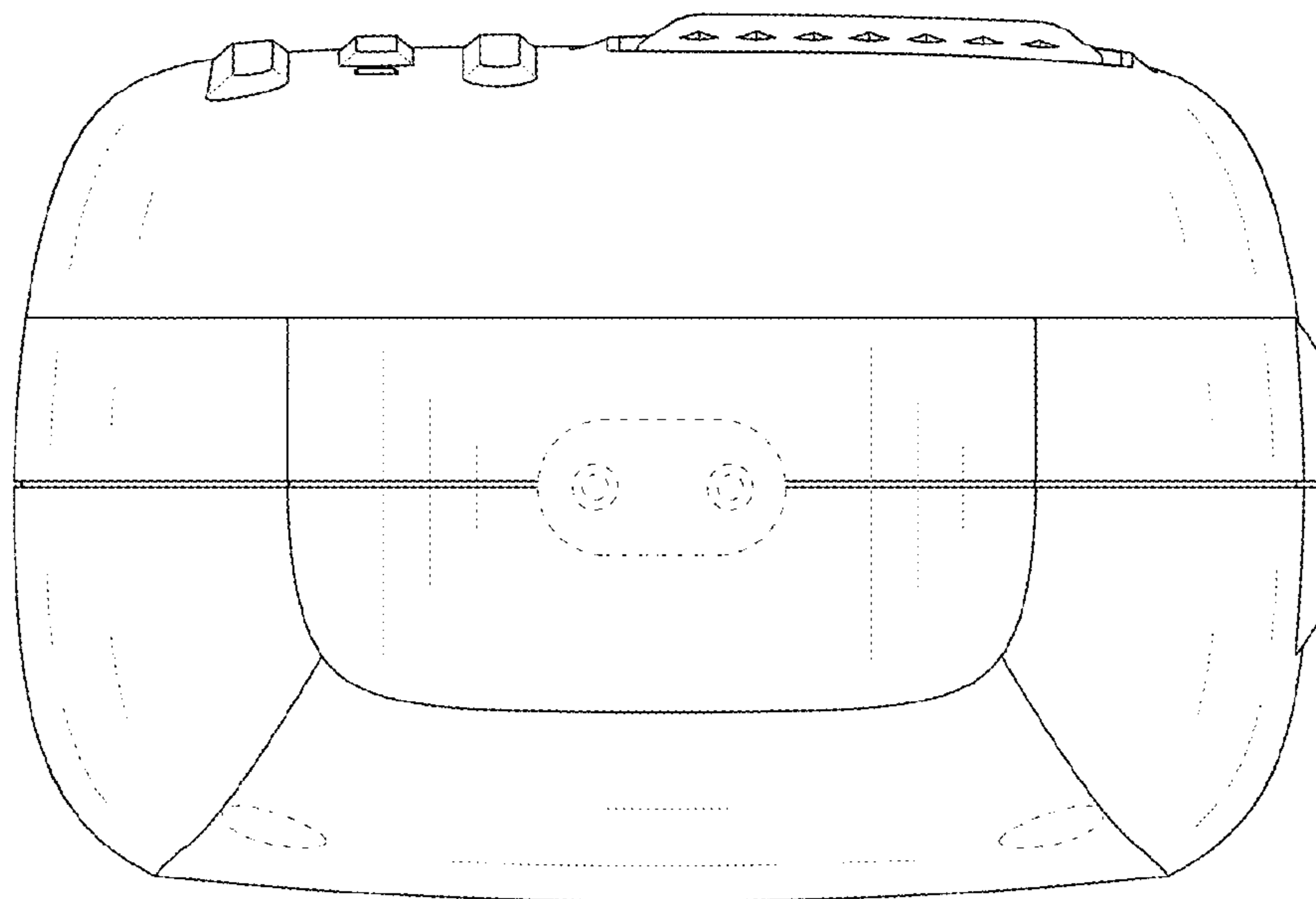


FIG. 8